



US00D526140S

(12) **United States Design Patent**
Cook

(10) **Patent No.:** **US D526,140 S**

(45) **Date of Patent:** **** Aug. 8, 2006**

(54) **BED**

(75) Inventor: **Eric A. Cook**, Onalaska, WI (US)

(73) Assignee: **Ashley Furniture Industries, Inc.**,
Arcadia, WI (US)

(**) Term: **14 Years**

(21) Appl. No.: **29/222,942**

(22) Filed: **Feb. 4, 2005**

(51) **LOC (8) Cl.** **06-01**

(52) **U.S. Cl.** **D6/393**

(58) **Field of Classification Search** D6/382,
D6/389, 392-395, 505-508; 5/53.1, 907,
5/279.1, 280, 281, 310

See application file for complete search history.

(56) **References Cited**

U.S. PATENT DOCUMENTS

D243,987 S	4/1977	Carter	
D376,276 S	12/1996	Good	
D388,984 S	* 1/1998	Wanek et al.	D6/505
D417,973 S	12/1999	Lacroix et al.	
D431,388 S	10/2000	Zorzetto	
D431,730 S	10/2000	Zorzetto	
D443,772 S	6/2001	Champion	
D451,696 S	12/2001	Boerner et al.	
D466,716 S	12/2002	Tobin, Jr.	
D488,317 S	4/2004	Wanek et al.	
D497,067 S	10/2004	Cook	
D499,587 S	12/2004	Cook	

OTHER PUBLICATIONS

Ashley Product Photograph, p. 38 (2003) B199-81-92(2) Saturn.

Ashley Product Photograph, p. 39 (2003) B201-81-92 Matrix.

* cited by examiner

Primary Examiner—Janice Seeger

(74) *Attorney, Agent, or Firm*—Patterson, Thunte, Skaar & Christensen, P.A.

(57) **CLAIM**

I claim the ornamental design for bed, as shown and described.

DESCRIPTION

FIG. 1 is a perspective view of a bed according to an embodiment of the invention. The view from the front left side being a mirror image thereof.

FIG. 2 is a plan view of a bed according to an embodiment of the invention.

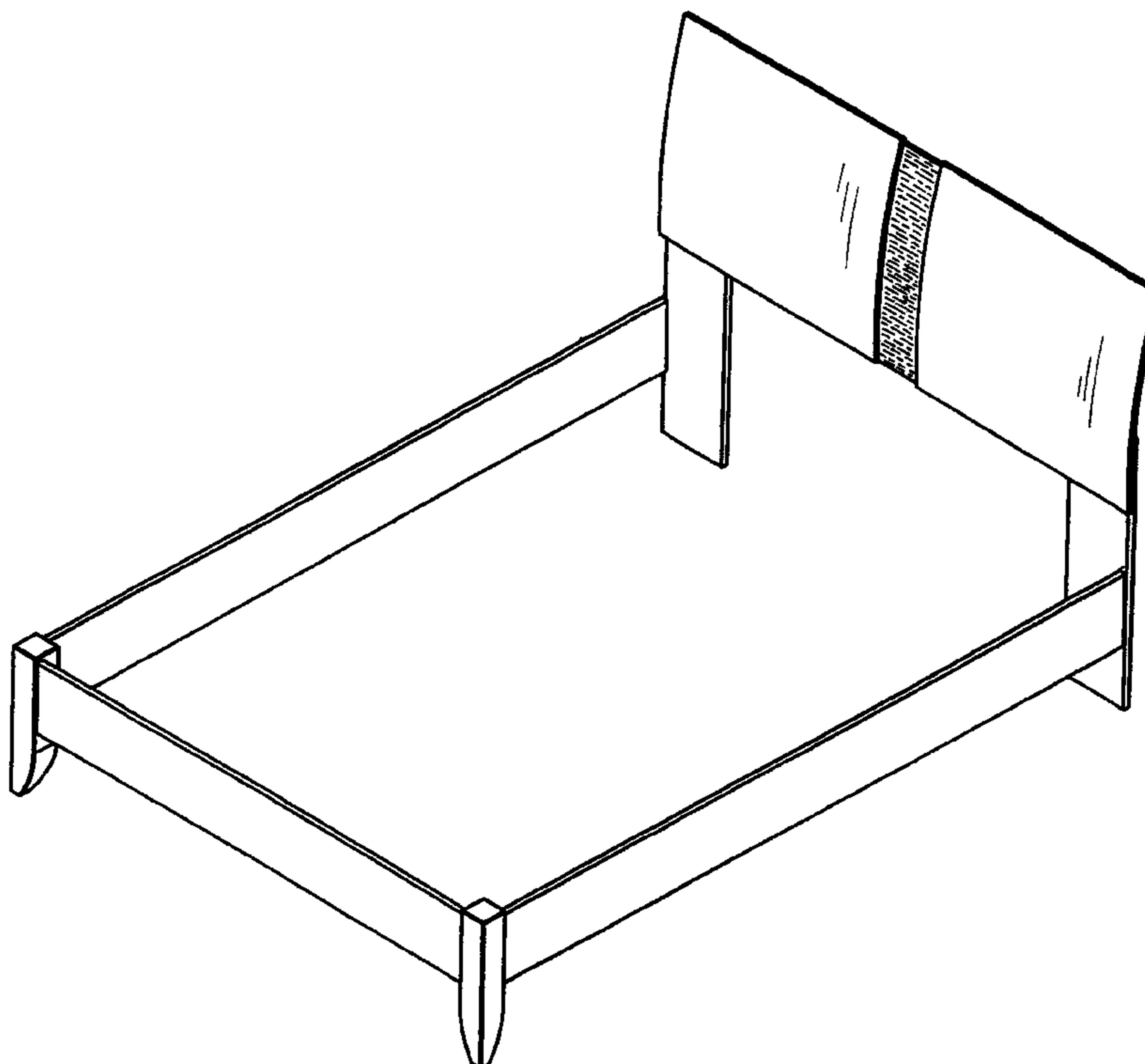
FIG. 3 is a side elevational view of a bed according to an embodiment of the invention. The elevational view of the opposite side being a mirror image thereof; and,

FIG. 4 is a front elevational view of a bed according to an embodiment of the invention.

The back side and bottom side of the headboard and foot board are not shown and are not claimed as part of the invention.

The surface shading in the center panel of the headboard depicts the color gray/silver.

1 Claim, 4 Drawing Sheets



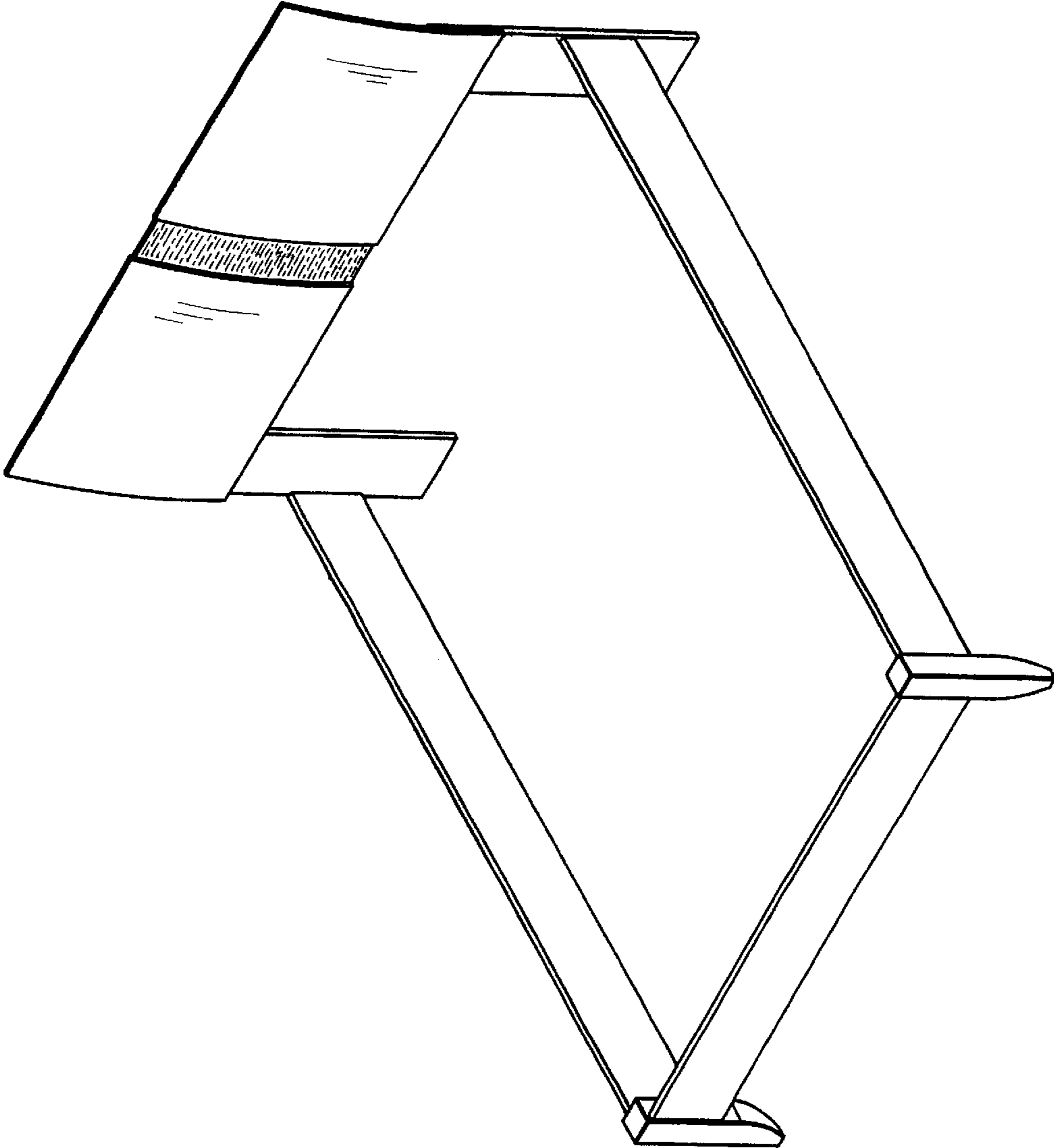


Fig. 1

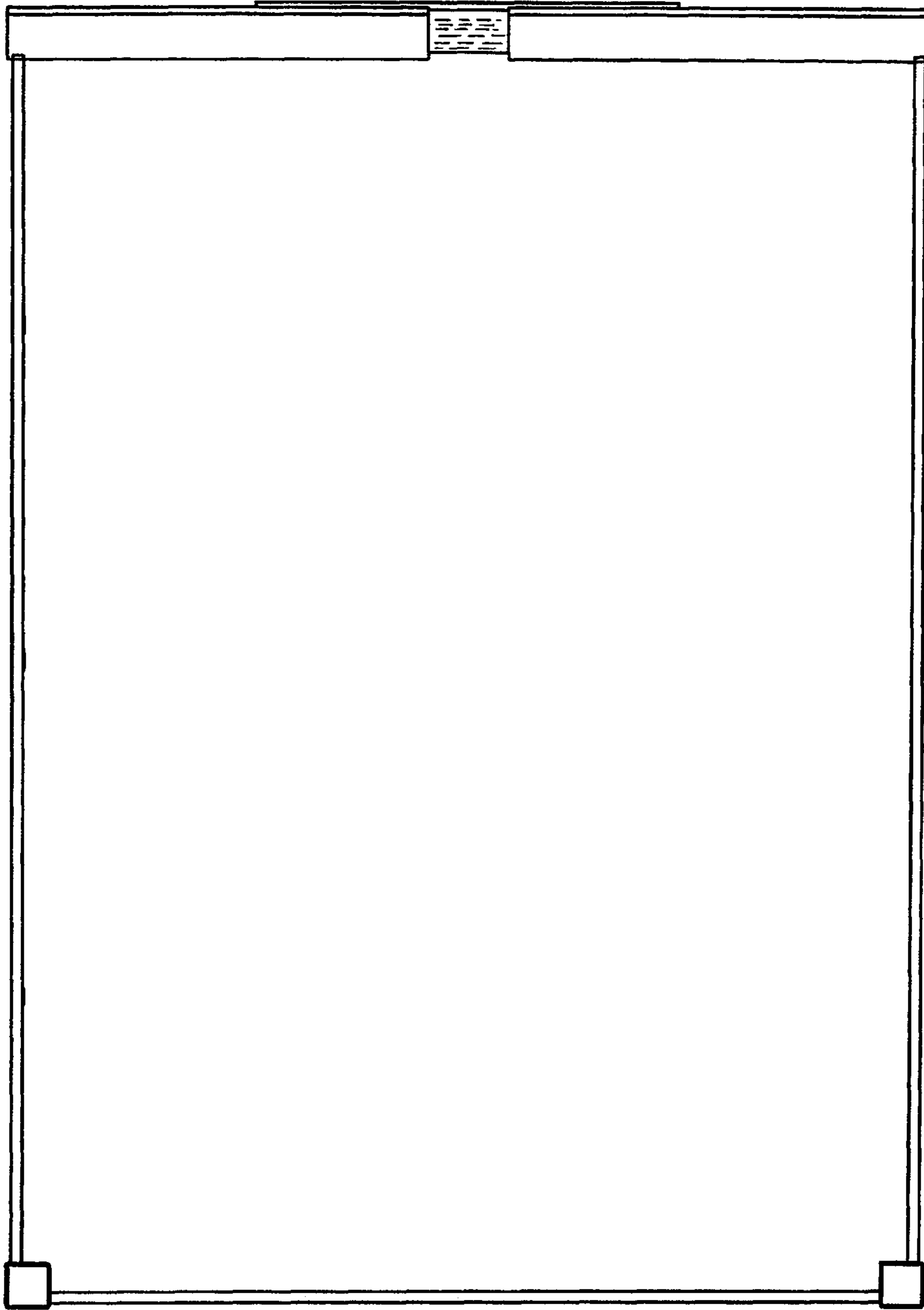


Fig. 2

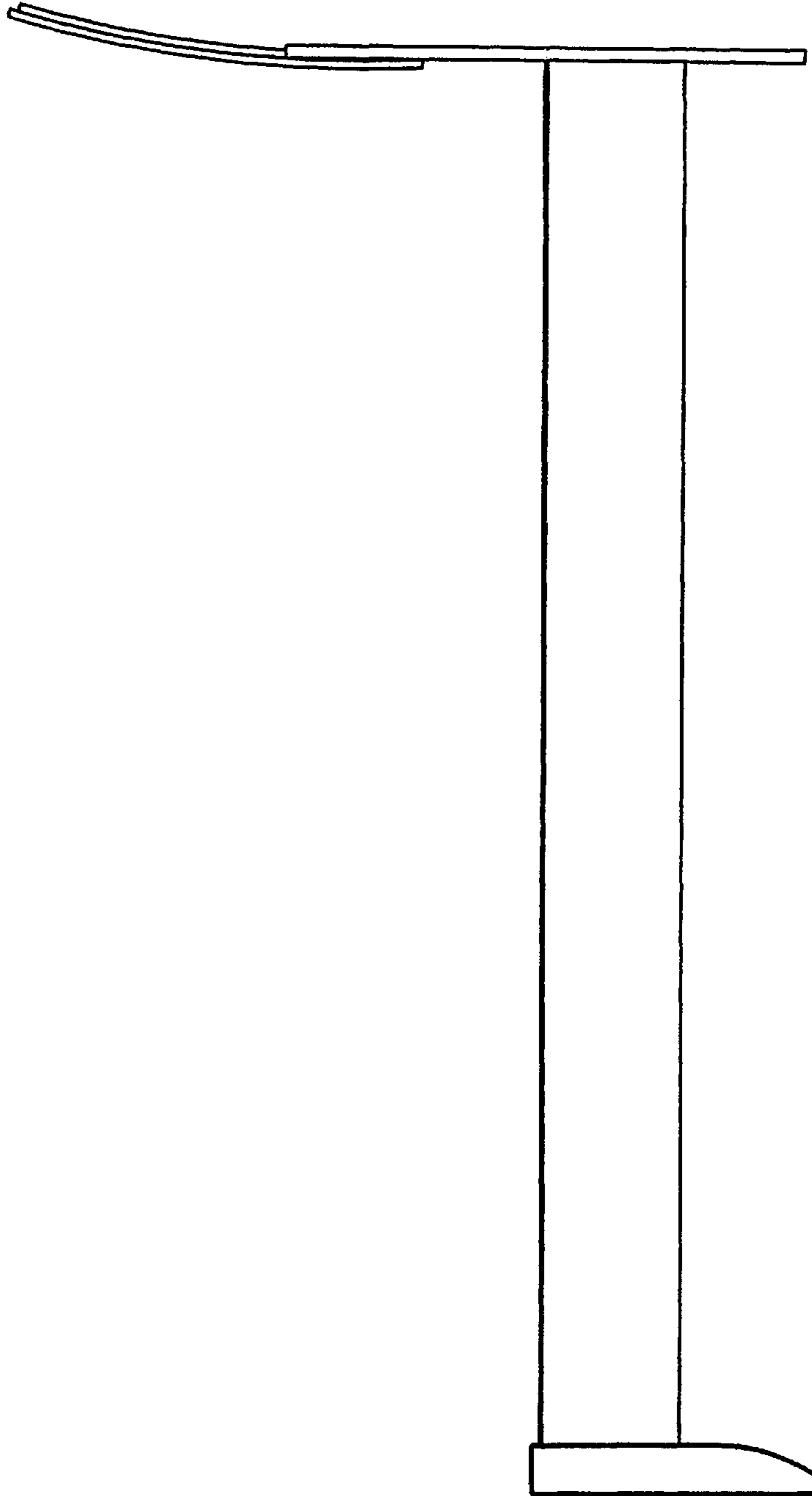


FIG. 3

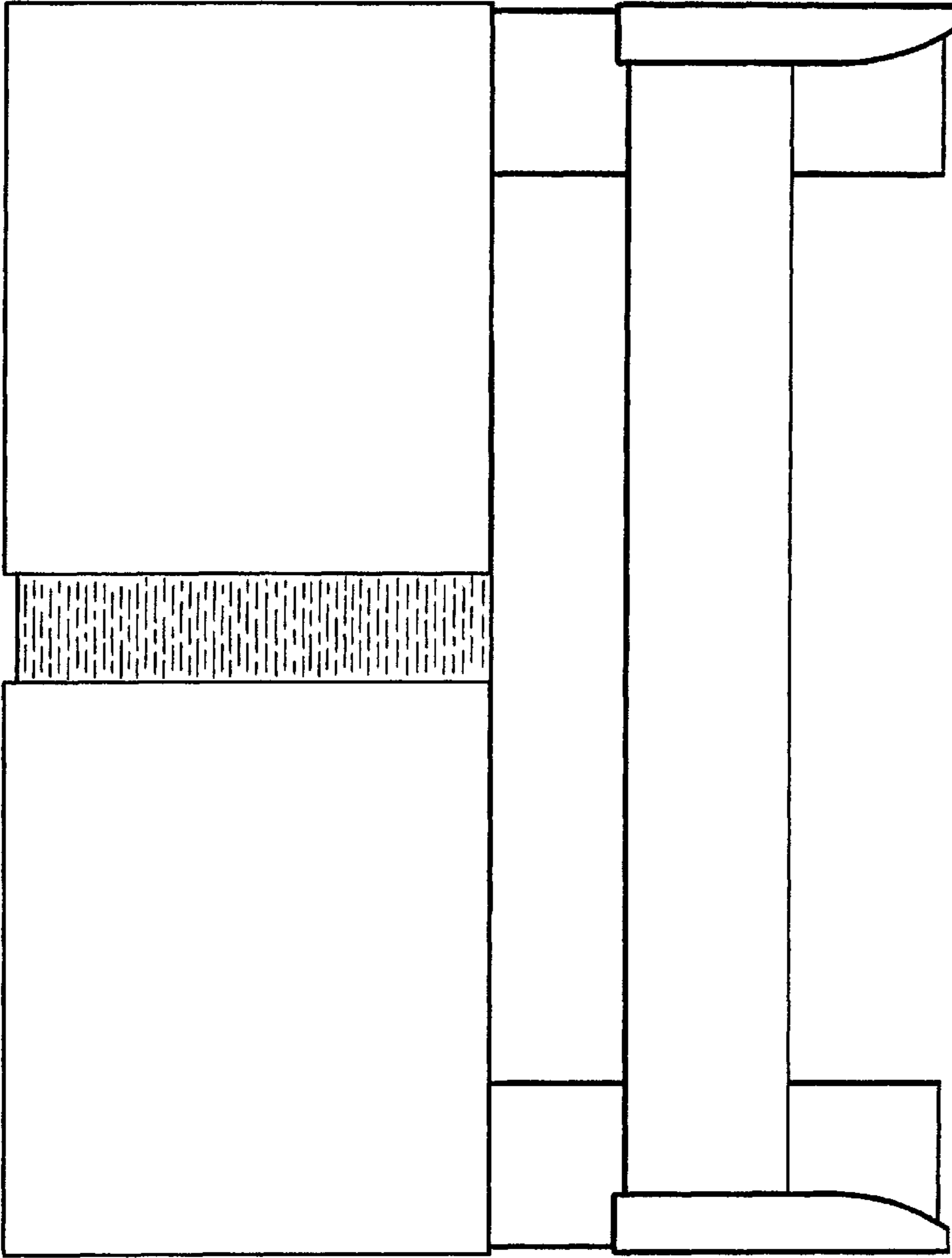


Fig. 4