



US00D526135S

(12) **United States Design Patent**
Murphy

(10) **Patent No.:** **US D526,135 S**

(45) **Date of Patent:** **** Aug. 8, 2006**

(54) **ROTATABLY ADJUSTABLE LOUNGE CHAIR**

(76) Inventor: **Brenda L. Murphy**, 20 Ocean Ave.,
P.O. Box 907, Onset, MA (US) 02558

(**) Term: **14 Years**

(21) Appl. No.: **29/239,082**

(22) Filed: **Sep. 27, 2005**

(51) **LOC (8) Cl.** **06-01**

(52) **U.S. Cl.** **D6/361; D6/364**

(58) **Field of Classification Search** D6/334-335,
D6/360, 361, 364, 365, 367, 368, 500-502,
D6/595, 601; 297/68, 217.3, 344.21, 344.23,
297/344.26, 423.1, 423.19, 451.4, 451.5,
297/452.12

See application file for complete search history.

(56) **References Cited**

U.S. PATENT DOCUMENTS

3,751,111	A	*	8/1973	Taylor et al.	297/451.4
D261,952	S	*	11/1981	Valdez	D6/334
4,379,588	A	*	4/1983	Speice	297/217.3
D279,239	S	*	6/1985	Meier	D6/362
D279,732	S	*	7/1985	Zlotnick	D6/361
4,544,202	A	*	10/1985	Keaton	297/344.26
D296,625	S	*	7/1988	Mulhauser	D6/367
D298,989	S	*	12/1988	Mulhauser	D6/372
D299,190	S	*	1/1989	Mulhauser	D6/367
4,824,170	A		4/1989	Goldmeier		
D310,921	S		10/1990	Nagengast et al.		

D311,459	S	*	10/1990	Holmstrom	D6/367
5,046,782	A	*	9/1991	Lundeen	297/344.26
5,078,451	A		1/1992	Sobel		
D332,012	S	*	12/1992	Severance	D6/379
5,211,172	A	*	5/1993	McGuane et al.	297/217.3
D343,529	S	*	1/1994	Sanders, Jr.	D6/379
5,395,157	A		3/1995	Rollo et al.		
D358,497	S	*	5/1995	Jones et al.	D6/361
D389,328	S	*	1/1998	Tseng	D6/361
5,893,608	A		4/1999	Cravenor		
5,944,384	A		8/1999	Patterson		
5,975,630	A	*	11/1999	Schreiber	297/217.3
D422,829	S	*	4/2000	Kritzinger	D6/595
D509,371	S	*	9/2005	Natuzzi	D6/361

* cited by examiner

Primary Examiner—Mimosa De

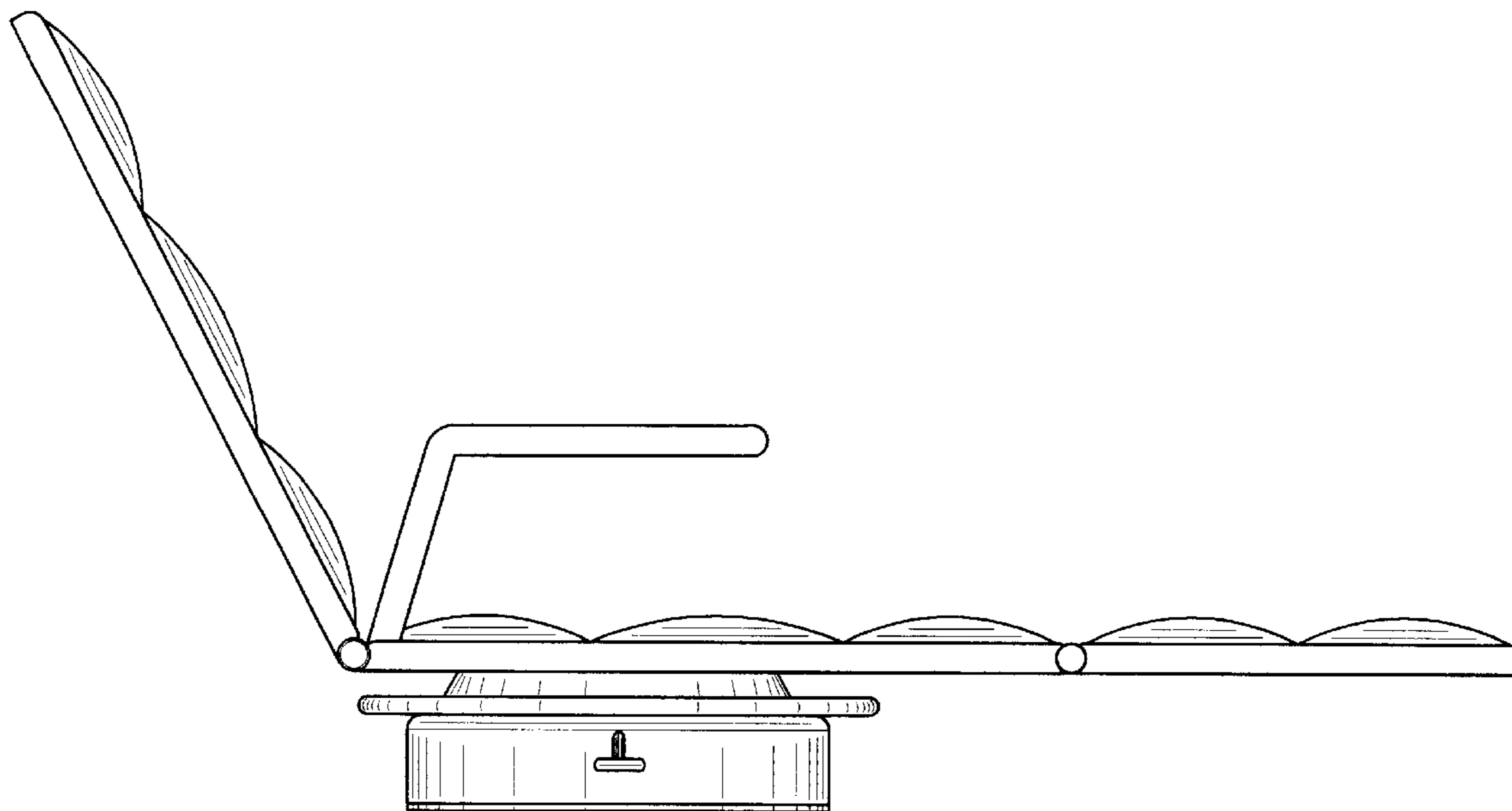
(57) **CLAIM**

The ornamental design for a rotatably adjustable lounge chair, as shown and described.

DESCRIPTION

FIG. 1 is a left side elevational view of a rotatably adjustable lounge chair showing my new design; FIG. 2 is a right side elevational view thereof; FIG. 3 is a front elevational view thereof; FIG. 4 is a rear elevational view thereof; FIG. 5 is a top plan view thereof; and, FIG. 6 is a bottom plan view thereof.

1 Claim, 3 Drawing Sheets



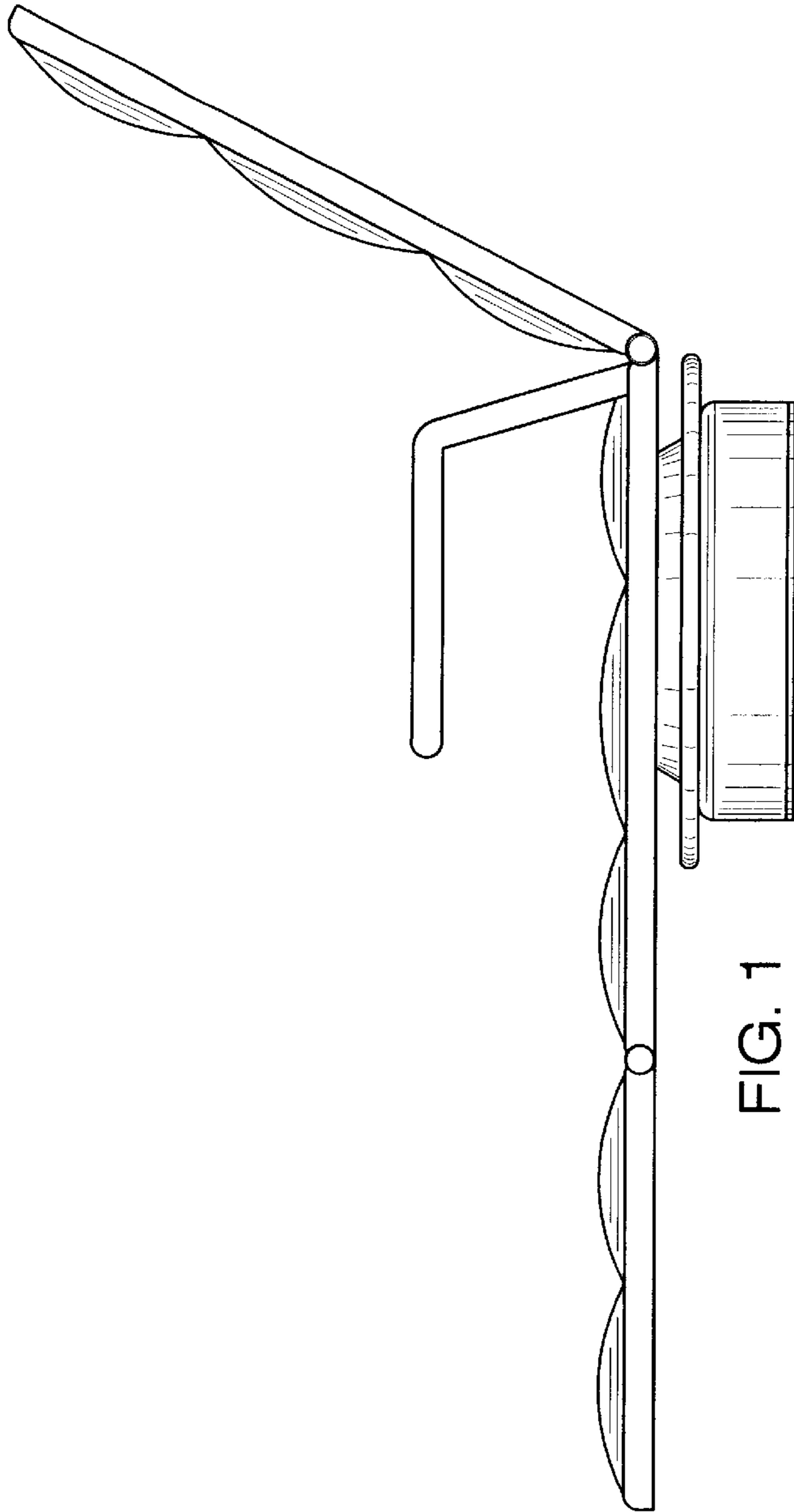


FIG. 1

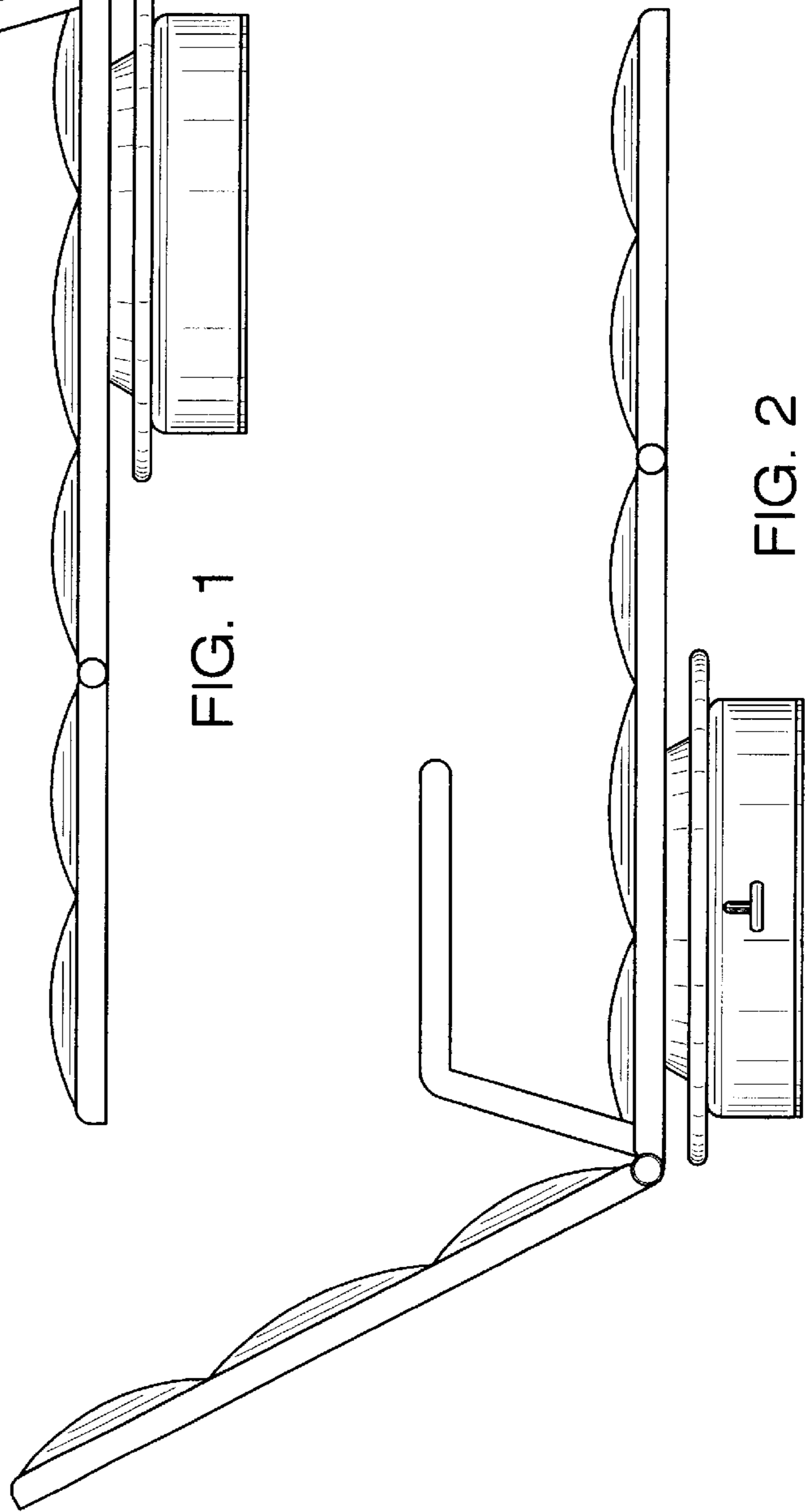


FIG. 2

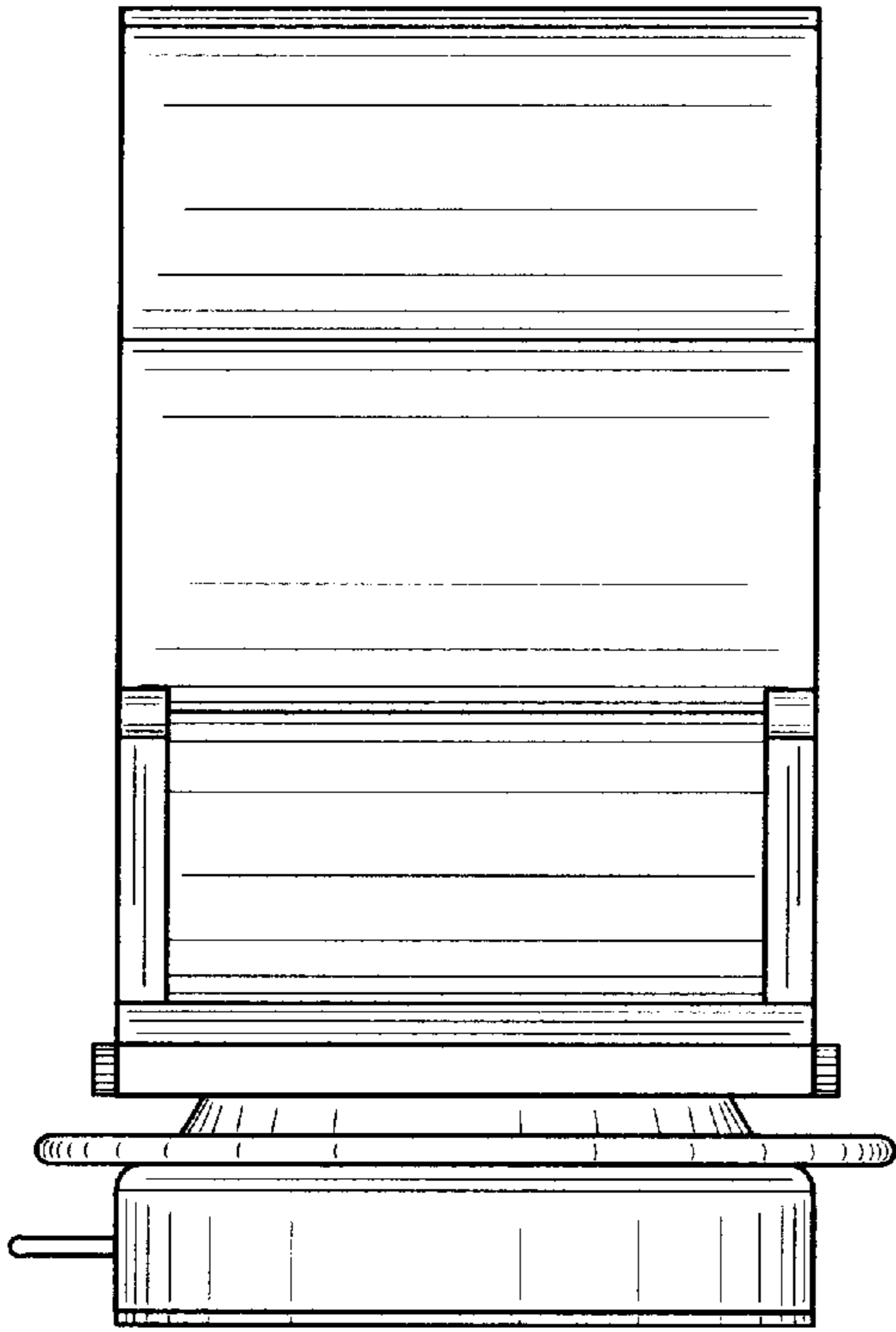


FIG. 3

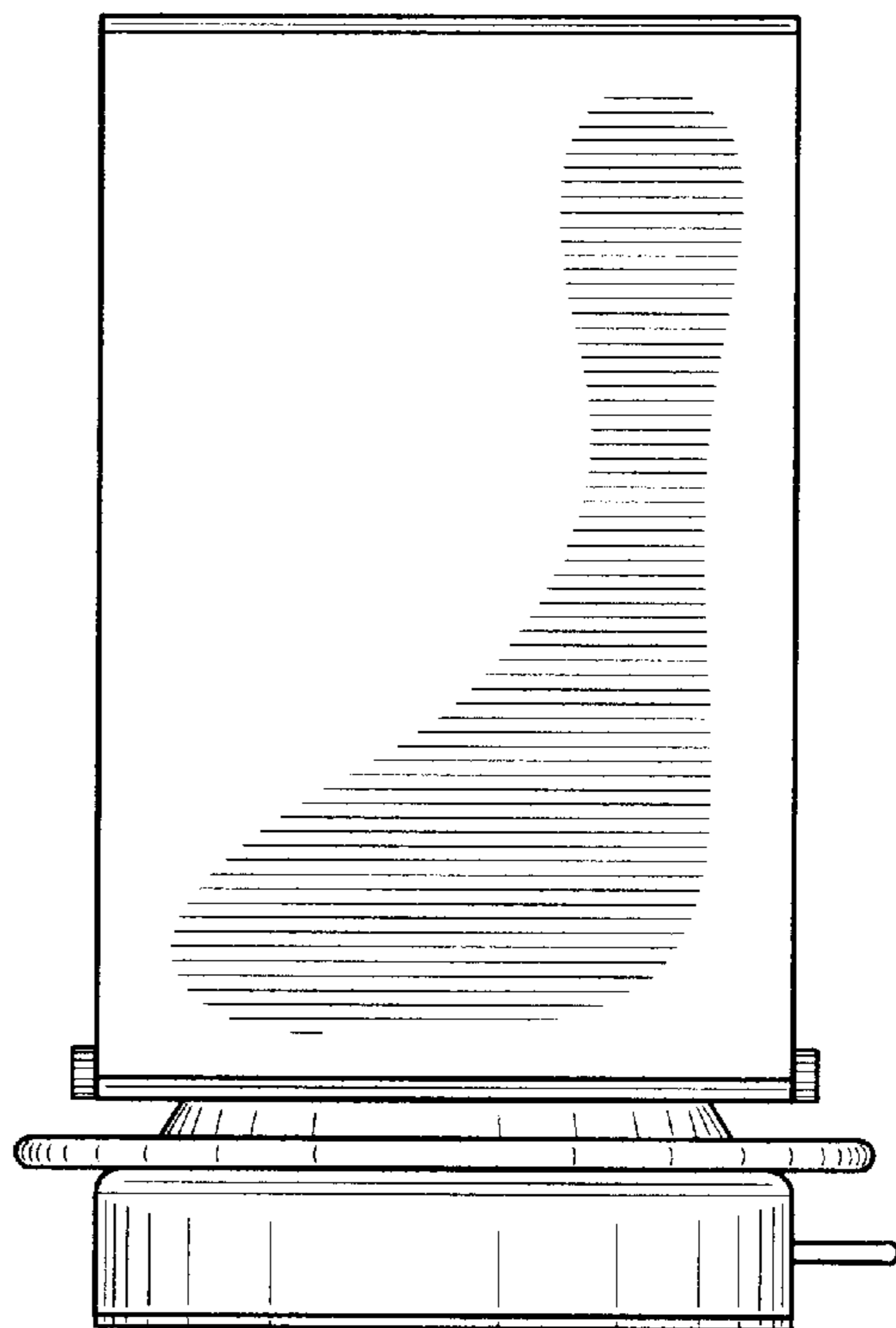


FIG. 4

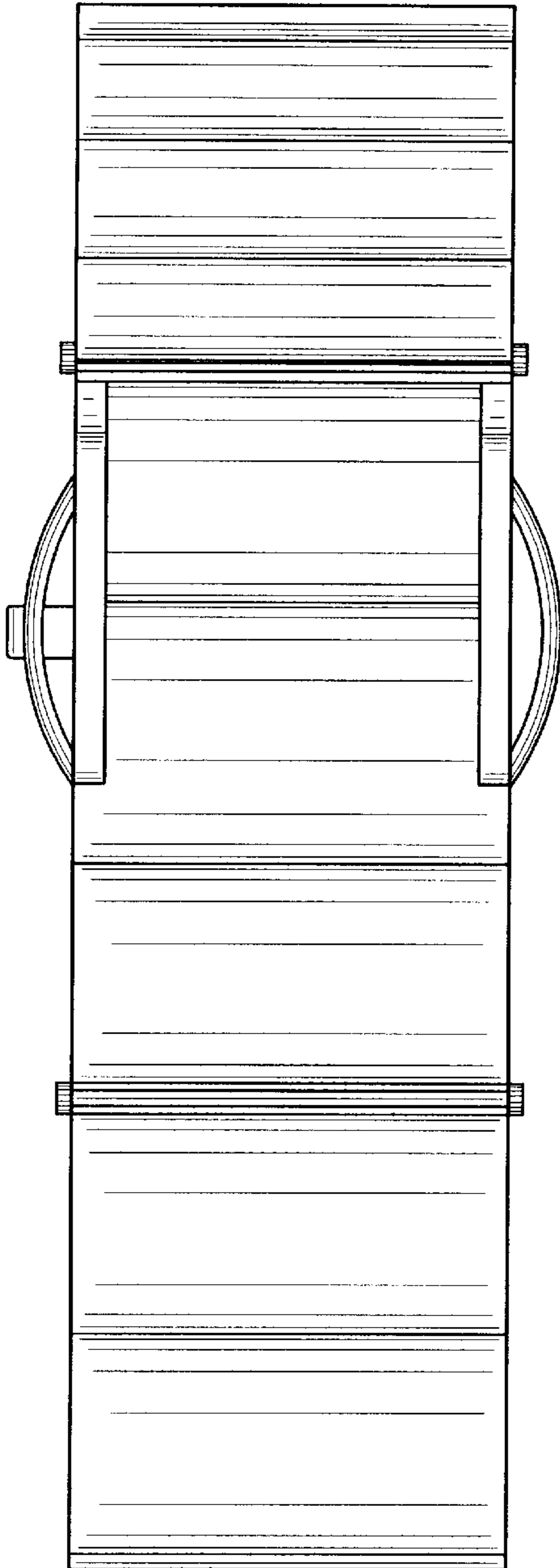


FIG. 5

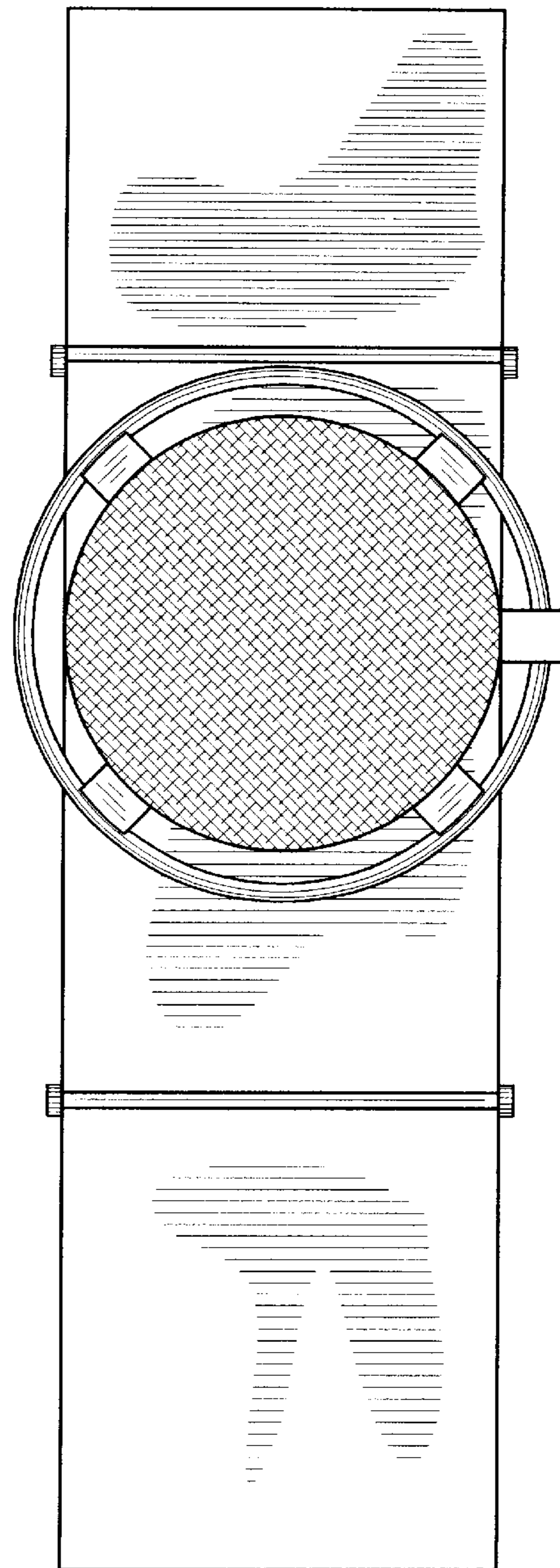


FIG. 6