



US00D526134S

(12) **United States Design Patent** (10) **Patent No.:** **US D526,134 S**
Glass et al. (45) **Date of Patent:** **** *Aug. 8, 2006**

(54) **ROCKING CHAIR**
(75) Inventors: **Peter Glass**, Arroyo Grande, CA (US);
Robert J. Mills, Torrance, CA (US);
Scott L. Fletcher, Redondo Beach, CA (US)
(73) Assignee: **Virco Mgmt. Corporation**, Torrance, CA (US)
(*) Notice: This patent is subject to a terminal disclaimer.
(**) Term: **14 Years**
(21) Appl. No.: **29/207,359**
(22) Filed: **Jun. 10, 2004**

D180,031 S 4/1957 Pearlstine D15/6
D182,182 S 2/1958 Herschell D15/6
D182,790 S * 5/1958 Cohen D6/375
D194,840 S 3/1963 Ridder et al. D15/6
D198,312 S 6/1964 Gale D15/6
D198,625 S 7/1964 Lockshin D15/6
3,201,172 A * 8/1965 Bliss 297/452.12
D202,548 S * 10/1965 Kramer D6/375
D202,549 S * 10/1965 Kramer D6/375
D202,550 S * 10/1965 Kramer D6/375
D207,310 S 4/1967 Caldemeyer et al. D15/6
D207,311 S 4/1967 Caldemeyer et al. D15/6
D207,313 S 4/1967 Caldemeyer et al. D15/6
D207,314 S 4/1967 Caldemeyer et al. D15/6
D215,930 S 11/1969 Mondragon D15/6
D225,928 S 1/1973 Lockwood D6/49
D237,918 S 12/1975 Chapin et al. D6/49

(Continued)

(51) **LOC (8) Cl.** **06-01**
(52) **U.S. Cl.** **D6/348; D6/375**
(58) **Field of Classification Search** D6/334,
D6/335, 341, 342, 344, 348, 366, 371-375,
D6/499, 500-502; 297/451.3, 258.1, 270.3,
297/271.5, 271.6, 445.1, 452.12, 452.2
See application file for complete search history.

Primary Examiner—Mimosa De
(74) *Attorney, Agent, or Firm*—Denton L. Anderson;
Sheldon & Mak PC; Robert M. Hupe

(57) **CLAIM**

The ornamental design for a rocking chair, as shown and described.

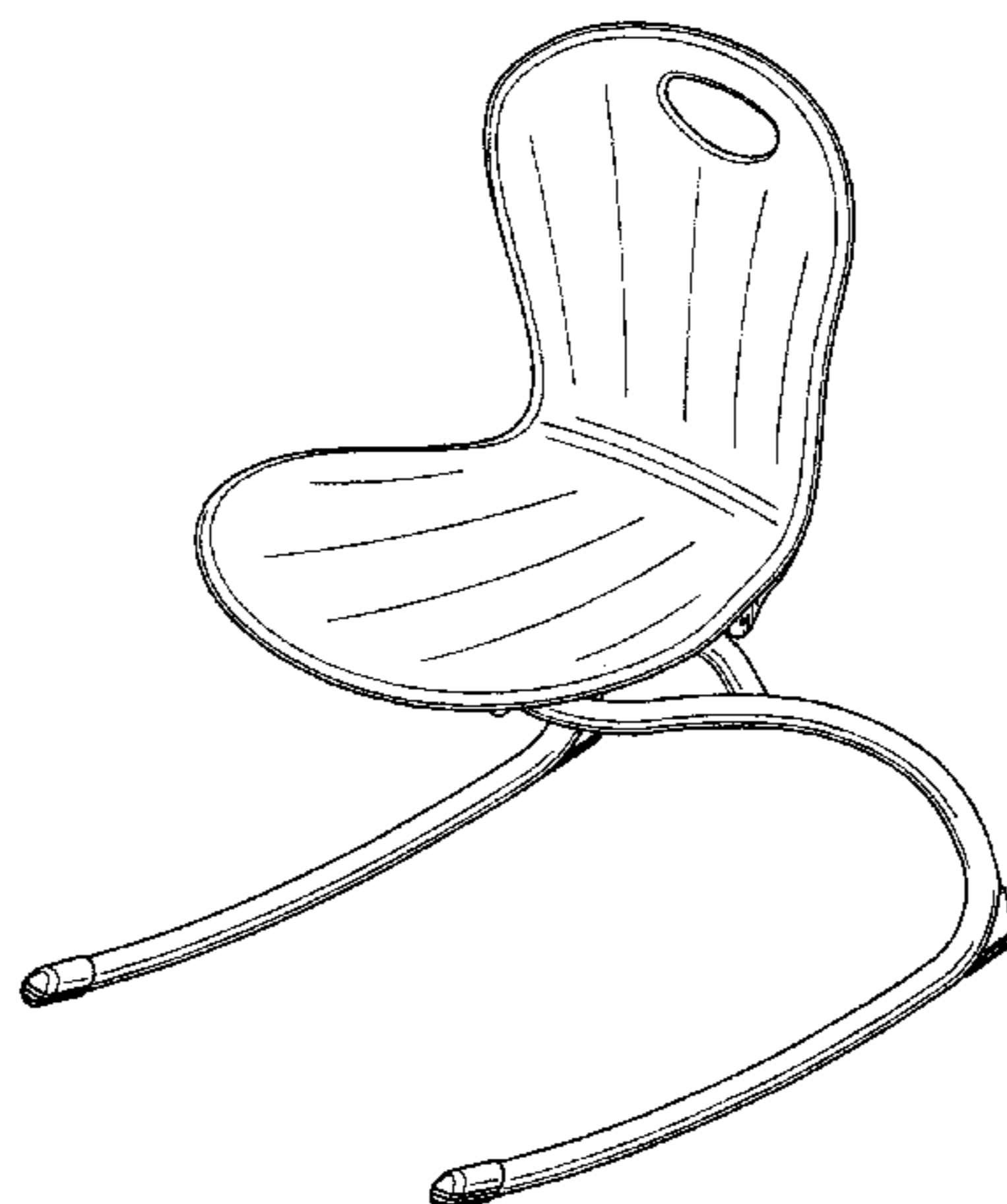
DESCRIPTION

FIG. 1 is a perspective view of the rocking chair of the invention;
FIG. 2 is a front view of the rocking chair illustrated in FIG. 1;
FIG. 3 is a side view of the rocking chair illustrated in FIG. 1;
FIG. 4 is a top view of the rocking chair illustrated in FIG. 1;
FIG. 5 is a bottom view of the rocking chair illustrated in FIG. 1;
FIG. 6 is a rear view of the rocking chair illustrated in FIG. 1; and,
FIG. 7 is a second perspective view of the rocking chair illustrated in FIG. 1, showing the underside of the rocking chair.

(56) **References Cited**
U.S. PATENT DOCUMENTS

D8,949 S	2/1876	Sulzbacher	
D24,301 S	5/1895	Harden	
D39,845 S	2/1909	Killian	
D43,442 S	1/1913	Taylor	
D48,329 S	12/1915	Severt	
D58,118 S	6/1921	Townsend	
D68,187 S	9/1925	Wurdack	
D99,956 S	6/1936	Morgan	
D100,540 S	7/1936	Carlson	
D107,271 S	11/1937	Vavrik	
D111,200 S	9/1938	Hasenstein	
D141,295 S	5/1945	Wright	D15/6
D141,551 S	6/1945	Edelson	D15/1
D150,894 S	9/1948	Smith	D15/6
D166,961 S	6/1952	Giglio	D15/6
D171,209 S	12/1953	Jones	D15/6
D173,881 S	1/1955	Pearl	D15/6

1 Claim, 4 Drawing Sheets



US D526,134 S

Page 2

U.S. PATENT DOCUMENTS

D237,919 S	12/1975	Chapin et al.	D6/49	D409,407 S	*	5/1999	Wang	D6/375
D239,223 S	3/1976	Smith	D6/49	D410,801 S	*	6/1999	Holbrook	D6/373
D239,794 S	5/1976	Chapin et al.	D6/49	D412,406 S		8/1999	Stumpf et al.	D6/348
D254,042 S	*	1/1980	Hosoe	D414,618 S	*	10/1999	Holbrook	D6/373
D278,283 S		4/1985	Riart	D470,320 S	*	2/2003	Schloss	D6/375
D295,585 S	*	5/1988	Mulhauser	D471,730 S	*	3/2003	Schloss	D6/375
D307,837 S	*	5/1990	Grant	D473,407 S	*	4/2003	Ross	D6/500
D359,169 S		6/1995	Willens	D474,348 S	*	5/2003	Bosman et al.	D6/372
5,560,675 A		10/1996	Alzheimer et al.	297/33				
D383,913 S	*	9/1997	Ahlstrom	D6/348				

* cited by examiner

FIG. 2

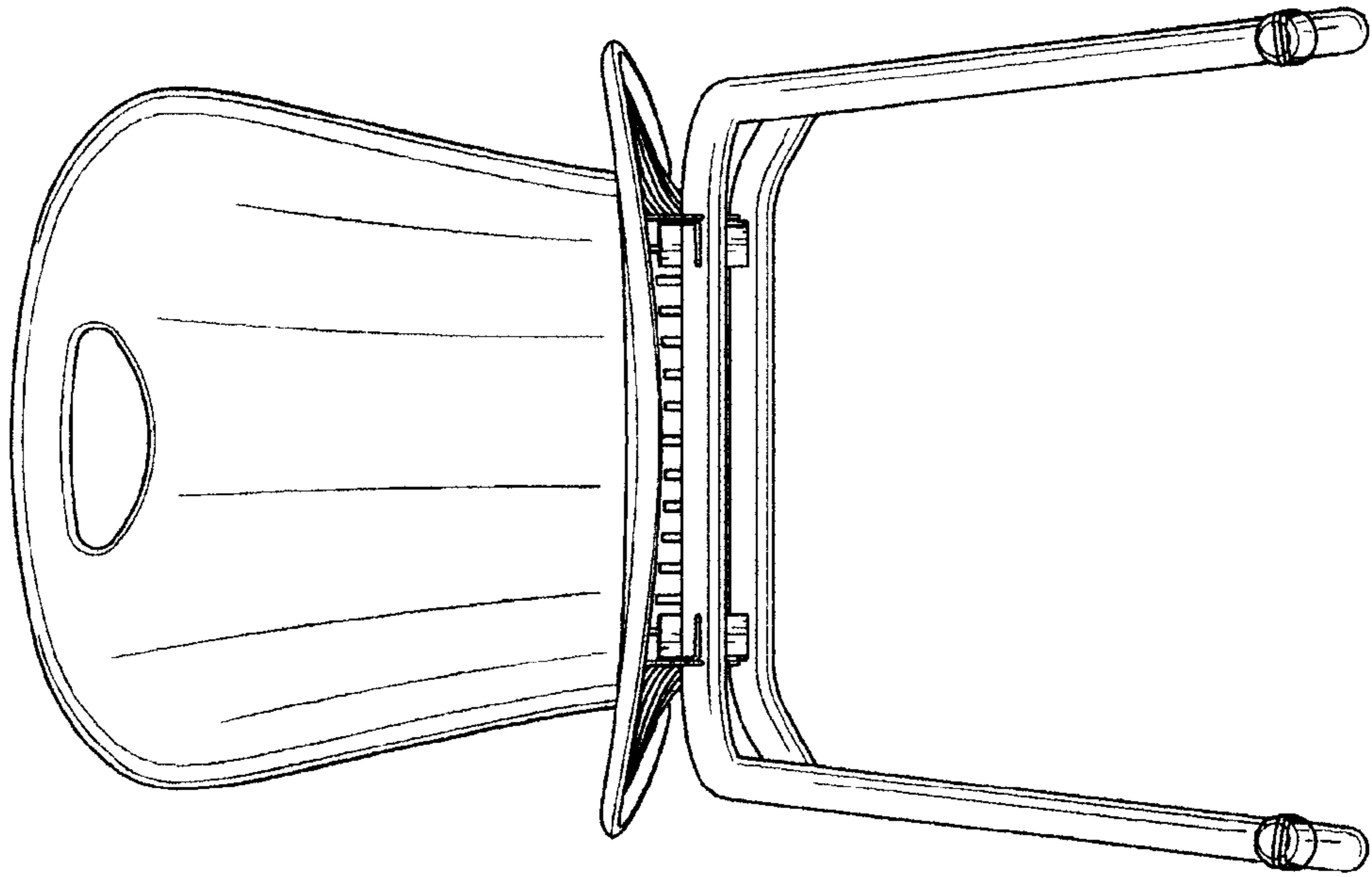


FIG. 1

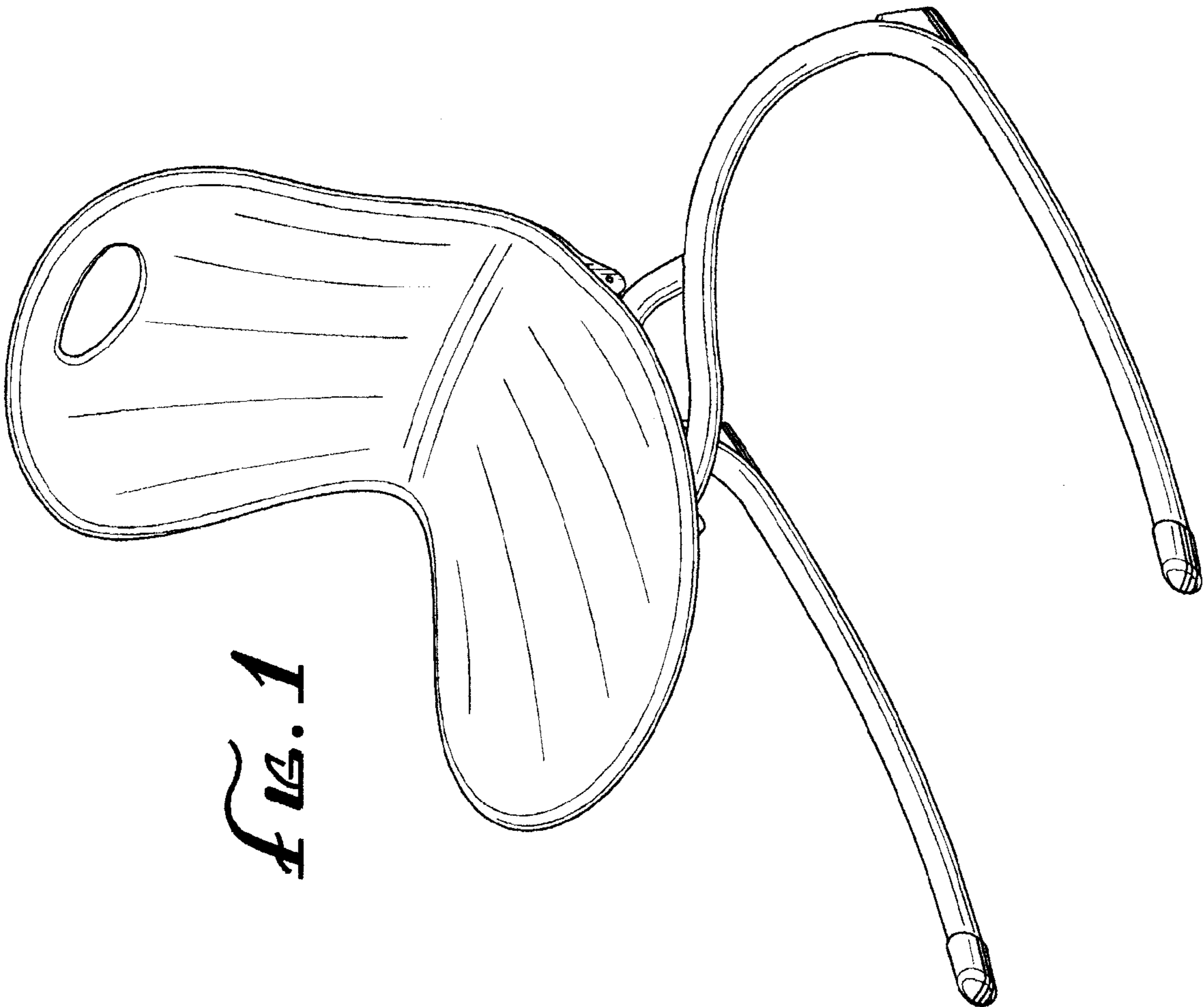


FIG. 4

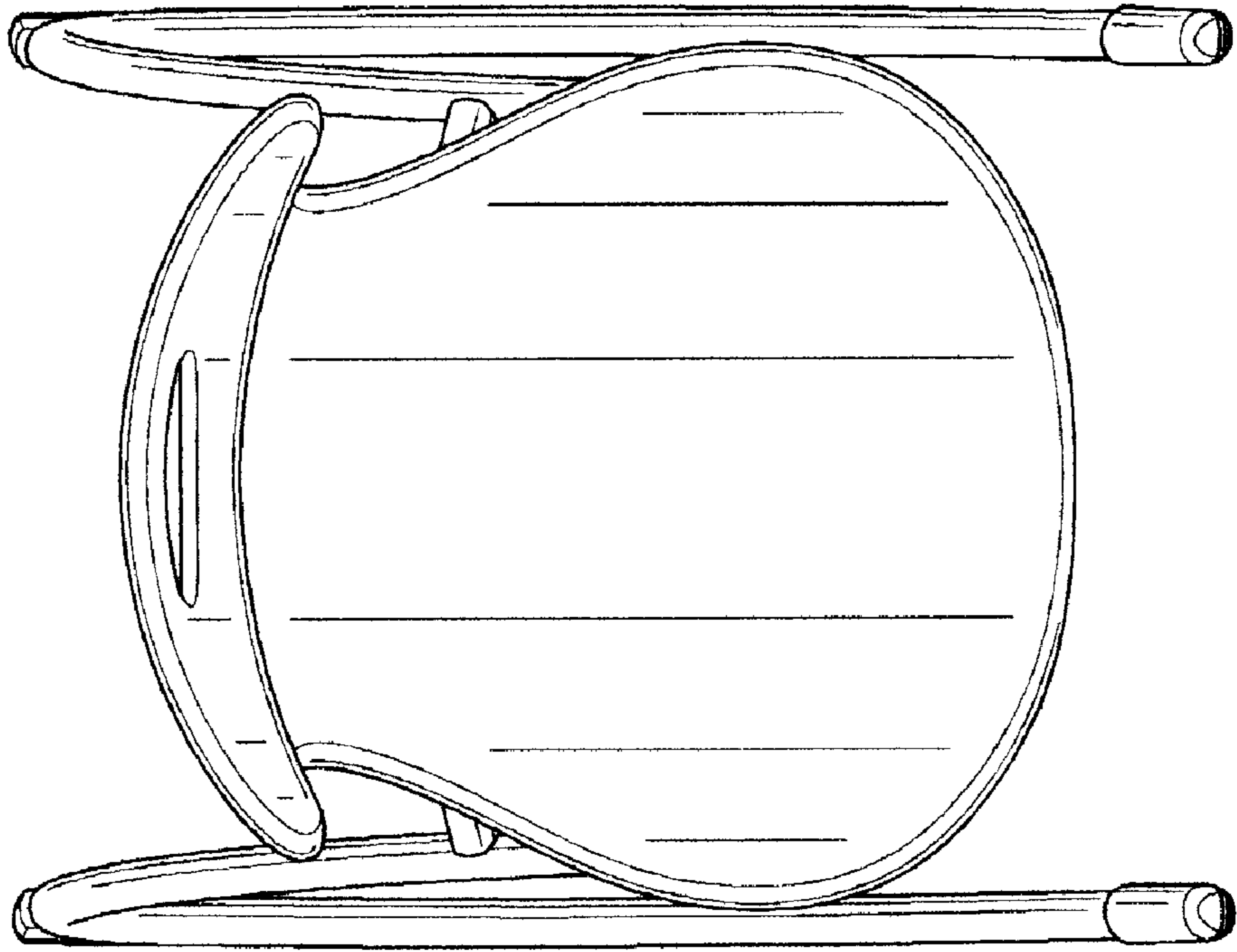


FIG. 3

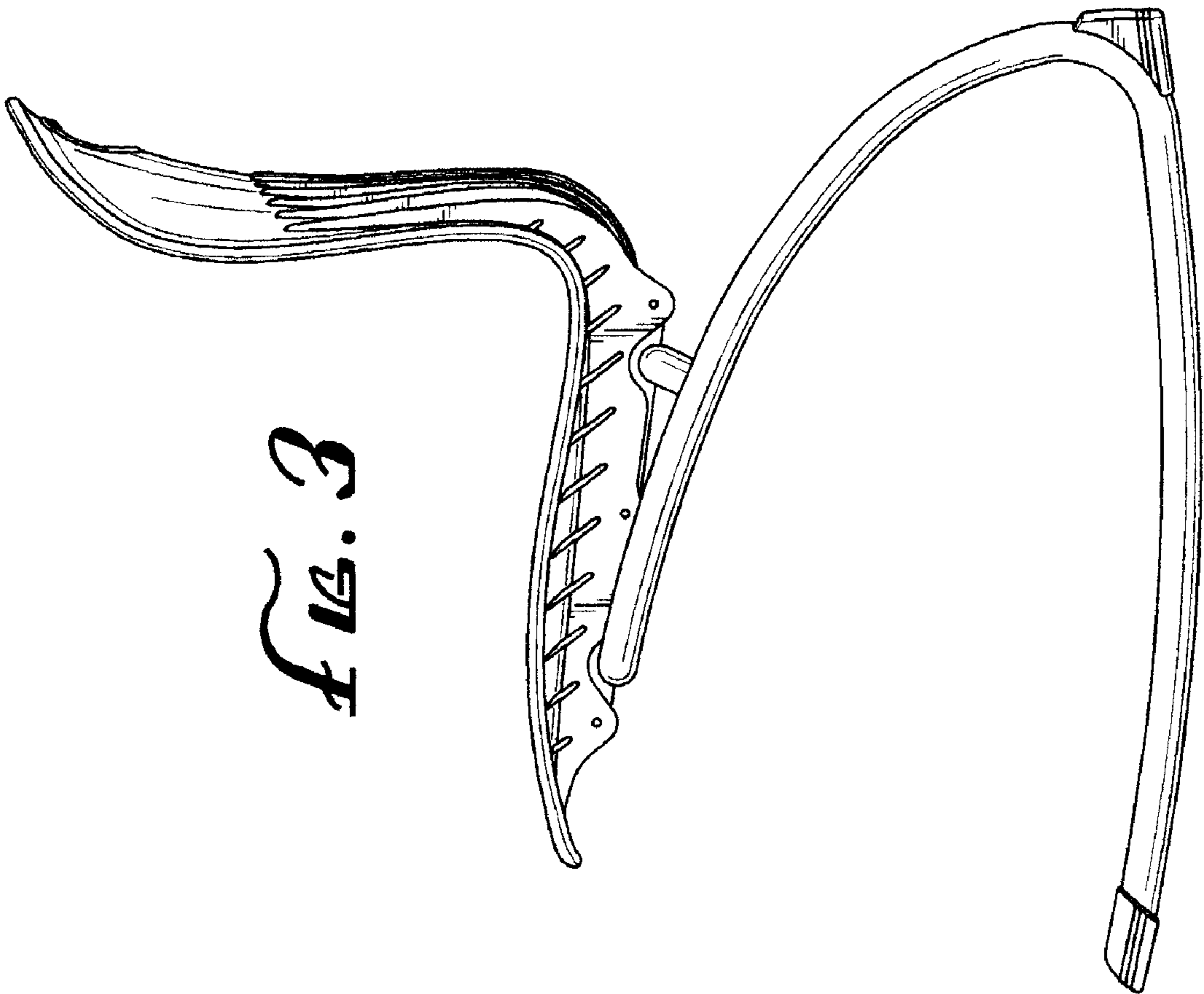


FIG. 6

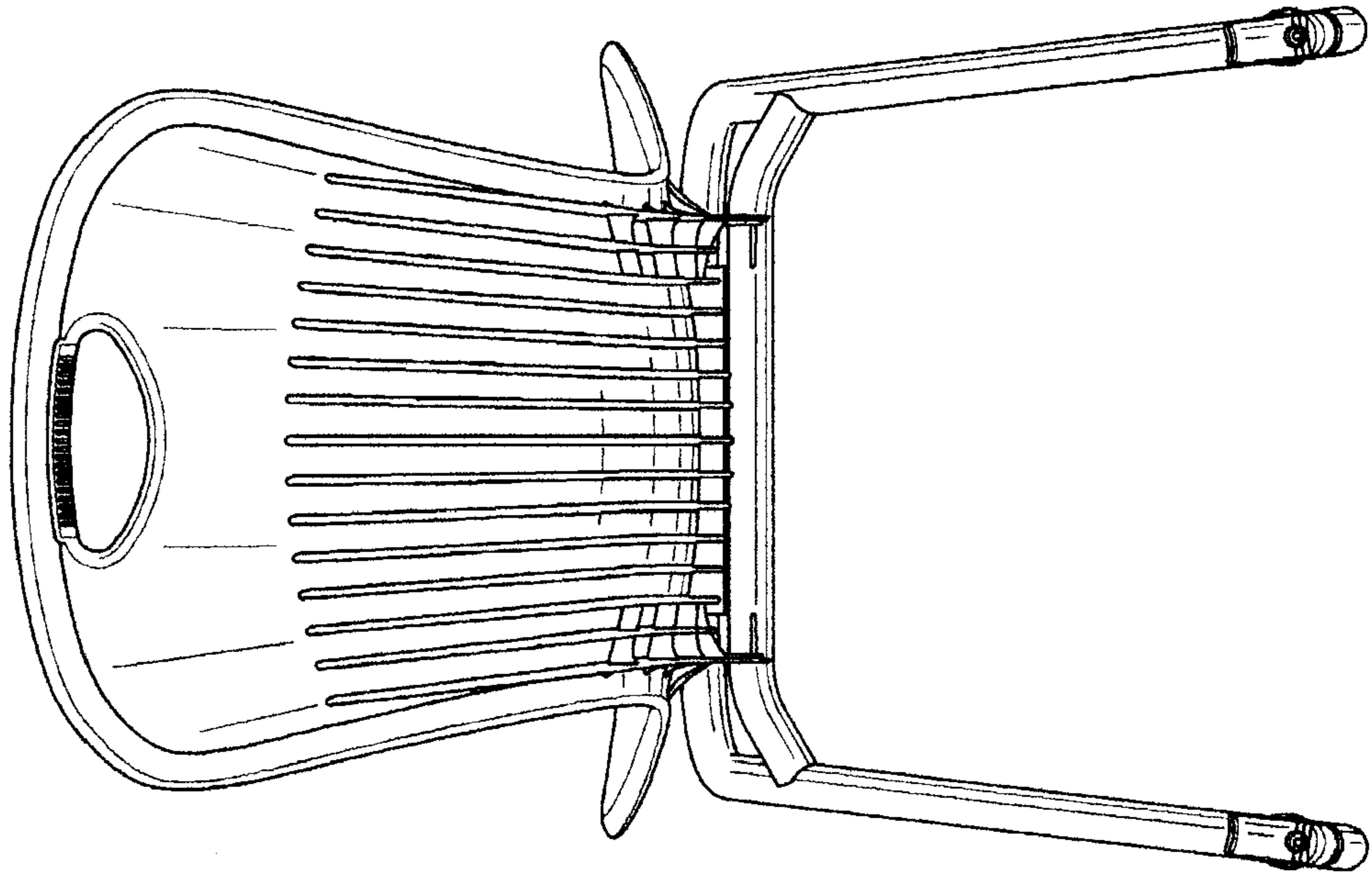
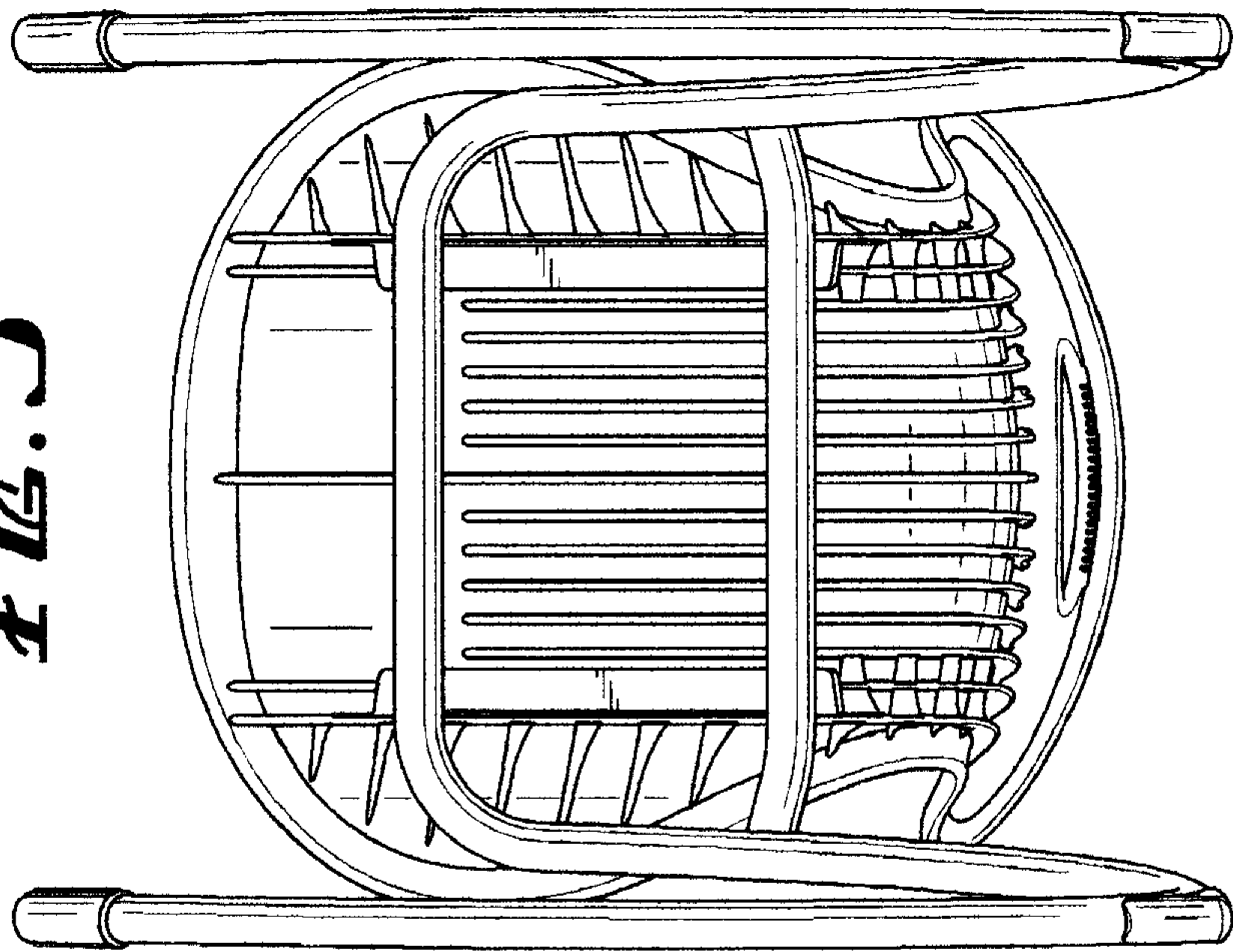


FIG. 5



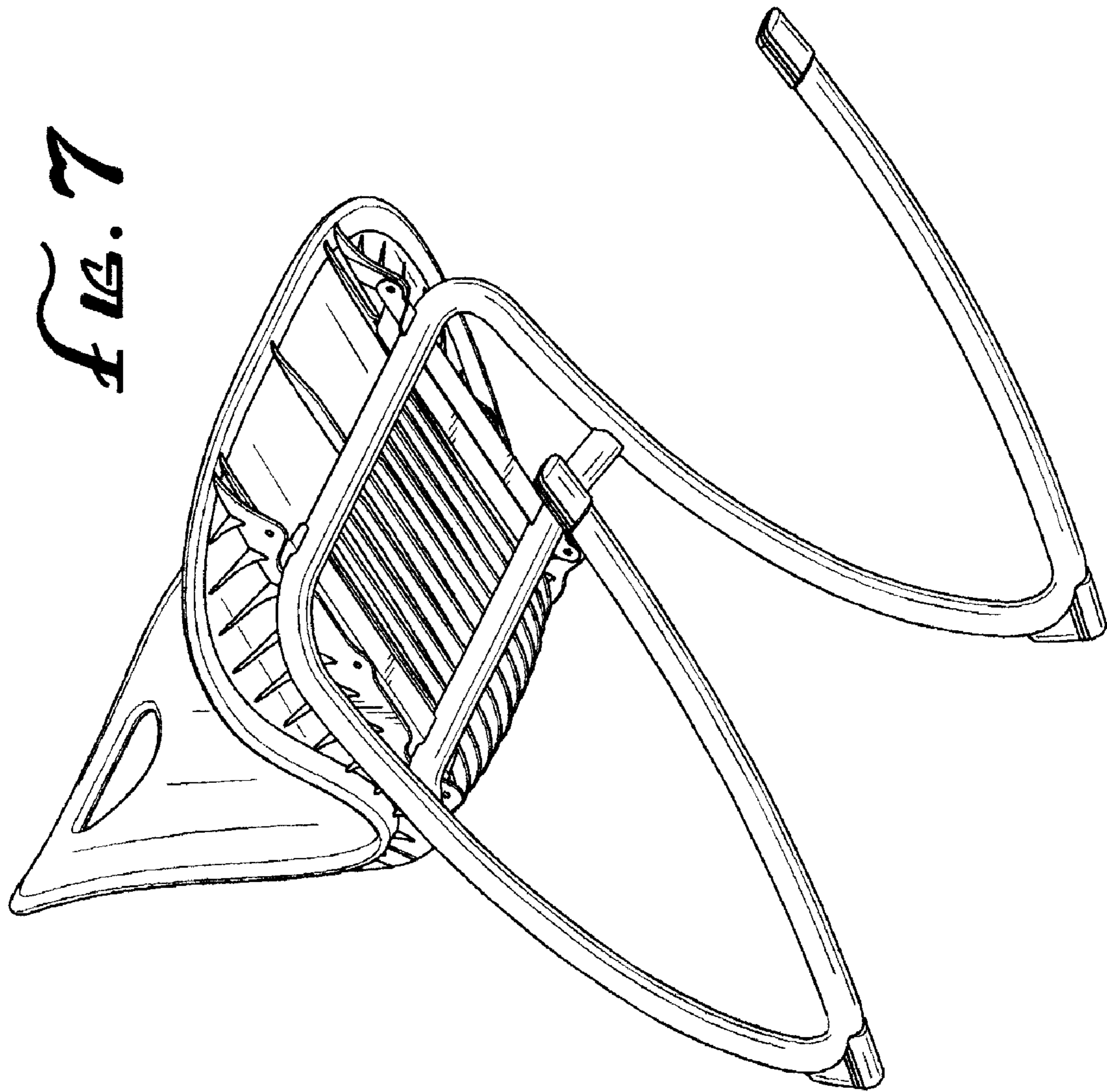


Fig. 7