

US00D526132S

(12) **United States Design Patent**
Solowiej

(10) **Patent No.:** **US D526,132 S**

(45) **Date of Patent:** **** Aug. 8, 2006**

(54) **ROBE HOOK**

(75) Inventor: **Leszek Solowiej**, Montville, NJ (US)

(73) Assignee: **Liberty Hardware Mfg. Corp.**,
Winston-Salem, NC (US)

(**) Term: **14 Years**

(21) Appl. No.: **29/228,798**

(22) Filed: **Apr. 28, 2005**

(51) **LOC (8) Cl.** **06-08**

(52) **U.S. Cl.** **D6/323**

(58) **Field of Classification Search** D6/315,
D6/320, 323, 327, 328, 524, 550, 553; D8/354,
D8/367, 372, 373; 223/85-98, DIG. 2, DIG. 4;
211/86.01, 87.01, 106.01; 248/205.1, 304,
248/309.1, 690-692

See application file for complete search history.

(56) **References Cited**

U.S. PATENT DOCUMENTS

D247,146 S * 2/1978 Watt, Jr. D6/323
D267,137 S * 12/1982 Mayer D8/367
D343,066 S * 1/1994 Hsu D6/323

D472,059 S * 3/2003 Hoernig D6/323
D472,061 S * 3/2003 Hoernig D6/323
D473,453 S * 4/2003 Goodman et al. D8/367
D493,093 S * 7/2004 Goodman et al. D8/367
D496,258 S * 9/2004 Fields D8/367

* cited by examiner

Primary Examiner—Mitchell Siegel

Assistant Examiner—Shanda C. Hill

(74) *Attorney, Agent, or Firm*—Edgar A. Zarins; Lloyd D. Doigan

(57) **CLAIM**

The ornamental design for a robe hook, as shown and described.

DESCRIPTION

FIG. 1 is a perspective view of a robe hook showing my new design;

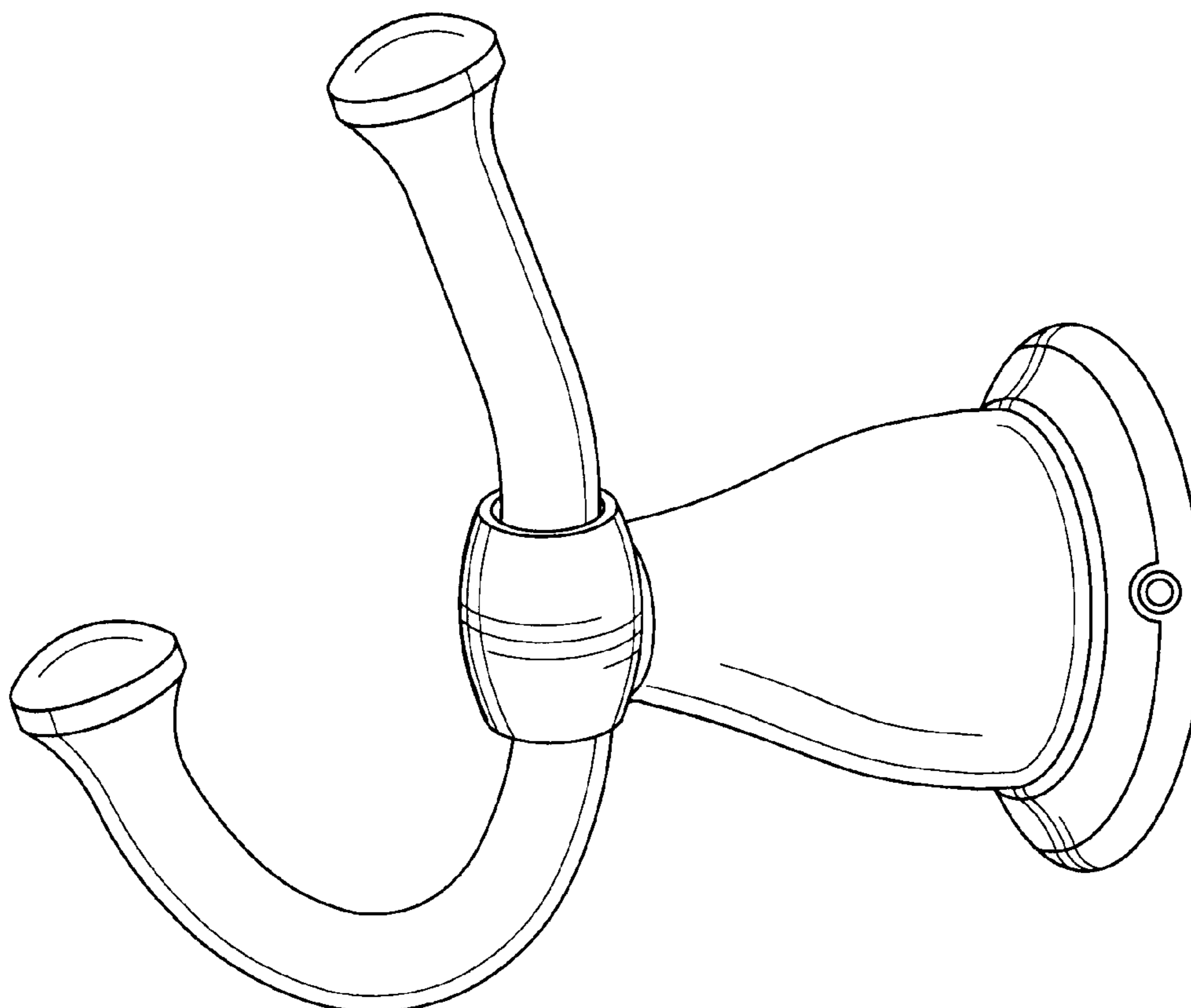
FIG. 2 is a bottom plan view thereof;

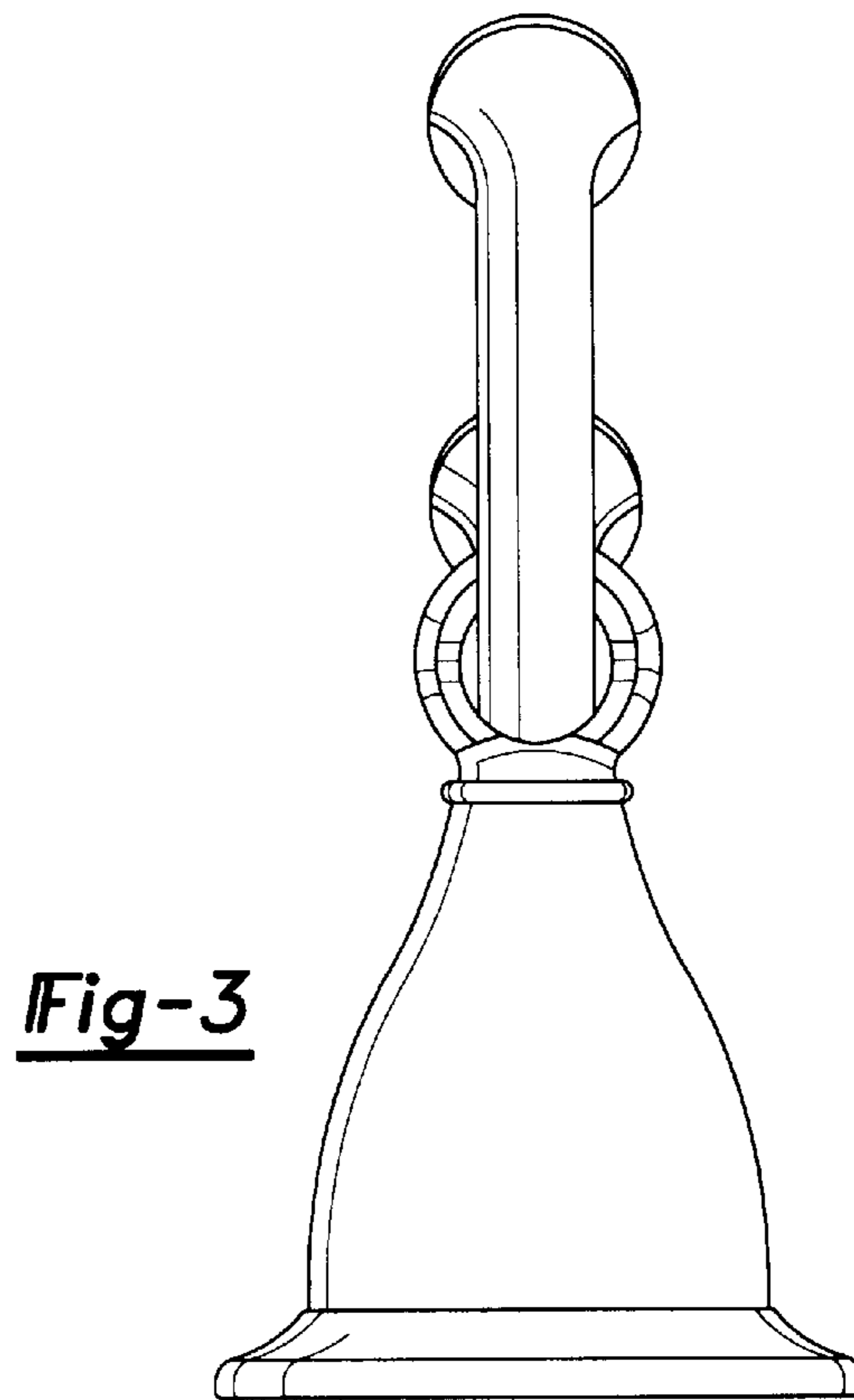
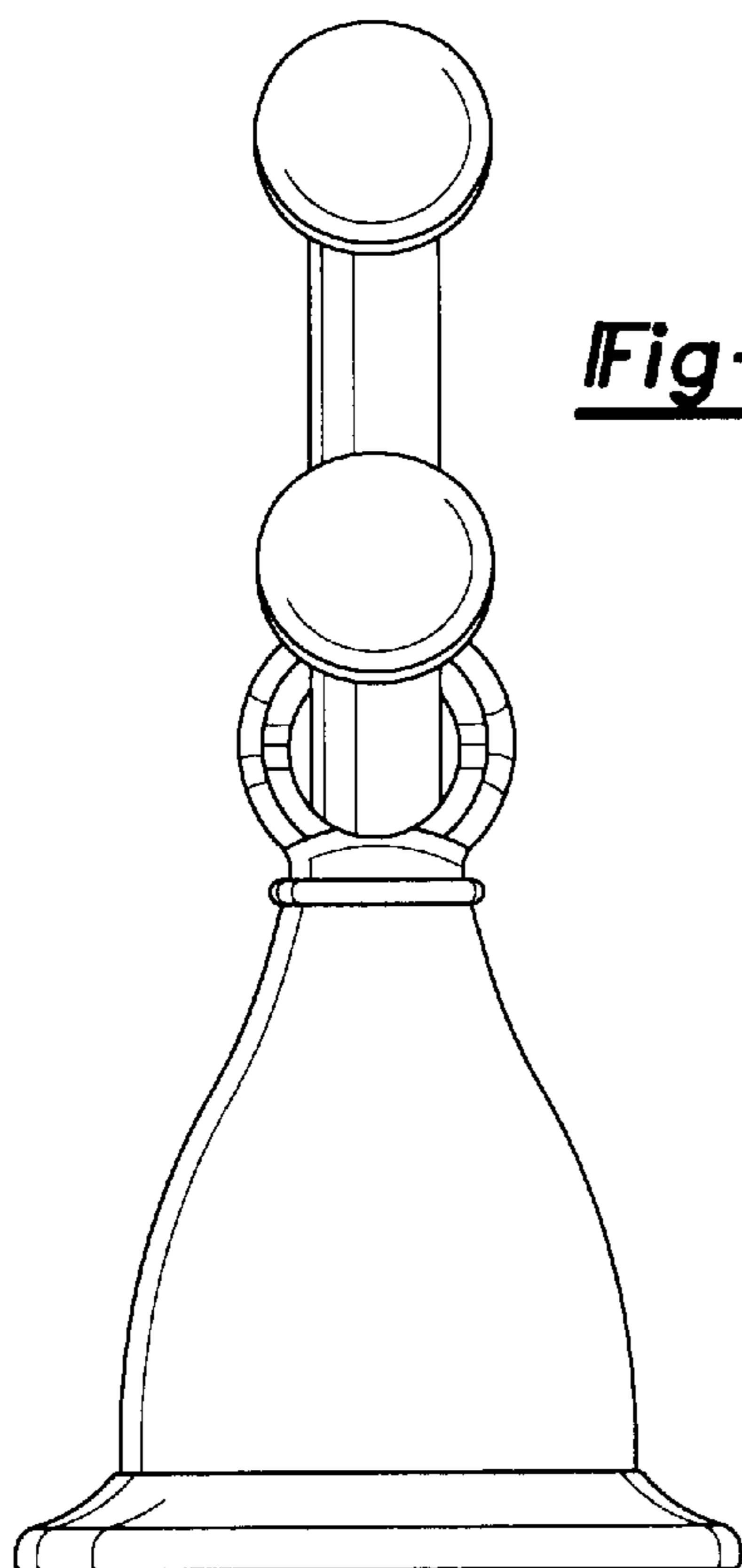
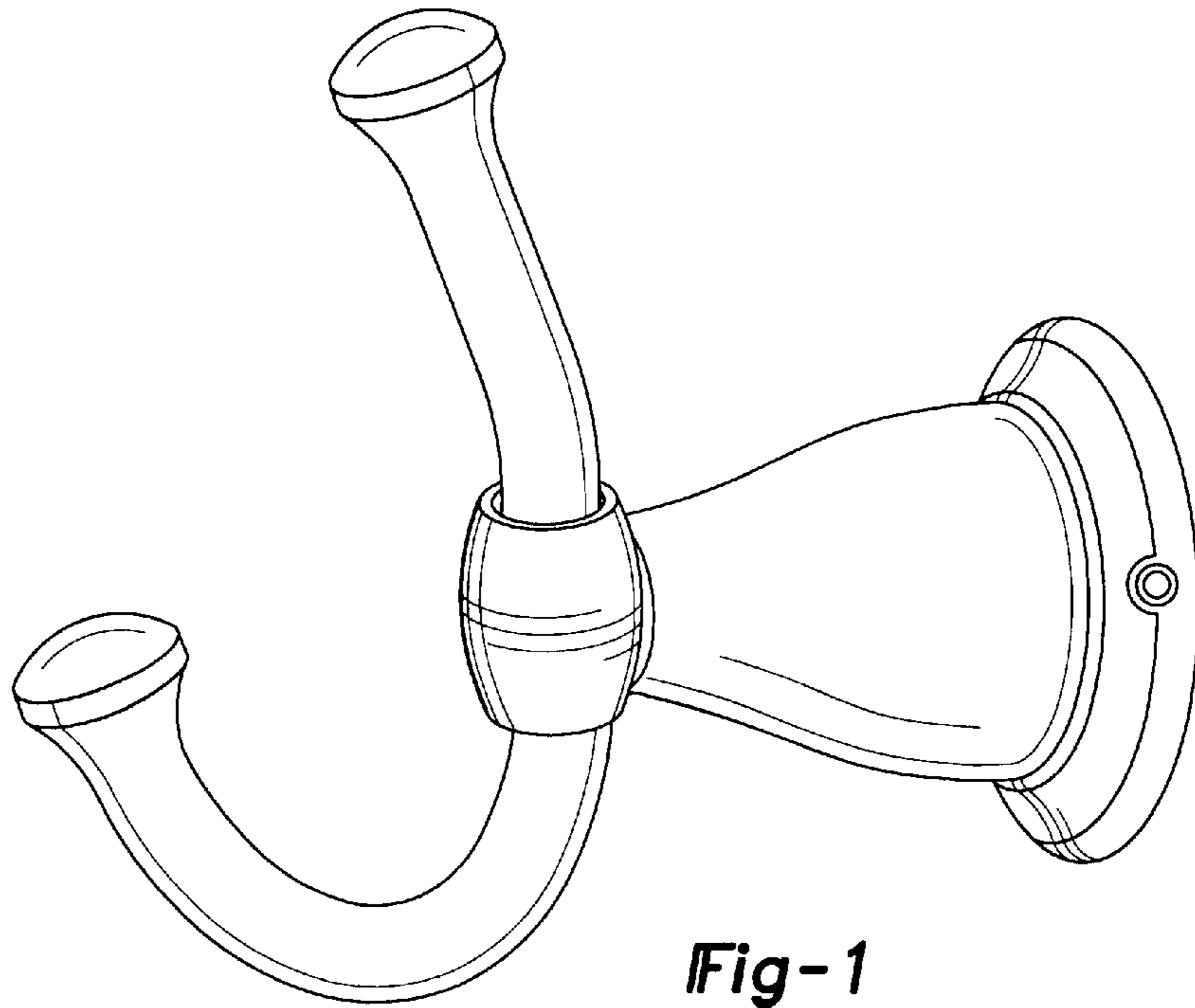
FIG. 3 is a top plan view thereof;

FIG. 4 is a front elevational view thereof; and,

FIG. 5 is a left side elevational view thereof, the right side elevational view being a mirror image thereto.

1 Claim, 2 Drawing Sheets





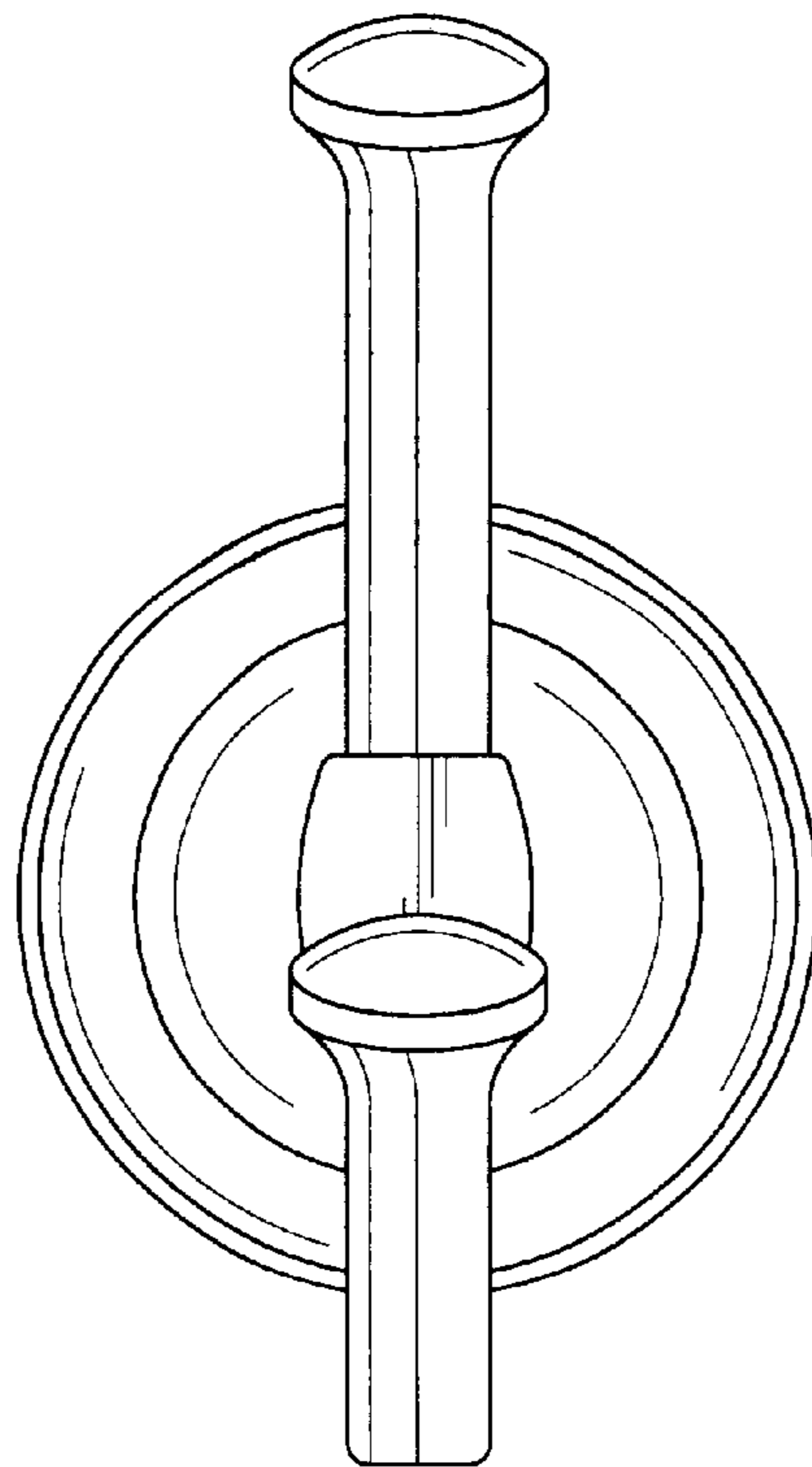


Fig-4

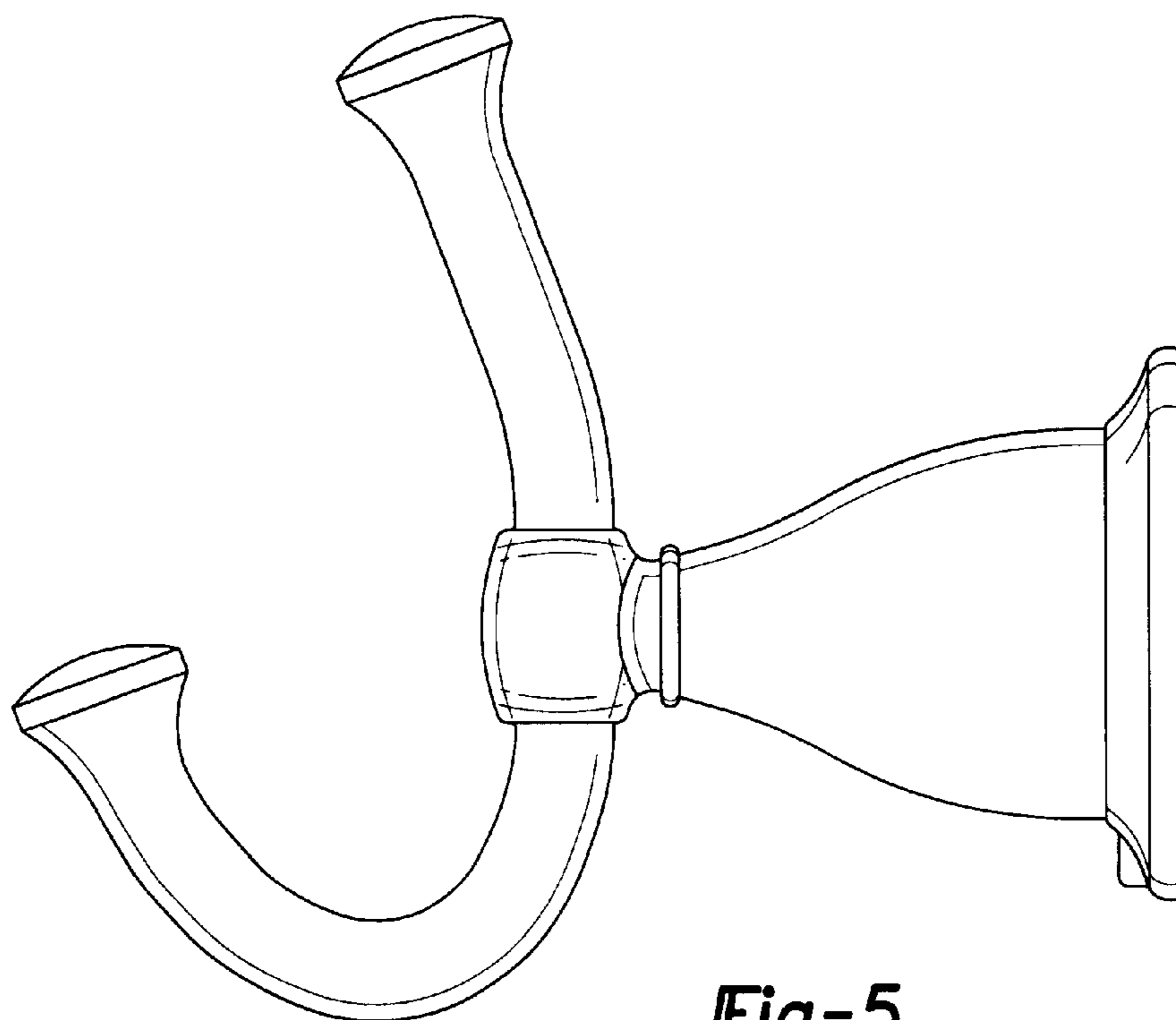


Fig-5