

US00D526131S

(12) **United States Design Patent**
McGowan

(10) **Patent No.:** **US D526,131 S**

(45) **Date of Patent:** **** Aug. 8, 2006**

(54) **HAT HANGER**

(76) **Inventor:** **Darwin McGowan**, 8205 Brownsville
La., Bethany, OK (US) 73008

(**) **Term:** **14 Years**

(21) **Appl. No.:** **29/238,687**

(22) **Filed:** **Sep. 19, 2005**

(51) **LOC (8) Cl.** **06-08**

(52) **U.S. Cl.** **D6/317**

(58) **Field of Classification Search** D6/315,
D6/317, 323, 325, 327, 328; D8/367, 370,
D8/373; 211/13.1, 85.3, 116, 119; 223/85,
223/89, 90, 92, 94, 95, 97, 98, DIG. 1-4
See application file for complete search history.

(56) **References Cited**

U.S. PATENT DOCUMENTS

2,777,582	A	*	1/1957	Van Dusen	211/119
3,346,150	A	*	10/1967	Clopton	223/95
3,370,715	A	*	2/1968	Kolozsvari	211/116
5,169,007	A		12/1992	McHendry		
D357,813	S	*	5/1995	Koresko	D6/317

D378,167	S	*	2/1997	Jones, Jr.	D6/317
D428,711	S	*	8/2000	Rowley	D6/317
D438,022	S	*	2/2001	Bunn	D6/317
D506,076	S	*	6/2005	Weisgerber	D6/317

* cited by examiner

Primary Examiner—Mitchell Siegel

Assistant Examiner—Shanda C. Hill

(74) *Attorney, Agent, or Firm*—McAfee & Taft

(57) **CLAIM**

The ornamental design for a hat hanger, as shown and described.

DESCRIPTION

FIG. 1 is a perspective view of a hat hanger showing my new design;

FIG. 2 is a top plan view thereof;

FIG. 3 is a bottom plan view thereof;

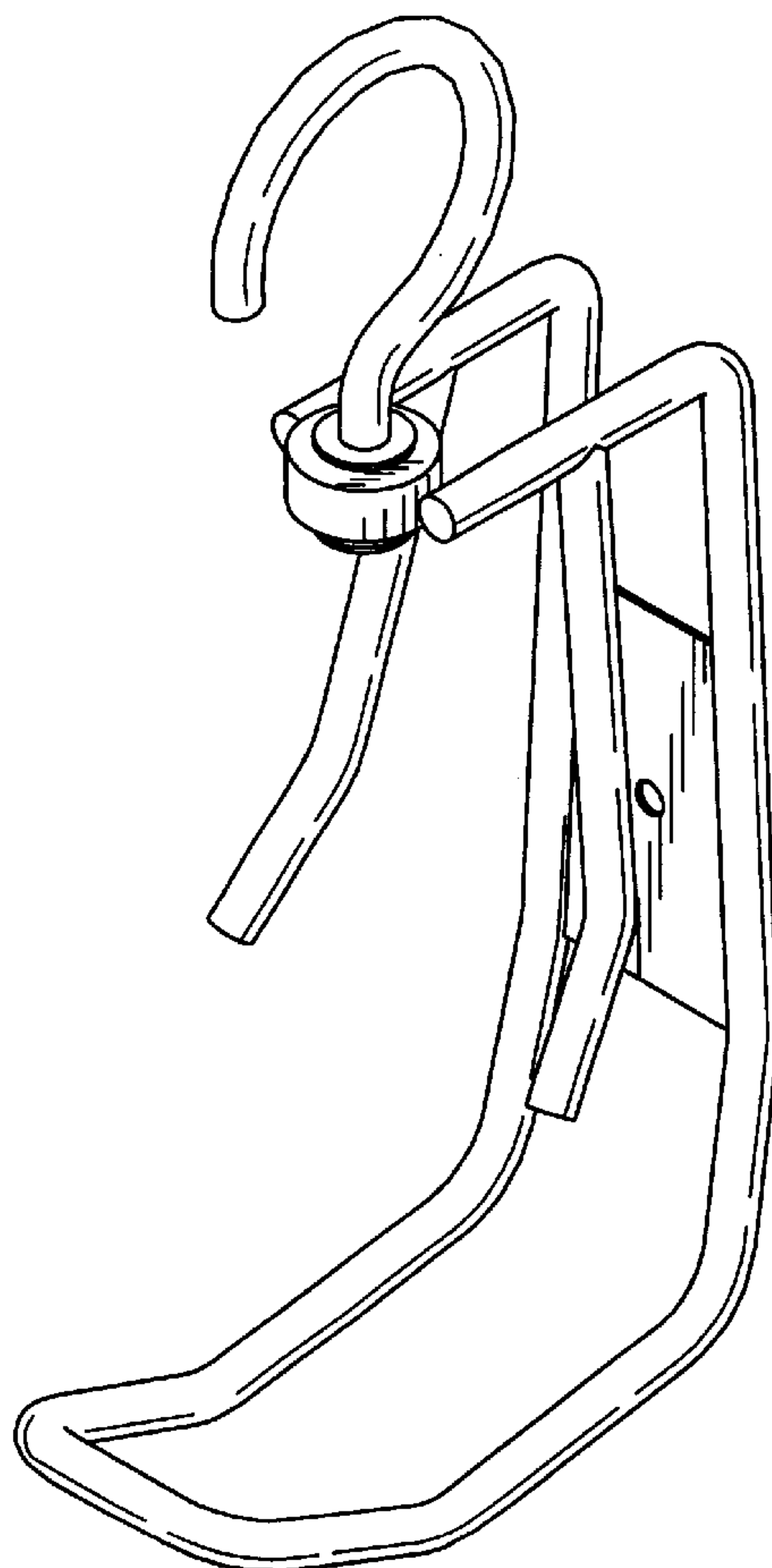
FIG. 4 is a front elevational view thereof;

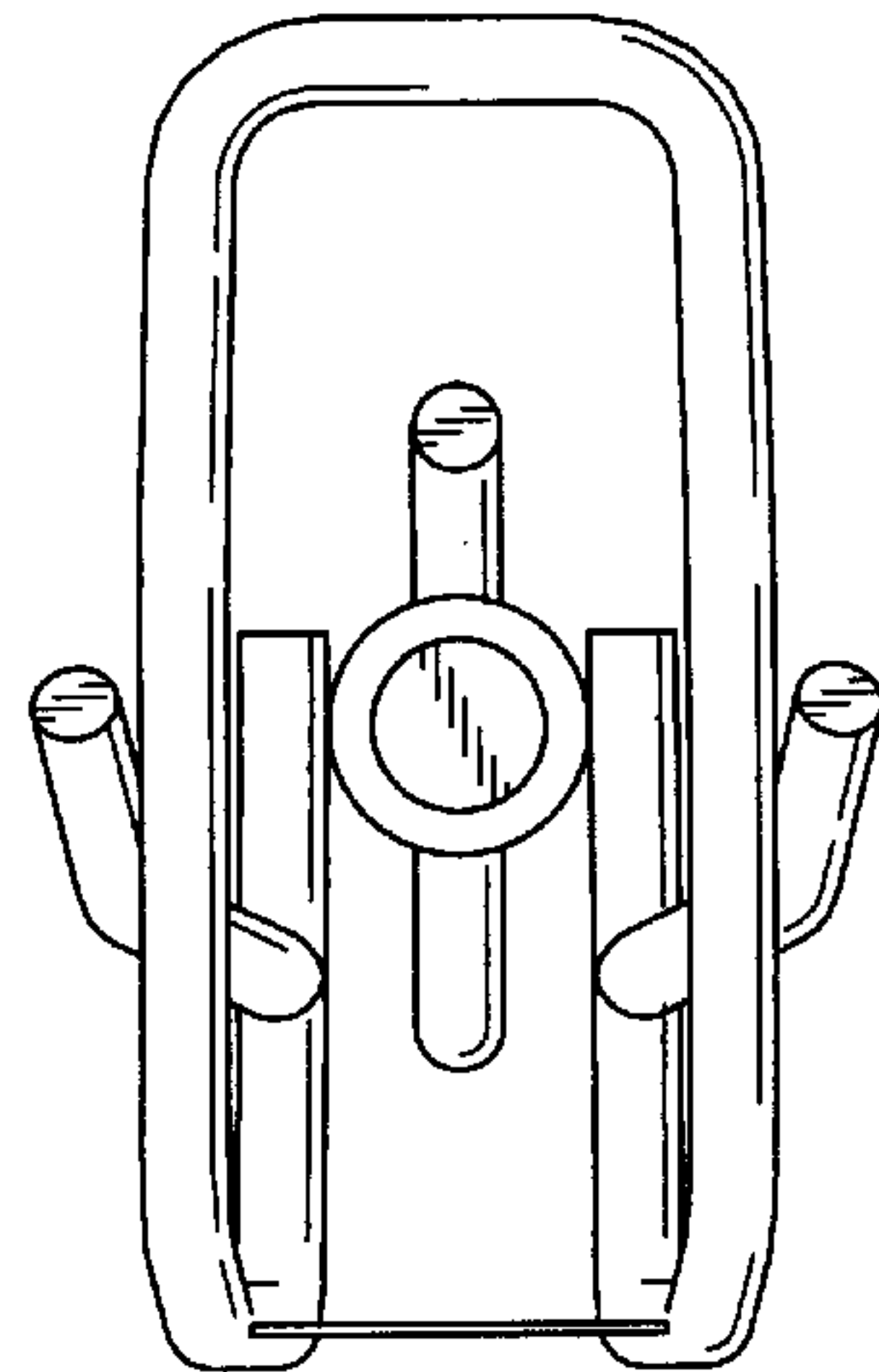
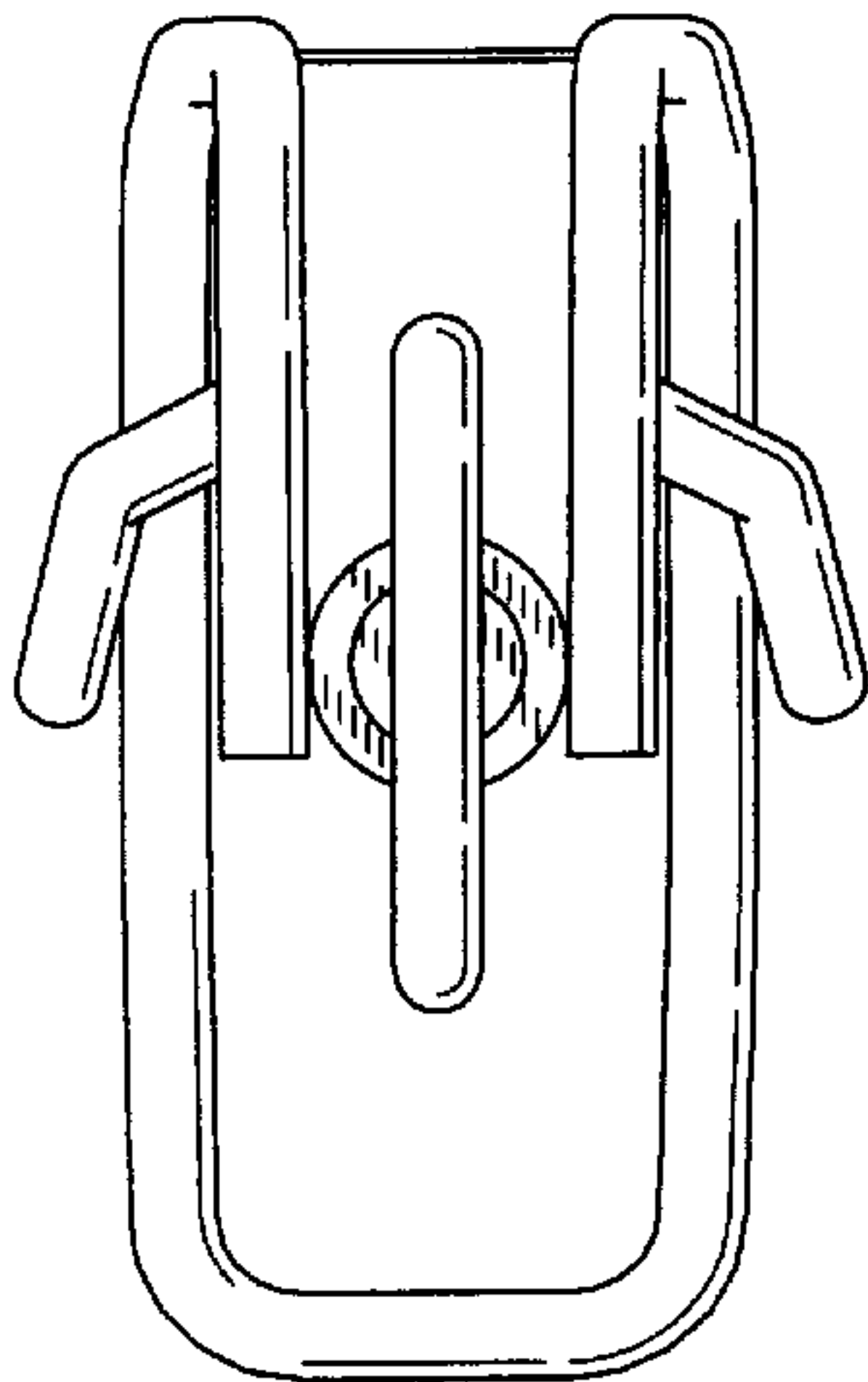
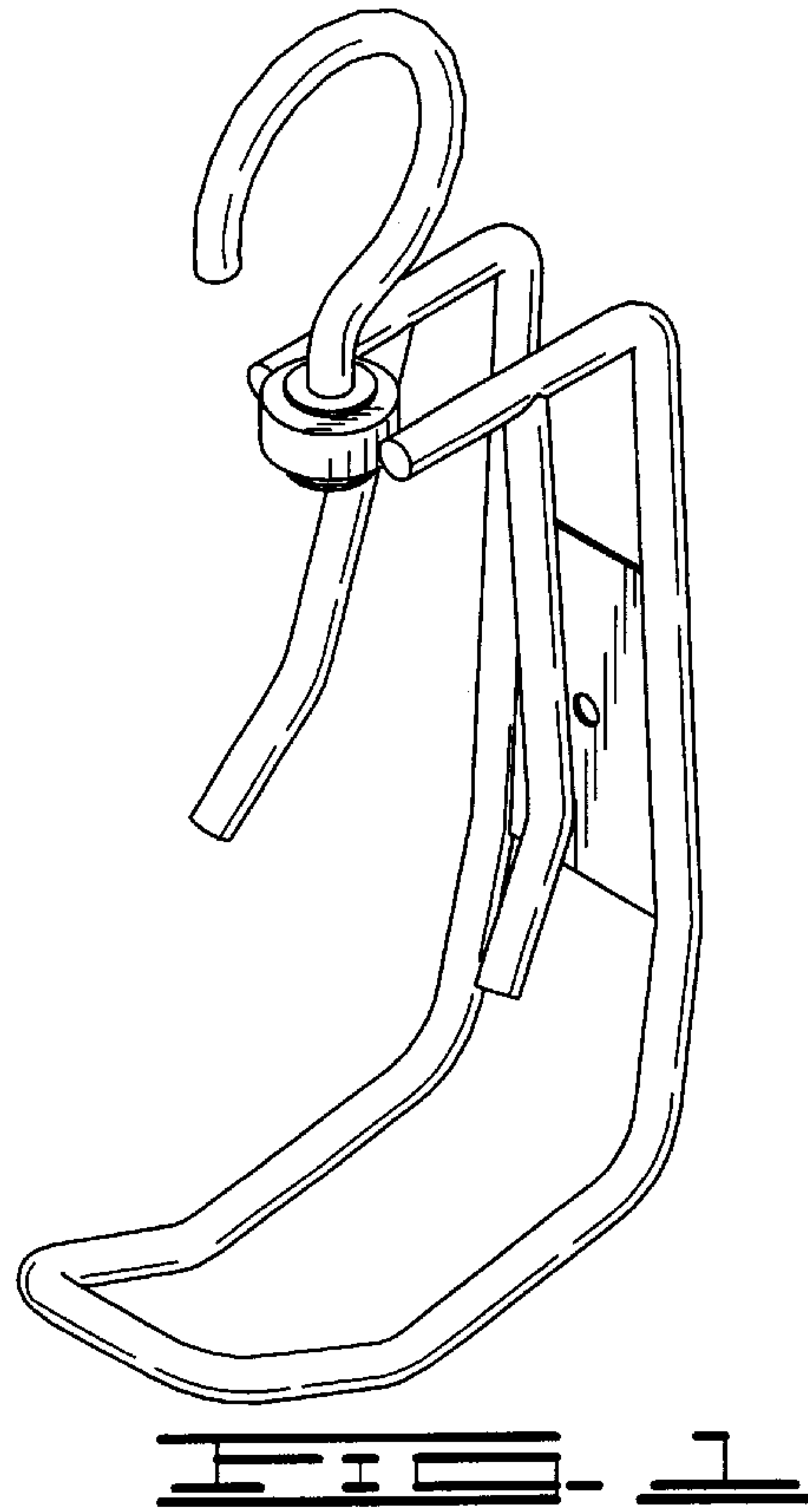
FIG. 5 is a rear elevational view thereof;

FIG. 6 is a left side elevational view thereof; and,

FIG. 7 is a right side elevational view thereof.

1 Claim, 3 Drawing Sheets





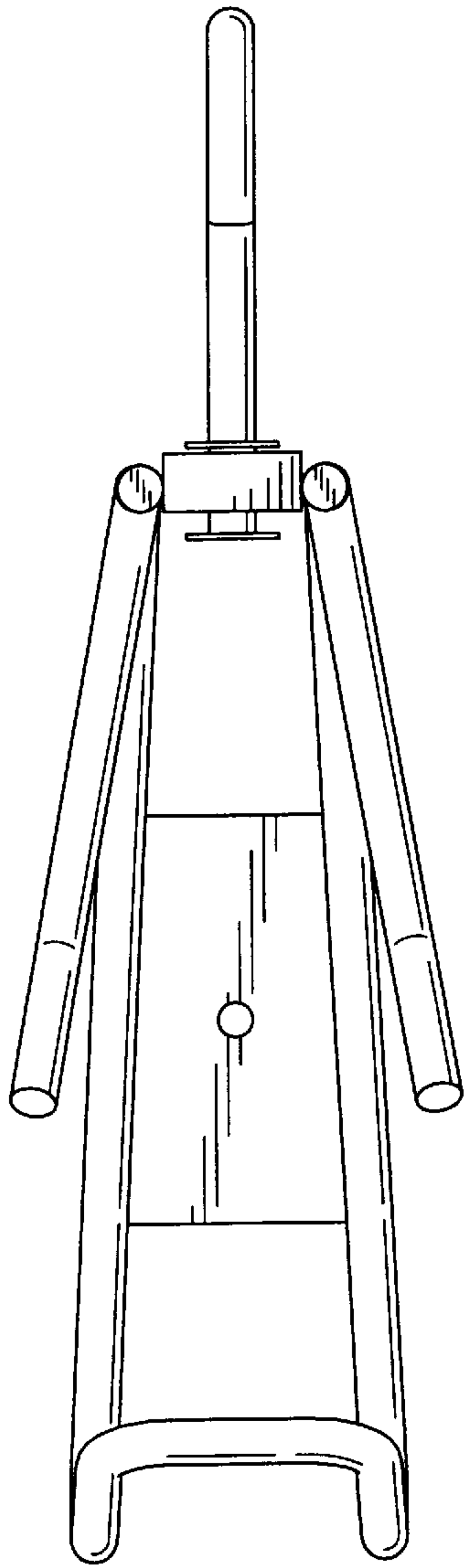


FIG. 4

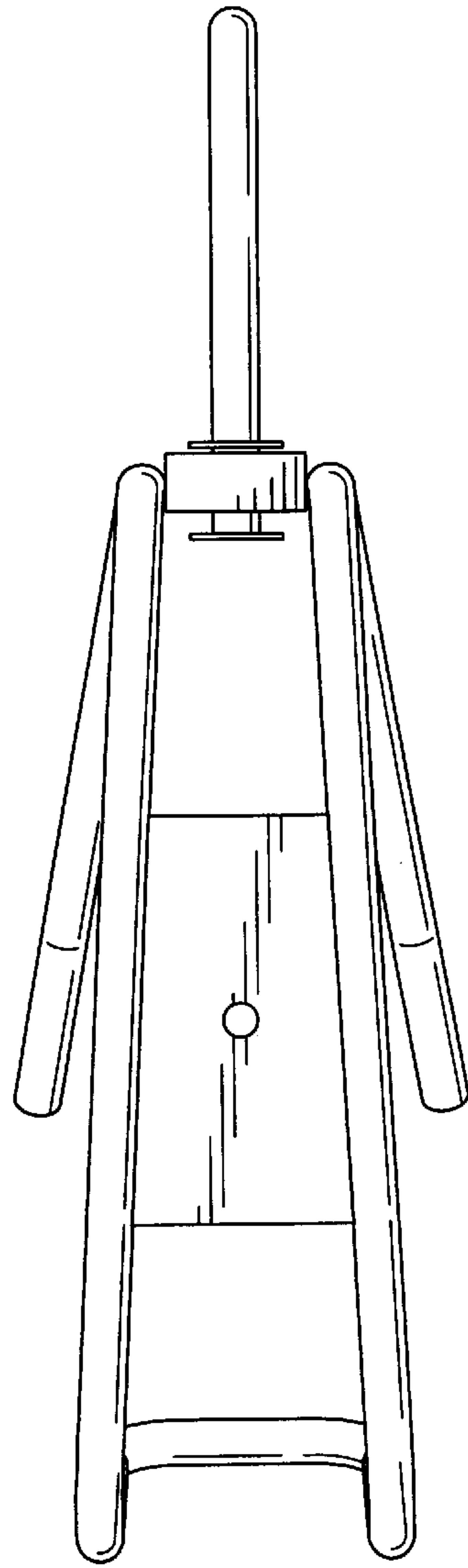


FIG. 5

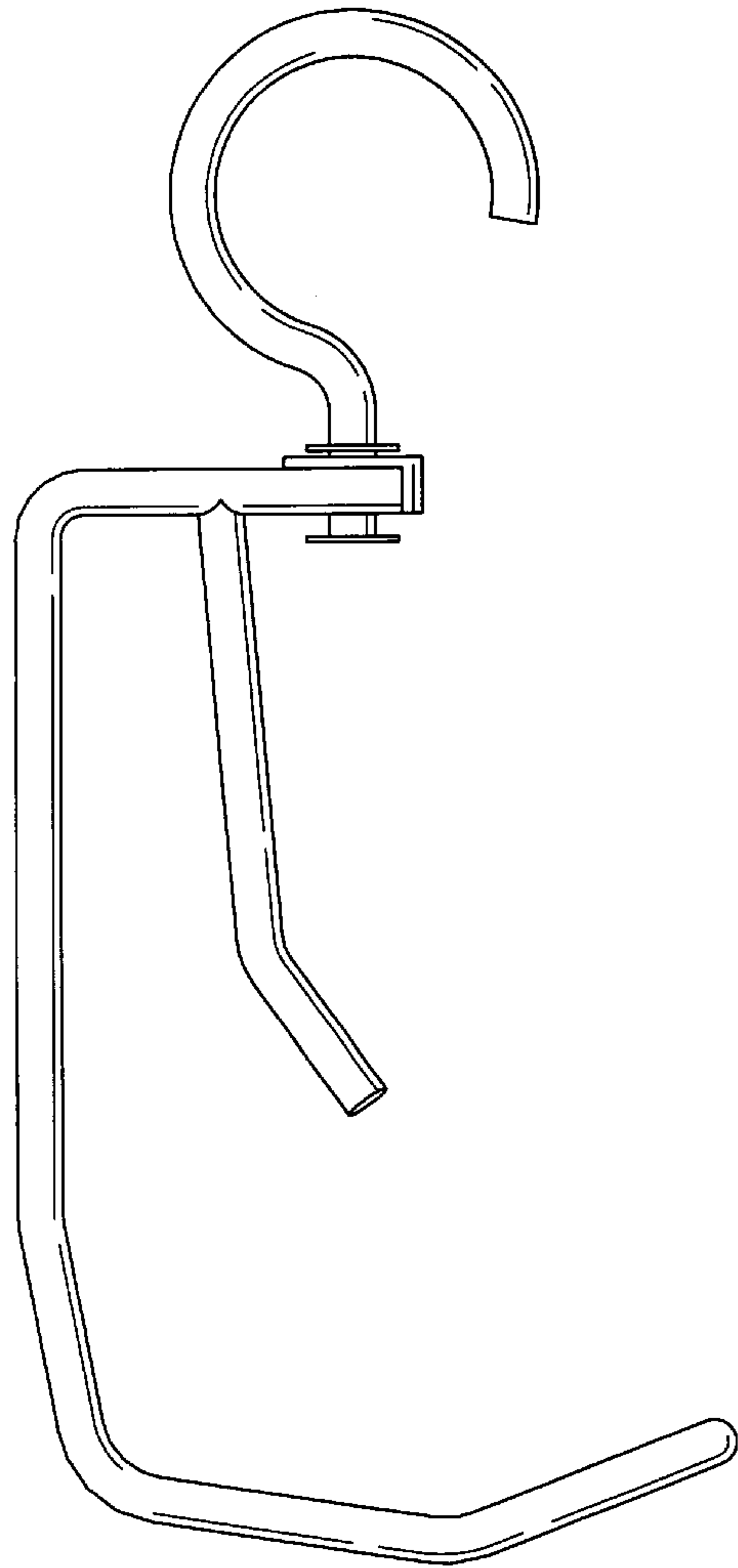


FIG. 1

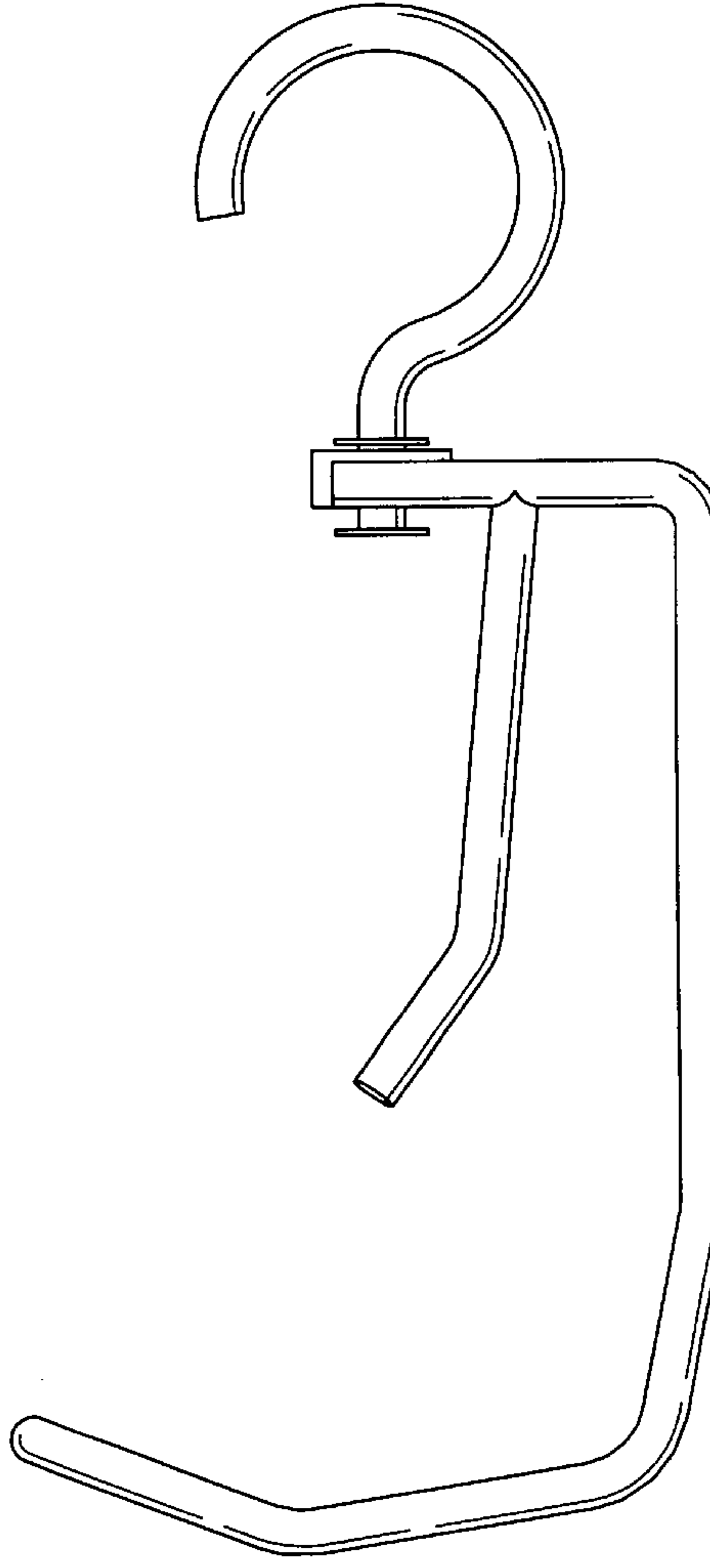


FIG. 2