



US00D526123S

(12) **United States Design Patent**
Broussard

(10) **Patent No.:** **US D526,123 S**

(45) **Date of Patent:** **** Aug. 8, 2006**

(54) **EQUIPMENT CASE**

(76) Inventor: **Christine Broussard**, 15033 Lilly Ave.,
Baton Rouge, LA (US) 70816

(**) Term: **14 Years**

(21) Appl. No.: **29/210,410**

(22) Filed: **Jul. 29, 2004**

(51) **LOC (8) Cl.** **03-01**

(52) **U.S. Cl.** **D3/287; D3/283**

(58) **Field of Classification Search** D3/268,
D3/270, 271.1, 273, 276, 281-285, 287, 289,
D3/290, 321, 900, 902; 190/100, 109, 115,
190/900, 903

See application file for complete search history.

(56) **References Cited**

U.S. PATENT DOCUMENTS

D246,549 S	*	11/1977	Crane	D3/282
D313,506 S	*	1/1991	Bjorg	D3/287
5,908,147 A	*	6/1999	Chuang	224/607
5,938,096 A	*	8/1999	Sauer et al.	224/625
5,975,306 A	*	11/1999	Napier	206/581
6,179,102 B1	*	1/2001	Weber et al.	190/109

OTHER PUBLICATIONS

ZERO Halliburton Purse at www.altmanluggage.com/Shop-Site/gl_zero_ladies.html (appeared this site Apr. 16, 2003).*

Samsonite GENESIS 5" Attache at www.altmanluggage.com/ShopSite/samsonite_cases.html (first appeared this site Feb. 9, 2004).*

Time Motion Tools (catalog): Electronics Service Tool Kit & Compact Field Service Kit, p. 26, Feb. 2004.*

* cited by examiner

Primary Examiner—Philip S. Hyder

Assistant Examiner—RoseLynne (Ulm) Cody

(74) *Attorney, Agent, or Firm*—Jones, Walker, Waecher, Poitevent, Carrere, & Denegre, L.L.P.

(57) **CLAIM**

The ornamental design for an equipment case, as shown and described.

DESCRIPTION

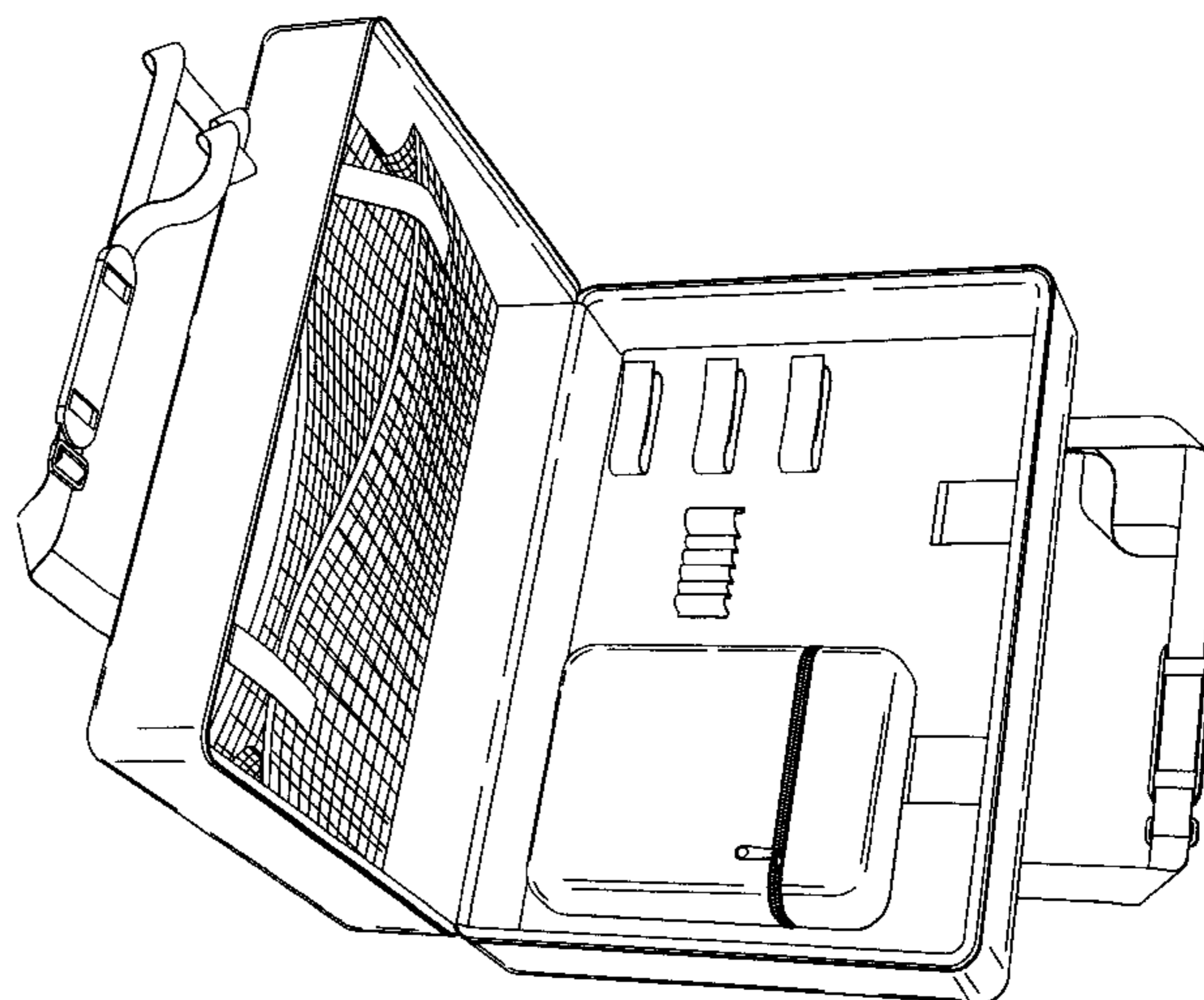
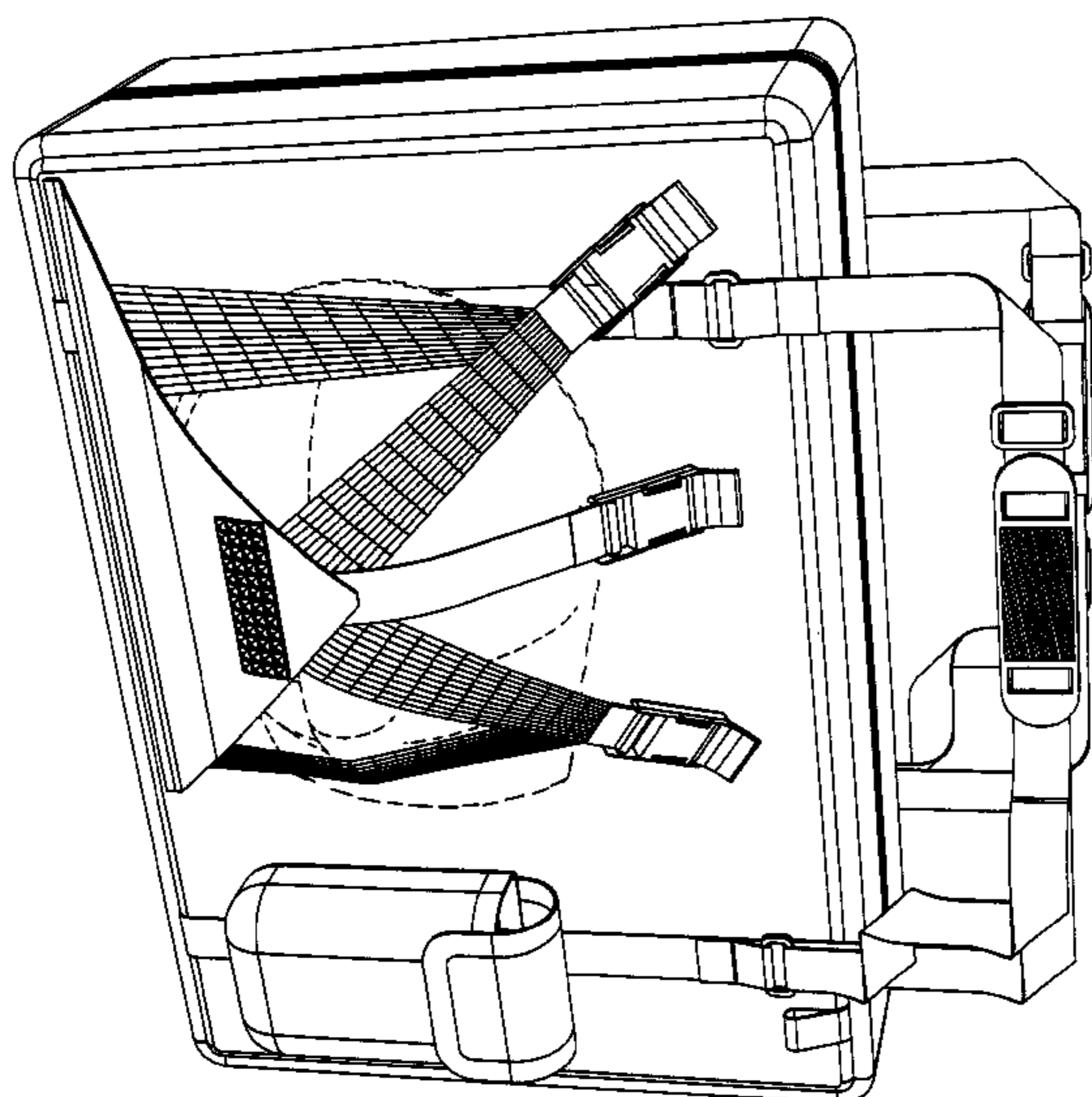
FIG. 1 is a front perspective view of an equipment case, showing my design;

FIG. 2 is a perspective view thereof in the open position; and,

FIG. 3 is a rear perspective view thereof.

The devices shown in broken lines in FIGS. 1 and 3 are for illustrative purposes only and form no part of the claimed design.

1 Claim, 3 Drawing Sheets



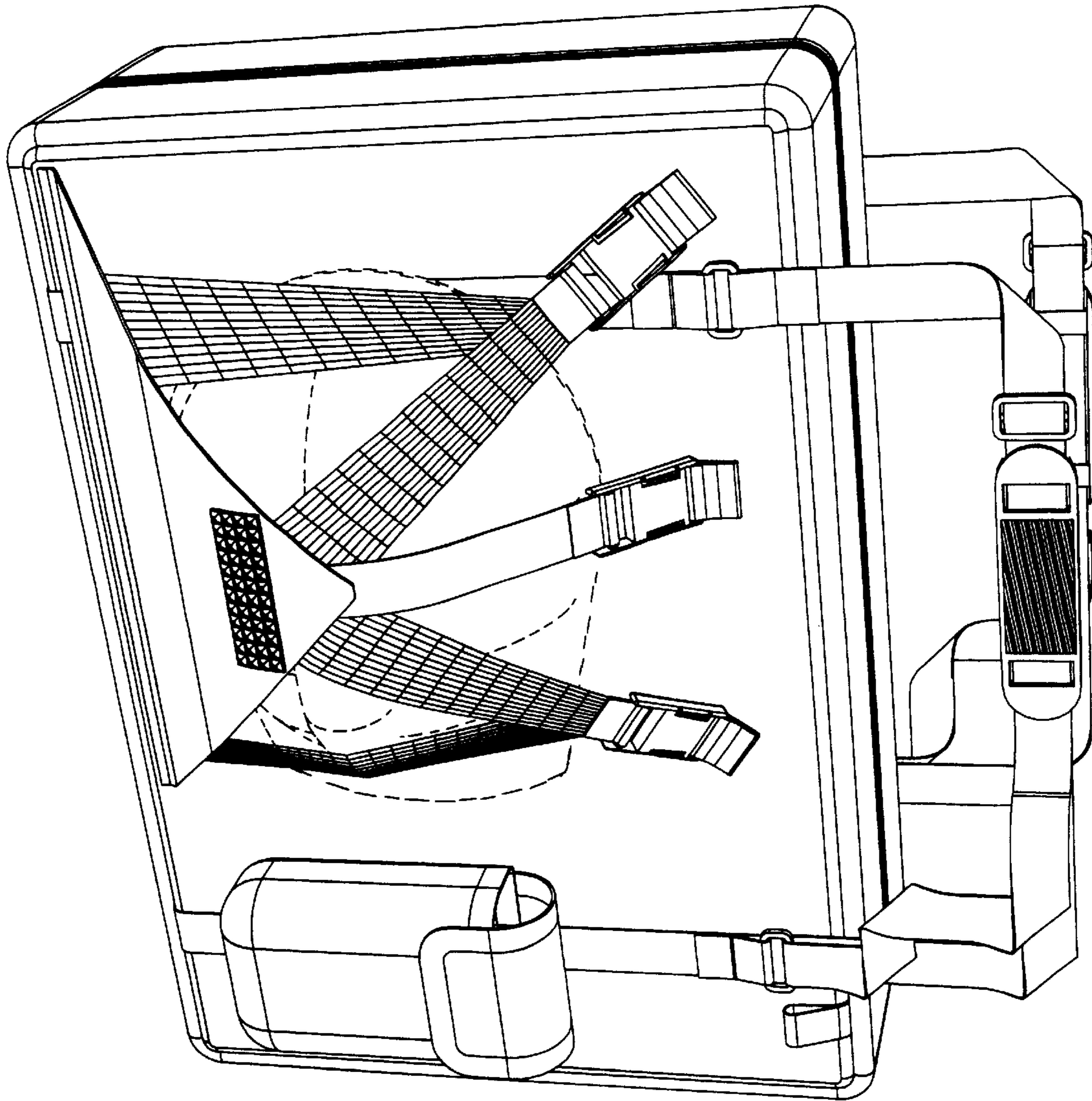


FIGURE 1

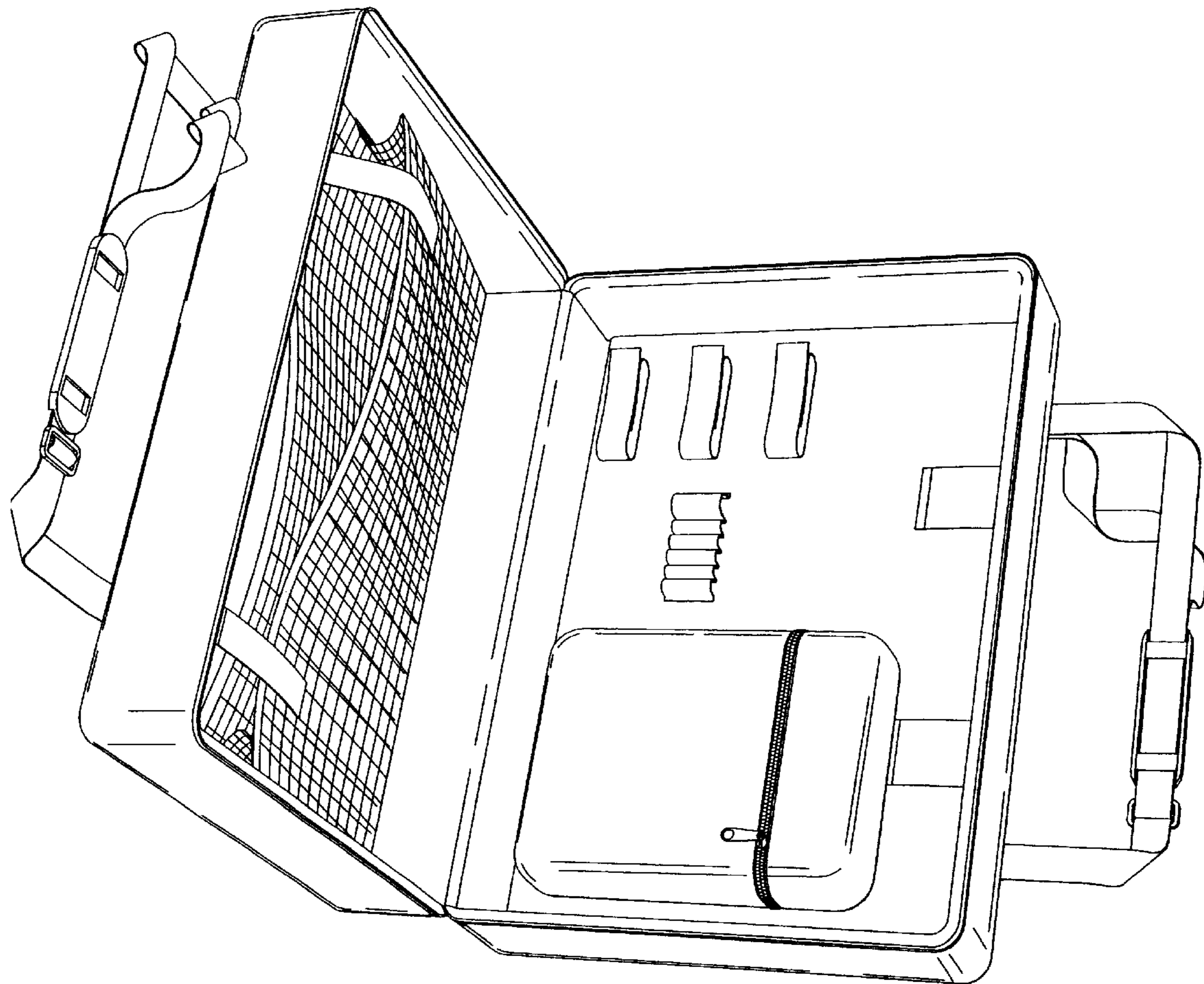


FIGURE 2

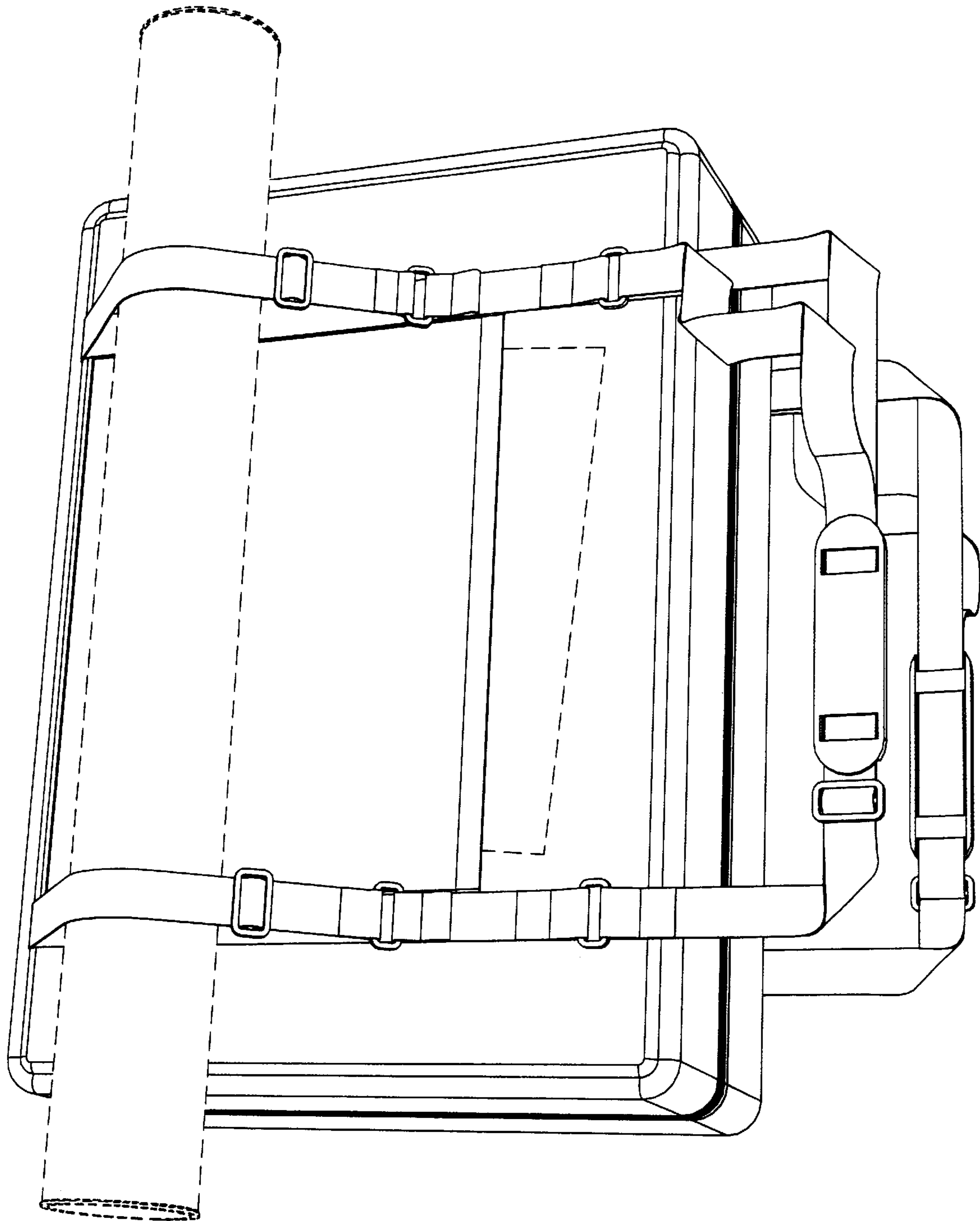


FIGURE 3