

US00D526119S

(12) **United States Design Patent**  
**Lederer et al.**

(10) **Patent No.:** **US D526,119 S**

(45) **Date of Patent:** **\*\* Aug. 8, 2006**

(54) **NOTEPAD WITH LANYARD AND DOCUMENT HOLDER**

(75) Inventors: **Joshua B. Lederer**, Brookline, MA (US); **Mark T. Salander**, Barrington, RI (US); **Agnes Csilla Domotor**, W. Medford, MA (US)

(73) Assignee: **The Gem Group**, Lawrence, MA (US)

(\*\*) Term: **14 Years**

(21) Appl. No.: **29/226,799**

(22) Filed: **Apr. 1, 2005**

(51) **LOC (8) Cl.** ..... **03-01**

(52) **U.S. Cl.** ..... **D3/227**

(58) **Field of Classification Search** ..... D3/227,  
D3/215, 230, 226, 299, 273, 303; 224/604;  
40/1.5; 150/131, 132, 145, 147, 149  
See application file for complete search history.

(56) **References Cited**

**U.S. PATENT DOCUMENTS**

D479,647 S	*	9/2003	Paura et al.	.....	D3/215
D484,689 S	*	1/2004	Hansen et al.	.....	D3/227
6,766,932 B1	*	7/2004	Hansen et al.	.....	224/604
D503,535 S	*	4/2005	Kraft	.....	D3/299

**OTHER PUBLICATIONS**

George R. Moreau et al., "Magnetic Notepad Holder", U.S. Appl. No. 10/753,710, filed Jan. 8, 2004. Specification and Drawings.

George R. Moreau et al., "Magnetic Notepad Holder", U.S. Appl. No. 10/972,493, filed Oct. 24, 2004. Specification and Drawings.

Joshua B. Lederer, "Notepad with Lanyard and Document Holder", U.S. Utility Patent Application, filed on even date herewith, Specification and Drawings.

\* cited by examiner

*Primary Examiner*—Catherine R. Oliver

(74) *Attorney, Agent, or Firm*—Cesari and McKenna, LLP; William A. Loginov

(57) **CLAIM**

The ornamental design for a notepad with lanyard and document holder, substantially as shown.

**DESCRIPTION**

FIG. 1 is a front perspective view of a notepad with lanyard and document holder showing our new design;

FIG. 2 is a front view thereof;

FIG. 3 is a rear view thereof;

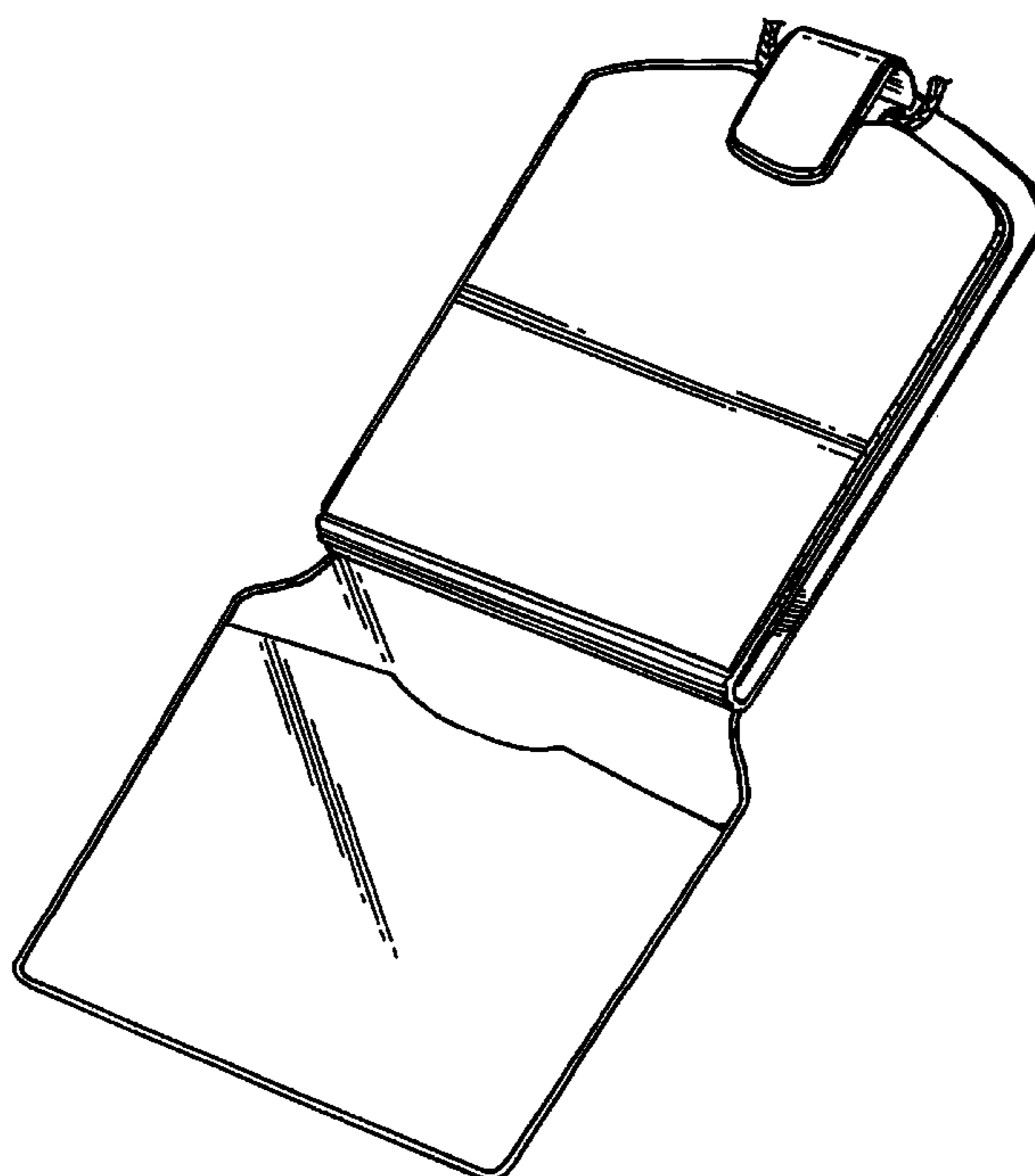
FIG. 4 is a left-side view thereof;

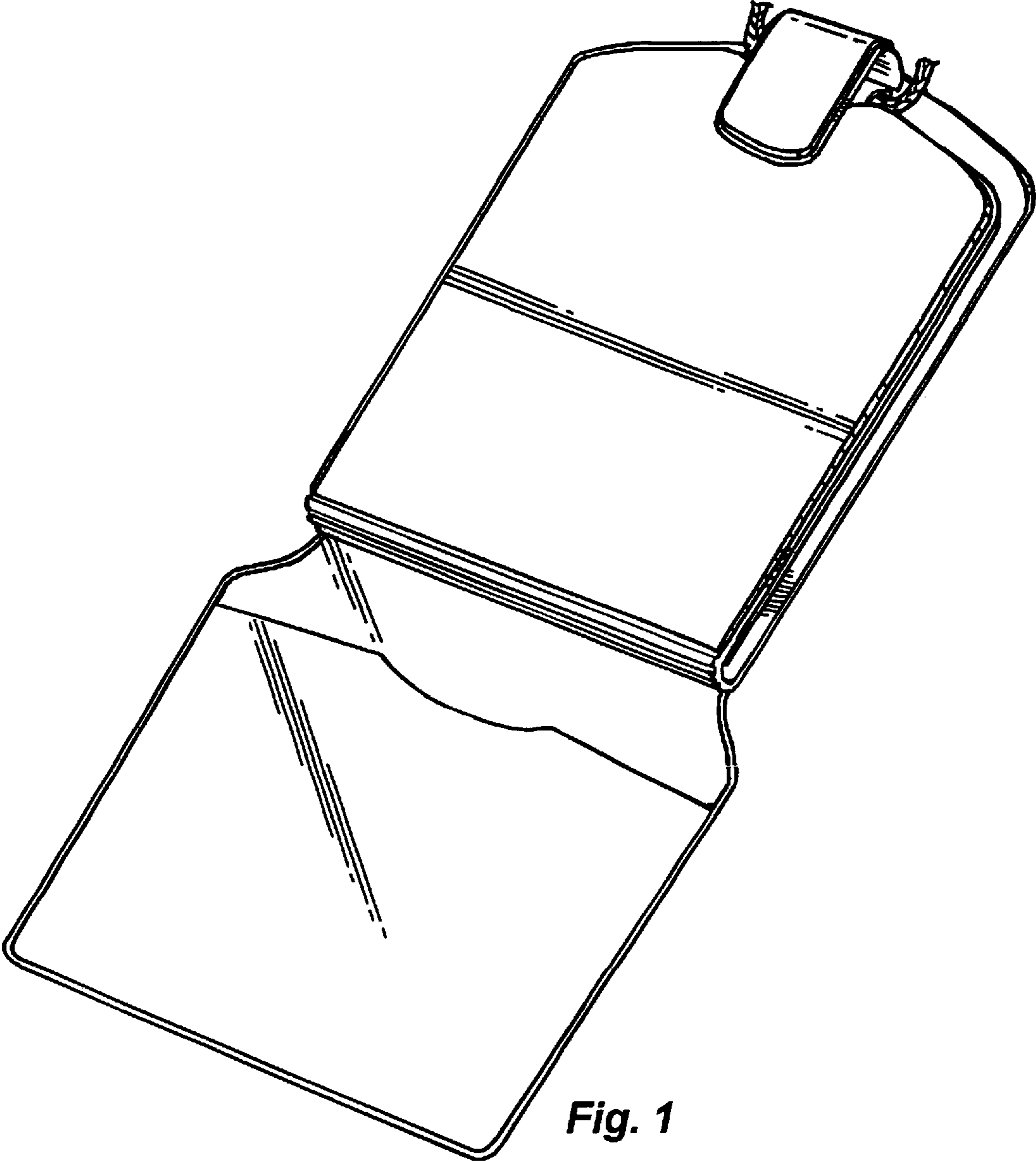
FIG. 5 is a right-side view thereof;

FIG. 6 is a top view thereof; and,

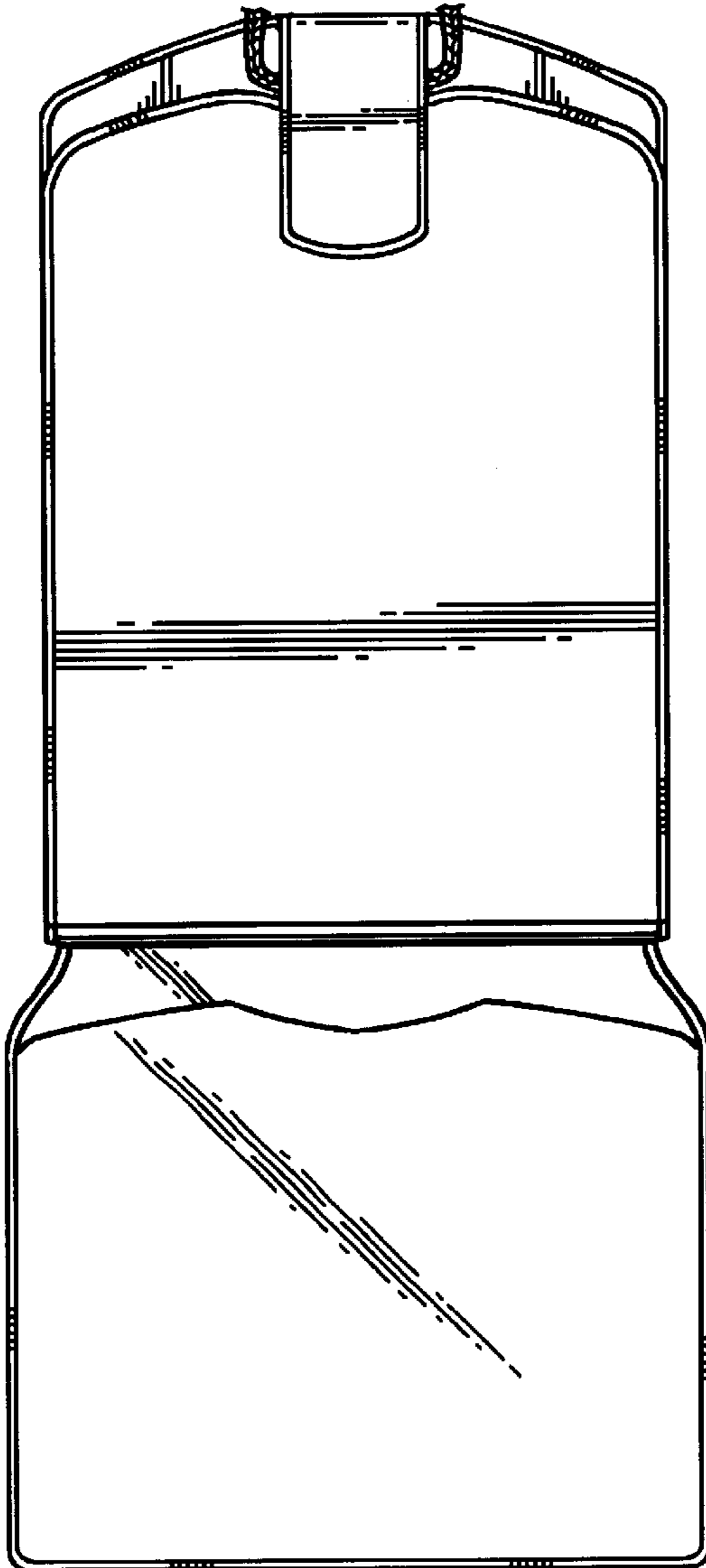
FIG. 7 is a bottom view thereof.

**1 Claim, 3 Drawing Sheets**

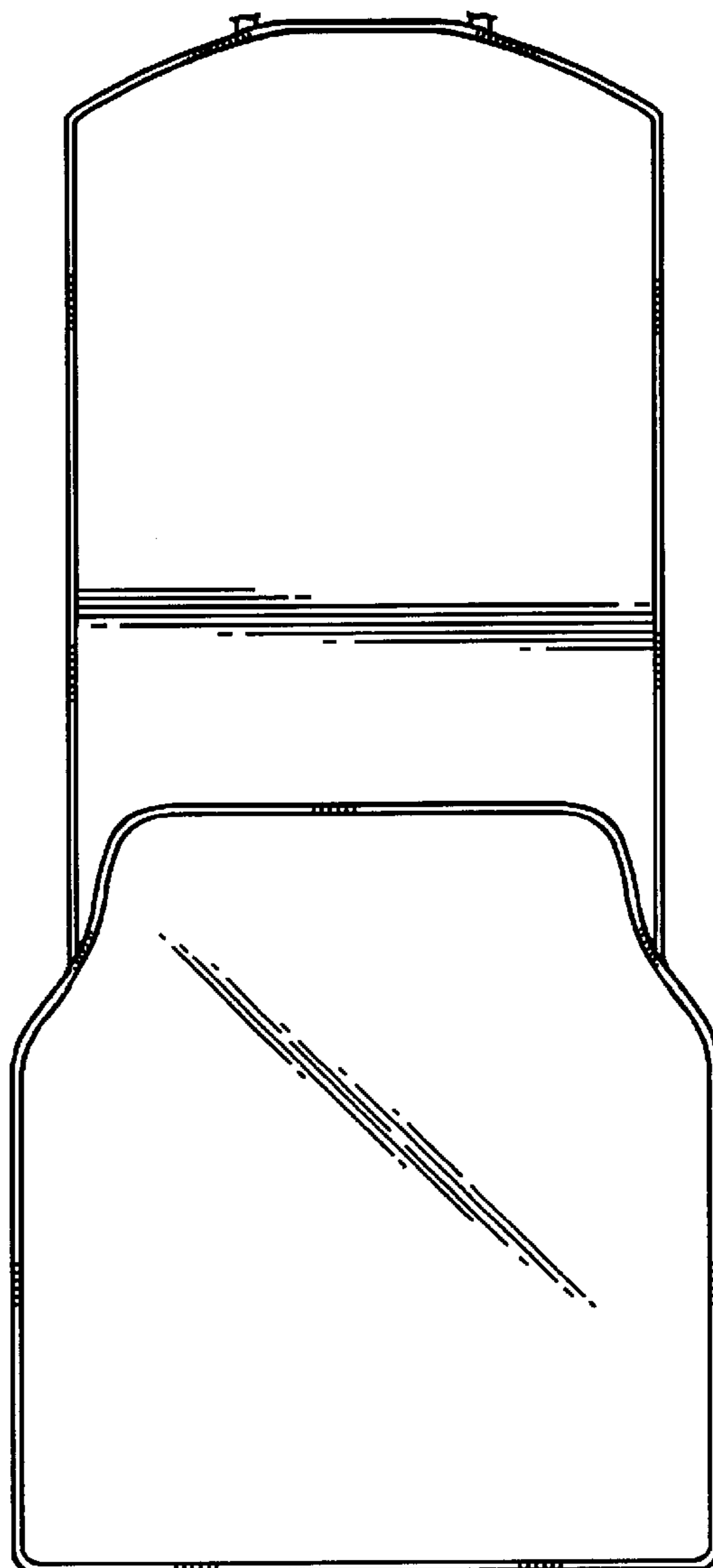




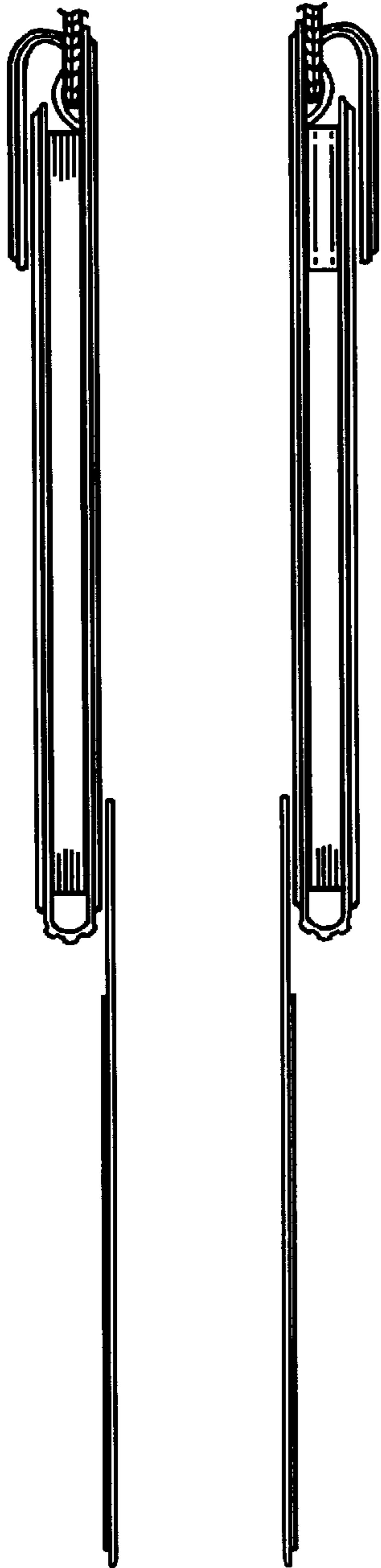
**Fig. 1**



*Fig. 2*



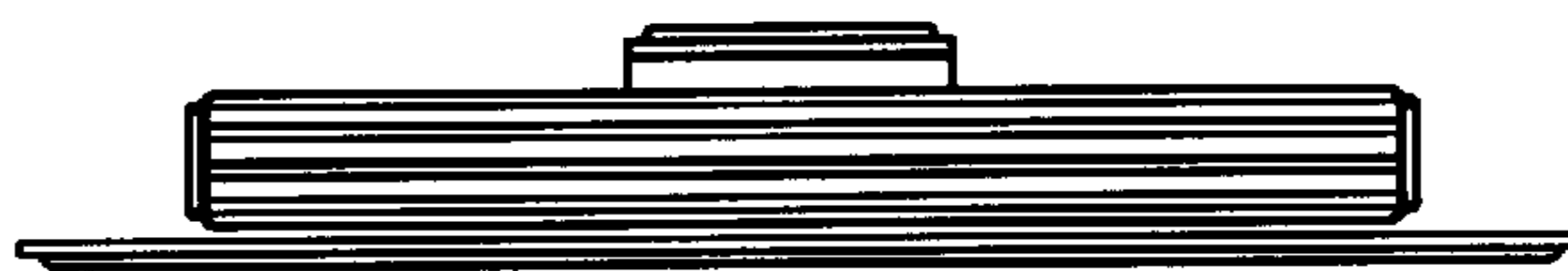
*Fig. 3*



*Fig. 4* *Fig. 5*



*Fig. 6*



*Fig. 7*