



US00D526112S

(12) **United States Design Patent**  
**Martin et al.**

(10) **Patent No.:** **US D526,112 S**

(45) **Date of Patent:** **\*\* Aug. 8, 2006**

(54) **CANDY BAR**

D497,466 S 10/2004 Van De Wal et al. .... D1/127  
D498,343 S 11/2004 Malina et al. .... D1/127  
D499,228 S 12/2004 Malina et al. .... D1/127

(75) Inventors: **John M. Martin**, Blairstown, NJ (US);  
**Eileen Brown**, Blairstown, NJ (US)

**OTHER PUBLICATIONS**

(73) Assignee: **Mars Incorporated**, McLean, VA (US)

U.S. Appl. No. 29/216,291, filed Nov. 2, 2004, John M. Martin et al.

(\*\*) Term: **14 Years**

U.S. Appl. No. 29/217,856, filed Nov. 24, 2004, John M. Martin et al.

(21) Appl. No.: **29/237,926**

\* cited by examiner

(22) Filed: **Sep. 9, 2005**

*Primary Examiner*—Pamela Burgess

**Related U.S. Application Data**

(74) *Attorney, Agent, or Firm*—Fitzpatrick, Cella, Harper & Scinto

(62) Division of application No. 29/219,804, filed on Dec. 23, 2004.

(57) **CLAIM**

(51) **LOC (8) Cl.** ..... **01-01**

The design for a candy bar, substantially as shown and described.

(52) **U.S. Cl.** ..... **D1/127; D1/114**

(58) **Field of Classification Search** ..... D1/106,  
D1/127, 114, 128, 100; 426/383, 660, 514,  
426/593, 94, 76, 144, 104, 512, 128, 5  
See application file for complete search history.

**DESCRIPTION**

This application is a Division of 29/219,804 Dec. 23, 2004. FIG. 1 is a top perspective view of a candy bar showing our new design;

(56) **References Cited**

**U.S. PATENT DOCUMENTS**

4,946,696 A 8/1990 Nendl et al. .... 426/383  
D343,268 S 1/1994 Kraus ..... D1/114  
6,129,936 A 10/2000 Gustafsson ..... 426/5  
6,406,733 B1 \* 6/2002 Willcocks et al. .... 426/515  
6,413,563 B1 \* 7/2002 Blaschke et al. .... 426/144  
6,627,239 B1 9/2003 Gavie et al. .... 426/128

FIG. 2 is a top plan view thereof;

FIG. 3 is a front elevational view thereof, the rear elevational view being identical; and,

FIG. 4 is a right side elevational view thereof, the left side being identical.

The bottom of the candy bar forms no part of the claimed design.

**1 Claim, 3 Drawing Sheets**

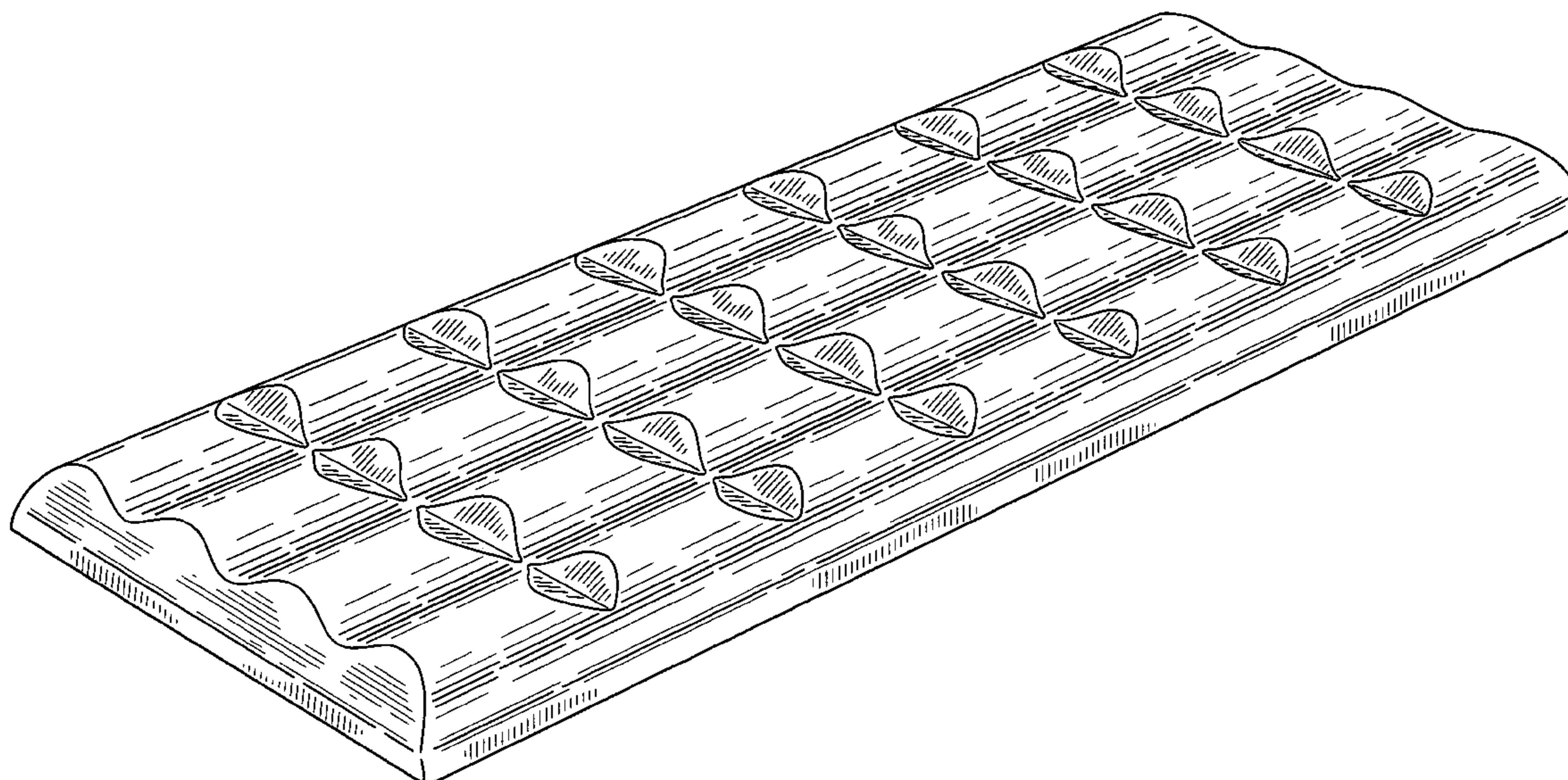


FIG. 1

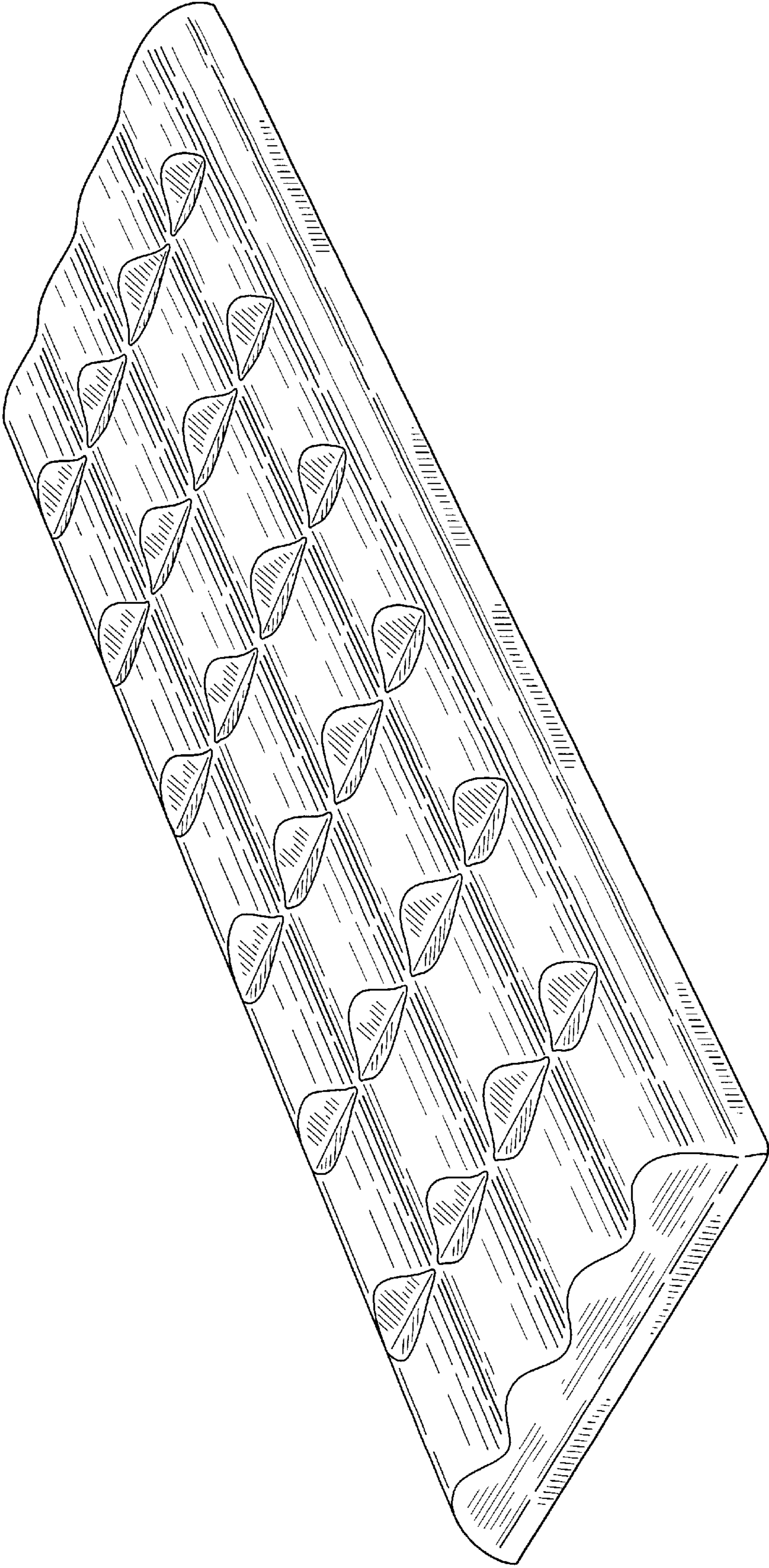
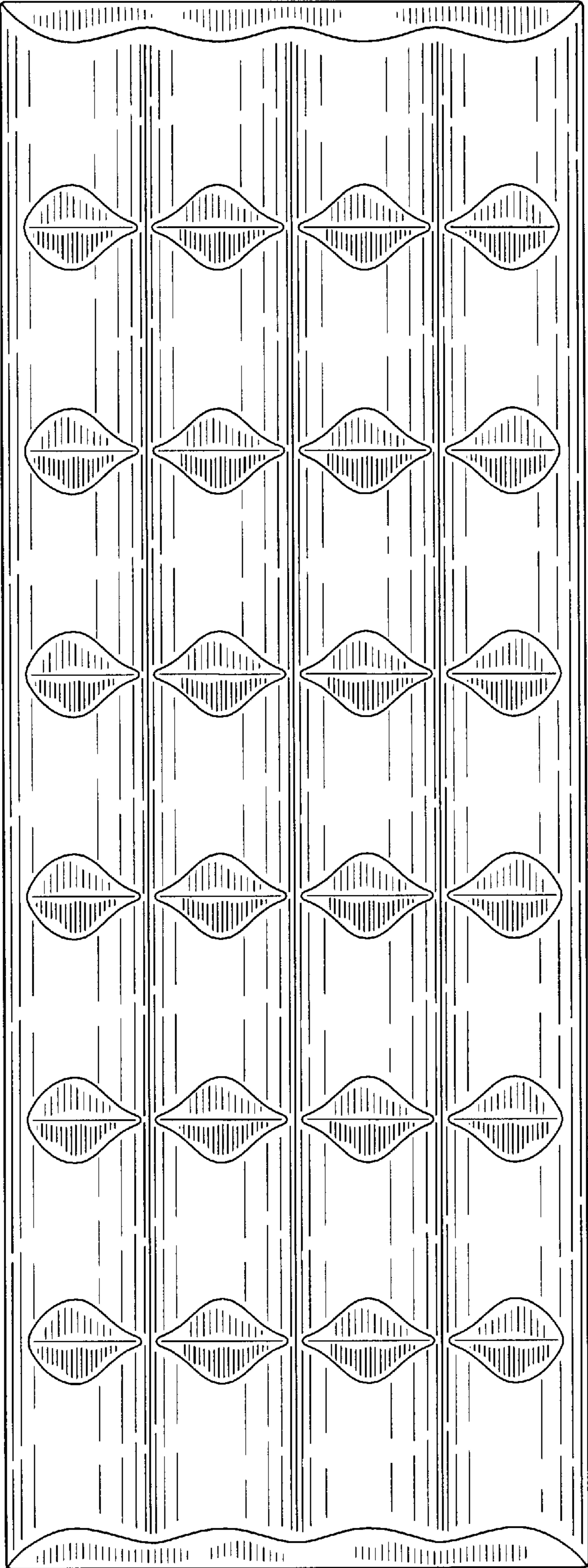
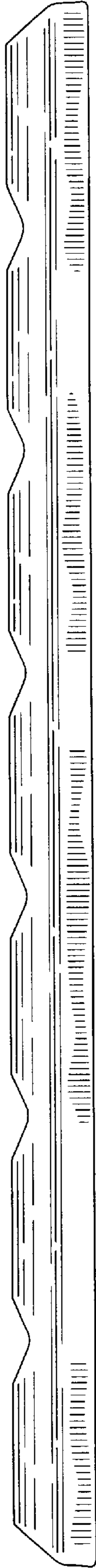




FIG. 2



**FIG. 3**



**FIG. 4**

