



US00D526107S

(12) **United States Design Patent**  
**Duchene**

(10) **Patent No.:** **US D526,107 S**

(45) **Date of Patent:** **\*\* Aug. 1, 2006**

(54) **SHOPPING CART HANDLE**  
(75) Inventor: **Val-Jean Duchene**, Wagoner, OK (US)

D488,904 S \* 4/2004 Unnerstall et al. .... D34/17  
D493,932 S \* 8/2004 Prather et al. .... D34/21  
D501,974 S \* 2/2005 Lawson et al. .... D34/27

(73) Assignee: **Unarco Industries, Inc.**, Wagoner, OK (US)

\* cited by examiner

(\*\*) Term: **14 Years**

*Primary Examiner*—Freda Nunn

*Assistant Examiner*—Kevin K. Rudzinski

(74) *Attorney, Agent, or Firm*—Wood, Phillips, Katz, Clark & Mortimer

(21) Appl. No.: **29/233,013**

(22) Filed: **Jun. 24, 2005**

(57) **CLAIM**

The ornamental design for a shopping cart handle, as shown and described.

(51) **LOC (8) Cl.** ..... **12-02**

(52) **U.S. Cl.** ..... **D34/27**

(58) **Field of Classification Search** ..... D34/12-27;  
280/33.991-7, 47.17, 47.19, 47.24, 47.26,  
280/47.29, 47.35, 47.38, 79.11, 79.2, 79.3  
See application file for complete search history.

**DESCRIPTION**

FIG. 1 is a perspective view of a shopping cart handle, showing my new design;  
FIG. 2 is a front view thereof;  
FIG. 3 is a rear view thereof;  
FIG. 4 is a top view thereof; and,  
FIG. 5 is a side view thereof, showing the far side of the combination as shown in FIG. 1, the other side being a mirror image of the side shown.  
A basket, casters, and other elements shown in broken lines are shown for illustrative purposes only and form no part of the claimed design.

(56) **References Cited**

**U.S. PATENT DOCUMENTS**

2,890,058	A	*	6/1959	Cauthon	.....	280/33.995
2,927,757	A	*	3/1960	Omohundro et al.	.....	248/413
3,534,975	A	*	10/1970	Strandhagen	.....	280/47.38
5,865,449	A	*	2/1999	Castaneda	.....	280/33.996
6,237,924	B1	*	5/2001	Reiland et al.	.....	280/33.993
6,270,093	B1	*	8/2001	Johnson et al.	.....	280/33.993
D463,647	S	*	9/2002	Deal et al.	.....	D34/21

**1 Claim, 3 Drawing Sheets**

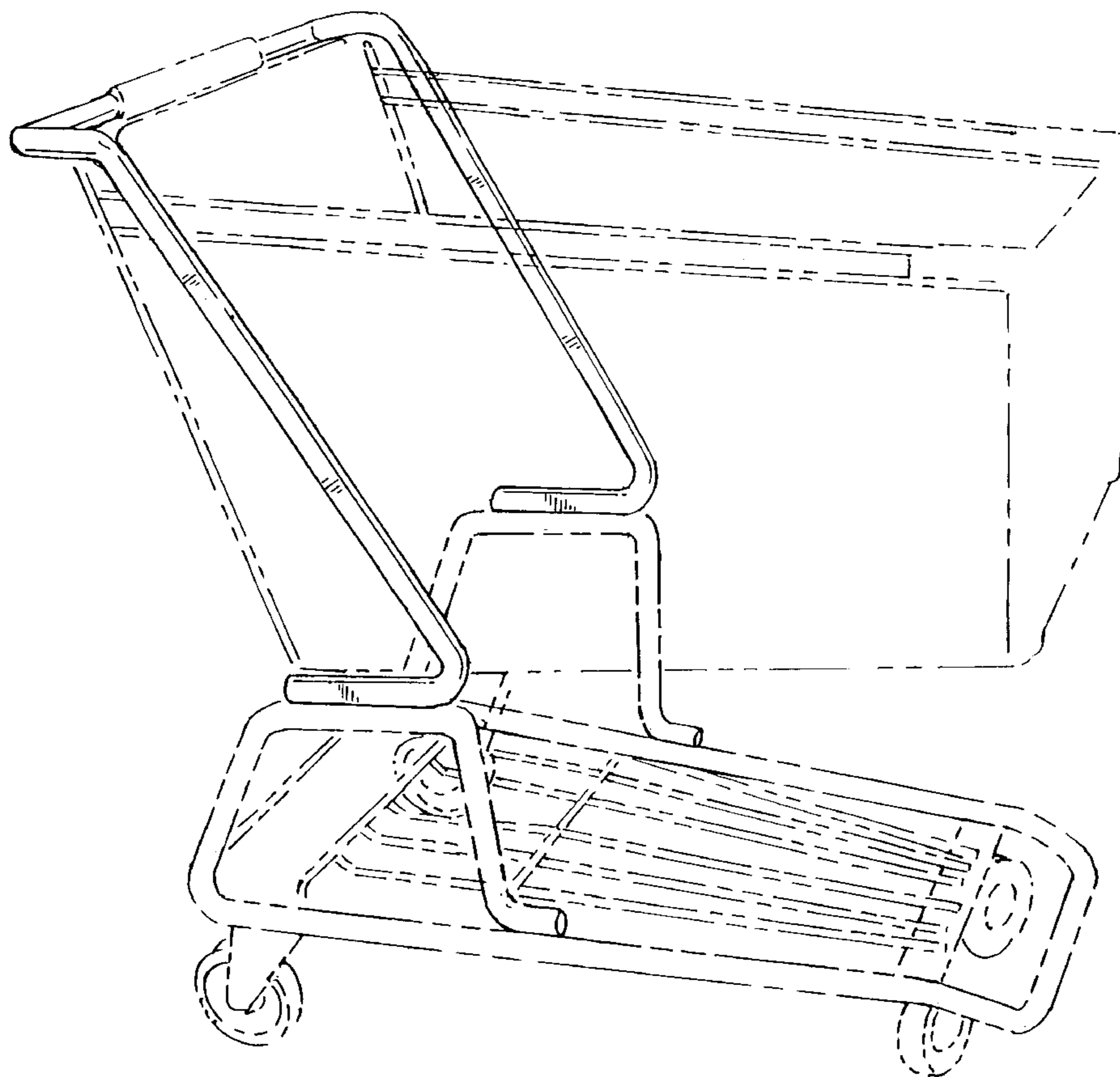


FIG. 1

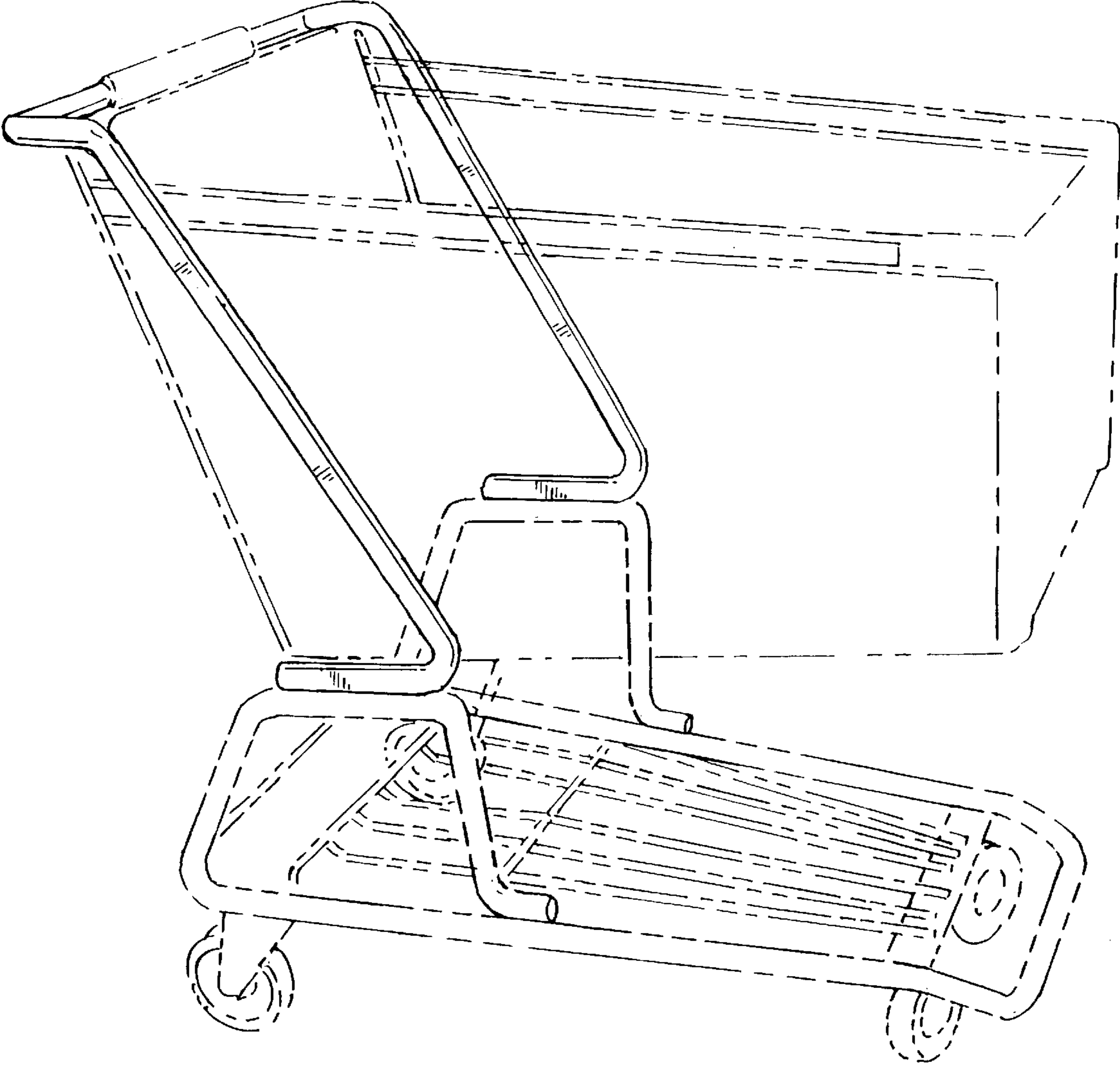


FIG. 2

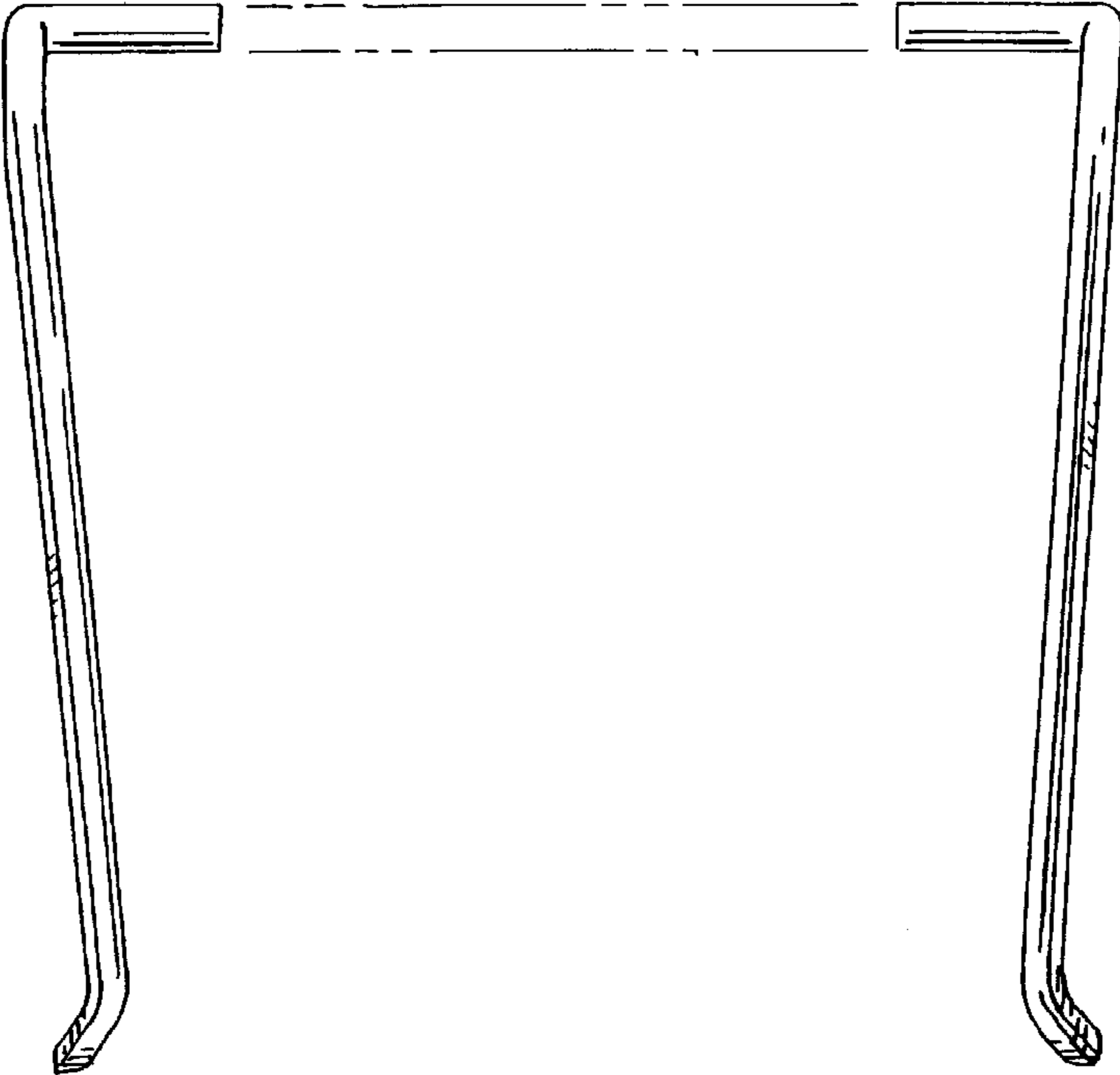


FIG. 3

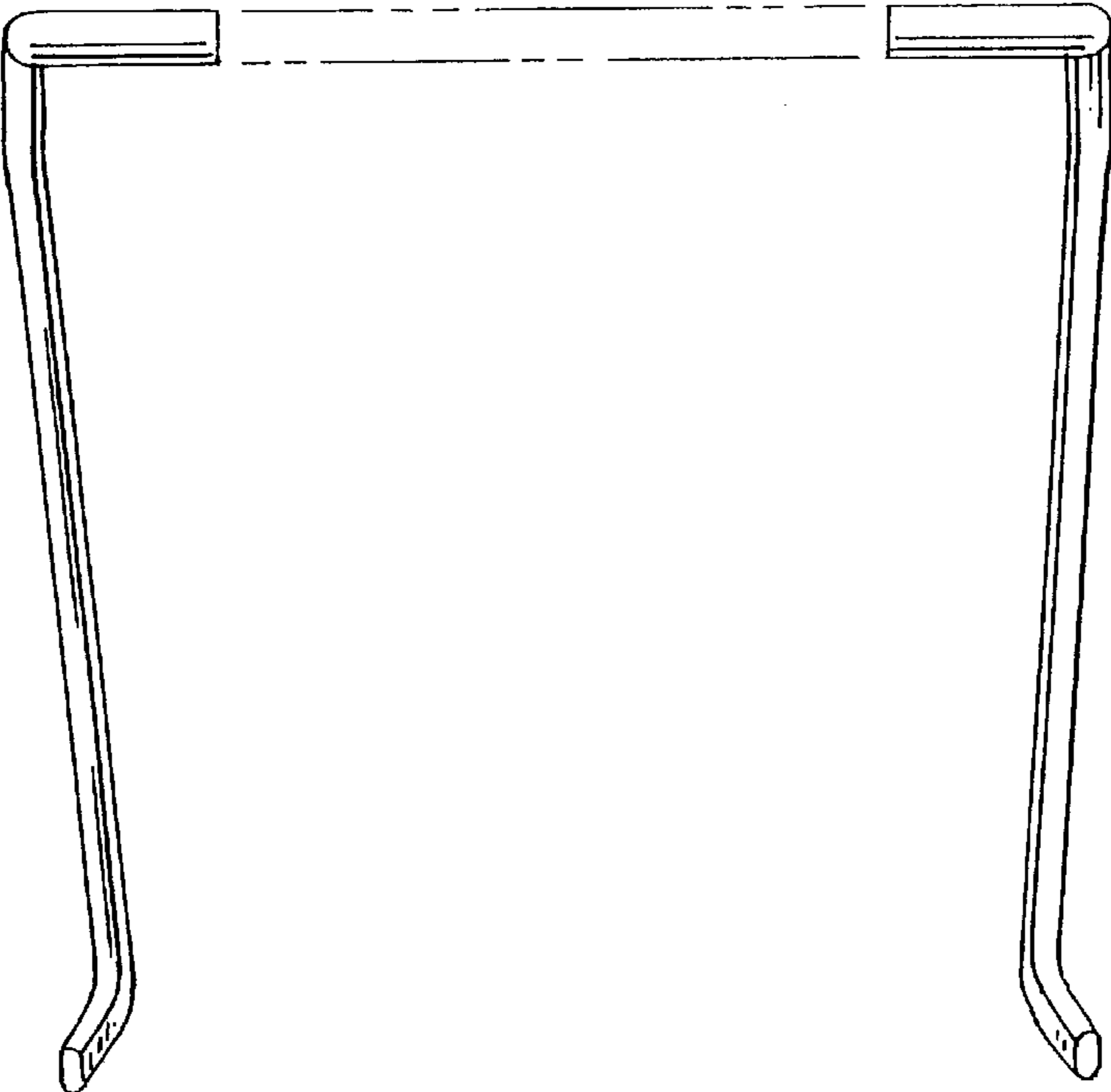


FIG. 4

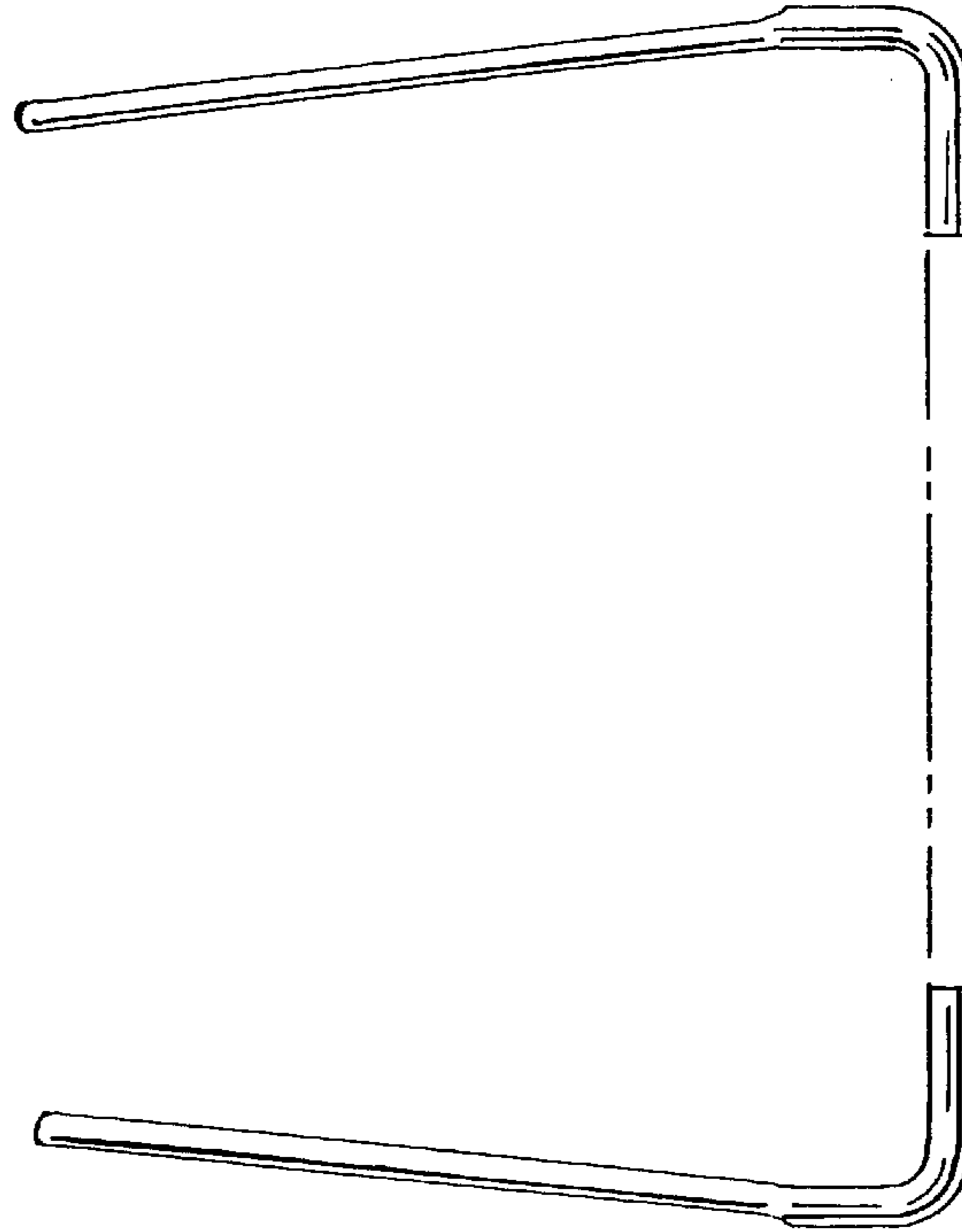


FIG. 5

