



US00D526105S

(12) **United States Design Patent**  
**Van Es**

(10) **Patent No.:** **US D526,105 S**  
(45) **Date of Patent:** **\*\* Aug. 1, 2006**

(54) **WREATH CART**

(76) **Inventor:** **Anton Van Es, C/O 4664 Ontario Street, Beamsville, Ontario (CA), L0R 1BR**

(\*\*) **Term:** **14 Years**

(21) **Appl. No.:** **29/239,216**

(22) **Filed:** **Sep. 28, 2005**

(51) **LOC (8) Cl.** ..... **12-02**

(52) **U.S. Cl.** ..... **D34/21**

(58) **Field of Classification Search** ..... D34/12-27;  
D6/464, 465, 463, 411; 211/13, 74, 60.1;  
248/302, 303; 280/47.19, 47.24, 79.11  
See application file for complete search history.

(56) **References Cited**

**U.S. PATENT DOCUMENTS**

D118,442 S \* 1/1940 Brown ..... D6/462  
D182,483 S \* 4/1958 Skinner ..... D34/21  
D197,199 S \* 12/1963 Kroll ..... D6/465

D260,466 S \* 9/1981 Butcher et al. .... D6/410  
D297,063 S \* 8/1988 Baldwin ..... D34/411  
D351,514 S \* 10/1994 Nodine ..... D6/411  
6,270,094 B1 \* 8/2001 Campbell ..... 280/47.19  
D450,200 S \* 11/2001 Lowe ..... D6/411  
D491,330 S \* 6/2004 Violo ..... D34/21  
D494,777 S \* 8/2004 Walk ..... D6/465

\* cited by examiner

*Primary Examiner*—Freda Nunn  
*Assistant Examiner*—Kevin K. Rudzinski

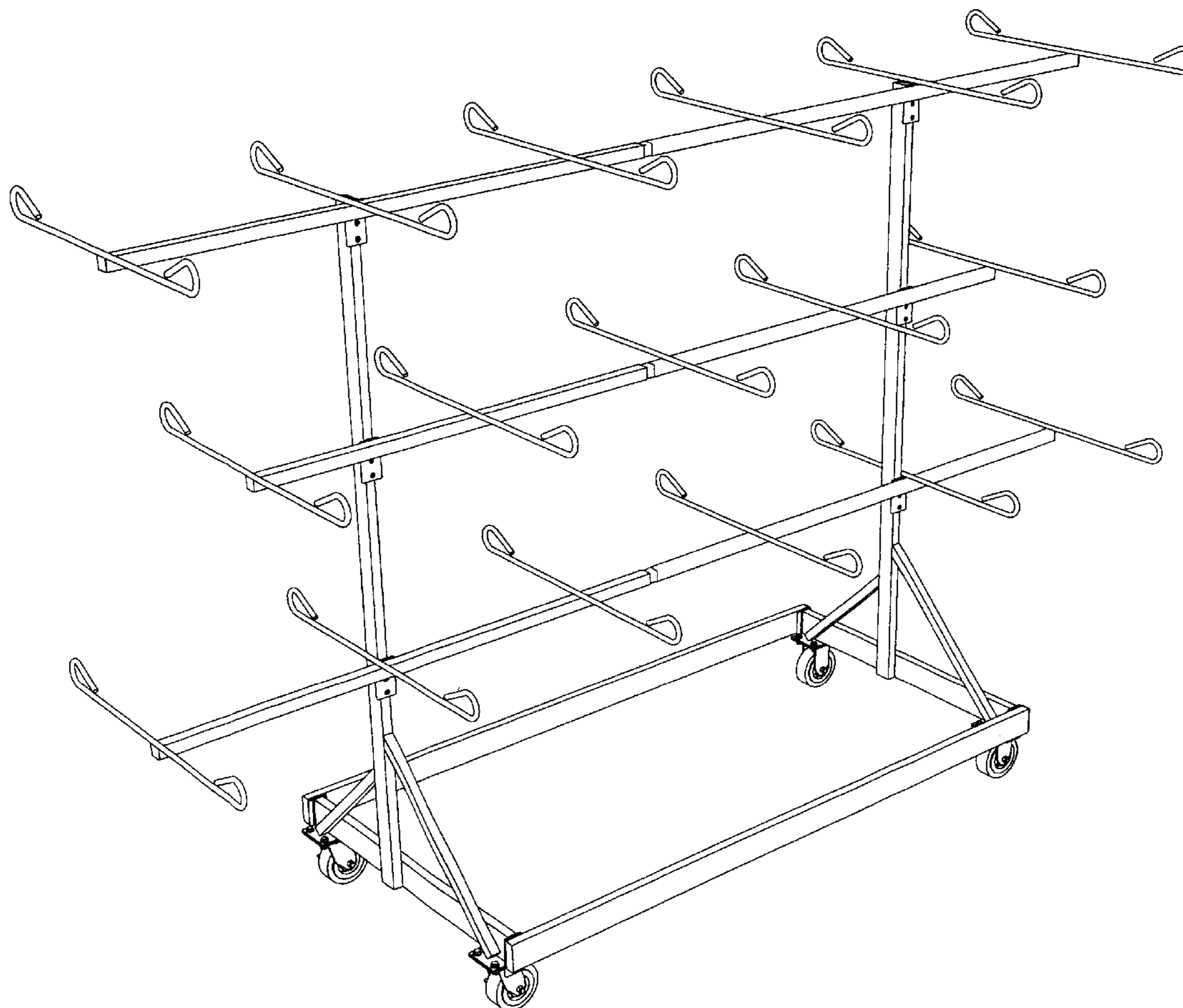
(57) **CLAIM**

The ornamental design for a wreath cart, as shown.

**DESCRIPTION**

FIG. 1 is a front perspective view of a wreath cart.  
FIG. 2 is a side elevational view thereof.  
FIG. 3 is a top plan view thereof.  
FIG. 4 is an end elevational view thereof; and,  
FIG. 5 is a bottom plan view thereof.

**1 Claim, 5 Drawing Sheets**



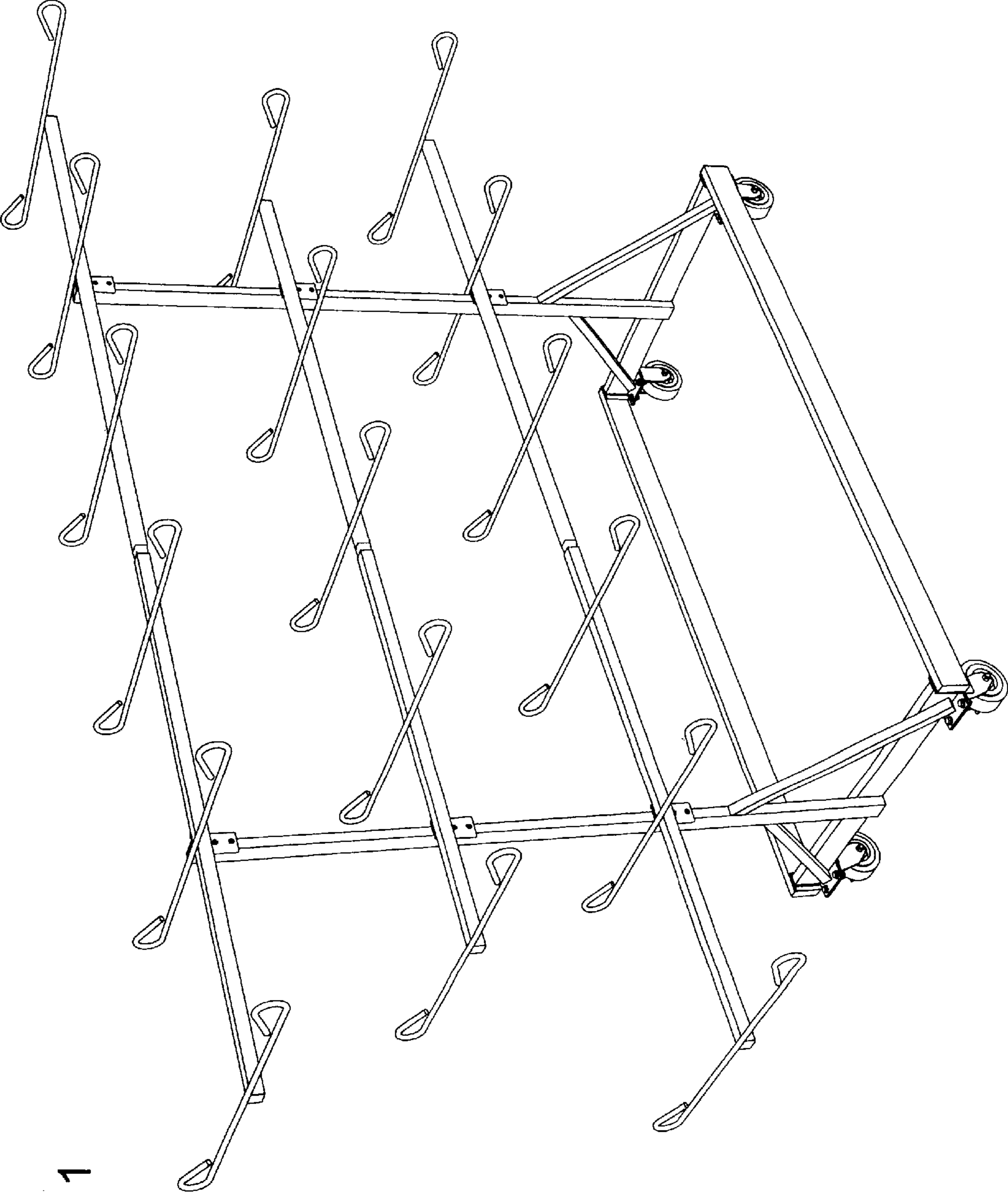


FIGURE 1

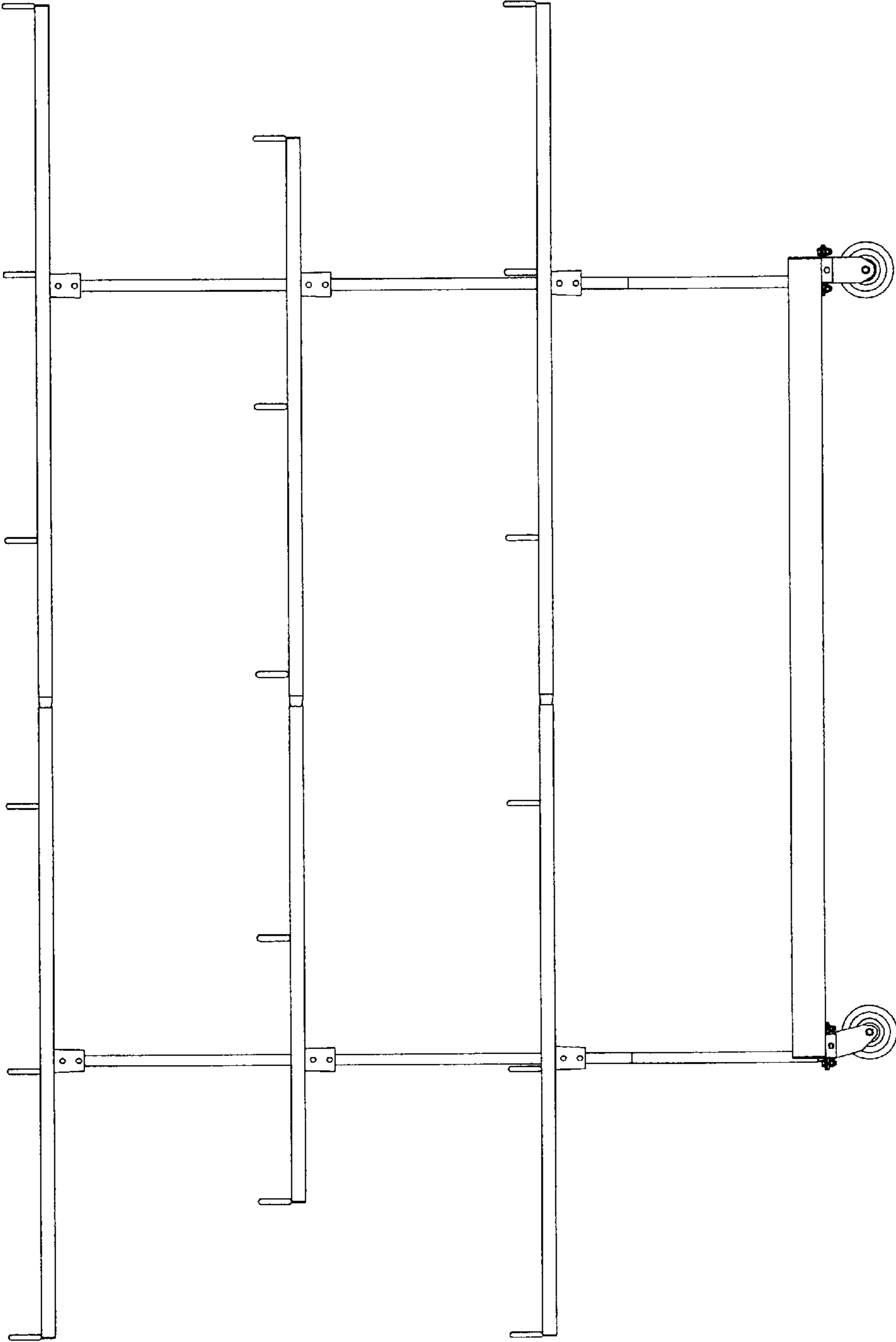


FIGURE 2

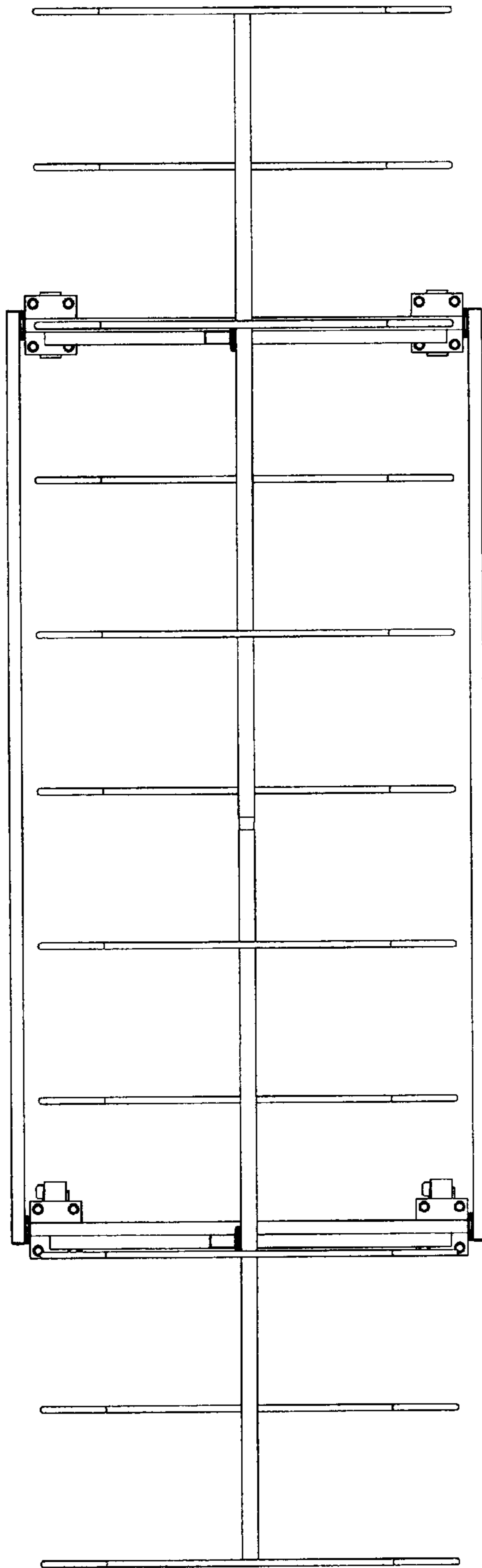


FIGURE 3

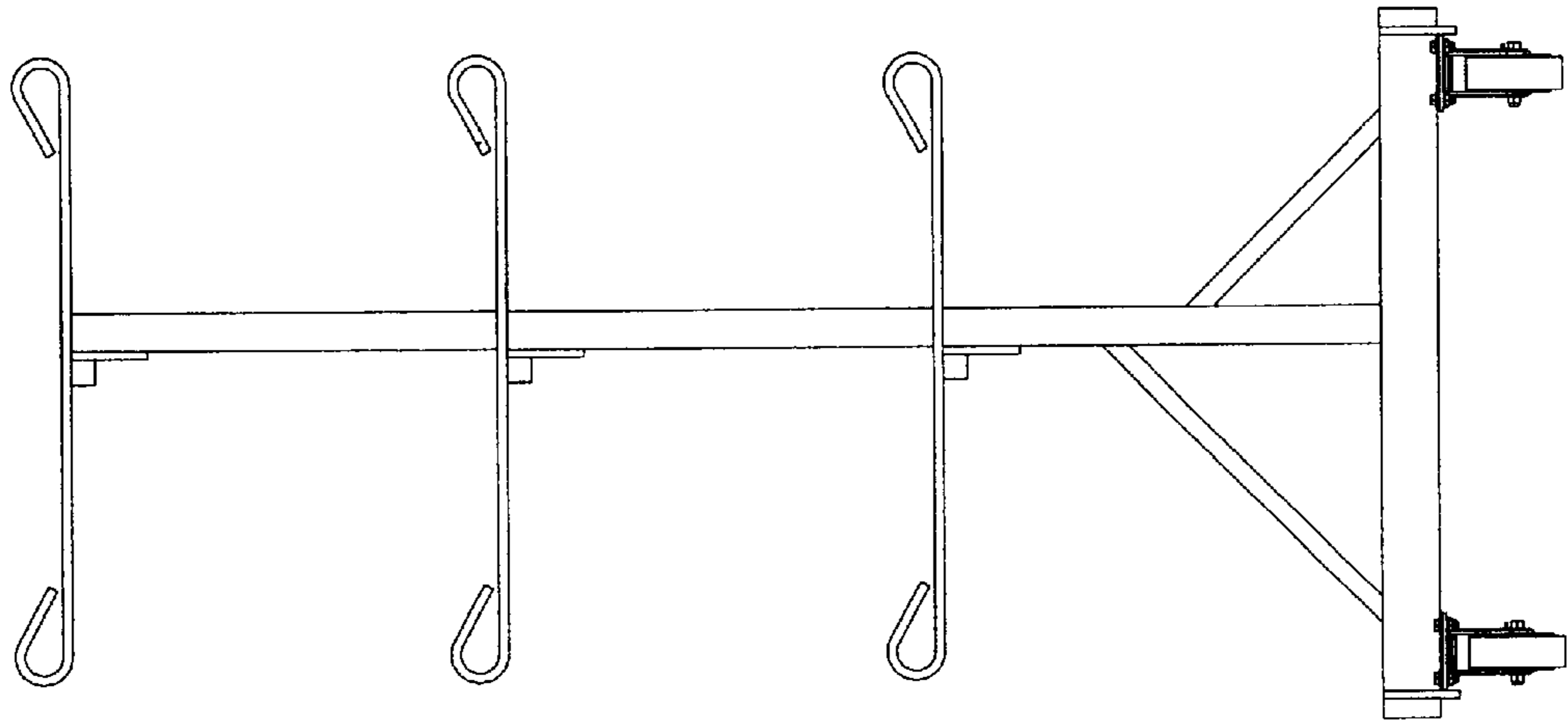


FIGURE 4

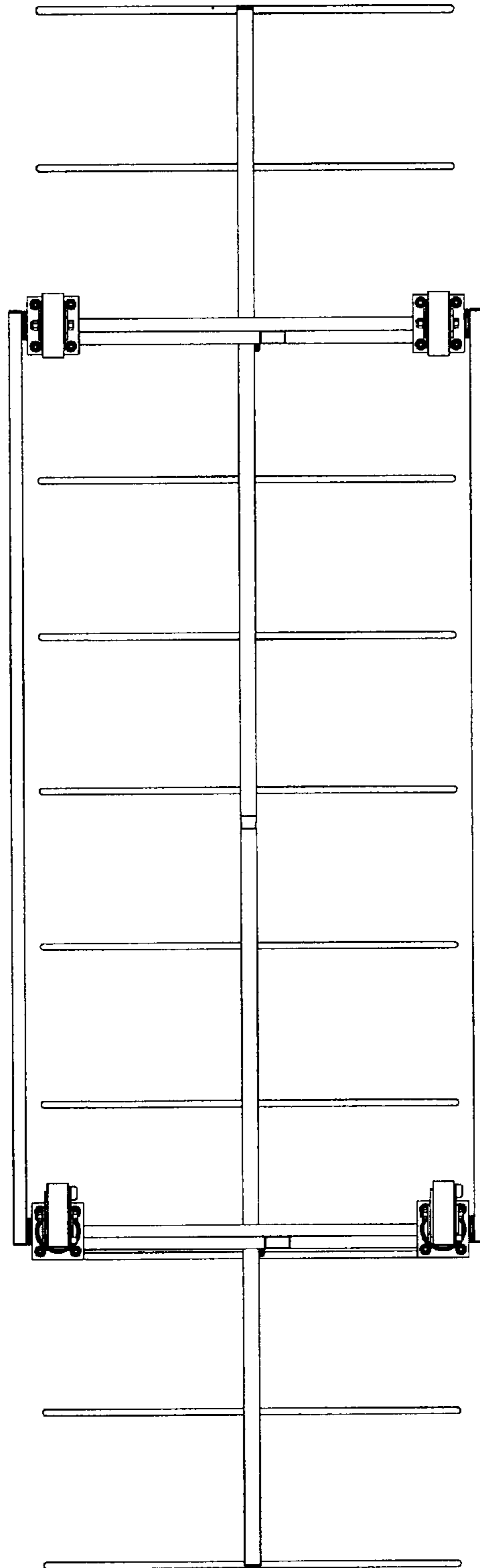


FIGURE 5