



US00D526104S

(12) **United States Design Patent**  
**Van Es**

(10) **Patent No.:** **US D526,104 S**  
(45) **Date of Patent:** **\*\* Aug. 1, 2006**

(54) **ROLLING DISPLAY CART**

(76) Inventor: **Anton Van Es**, c/o 4664 Ontario Street,  
Beamsville, Ontario (CA), L0R 1B4

(\*\*) Term: **14 Years**

(21) Appl. No.: **29/233,664**

(22) Filed: **Jul. 8, 2005**

(51) **LOC (8) Cl.** ..... **12-02**

(52) **U.S. Cl.** ..... **D34/21**

(58) **Field of Classification Search** ..... D34/12-27;  
D6/465, 476, 475; 211/187, 189, 186, 188;  
108/111

See application file for complete search history.

(56) **References Cited**

**U.S. PATENT DOCUMENTS**

D114,227 S	*	4/1939	May	.....	D6/474
D118,060 S	*	12/1939	Smith	.....	D34/24
D133,723 S	*	9/1942	May	.....	D6/473
4,976,360 A	*	12/1990	Zucker et al.	.....	211/186
D315,459 S	*	3/1991	Young et al.	.....	D6/465
D368,186 S	*	3/1996	Tiemann	.....	D6/465

D369,037 S \* 4/1996 Wyatt et al. .... D6/465

\* cited by examiner

*Primary Examiner*—Freda Nunn

*Assistant Examiner*—Kevin K. Rudzinski

(57) **CLAIM**

The ornamental design for a rolling display cart, as shown.

**DESCRIPTION**

FIG. 1 is a top front perspective view of the present design a rolling display cart.

FIG. 2 is a side elevational view of the present design a rolling display cart.

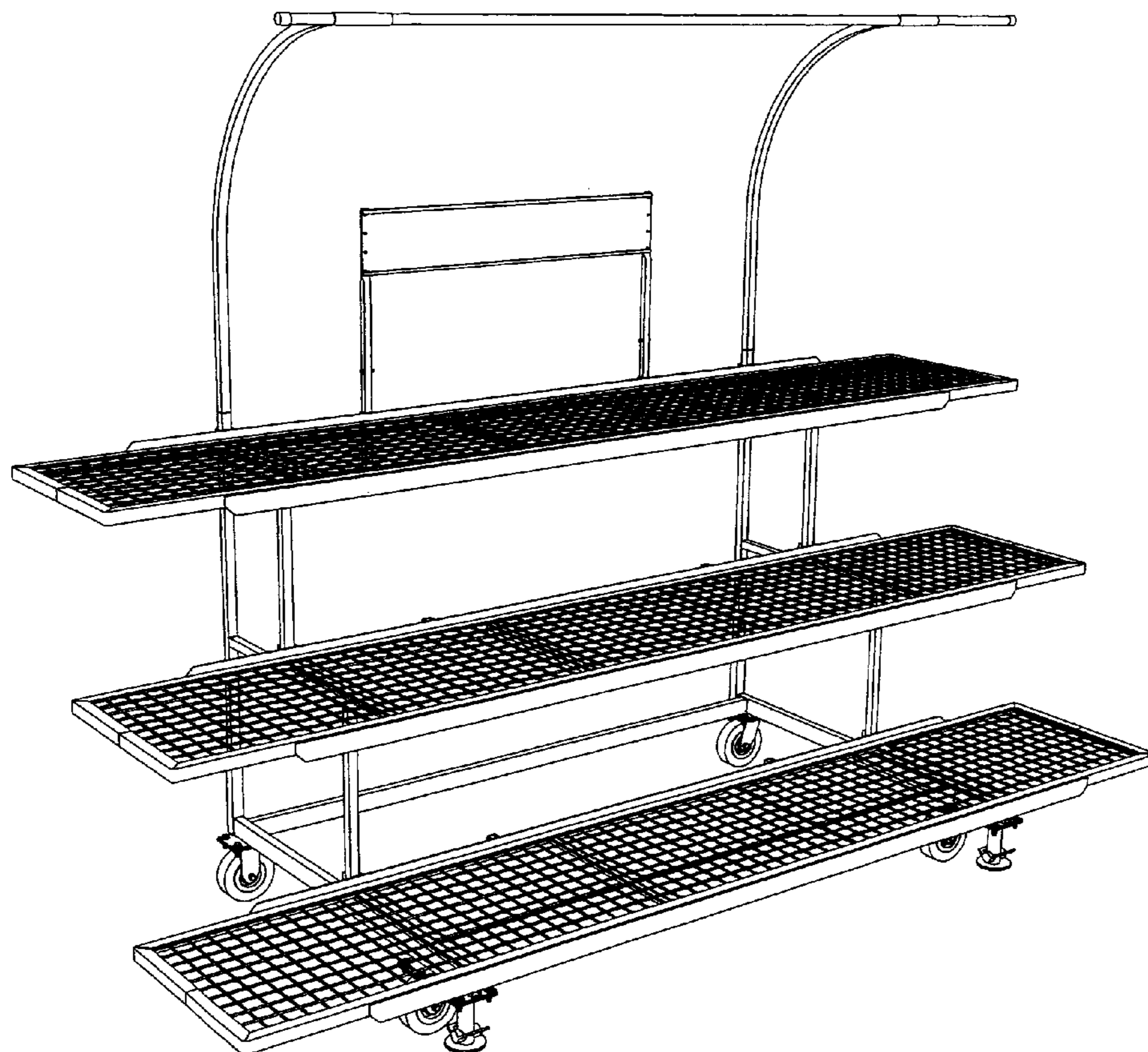
FIG. 3 is a rear elevational view of the present design a rolling display cart.

FIG. 4 is a front elevational view of the present design a rolling display cart.

FIG. 5 is a top plan view of the present design a rolling display cart; and,

FIG. 6 is a bottom plan view of the present design, a rolling display cart.

**1 Claim, 6 Drawing Sheets**



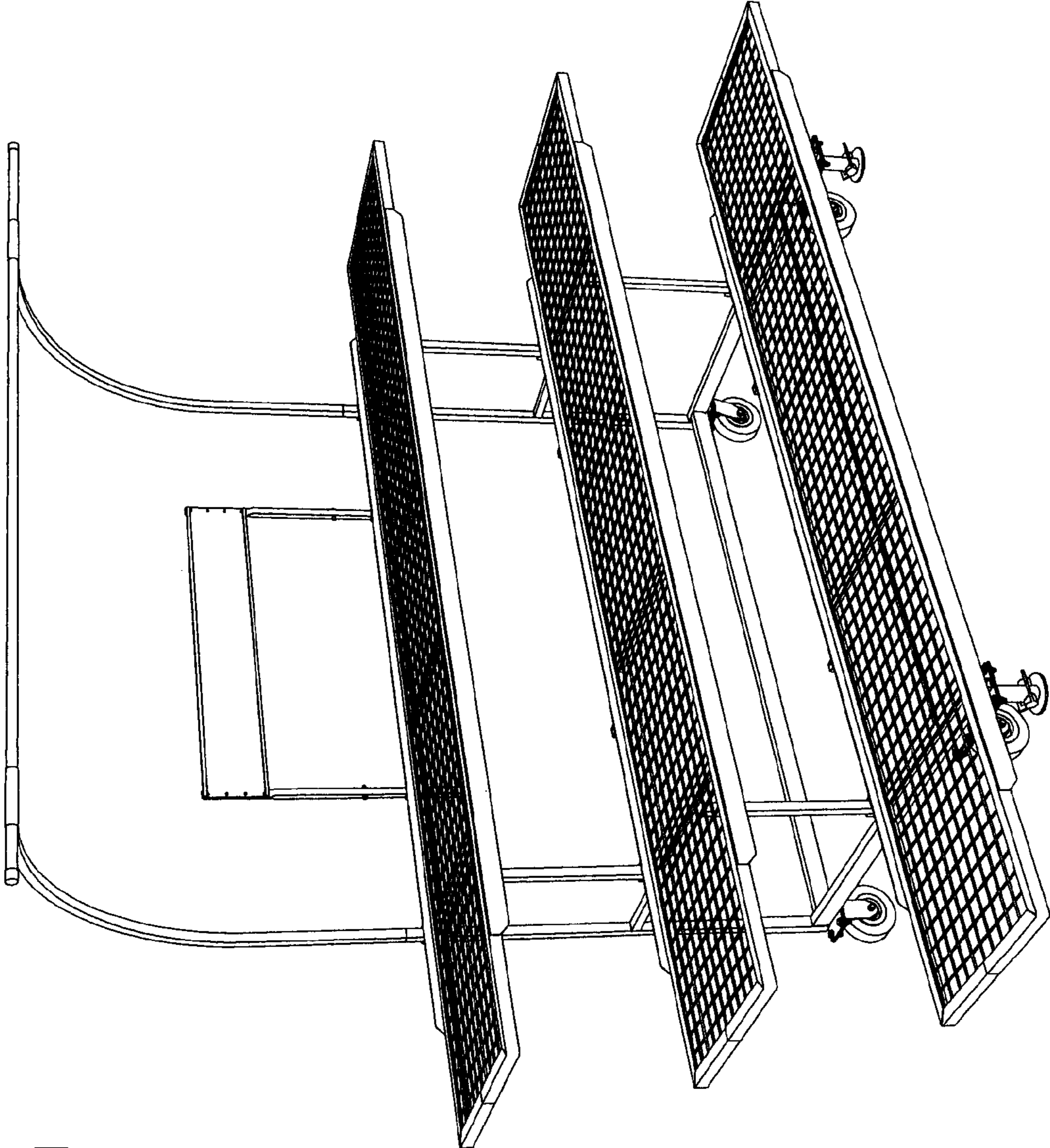


FIGURE 1

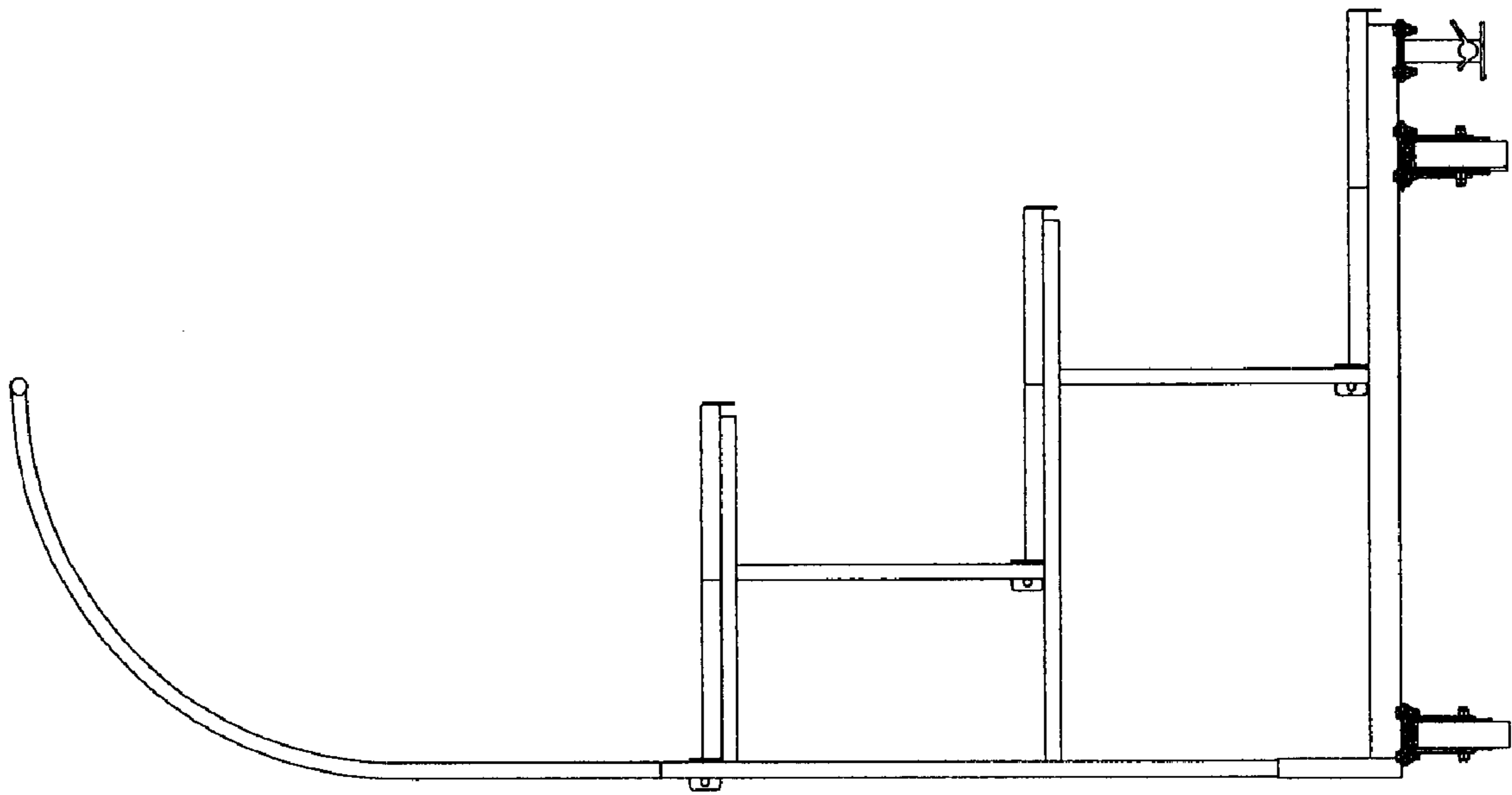


FIGURE 2

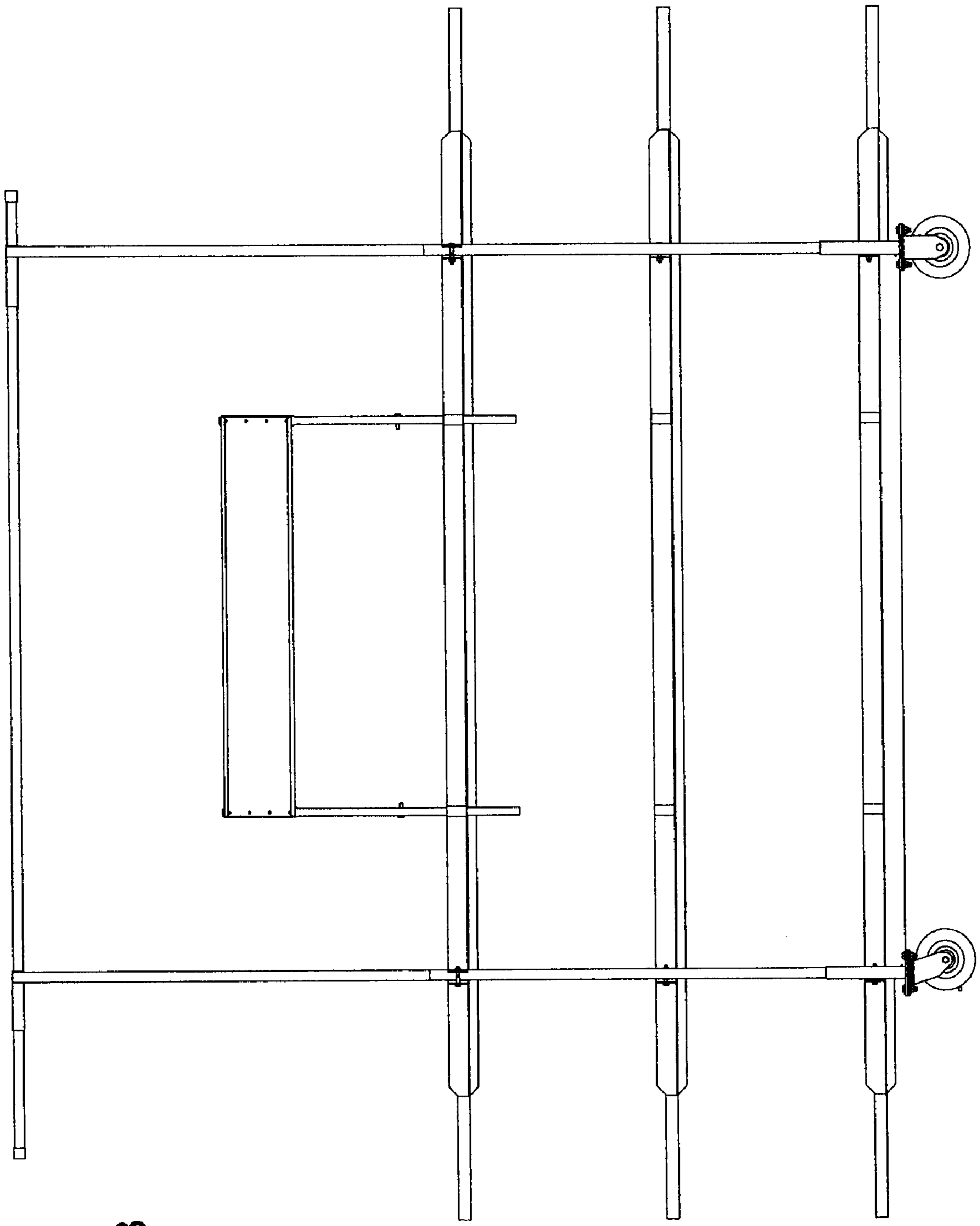


FIGURE 3

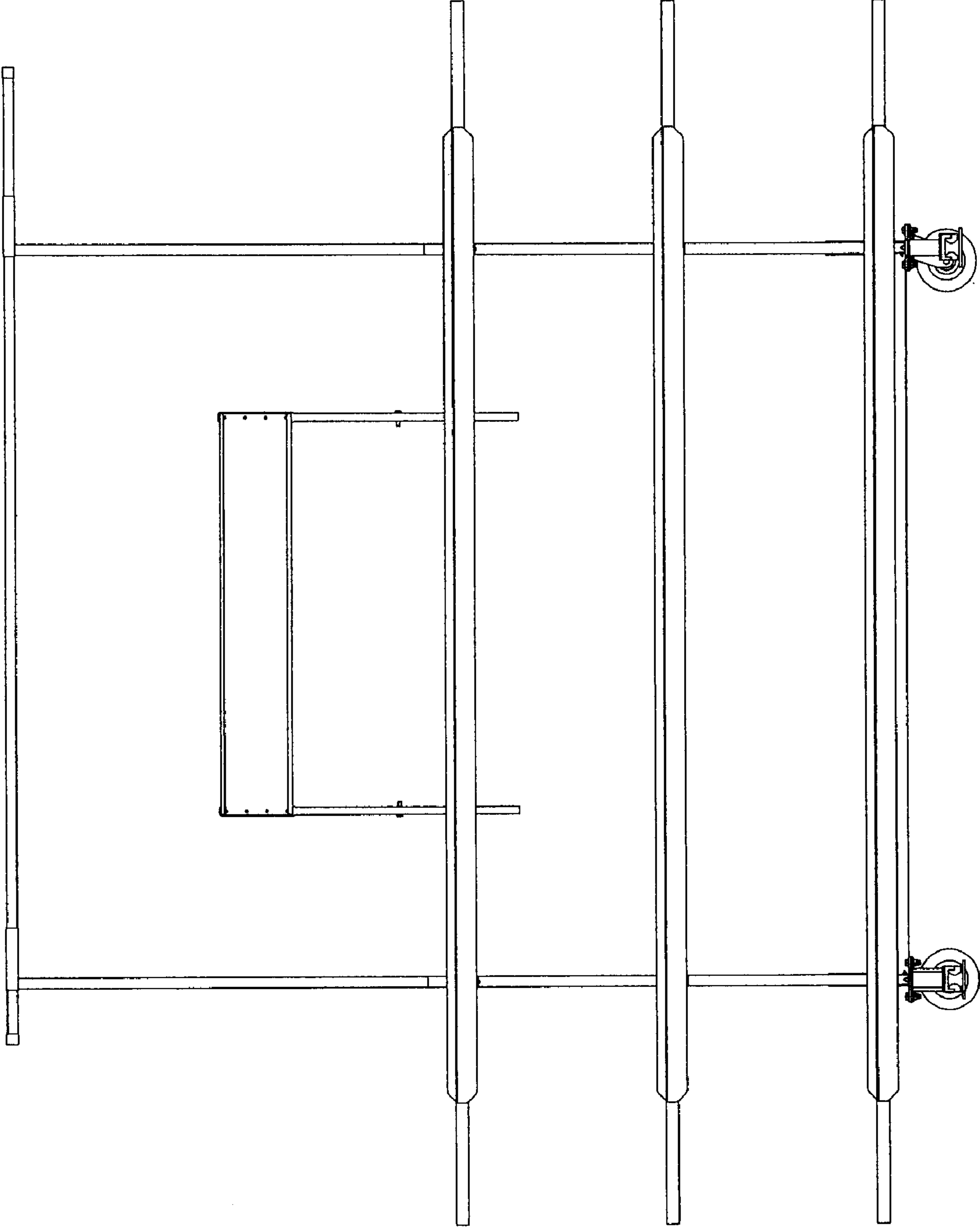
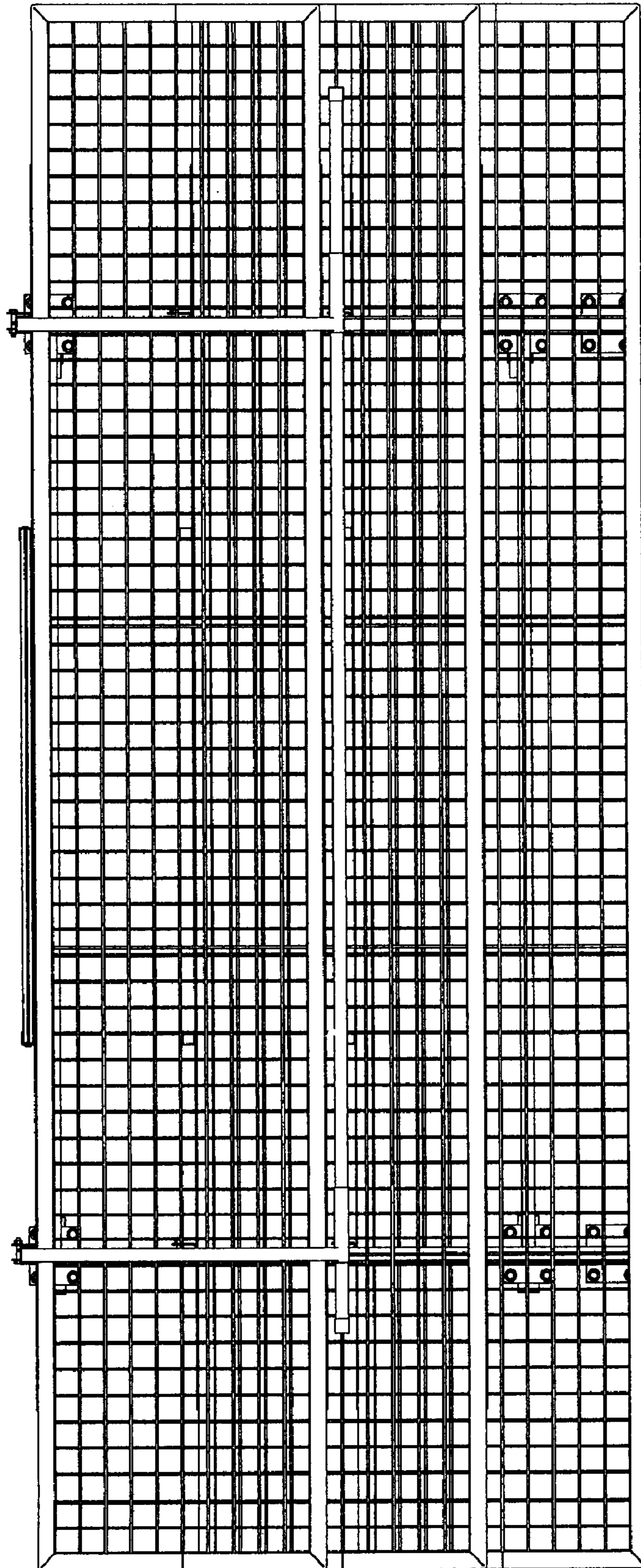


FIGURE 4

FIGURE 5



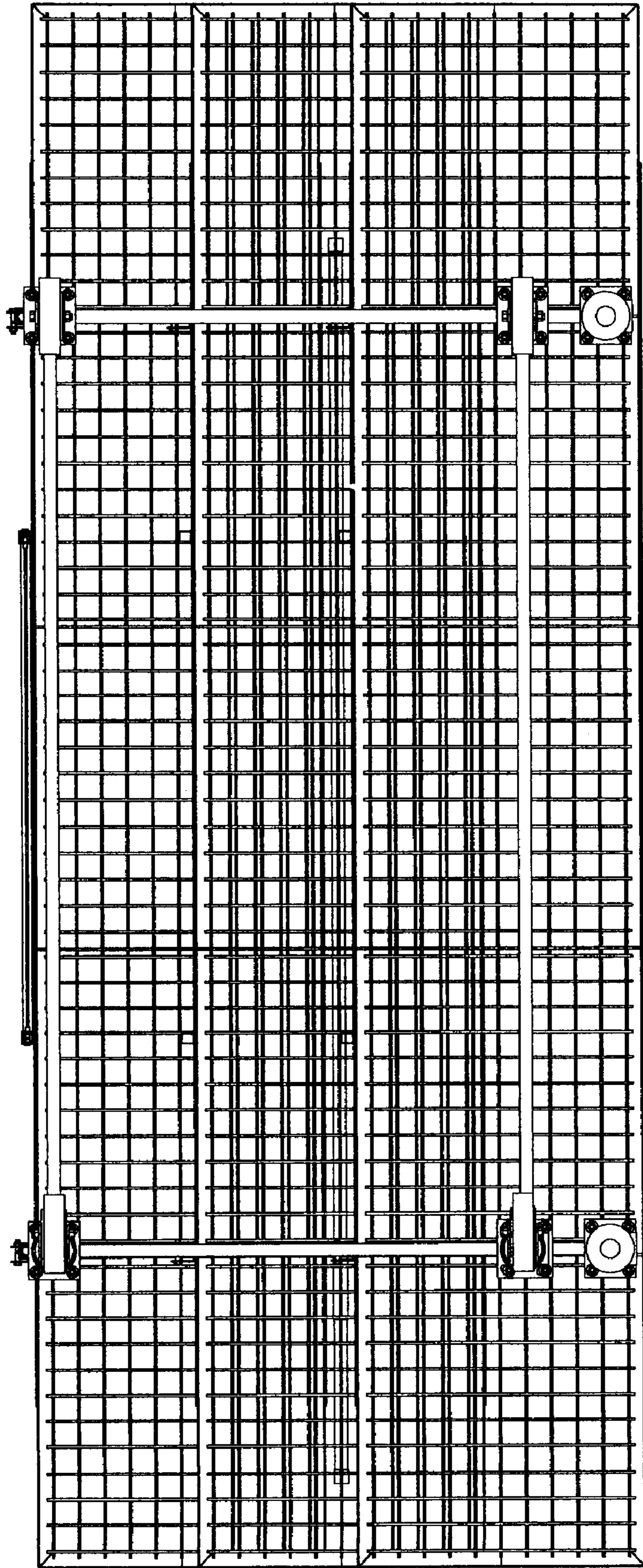


FIGURE 6