

US00D526101S

(12) **United States Design Patent**
Blanc-Tailleur

(10) **Patent No.:** **US D526,101 S**
(45) **Date of Patent:** **** Aug. 1, 2006**

(54) **SWIMMING POOL CLEANER ROBOT**

(75) Inventor: **Philippe Blanc-Tailleur**, Toulouse (FR)

(73) Assignee: **Zodiac Pool Care Europe SAS** (FR)

(**) Term: **14 Years**

(21) Appl. No.: **29/213,226**

(22) Filed: **Sep. 15, 2004**

(30) **Foreign Application Priority Data**

Aug. 10, 2004 (WO) DM/065 762

(51) **LOC (8) Cl.** **15-05**

(52) **U.S. Cl.** **D32/16**

(58) **Field of Classification Search** D32/21,
D32/22, 31, 1, 28, 15, 16, 35, 19, 17, 20,
D32/25, 33, 34; D23/213, 209, 210; D8/61,
D8/62; 15/1.7; 210/169, 416.2, 460, 470,
210/499, 497.01; 55/370, 373, 374, 376,
55/377

See application file for complete search history.

(56) **References Cited**

U.S. PATENT DOCUMENTS

D408,104 S * 4/1999 Adam D32/1
D418,640 S * 1/2000 Veloskey et al. D32/1
D433,545 S * 11/2000 Hollinger et al. D32/1
D444,280 S * 6/2001 Rief et al. D34/15
D445,225 S * 7/2001 Schaub D32/15
D469,589 S * 1/2003 Wichmann et al. D32/15
6,954,960 B1 * 10/2005 Pichon 15/1.7
2002/0104790 A1 * 8/2002 Lincke 210/169
2004/0025268 A1 * 2/2004 Porat et al. 15/1.7

FOREIGN PATENT DOCUMENTS

FR 273.521 4/1989
FR 89 2299 4/1989

FR 284.922 3/1990
FR 90.1465 3/1990
FR 288.349 5/1990
FR 90.3474 5/1990
FR 462 063 4/1997
FR 462 064 4/1997
FR 462 065 4/1997
FR 96 3389 4/1997
WO DM/039 680 12/1996

* cited by examiner

Primary Examiner—Louis S. Zarfaz

Assistant Examiner—Kathleen Sims

(74) *Attorney, Agent, or Firm*—Dean W. Russell; Kilpatrick
Stockton LLP

(57) **CLAIM**

The ornamental design for a swimming pool cleaner robot,
as shown and described.

DESCRIPTION

FIG. 1 is a front view of the new design for a swimming pool
cleaner robot;

FIG. 2 is a back view of the new design for a swimming pool
cleaner robot;

FIG. 3 is a right side view of the new design for a swimming
pool cleaner robot;

FIG. 4 is a left side view of the new design for a swimming
pool cleaner robot;

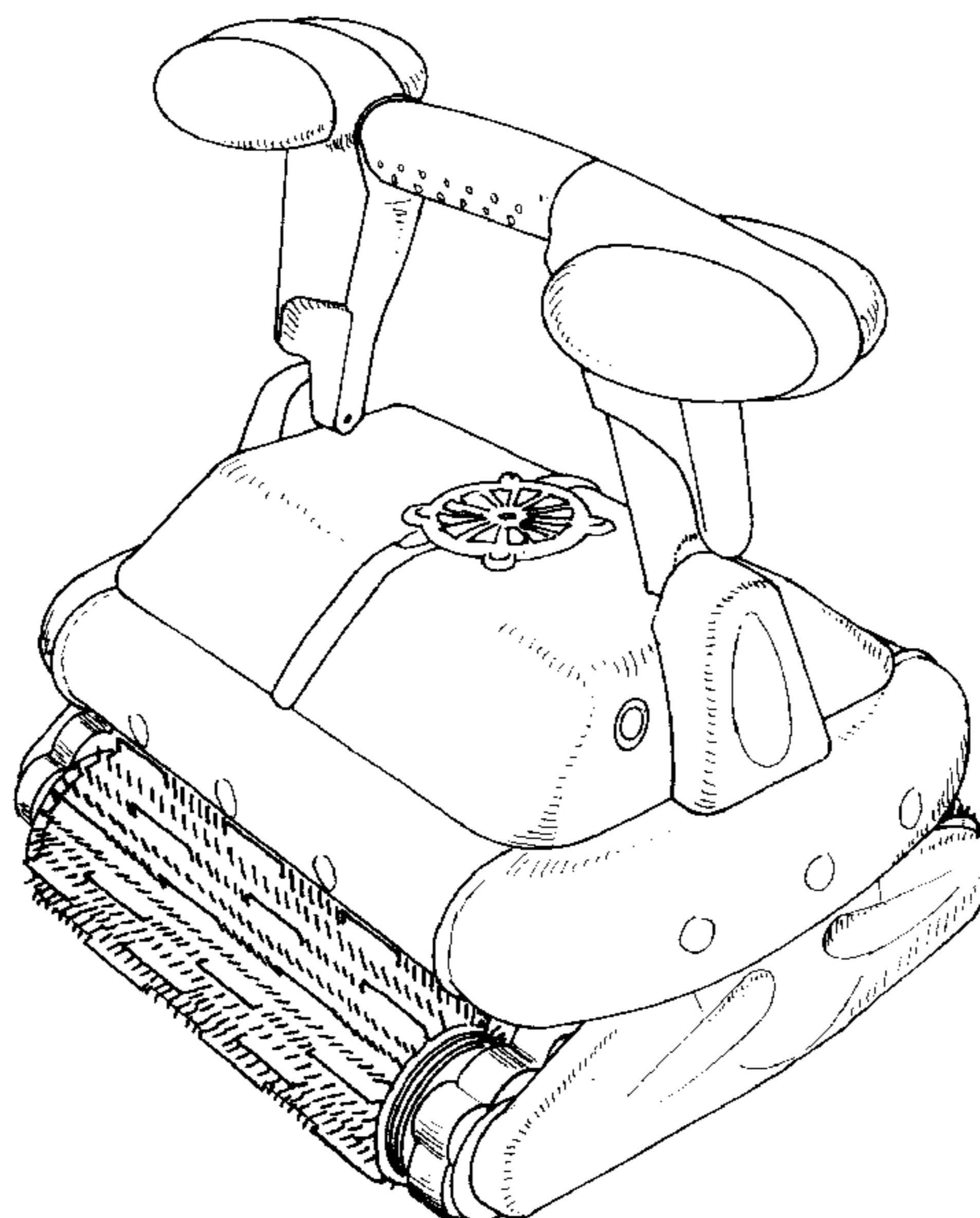
FIG. 5 is a bottom view of the new design for a swimming
pool cleaner robot.

FIG. 6 is a top view of the new design for a swimming pool
cleaner robot;

FIG. 7 is a perspective view of the new design for a
swimming pool cleaner robot; and,

FIG. 8 is an additional perspective view of the new design
for a swimming pool cleaner robot showing the handle in a
folded position.

1 Claim, 8 Drawing Sheets



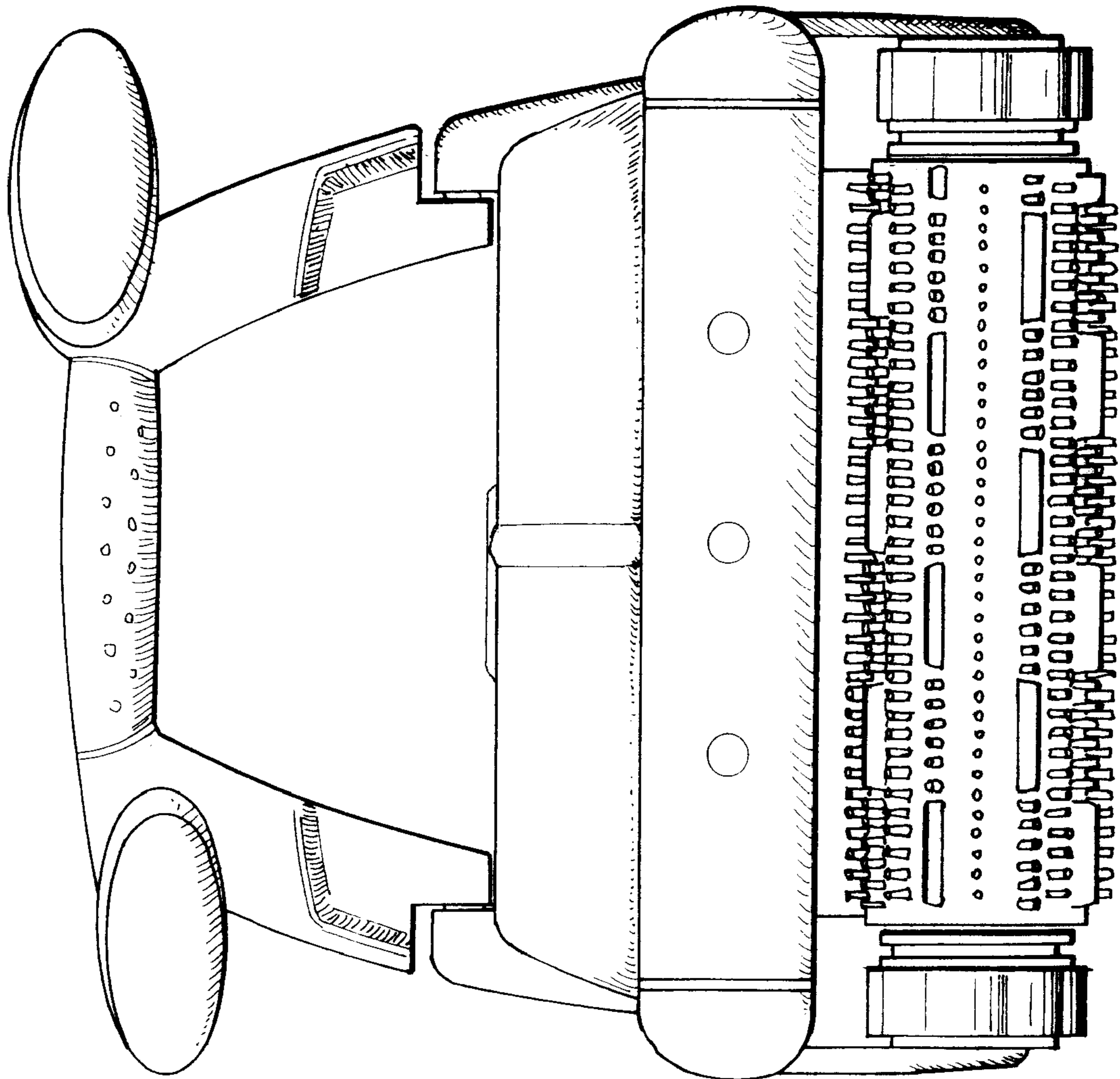


FIG. 1

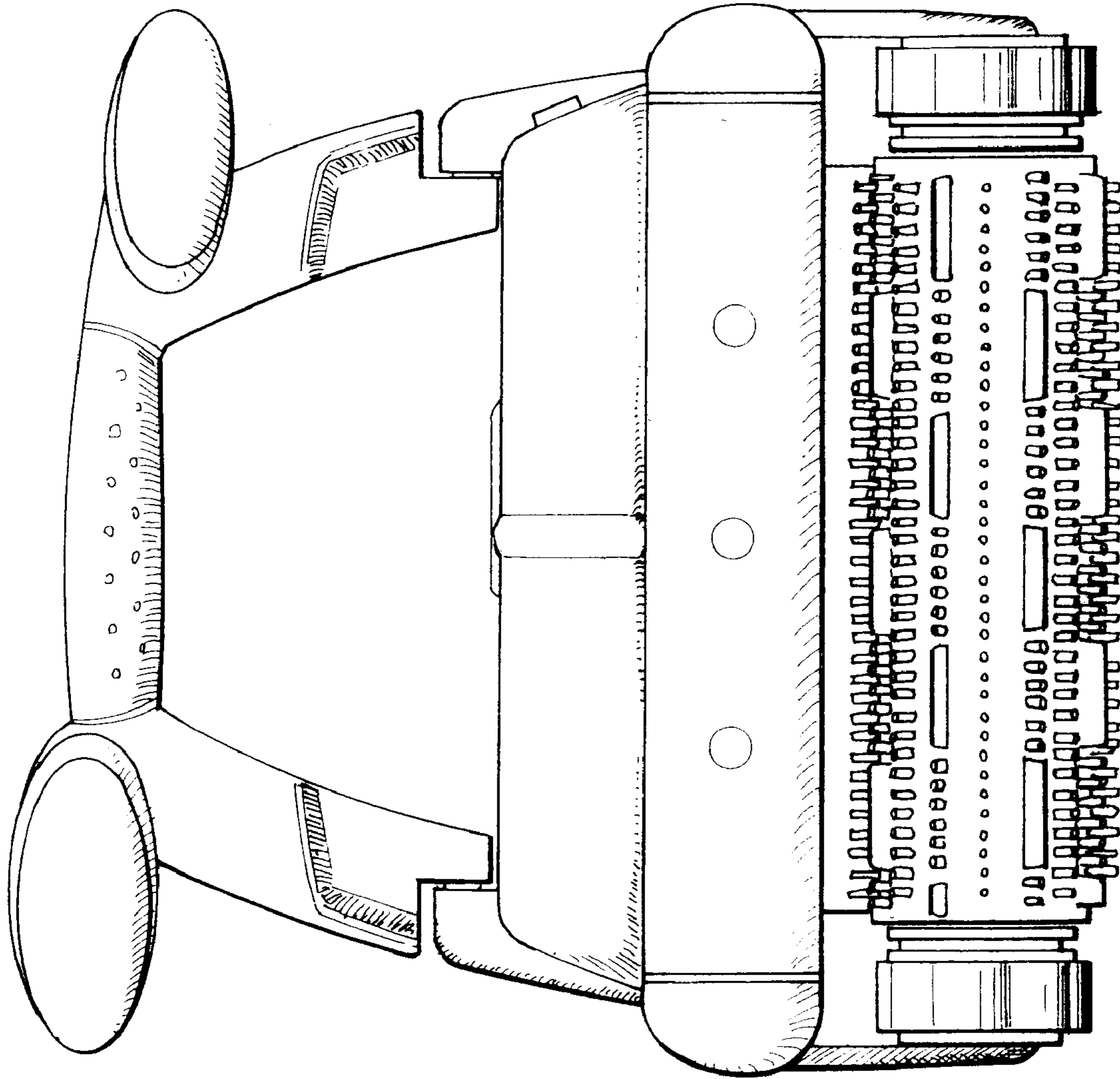


FIG. 2

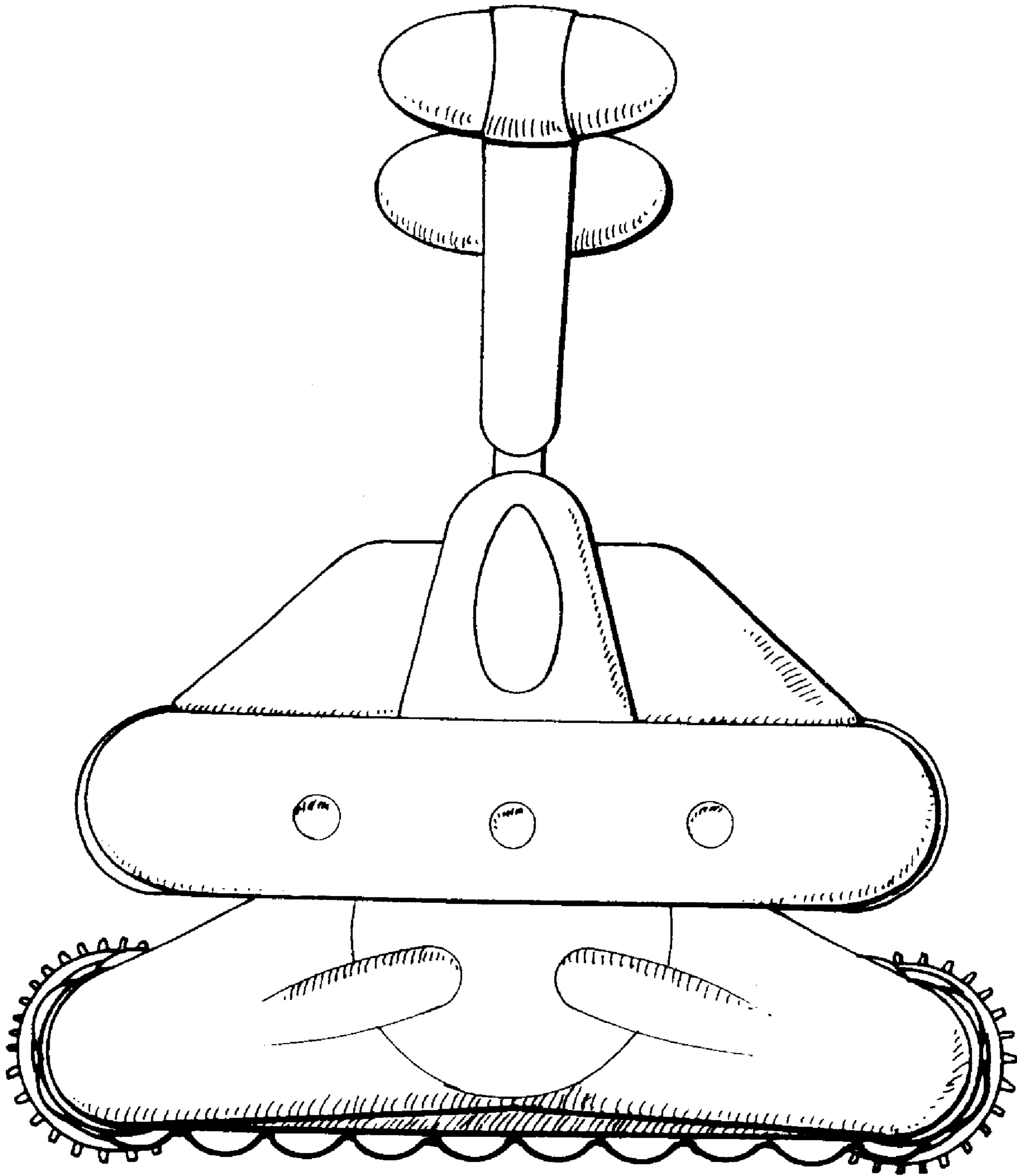


FIG. 3

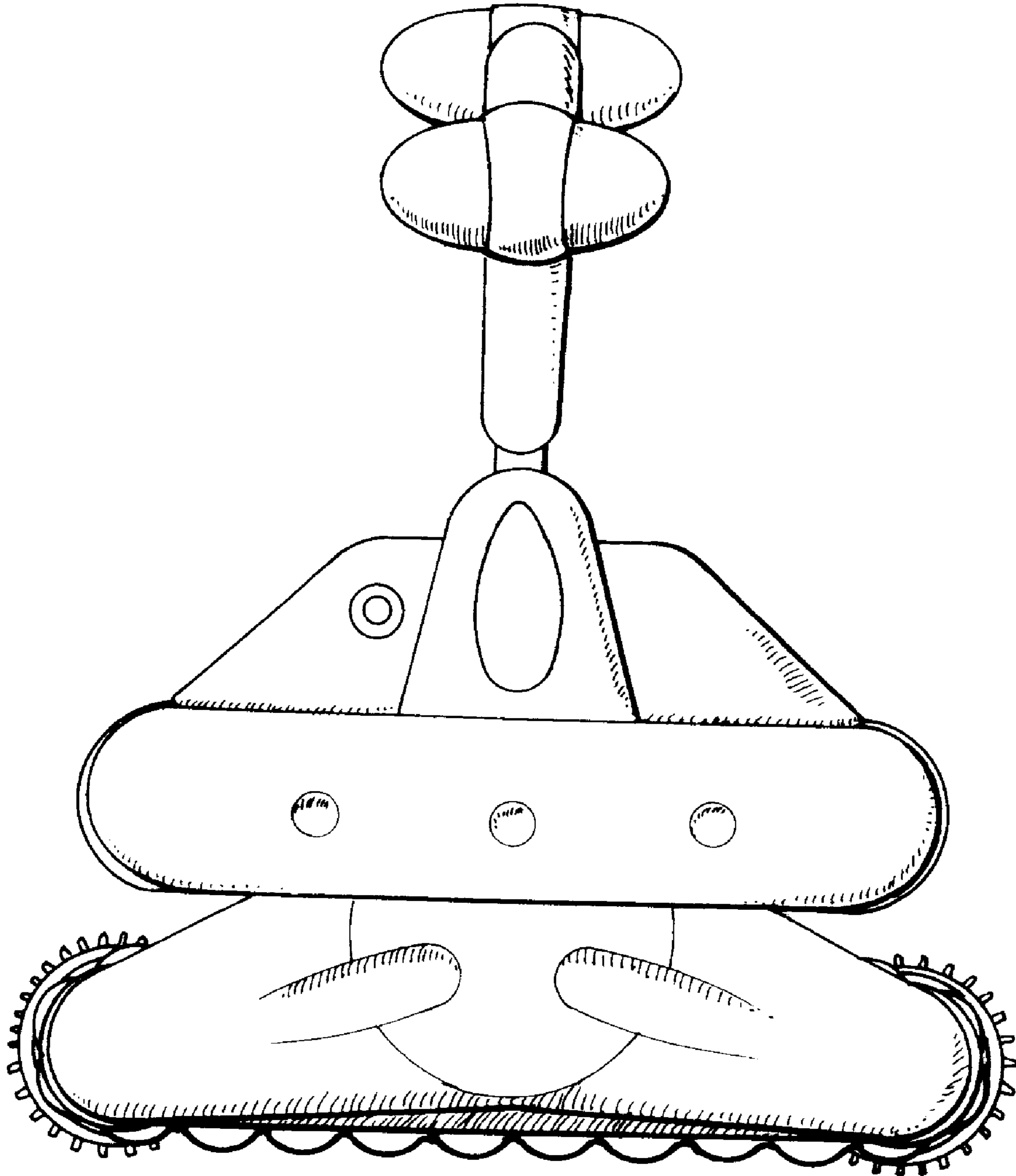


FIG. 4

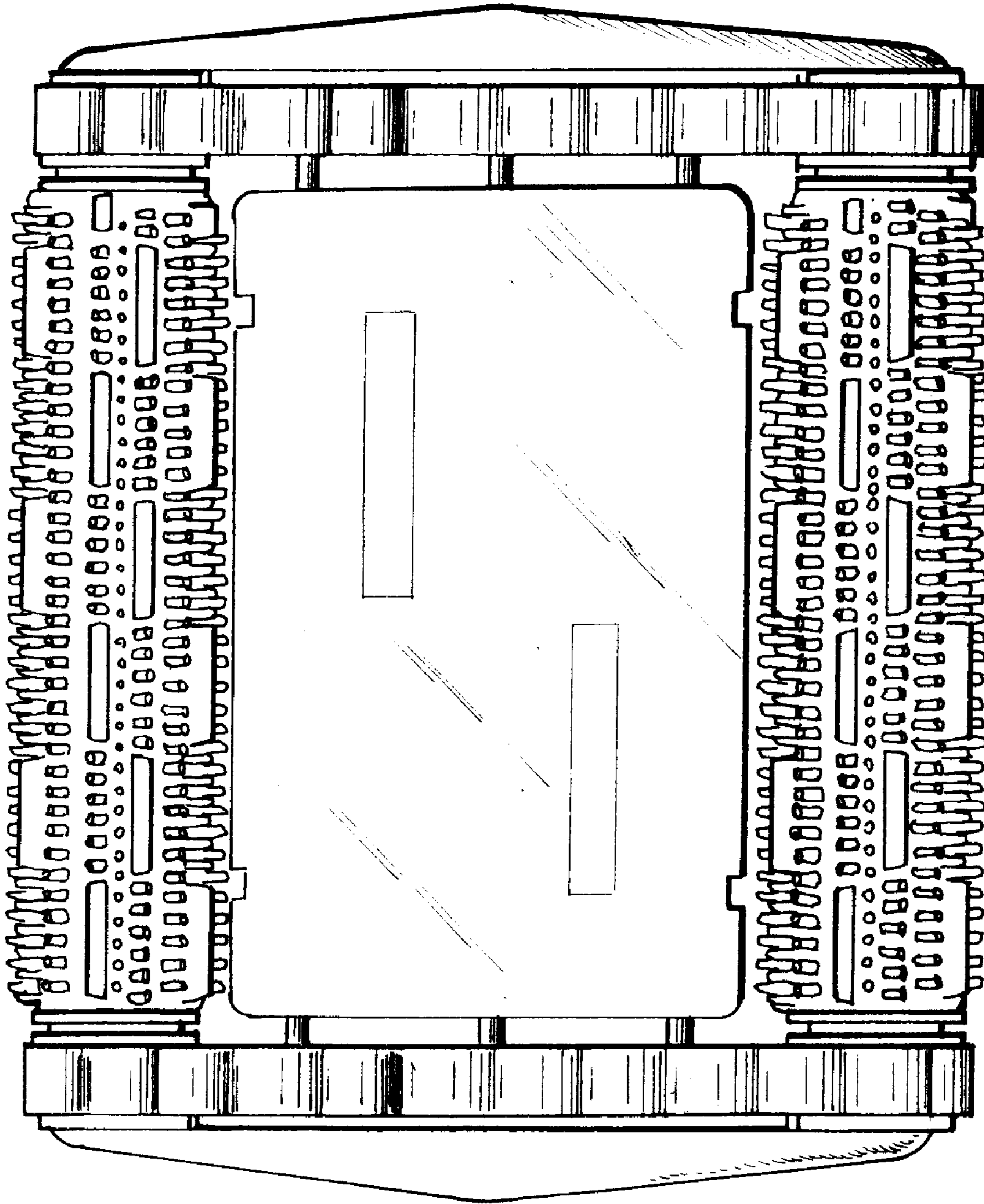


FIG. 5

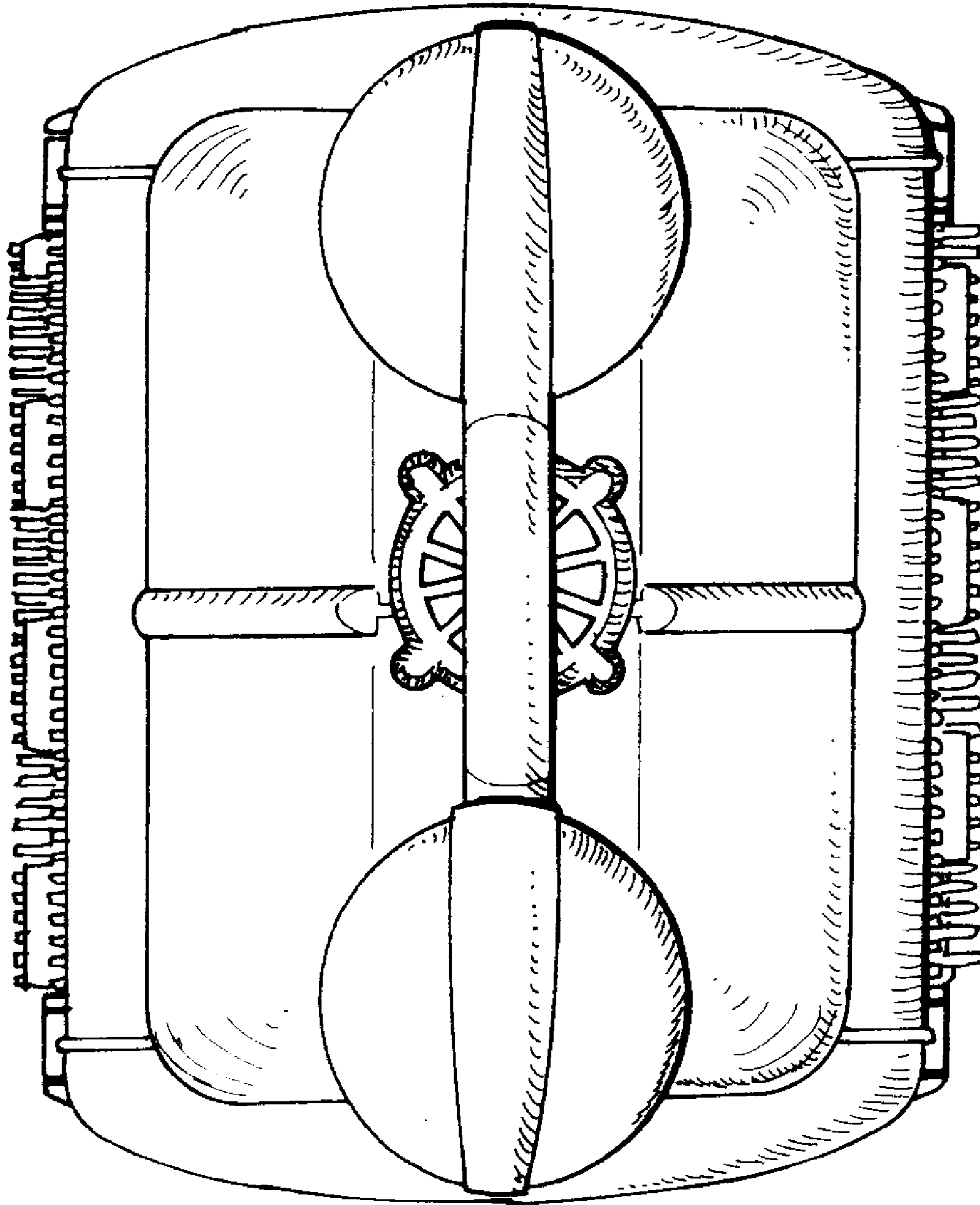


FIG. 6

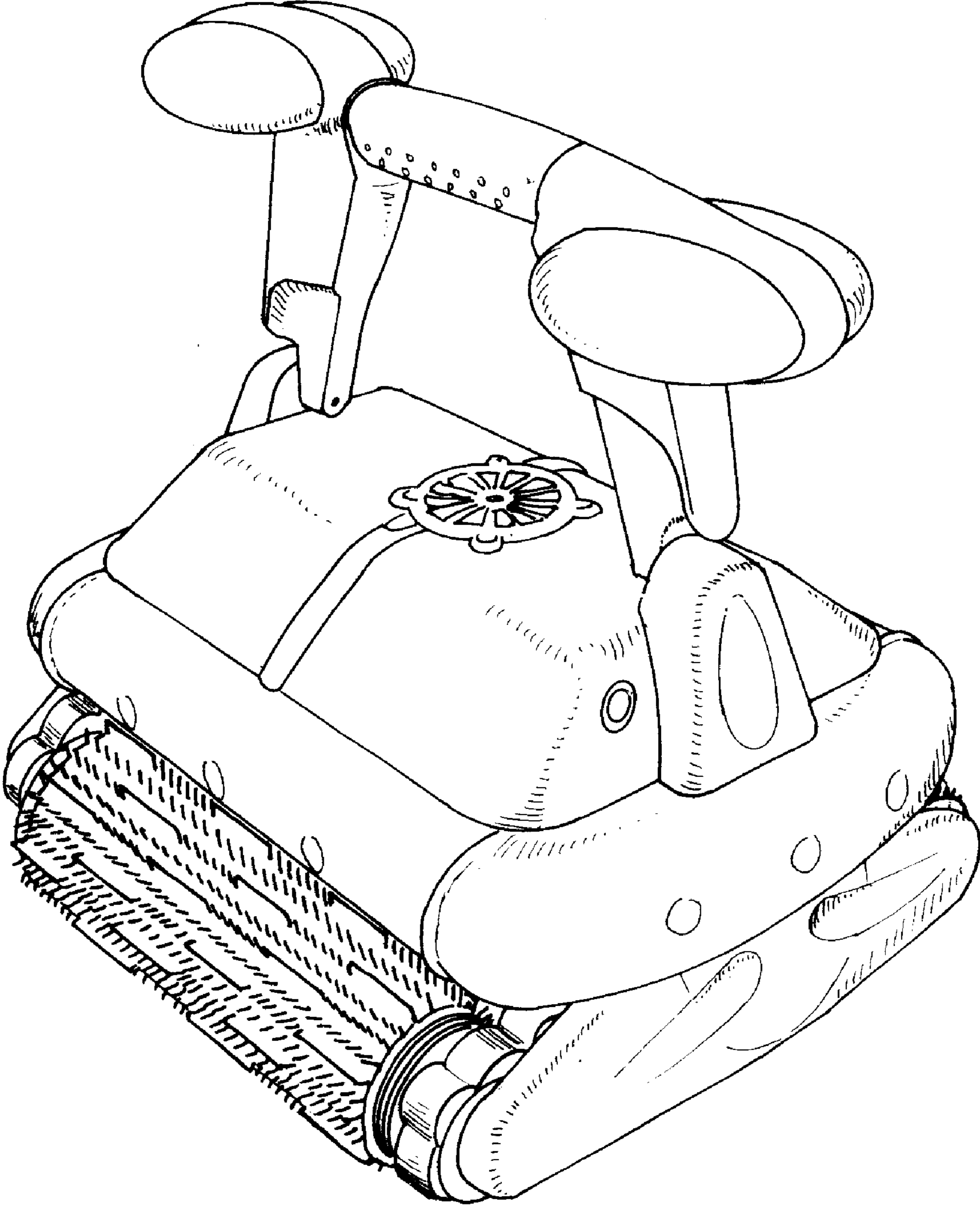


FIG. 7

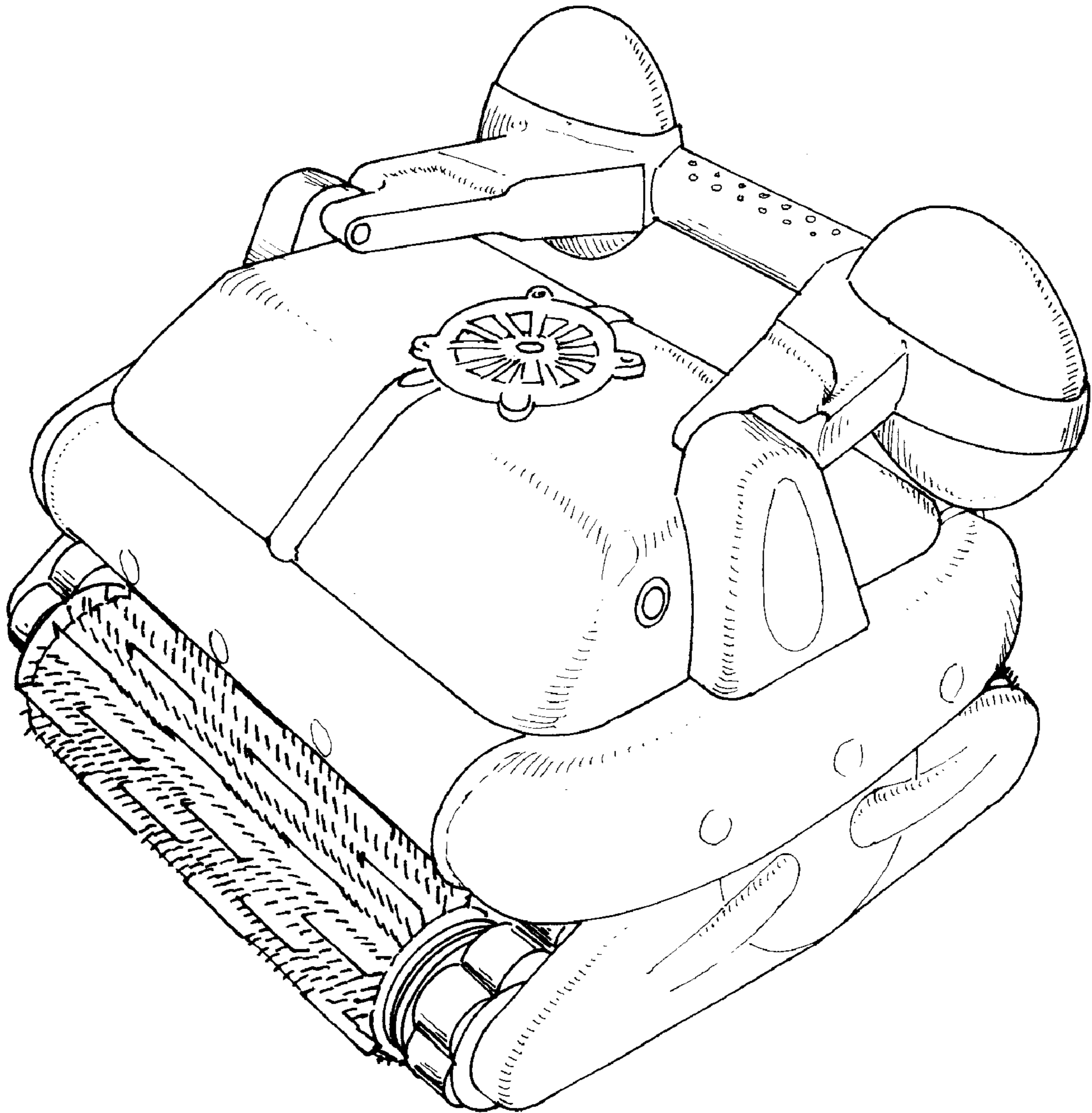


FIG. 8