

US00D526100S

(12) **United States Design Patent** (10) **Patent No.:** **US D526,100 S**
Van Wambeke (45) **Date of Patent:** **** Aug. 1, 2006**

(54) **HAND-HELD SCRUBBER**

D368,343 S * 3/1996 Gebhard et al. D32/35
D378,338 S 3/1997 Acciville et al.

(75) Inventor: **Weston Van Wambeke**, Towson, MD
(US)

(Continued)

(73) Assignee: **Black & Decker Inc.**, Newark, DE
(US)

FOREIGN PATENT DOCUMENTS

(**) Term: **14 Years**

DE	DT 1921071	11/1970
DE	3615918	11/1987
DE	102 12 355	6/2003
DE	200 15 053 U1	11/2003
EP	0 990 402 A2	8/1999
WO	WO 03/096860	11/2003

(21) Appl. No.: **29/229,473**

(22) Filed: **May 5, 2005**

OTHER PUBLICATIONS

(51) **LOC (8) Cl.** **15-05**

Ronic S.A., DM/009 154, Apr. 17, 1987 (International Designs Bulletin—Aug. 1987).

(52) **U.S. Cl.** **D32/15**

(58) **Field of Classification Search** D32/1,
D32/15, 17, 19, 18, 21, 22; 15/23, 28, 344,
15/21.1, 22.1, 22.2, 97.1; D4/102, 110, 127
See application file for complete search history.

Primary Examiner—Louis S. Zarfes

Assistant Examiner—Kathleen Sims

(74) *Attorney, Agent, or Firm*—Harness, Dickey & Pierce, P.L.C.

(56) **References Cited**

(57) **CLAIM**

U.S. PATENT DOCUMENTS

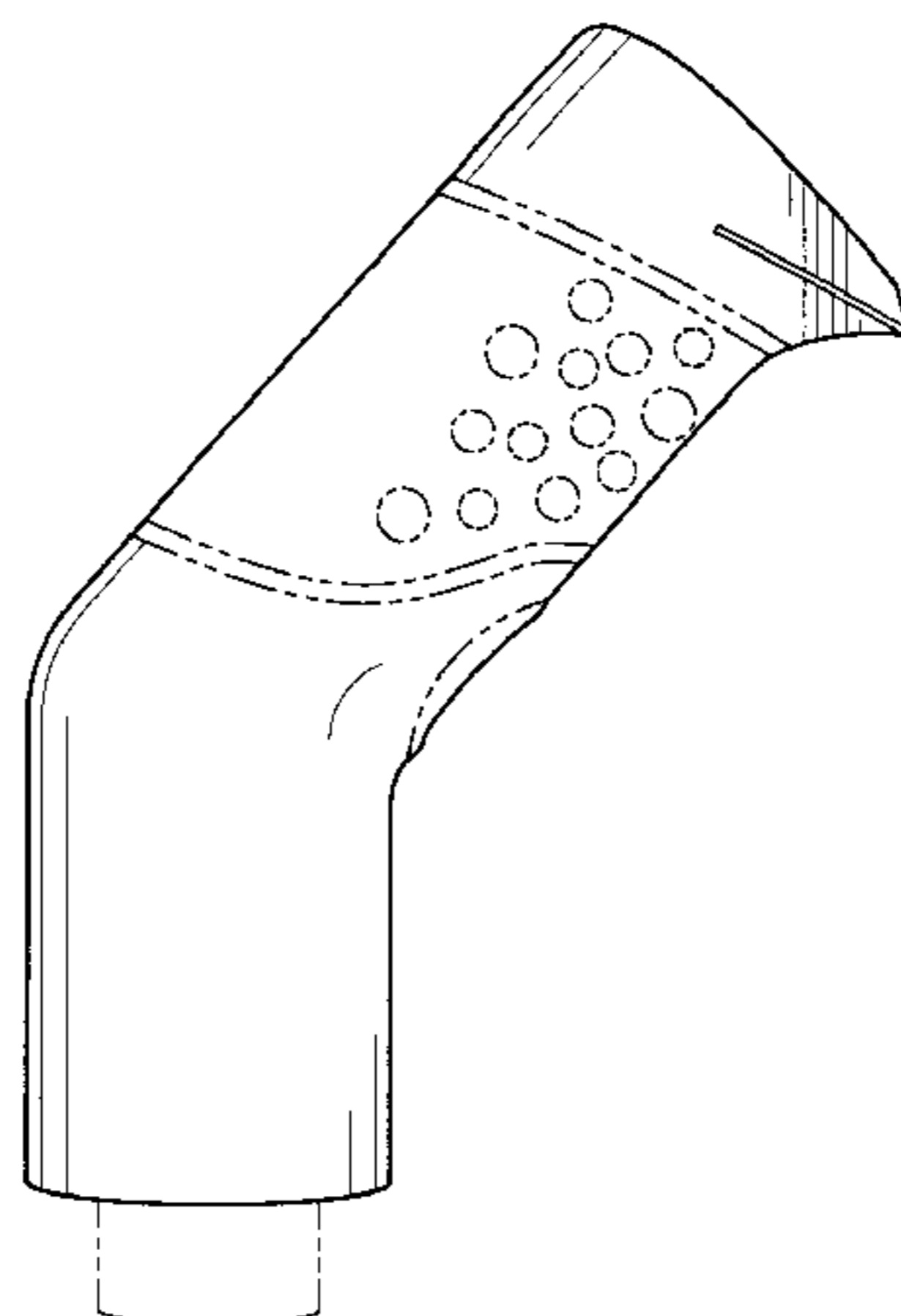
The ornamental design for a hand-held scrubber, as shown and described.

3,027,585 A	4/1962	Freedman et al.	
3,417,417 A	12/1968	Rhodes	
3,987,939 A	10/1976	Pedone, Jr. et al.	
D246,285 S	11/1977	Gallagher	
4,158,246 A	6/1979	Meadows et al.	
D259,076 S	5/1981	Doyel	
4,299,004 A	11/1981	Lancaster	
4,512,053 A	4/1985	Horak et al.	
D279,626 S	7/1985	McCloskey	
4,724,563 A *	2/1988	Fry et al.	15/28
4,826,053 A	5/1989	Keller	
4,826,340 A *	5/1989	Rothweiler et al.	401/279
D301,398 S *	6/1989	Cheung	D4/102
4,883,204 A	11/1989	Kay et al.	
4,932,094 A	6/1990	McCowin	
D313,890 S	1/1991	Machuron	
5,044,525 A	9/1991	McKinney	
D321,596 S *	11/1991	Zierhut	D4/114
D328,555 S	8/1992	Keller	
5,187,827 A *	2/1993	Wei	15/22.1
D346,041 S *	4/1994	Trinkaus	D28/7
D354,592 S	1/1995	Powers	
D361,247 S	8/1995	Snetting et al.	

DESCRIPTION

FIG. 1 is a perspective view of a hand-held scrubber showing our new design;
FIG. 2 is a left side view of the hand-held scrubber of FIG. 1;
FIG. 3 is a right side view of the hand-held scrubber of FIG. 1;
FIG. 4 is a front elevation view of the hand-held scrubber of FIG. 1;
FIG. 5 is a rear elevation view of the hand-held scrubber of FIG. 1;
FIG. 6 is an end view of the handle of the hand-held scrubber of FIG. 1;
FIG. 7 is a top plan view of the hand-held scrubber of FIG. 1; and,
FIG. 8 is a bottom view of the hand-held scrubber of FIG. 1.

1 Claim, 2 Drawing Sheets



US D526,100 S

Page 2

U.S. PATENT DOCUMENTS					
D380,069 S	6/1997	McCracken	5,956,792 A	9/1999	Gutelius et al.
5,664,634 A	9/1997	McCracken	5,978,999 A	11/1999	deBlois et al.
5,697,115 A	12/1997	Sciarra et al.	D417,789 S	12/1999	Murphy et al.
5,701,625 A	12/1997	Siman	6,248,007 B1	6/2001	deBlois et al.
5,706,541 A	1/1998	Gutelius et al.	6,250,833 B1	6/2001	Perry et al.
5,709,317 A	1/1998	Bertram et al.	D446,281 S	8/2001	Fehl et al.
5,718,014 A	2/1998	deBlois et al.	2002/0112741 A1	8/2002	Pieroni et al.
5,881,418 A	3/1999	Enoch	2003/0034358 A1	2/2003	Ma et al.
D413,445 S	9/1999	deBlois et al.	2005/0066996 A1 *	3/2005	France et al. 134/6
5,950,268 A	9/1999	Murphy et al.	2005/0069375 A1 *	3/2005	Kliegman et al. 401/278

* cited by examiner

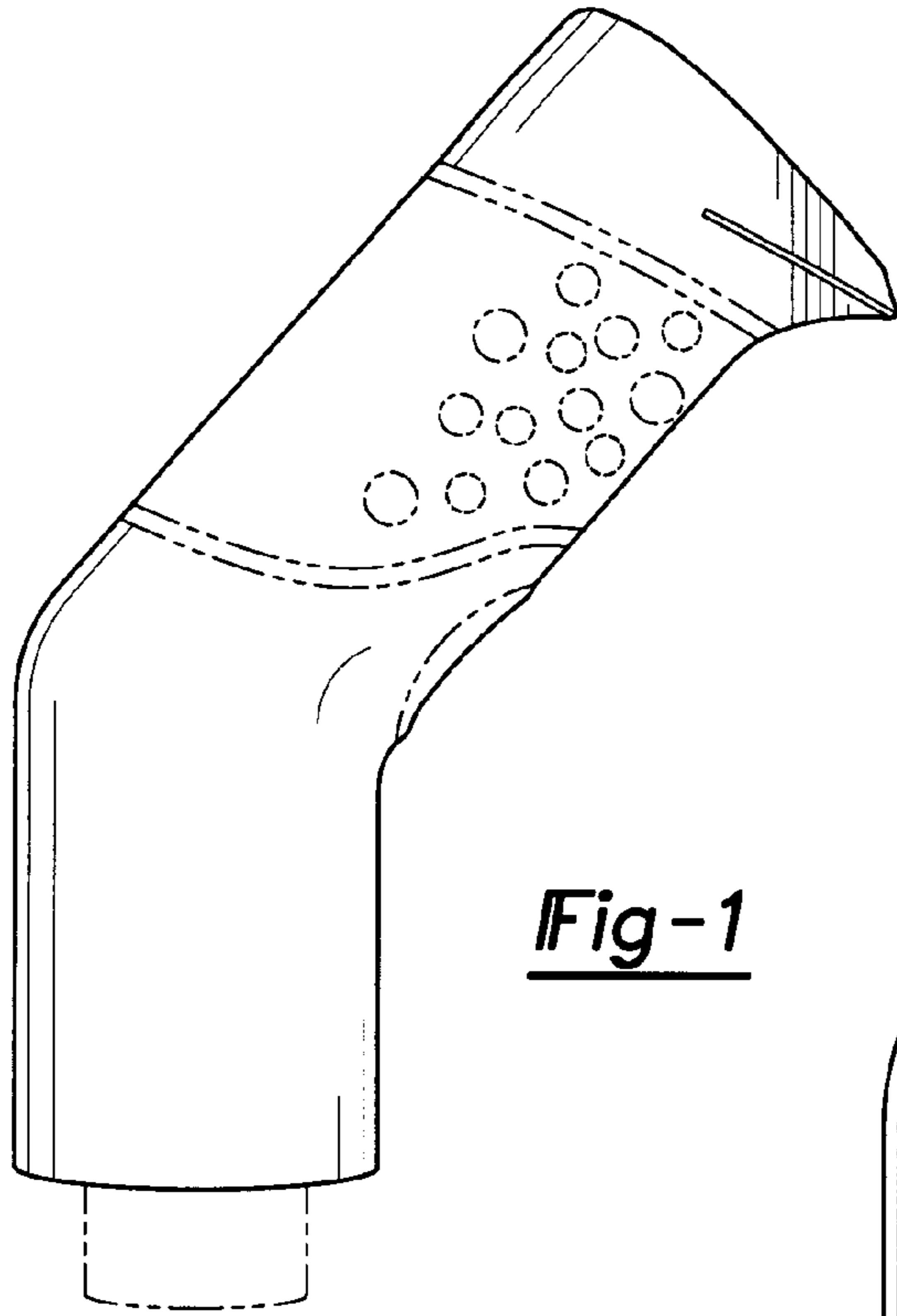


Fig-1

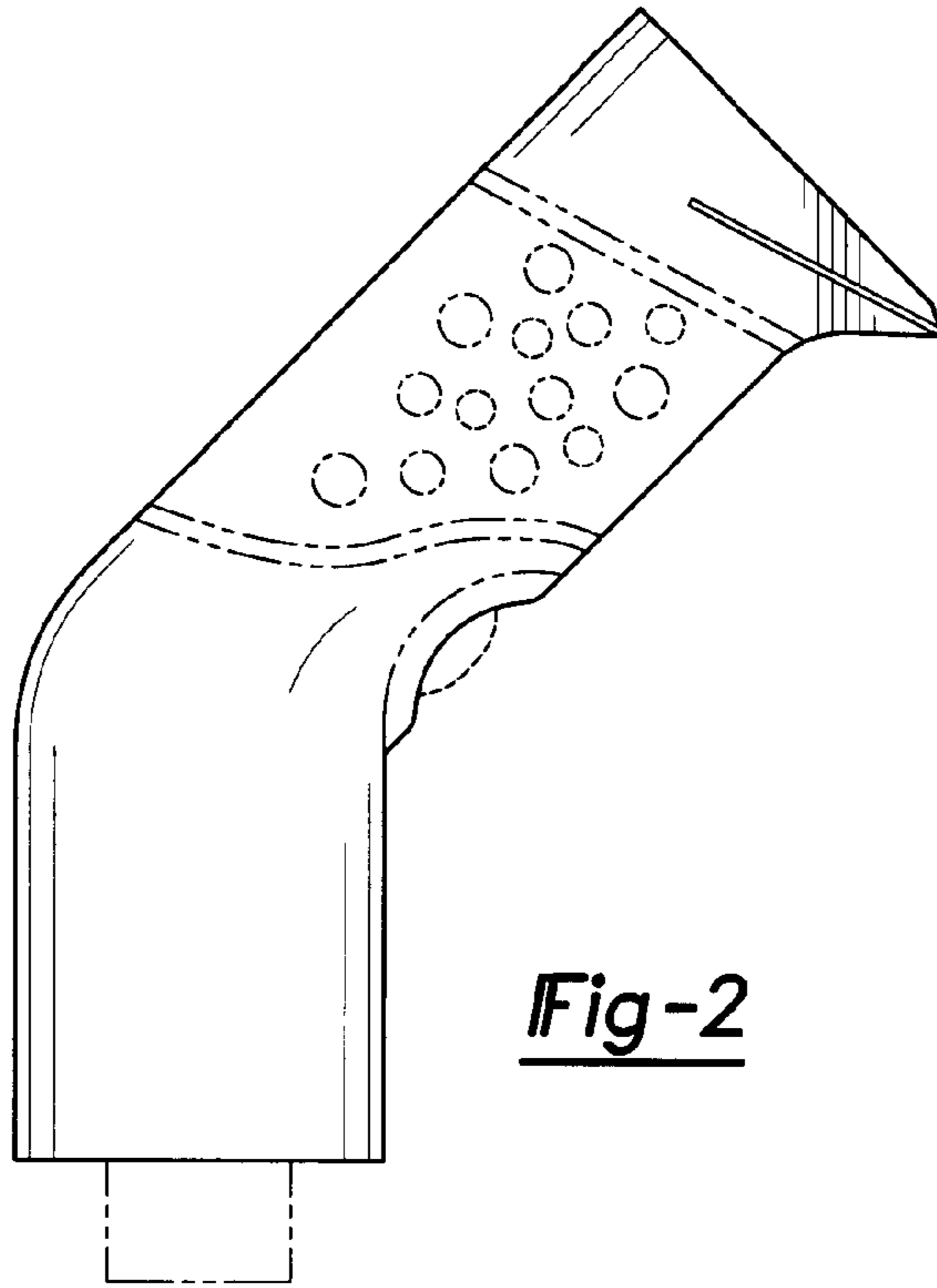


Fig-2

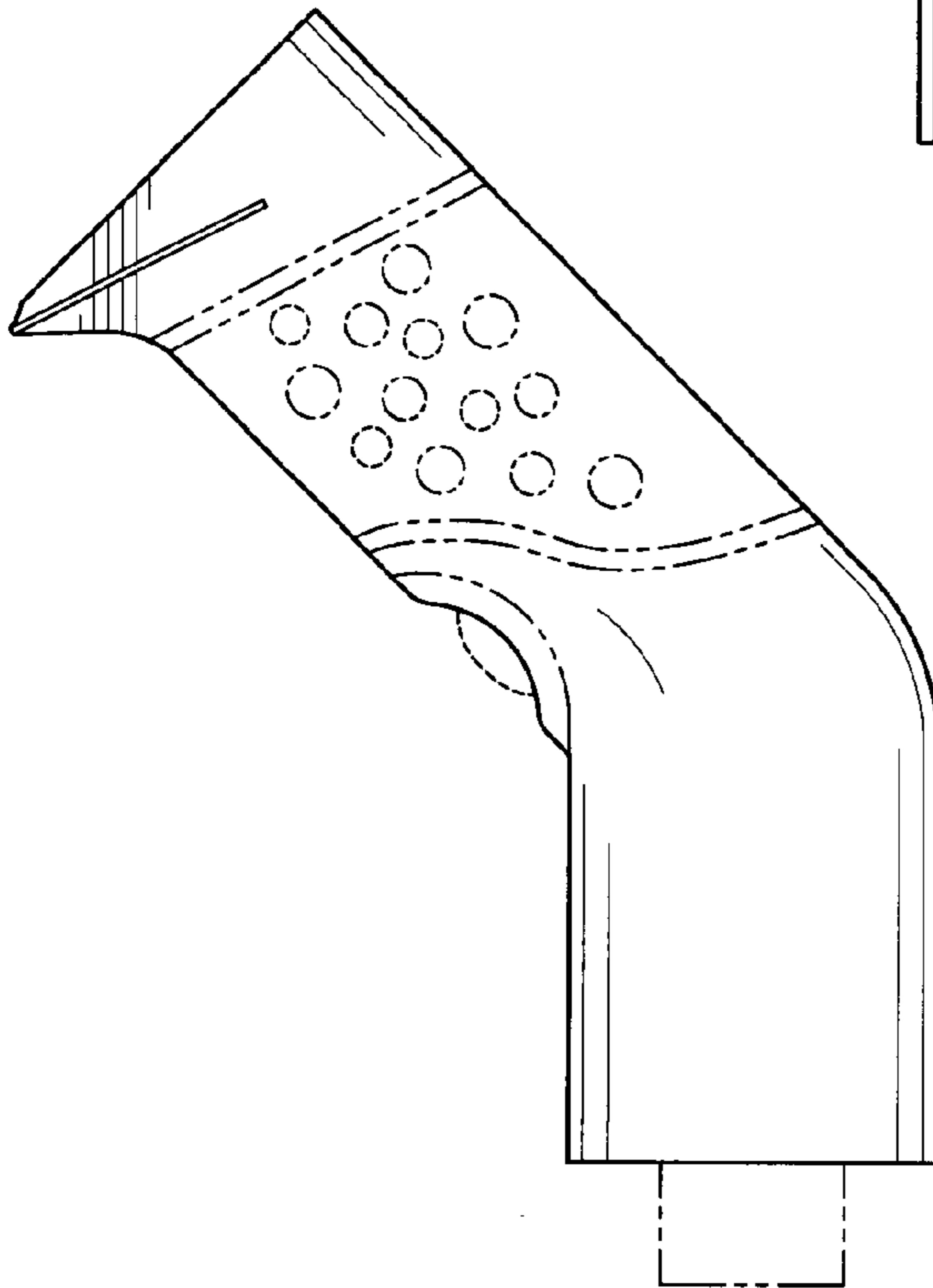


Fig-3

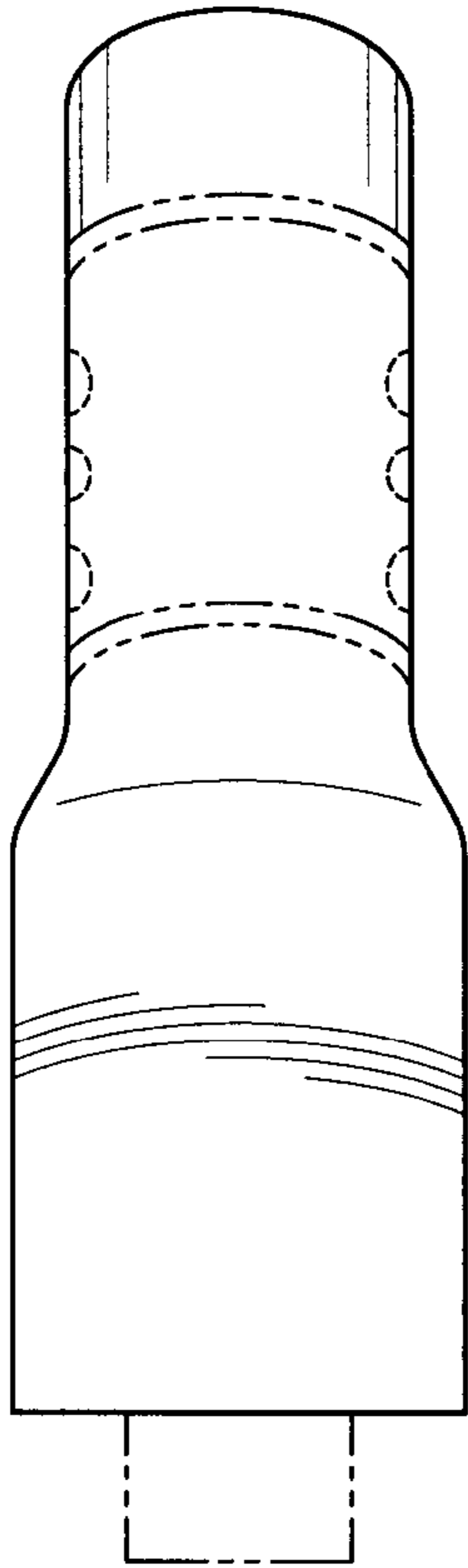


Fig-4

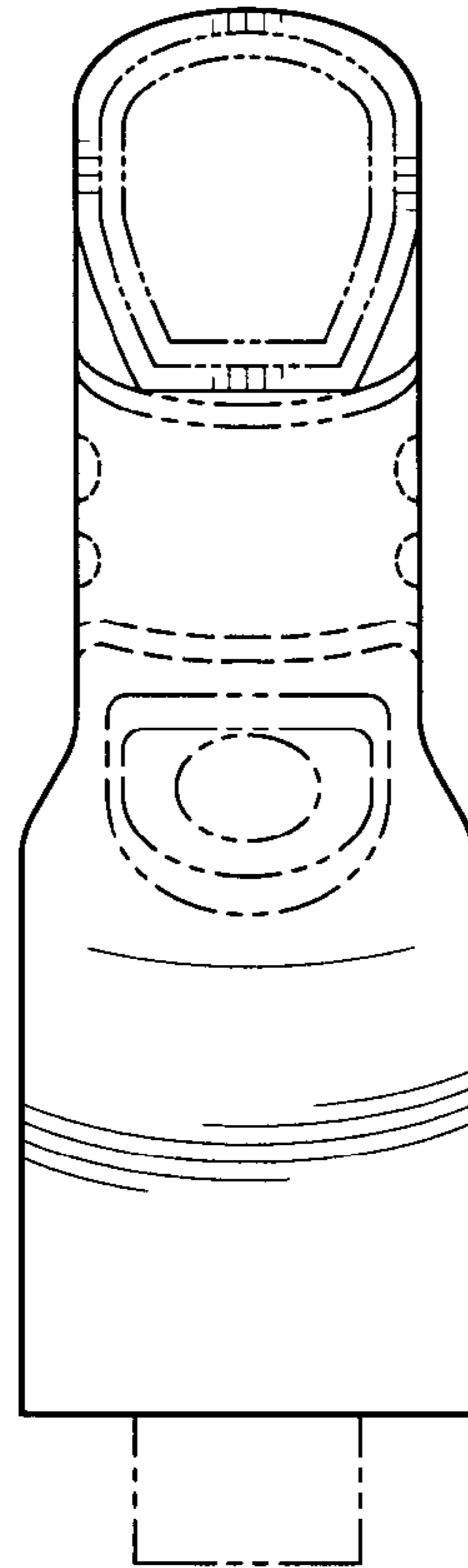


Fig-5

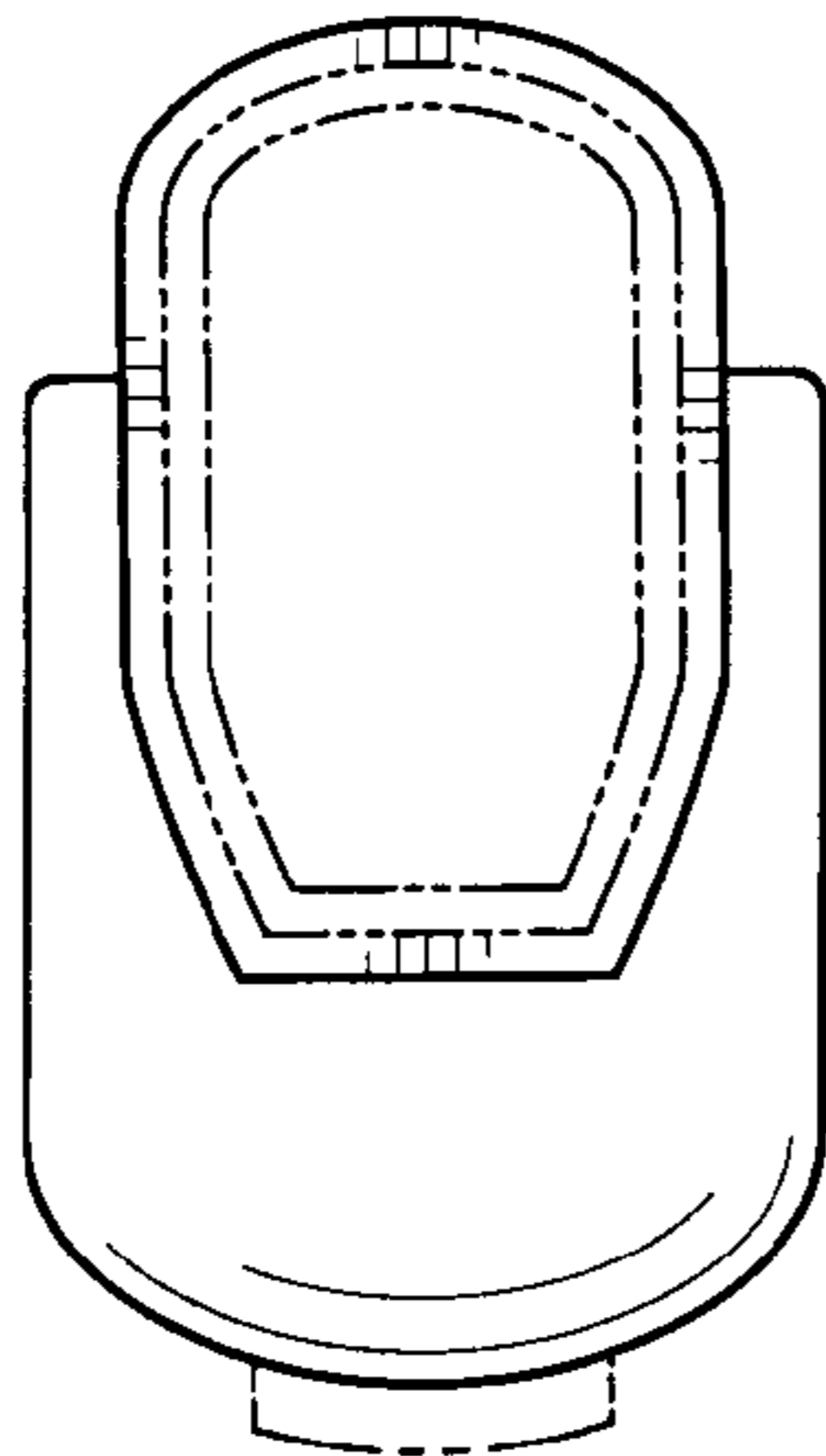


Fig-6

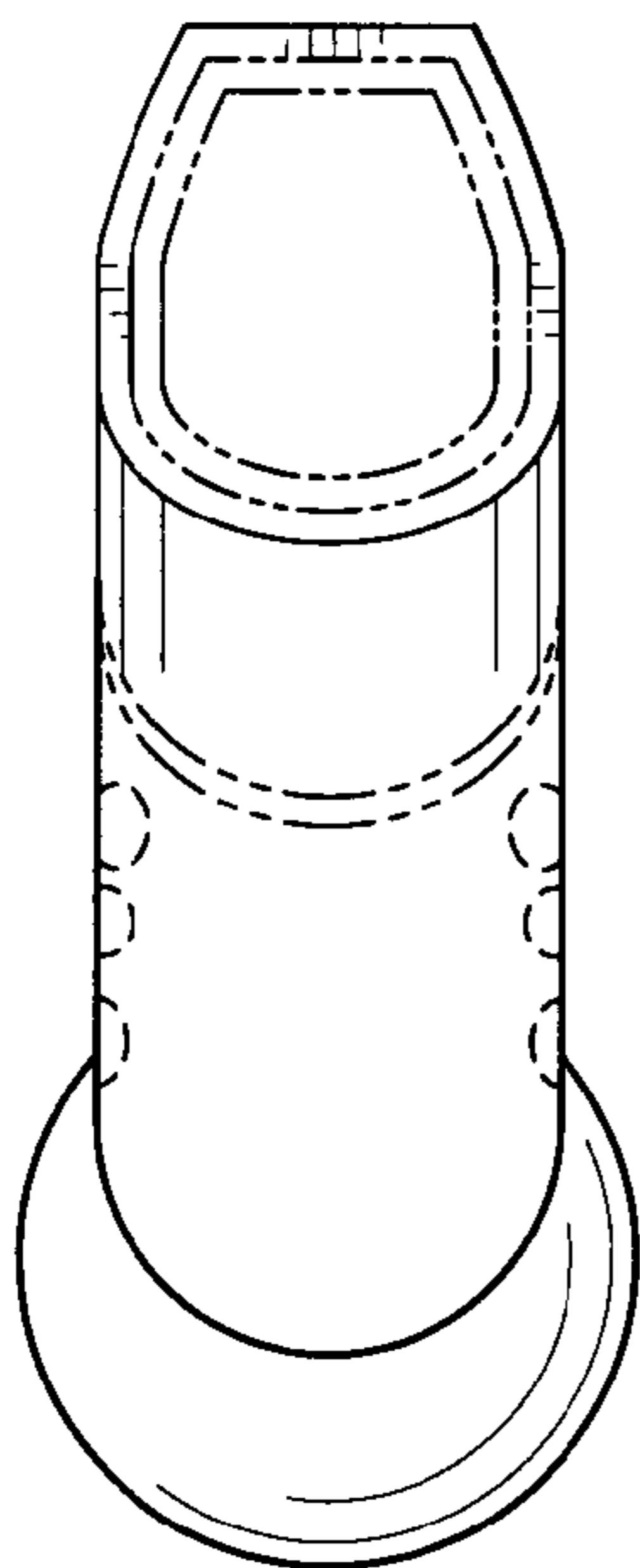


Fig-7

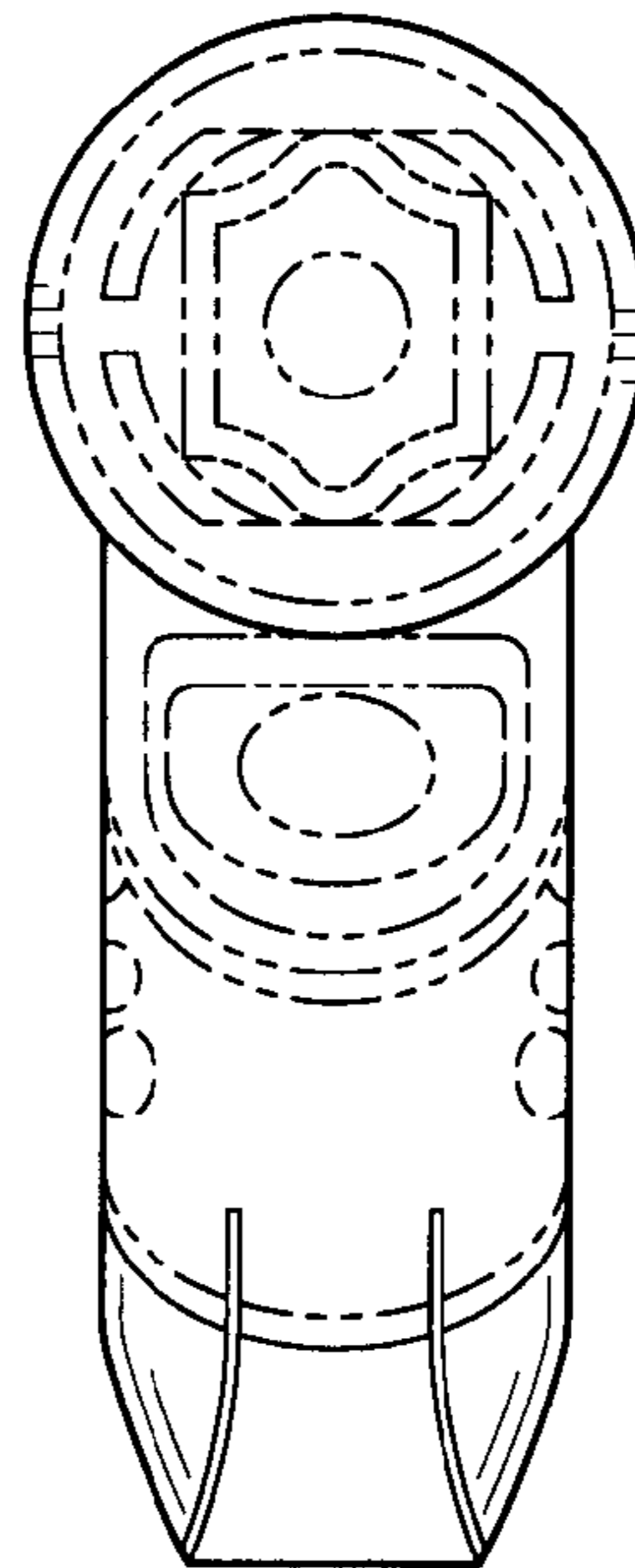


Fig-8