

US00D526097S

(12) **United States Design Patent**
Lilenthal et al.

(10) **Patent No.:** **US D526,097 S**

(45) **Date of Patent:** **** Aug. 1, 2006**

(54) **SIDE PORTION OF A WELDING HELMET**

D411,900 S 7/1999 Puleo
D418,255 S 12/1999 Hohdorf

(75) Inventors: **Niklas Lilenthal**, Djura (SE); **Kjell I. Mases**, Gagnef (SE); **David Crafoord**, Bromma (SE); **Rutger Belin**, Leksand (SE); **Lennart C. Fredriksson**, Basvagen (SE); **Jonas D. Fridholm**, Bromma (SE); **Oskar E. Juhlin**, Gustavsberg (SE)

(Continued)

OTHER PUBLICATIONS

U.S. Appl. No. D29/236,040, filed Aug. 9, 2005 to Crafoord et al. entitled Welding Helmet Visor.
U.S. Appl. No. D29/236,038, filed Aug. 9, 2005 to Belin et al. entitled Welding Helmet Visor Flanges.
U.S. Appl. No. D29/236,039, filed Aug. 9, 2005 to Fredriksson et al. entitled Side Portion Of A Welding Helmet.
U.S. Appl. No. D29/236,061, filed Aug. 9, 2005 to Fridholm et al. entitled Welding Helmet Lens Frame.
U.S. Appl. No. D29/236,062, filed Aug. 9, 2005 to Juhlin et al. entitled Top Portion Of A Welding Helmet.
U.S. Appl. No. D29/236,009, filed Aug. 9, 2005 to Mases et al. entitled Ear Portion Of A Welding Helmet.
U.S. Appl. No. D29/236,058, filed Aug. 9, 2005 to Lilenthal et al. entitled Welding Helmet Lens Shield.
U.S. Appl. No. D29/236,057, filed Aug. 9, 2005 to Lilenthal et al. entitled Welding Helmet.

(73) Assignee: **3M Innovative Properties Company**, St. Paul, MN (US)

(**) Term: **14 Years**

(21) Appl. No.: **29/236,060**

(22) Filed: **Aug. 9, 2005**

(51) **LOC (8) Cl.** **29-02**

(52) **U.S. Cl.** **D29/122**

(58) **Field of Classification Search** D29/102-110,
D29/122; 2/7-8, 15, 410, 424, 427, 429,
2/9, 430-433, 441; 219/147; 359/361; 434/234;
D24/110.2, 110.3; 128/206.21
See application file for complete search history.

Primary Examiner—Ruth McInroy

(74) *Attorney, Agent, or Firm*—Karl G. Hanson

(56) **References Cited**

U.S. PATENT DOCUMENTS

D249,396 S	9/1978	Kamata	
D250,856 S	* 1/1979	Siebert D29/110
D251,156 S	2/1979	Schleicher et al.	
D294,747 S	3/1988	Gevert	
D312,513 S	11/1990	Morin	
D322,493 S	* 12/1991	Metzger D29/110
D324,588 S	* 3/1992	Metzger D29/110
D331,299 S	11/1992	Kamata	
D331,474 S	12/1992	Lehtonen	
D340,546 S	10/1993	Kamata	
D351,685 S	10/1994	Kamata	
D354,375 S	1/1995	Lechner	
D361,867 S	8/1995	Taniuchi	
D365,666 S	12/1995	Gumpp	
D393,933 S	4/1998	Huh	
D394,732 S	* 5/1998	Huh D29/110
D398,421 S	* 9/1998	Crafoord et al. D29/110

(57) **CLAIM**

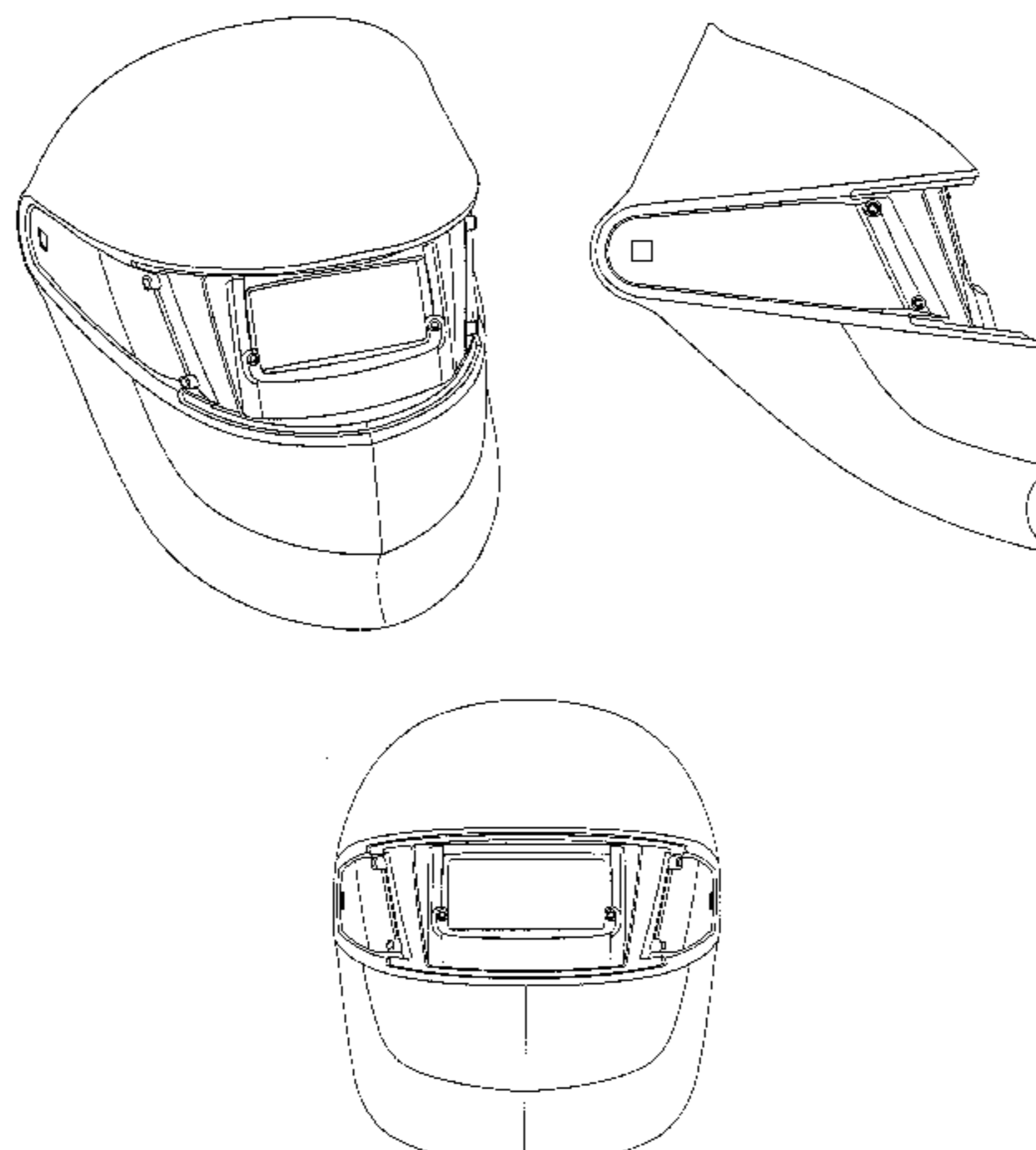
The ornamental design for a side portion of a welding helmet, as shown and described.

DESCRIPTION

FIG. 1 is a perspective view, showing the new design for a side portion of a welding helmet;
FIG. 2 is a left side view, the right side view being a mirror image thereof;
FIG. 3 is a top view thereof;
FIG. 4 is a front view thereof;
FIG. 5 is a bottom view thereof; and,
FIG. 6 is a rear view thereof.

The broken lines form no part of the claimed design, and the shading is provided to illustrate contour only and is not an indication of texture, gloss, etc.

1 Claim, 4 Drawing Sheets



US D526,097 S

Page 2

U.S. PATENT DOCUMENTS

D419,727 S	*	1/2000	Verkic et al.	D29/110	D482,502 S	11/2003	Huh	
D445,546 S		7/2001	Gafforio		D482,503 S	11/2003	Huh	
D446,357 S		8/2001	Shida		D485,947 S	1/2004	Pelletier et al.	
D446,887 S	*	8/2001	Young	D29/107	D485,948 S	1/2004	Yi	
D450,160 S		11/2001	Kalhok		D489,492 S	* 5/2004	Wu	D29/110
D452,592 S		12/2001	Kalhok		D492,817 S	7/2004	Simpson	
D452,643 S		1/2002	Morita		D497,223 S	10/2004	Kalhok	
D461,935 S		8/2002	Hahm		D498,881 S	11/2004	Yi	
D475,815 S		6/2003	Kalhok		D498,883 S	11/2004	Simpson	
D481,832 S	*	11/2003	Huh	D29/110				* cited by examiner

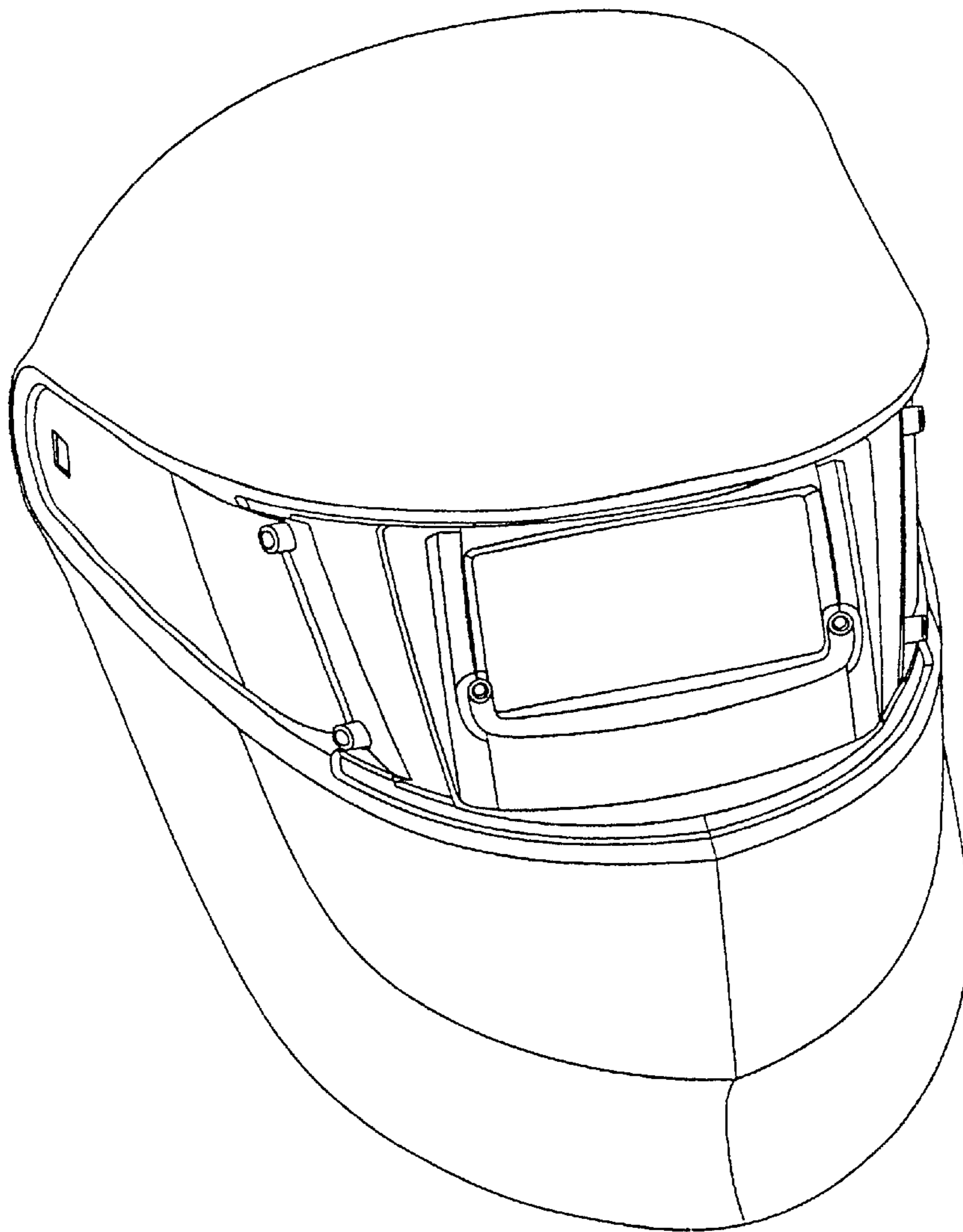


Fig. 1

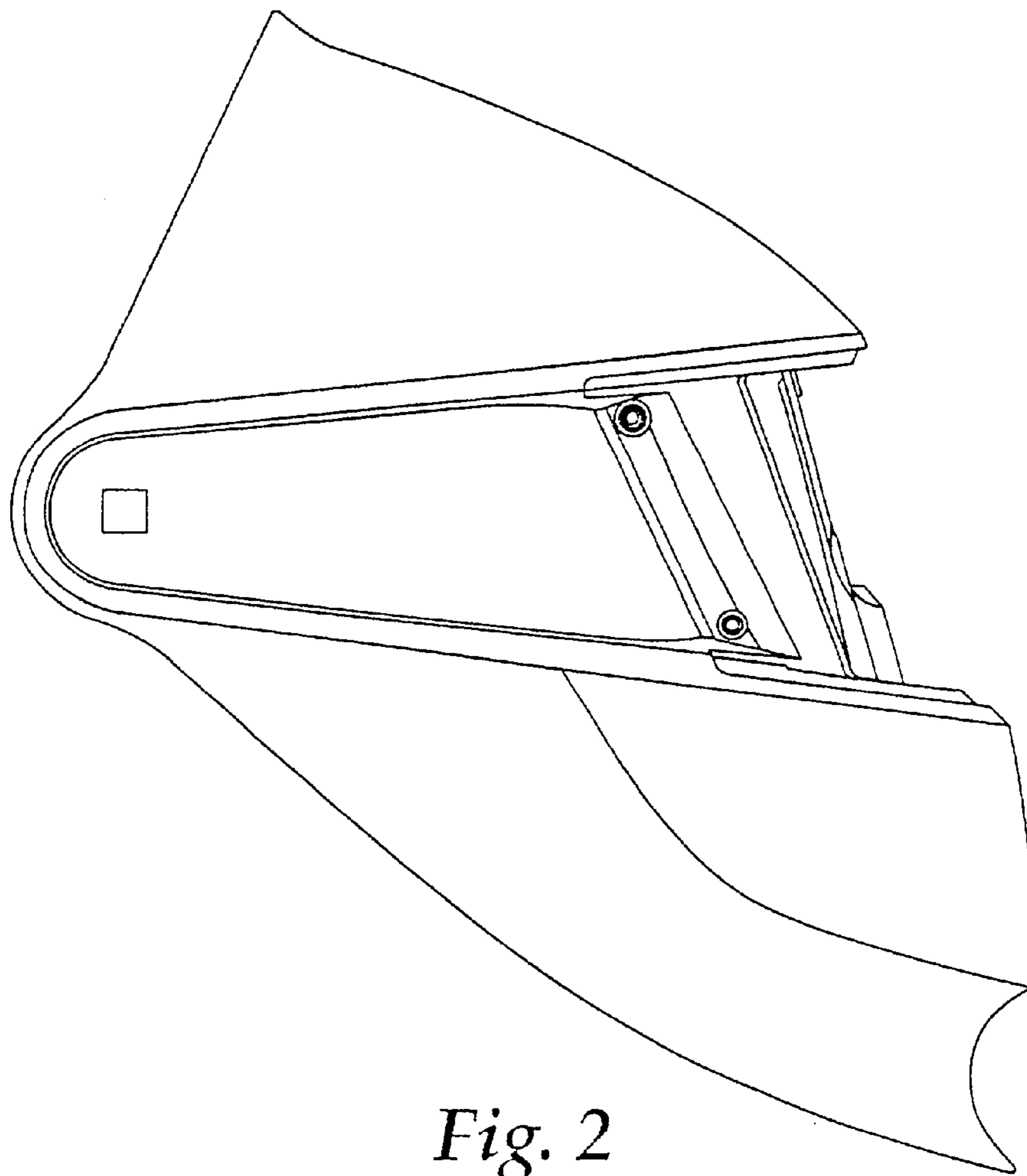
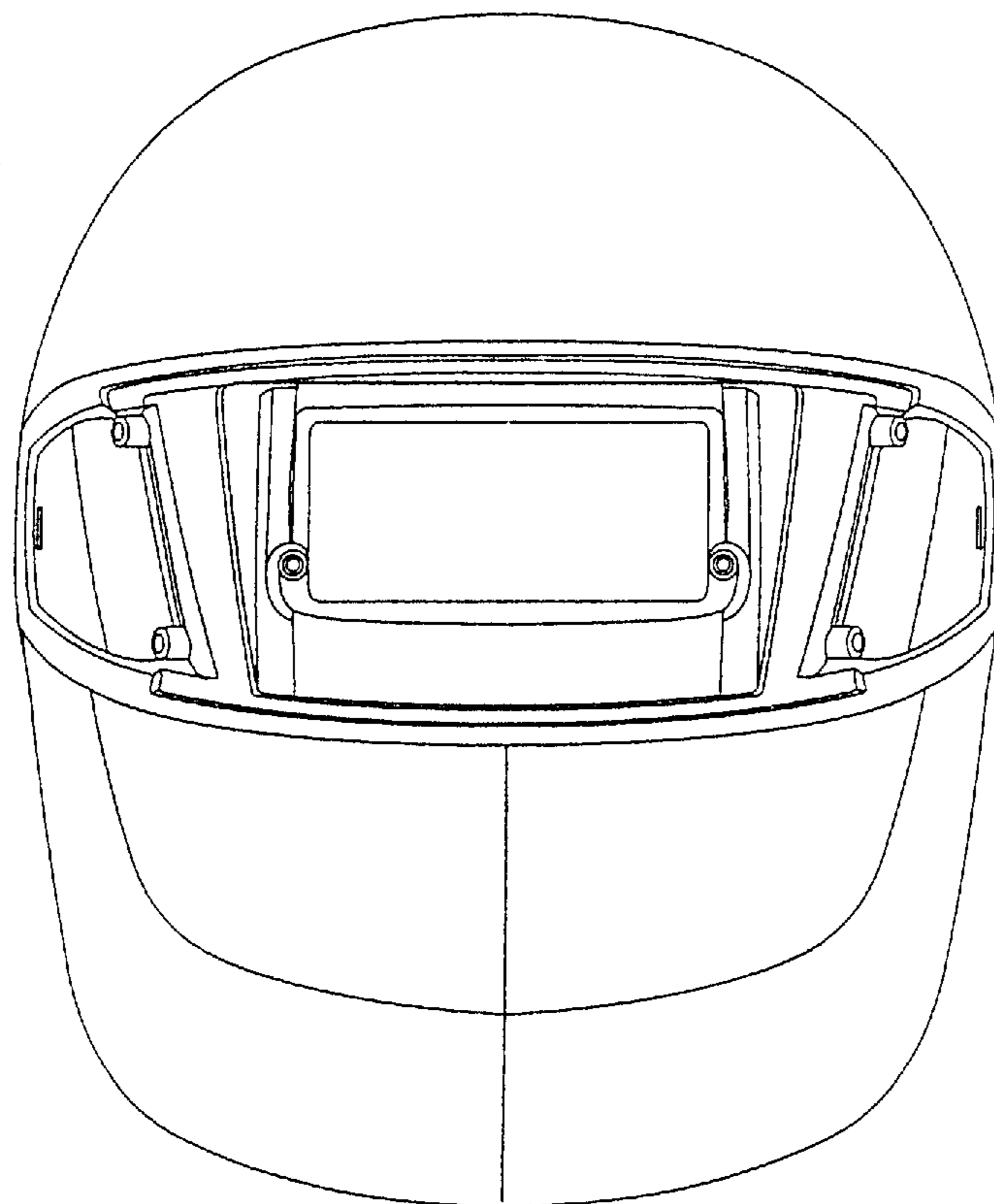
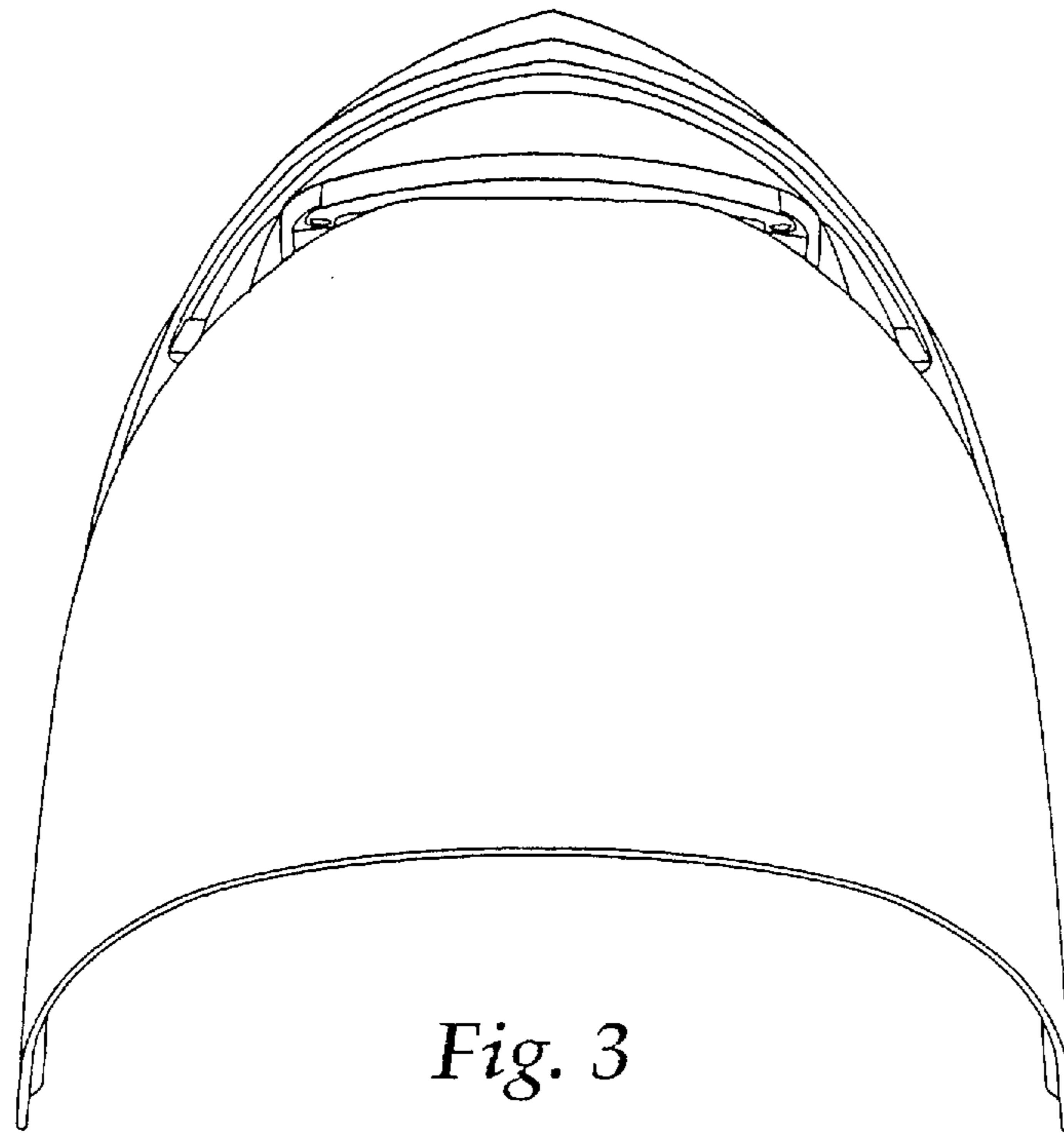


Fig. 2



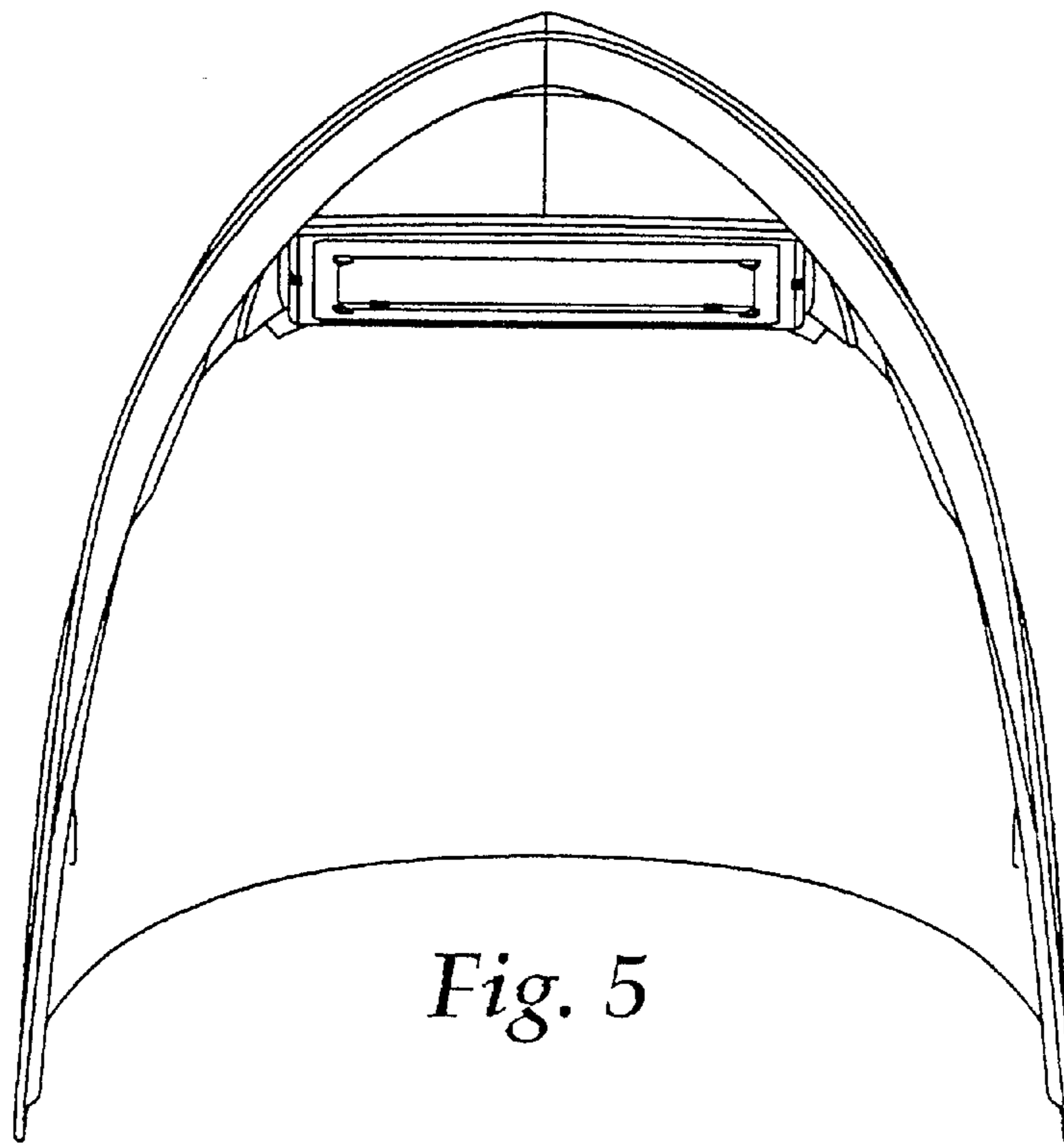


Fig. 5

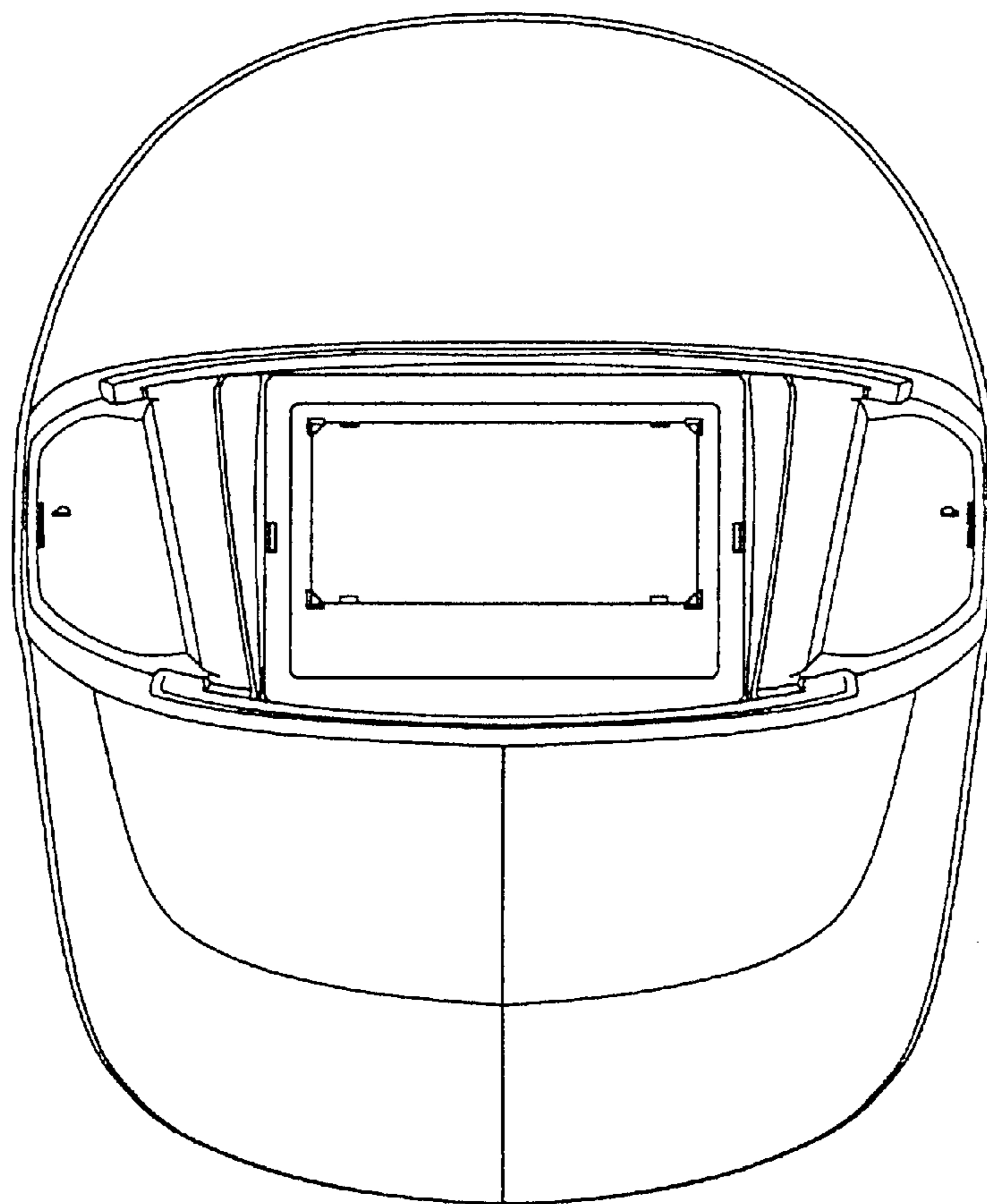


Fig. 6

UNITED STATES PATENT AND TRADEMARK OFFICE
CERTIFICATE OF CORRECTION

PATENT NO. : Des. 526,097 S
APPLICATION NO. : 29/236060
DATED : August 1, 2006
INVENTOR(S) : Niklas Lilenthal

Page 1 of 6

It is certified that error appears in the above-identified patent and that said Letters Patent is hereby corrected as shown below:

The title page should be deleted to appear as per attached title page.

The sheets of drawings consisting of figures 1-6 should be deleted to appear as per attached figures 1-6.

Signed and Sealed this

Twentieth Day of November, 2007

A handwritten signature in black ink on a light gray dotted background. The signature reads "Jon W. Dudas" in a cursive style.

JON W. DUDAS

Director of the United States Patent and Trademark Office

(12) **United States Design Patent** (10) Patent No.: **US D526,097 S**
 Lilenthal et al. (45) Date of Patent: ** Aug. 1, 2006

(54) **SIDE PORTION OF A WELDING HELMET**

D411,900 S 7/1999 Pufco
 D418,255 S 12/1999 Hahndorf

(75) Inventors: Niklas Lilenthal, Djura (SE); Kjell L. Mases, Gagnef (SE); David Crafoord, Bromma (SE); Rutger Belin, Leksand (SE); Lennart C. Fredriksson, Basvagen (SE); Jonas D. Fridholm, Bromma (SE); Oskar E. Juhlin, Gustavsberg (SE)

(Continued)

OTHER PUBLICATIONS

U.S. Appl. No. D29/236,040, filed Aug. 9, 2005 to Crafoord et al. entitled Welding Helmet Visor.
 U.S. Appl. No. D29/236,038, filed Aug. 9, 2005 to Belin et al. entitled Welding Helmet Visor Flanges.
 U.S. Appl. No. D29/236,039, filed Aug. 9, 2005 to Fredriksson et al. entitled Side Portion Of A Welding Helmet.
 U.S. Appl. No. D29/236,061, filed Aug. 9, 2005 to Fridholm et al. entitled Welding Helmet Lens Frame.
 U.S. Appl. No. D29/236,062, filed Aug. 9, 2005 to Juhlin et al. entitled Top Portion Of A Welding Helmet.
 U.S. Appl. No. D29/236,009, filed Aug. 9, 2005 to Mases et al. entitled Ear Portion Of A Welding Helmet.
 U.S. Appl. No. D29/236,058, filed Aug. 9, 2005 to Lilenthal et al. entitled Welding Helmet Lens Shield.
 U.S. Appl. No. D29/236,057, filed Aug. 9, 2005 to Lilenthal et al. entitled Welding Helmet.

(73) Assignee: 3M Innovative Properties Company, St. Paul, MN (US)

(**) Term: 14 Years

(21) Appl. No.: 29/236,060

(22) Filed: Aug. 9, 2005

(51) LOC (8) Cl. 29-02
 (52) U.S. Cl. D29/122
 (58) Field of Classification Search D29/102-110,
 D29/122; 2/7-8, 15, 410, 424, 427, 429,
 2/9, 430-433, 441; 219/147; 359/361; 434/234;
 D24/110.2, 110.3; 128/206.21
 See-application file for complete search history.

Primary Examiner—Ruth McInroy
 (74) Attorney, Agent, or Firm—Karl G. Hanson

(57) **CLAIM**

The ornamental design for a side portion of a welding helmet, as shown and described.

DESCRIPTION

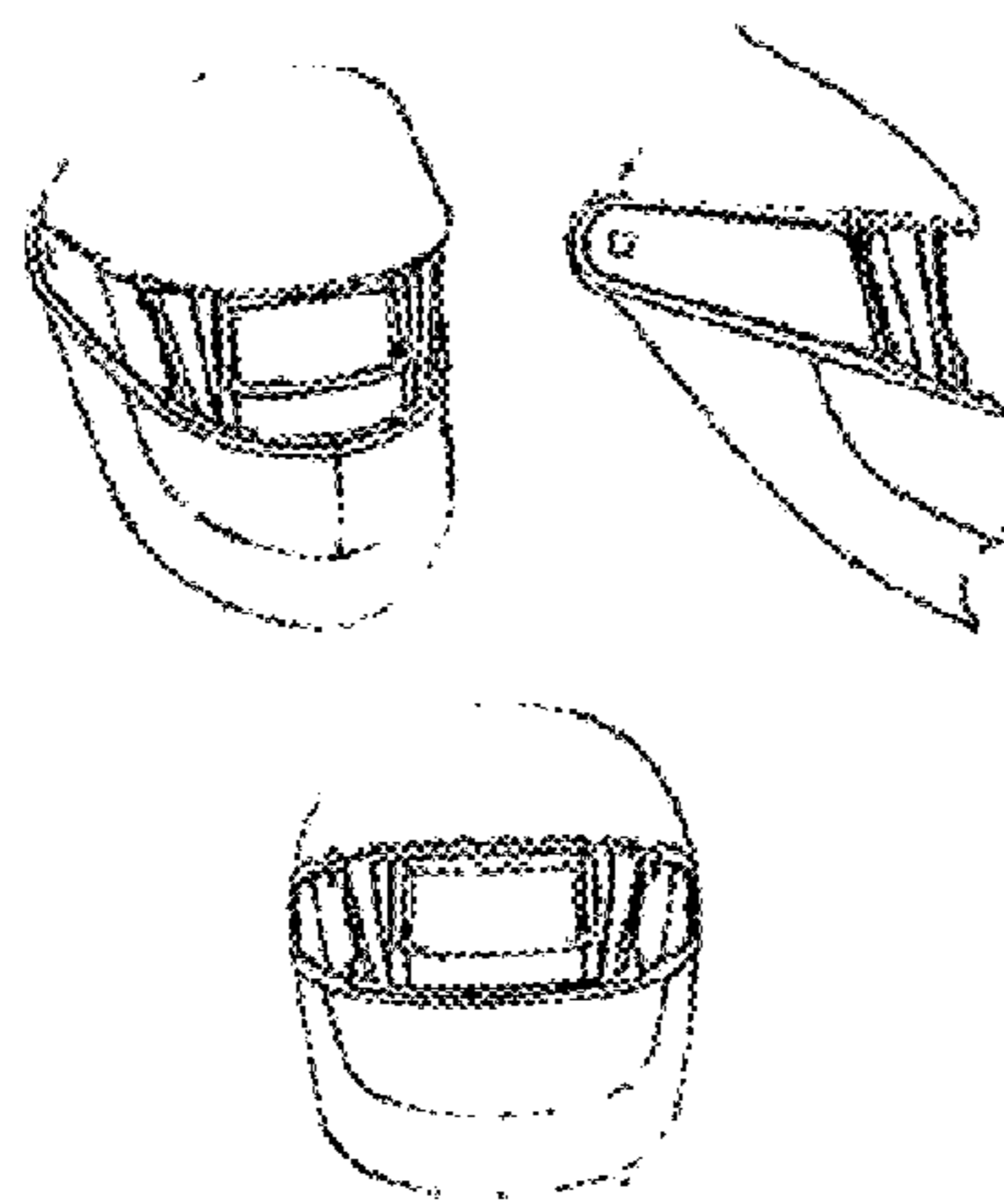
FIG. 1 is a perspective view, showing the new design for a side portion of a welding helmet;
 FIG. 2 is a left side view, the right side view being a mirror image thereof;
 FIG. 3 is a top view thereof;
 FIG. 4 is a front view thereof;
 FIG. 5 is a bottom view thereof; and,
 FIG. 6 is a rear view thereof.
 The broken lines form no part of the claimed design, and the shading is provided to illustrate contour only and is not an indication of texture, glass, etc.

I Claim, 4 Drawing Sheets

(56) **References Cited**

U.S. PATENT DOCUMENTS

D249,396 S 9/1978 Kamata
 D250,856 S * 1/1979 Siebert D29/110
 D251,156 S 2/1979 Schleicher et al.
 D284,747 S 3/1988 Gevert
 D312,513 S 11/1990 Morin
 D322,493 S * 12/1991 Metzger D29/110
 D324,588 S * 3/1992 Metzger D29/110
 D331,299 S 11/1992 Kamata
 D331,474 S 12/1992 Lehtonen
 D340,546 S 10/1993 Kamata
 D351,685 S 10/1994 Kamata
 D354,375 S 1/1995 Lechner
 D361,867 S 8/1995 Taniuchi
 D365,666 S 12/1995 Gumpf
 D393,933 S 4/1998 Hub
 D394,732 S * 5/1998 Hub D29/110
 D398,421 S * 9/1998 Crafoord et al. D29/110



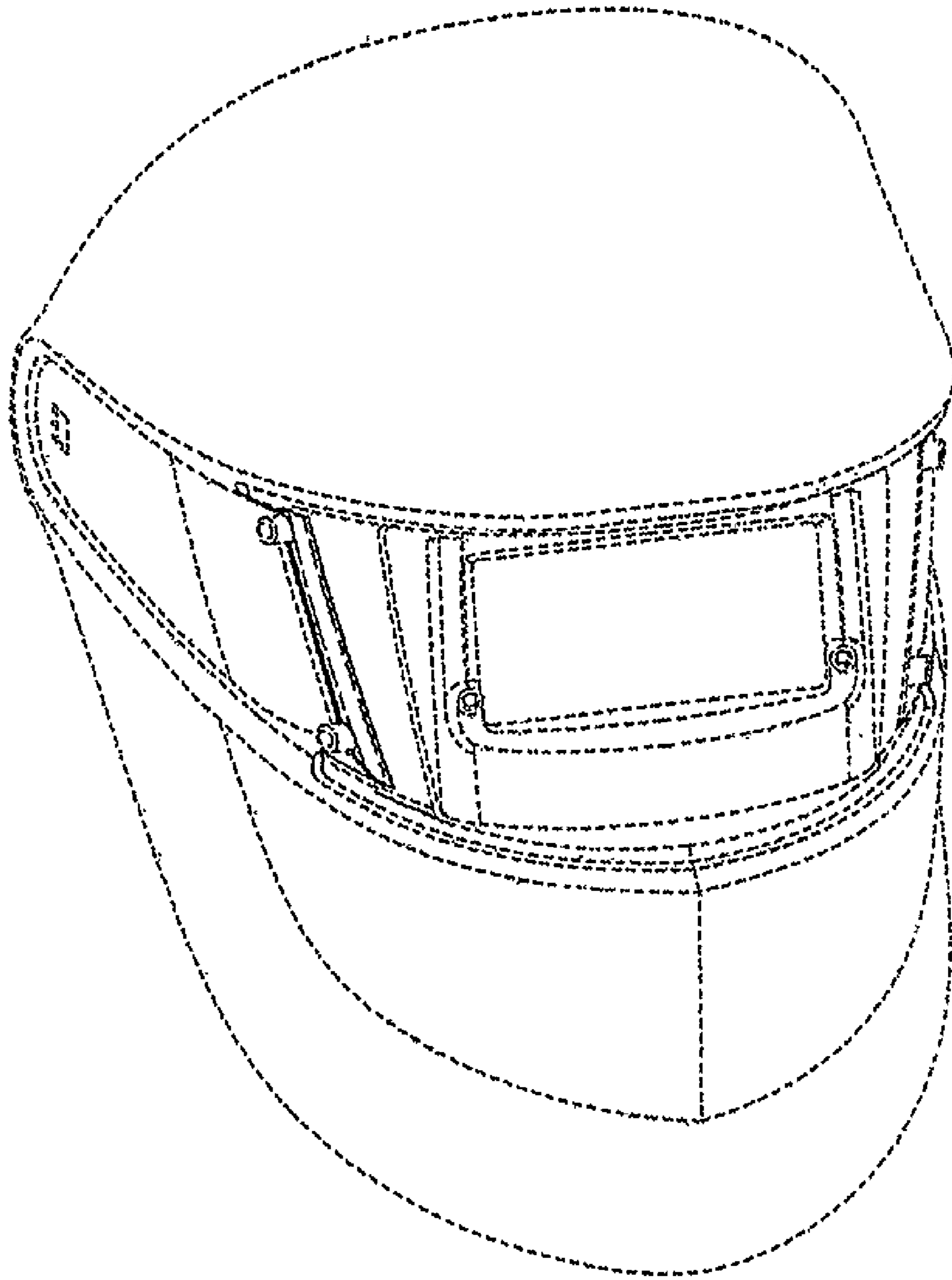


Fig. 1

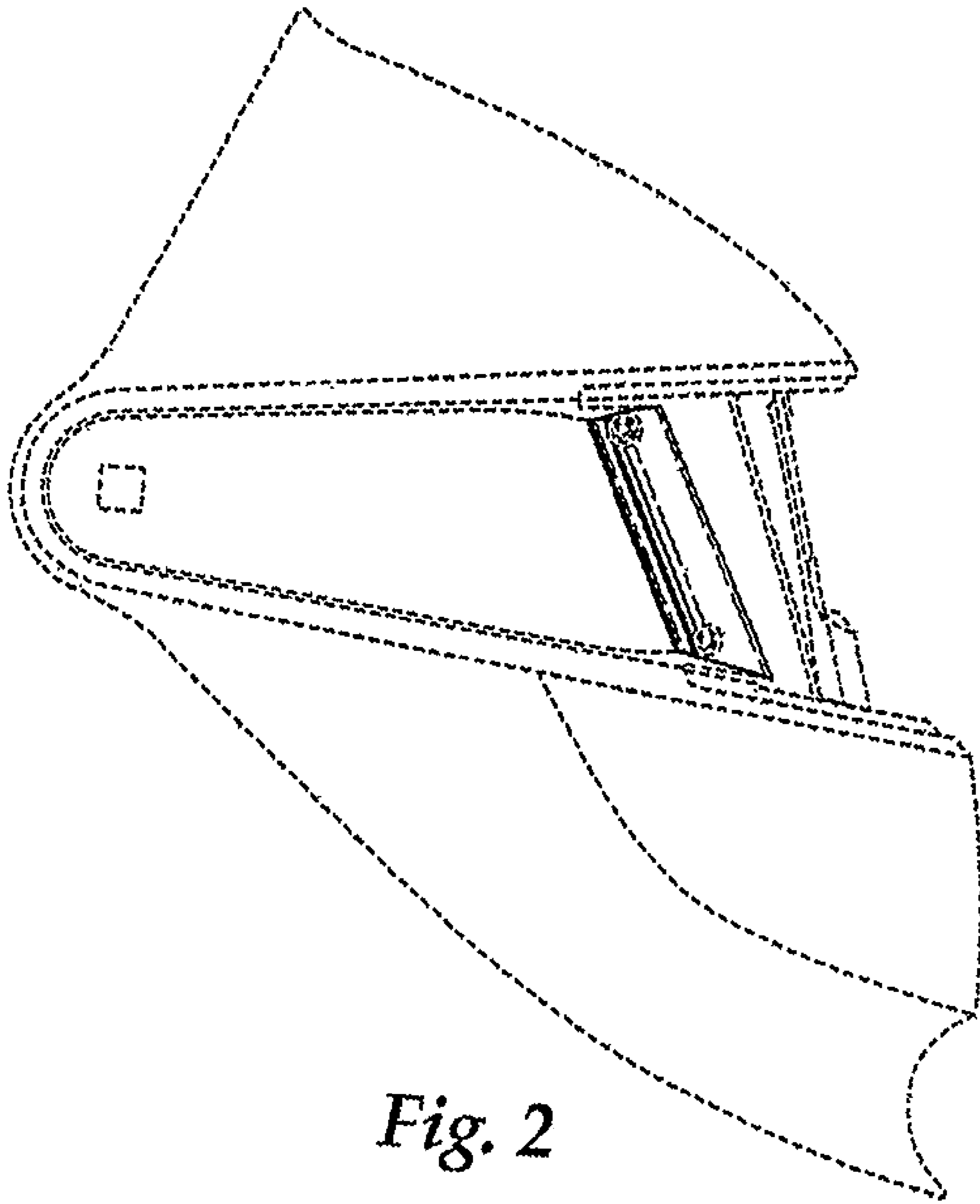


Fig. 2

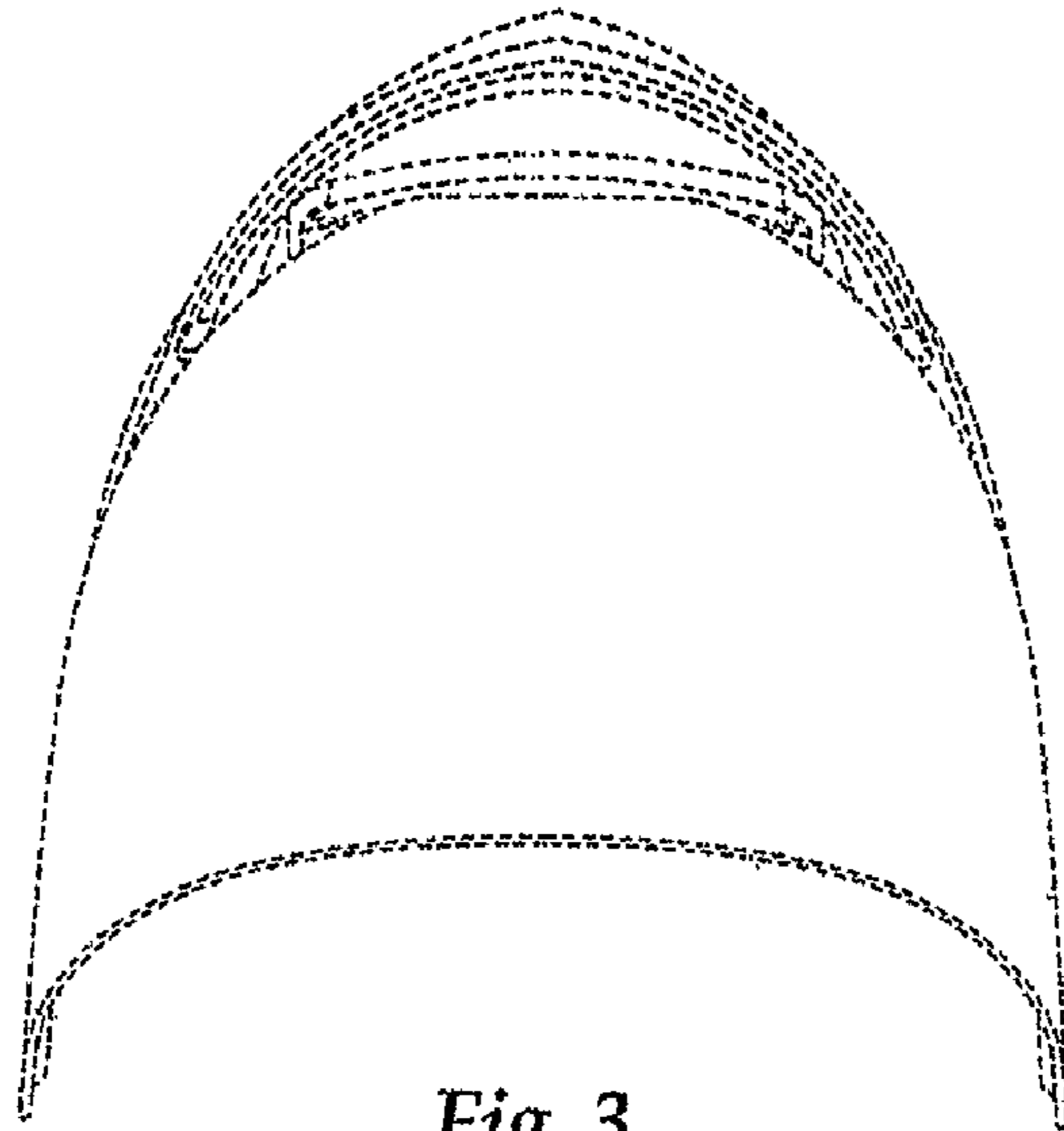


Fig. 3

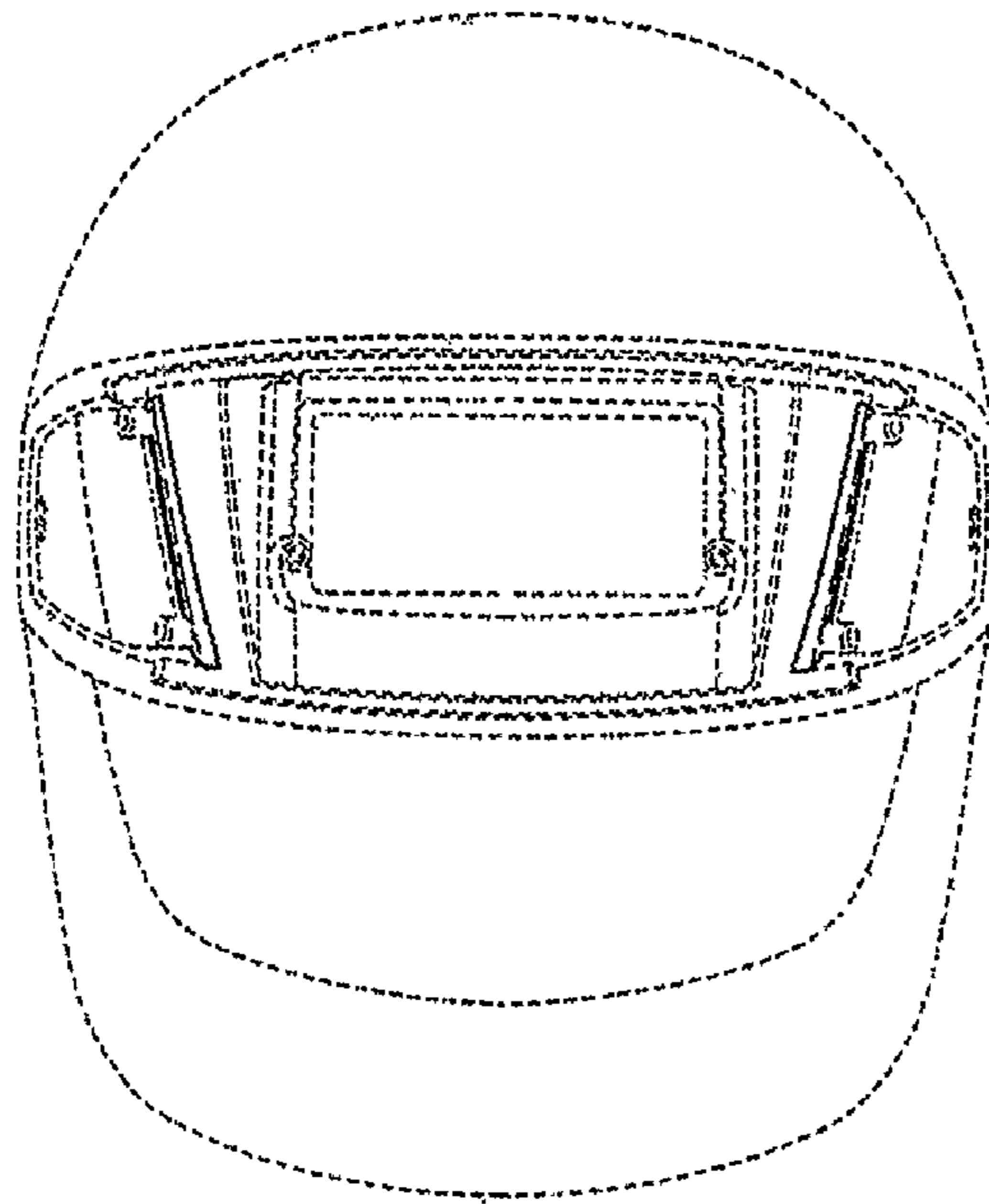


Fig. 4

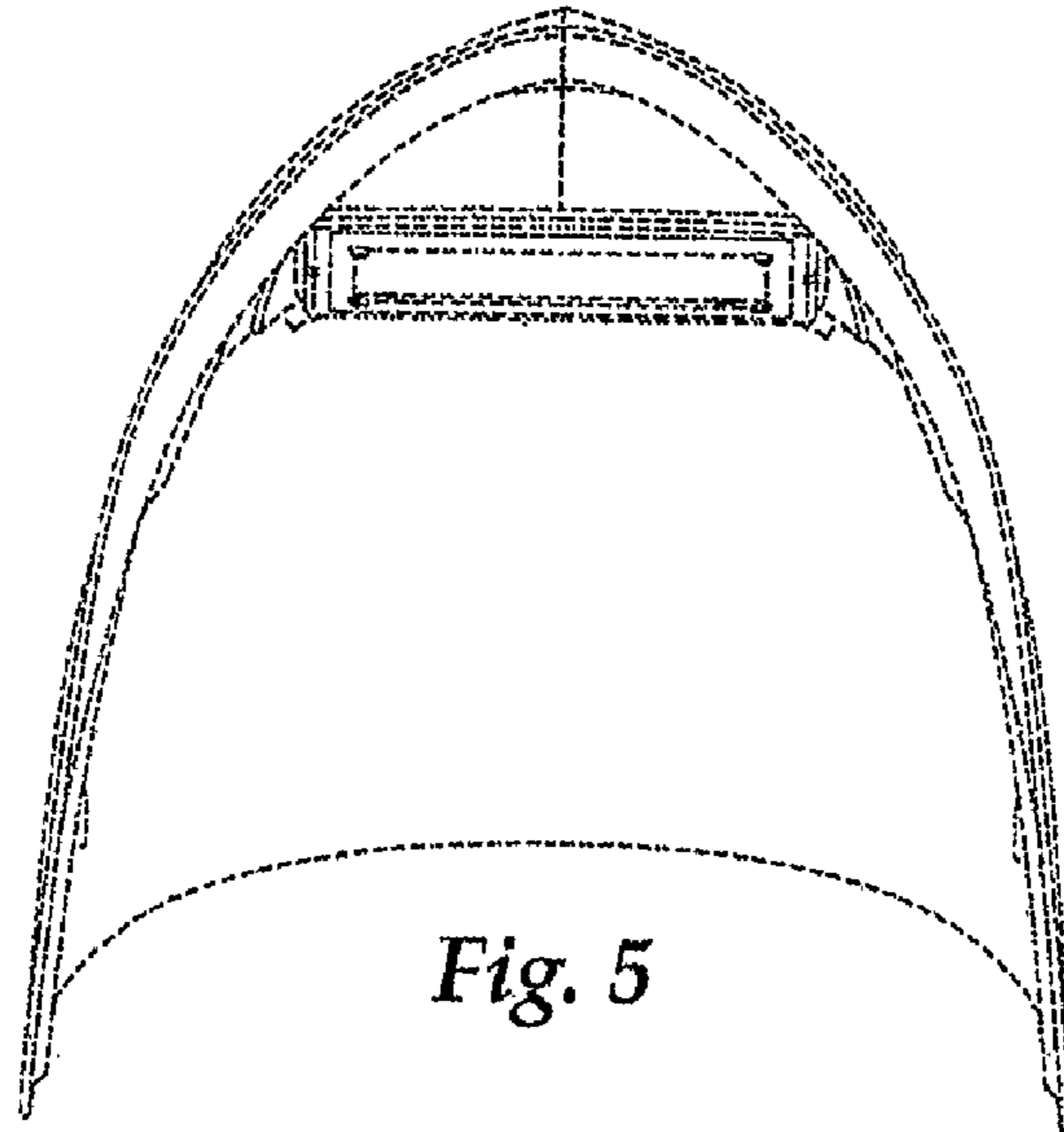


Fig. 5

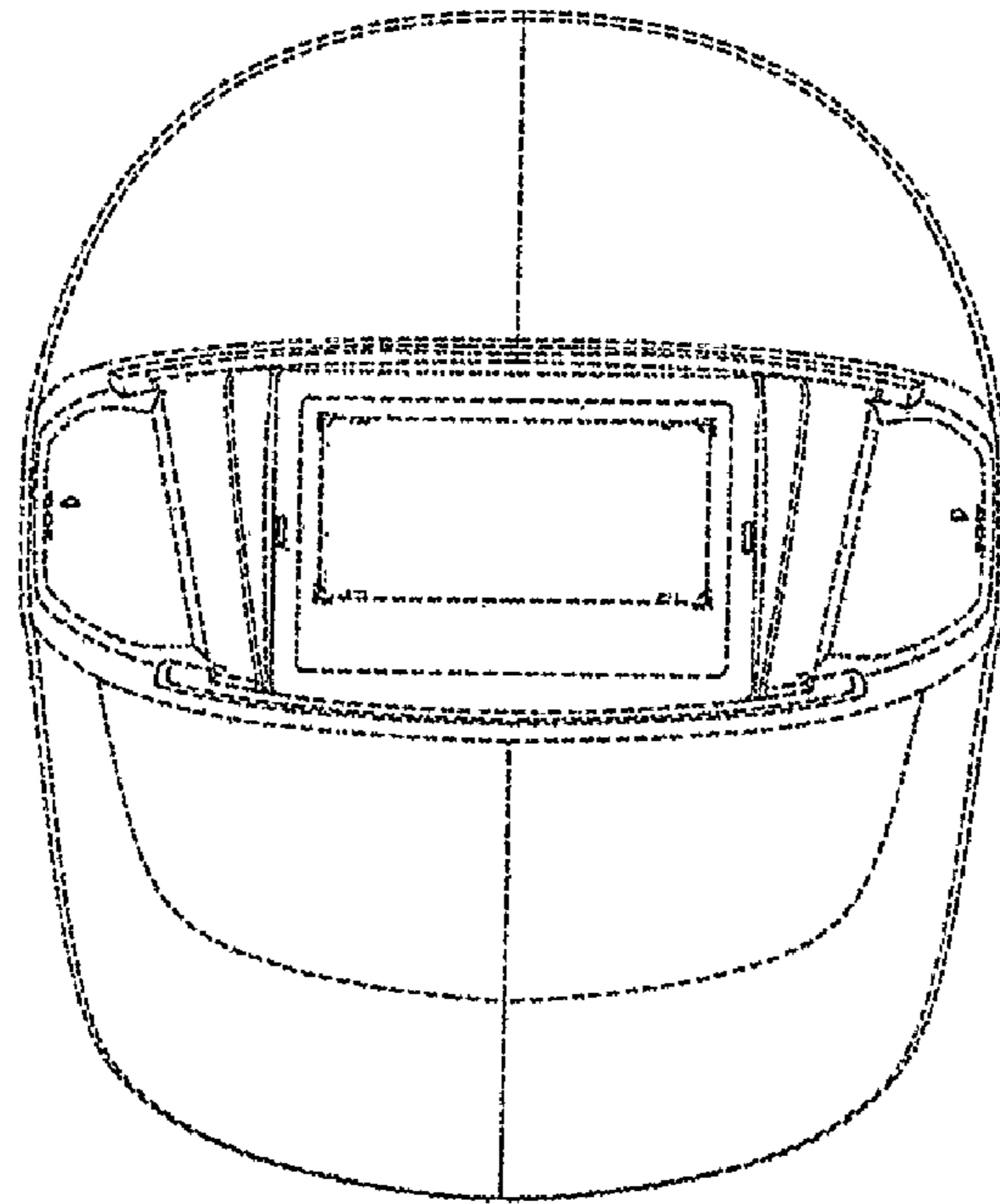


Fig. 6