



US00D526095S

(12) **United States Design Patent** (10) **Patent No.:** **US D526,095 S**  
**Manzo et al.** (45) **Date of Patent:** **\*\* Aug. 1, 2006**

- |   |  |
|---|--|
| <p>(54) <b>MOUTHGUARD</b></p> <p>(75) Inventors: <b>Joseph S. Manzo</b>, Lansdale, PA (US);<br/><b>Edward M. Bachurski</b>, Radnor, PA (US)</p> <p>(73) Assignee: <b>Brain-Pad, Inc.</b>, Coshohocken, PA (US)</p> <p>(**) Term: <b>14 Years</b></p> <p>(21) Appl. No.: <b>29/241,580</b></p> <p>(22) Filed: <b>Oct. 28, 2005</b></p> | <p>4,944,947 A 7/1990 Newman</p> <p>4,977,905 A * 12/1990 Kittelsen et al. .... 128/861</p> <p>5,092,346 A 3/1992 Hays</p> <p>5,117,816 A 6/1992 Shapiro</p> <p>5,277,202 A 1/1994 Hays</p> <p>5,636,379 A 6/1997 Williams</p> <p>D382,965 S * 8/1997 Wagner ..... D29/108</p> <p>D406,405 S * 3/1999 Yoshida ..... D29/108</p> <p>D434,501 S 11/2000 Redhage</p> <p>D452,011 S 12/2001 Redhage</p> <p>D473,976 S * 4/2003 Wilkens ..... D29/108</p> <p>D493,578 S * 7/2004 Manzo et al. .... D29/108</p> <p>D500,895 S * 1/2005 Manzo et al. .... D29/108</p> <p>D504,744 S * 5/2005 Hidalgo et al. .... D29/108</p> <p>D509,028 S * 8/2005 Farrell ..... D29/108</p> |
|---|--|

**Related U.S. Application Data**

- (62) Division of application No. 29/202,198, filed on Mar. 26, 2004.
- (51) **LOC (8) Cl.** ..... **29-02**
- (52) **U.S. Cl.** ..... **D29/108**
- (58) **Field of Classification Search** ..... D29/108,  
D29/122; D24/176, 180-18; 2/455, 9, 424;  
128/859, 848, 861, 862; 602/902; 433/6  
See application file for complete search history.

**References Cited**

**U.S. PATENT DOCUMENTS**

- |             |          |                 |         |
|-------------|----------|-----------------|---------|
| 1,674,336 A | 6/1928   | King            |         |
| 2,521,039 A | 9/1950   | Carpenter       |         |
| 2,590,118 A | 3/1952   | Oddo, Jr.       |         |
| 2,966,908 A | 1/1961   | Cathcart et al. |         |
| 3,312,218 A | * 4/1967 | Jacobs          | 128/862 |
| 3,457,916 A | * 7/1969 | Wolicki         | 128/862 |
| D215,685 S  | 10/1969  | Helmer          |         |
| D228,048 S  | * 8/1973 | Miller          | D29/108 |
| 4,765,324 A | * 8/1988 | Lake, Jr.       | 128/861 |
| 4,791,941 A | 12/1988  | Schaefer        |         |

\* cited by examiner

*Primary Examiner*—Ruth McInroy

(74) *Attorney, Agent, or Firm*—John F. Letchford; Archer & Greiner, P.C.

(57) **CLAIM**

The ornamental design for a mouthguard, as shown and described.

**DESCRIPTION**

FIG. 1 is top plan view of a mouthguard showing our new design;

FIG. 2 is bottom plan view of a mouthguard showing our new design;

FIG. 3 is front elevational view of a mouthguard showing our new design;

FIG. 4 is rear elevational view of a mouthguard showing our new design; and,

FIG. 5 is left side elevational view of a mouthguard showing our new design, the right side being a mirror image.

**1 Claim, 3 Drawing Sheets**

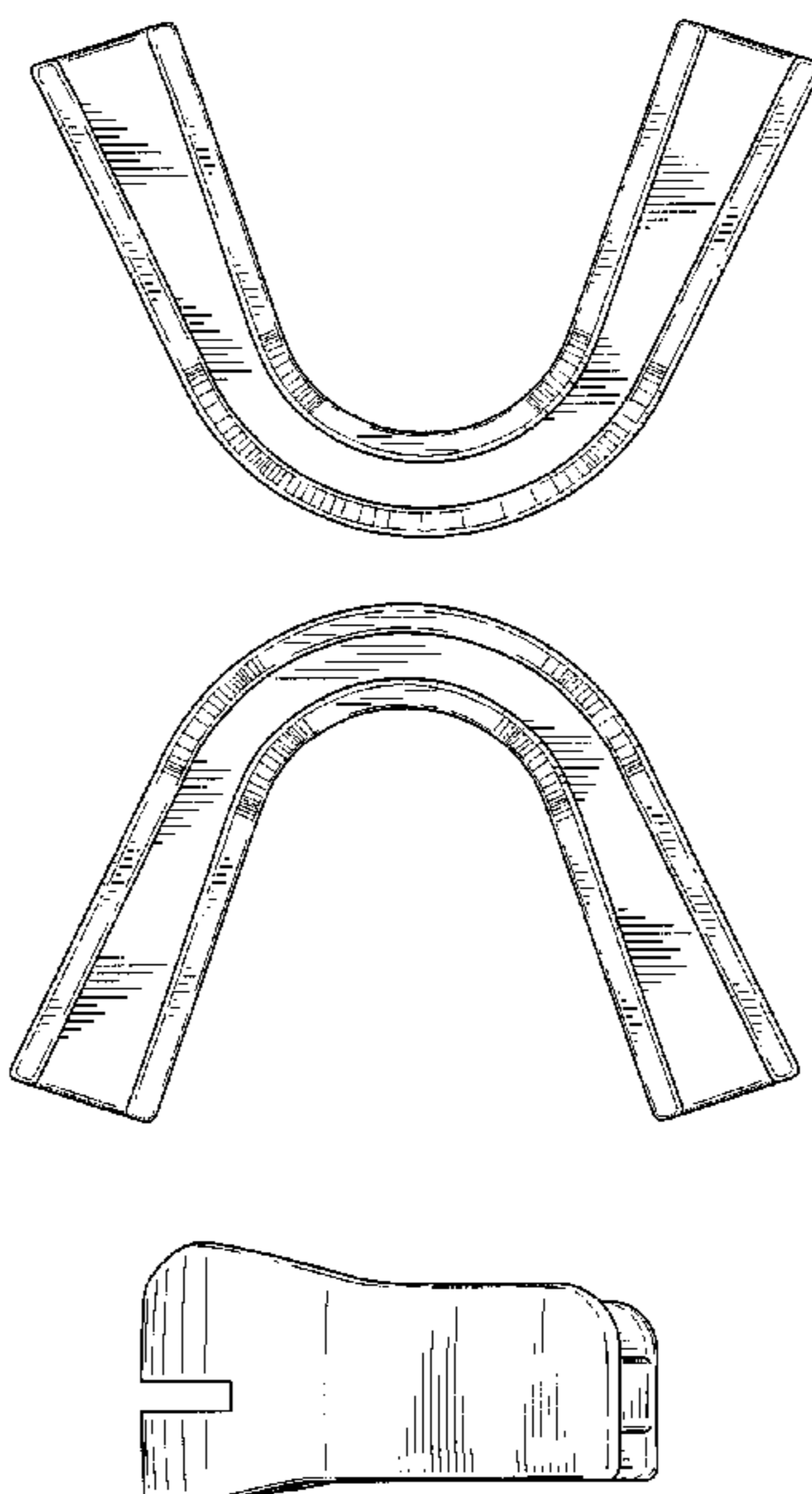


FIG. 1

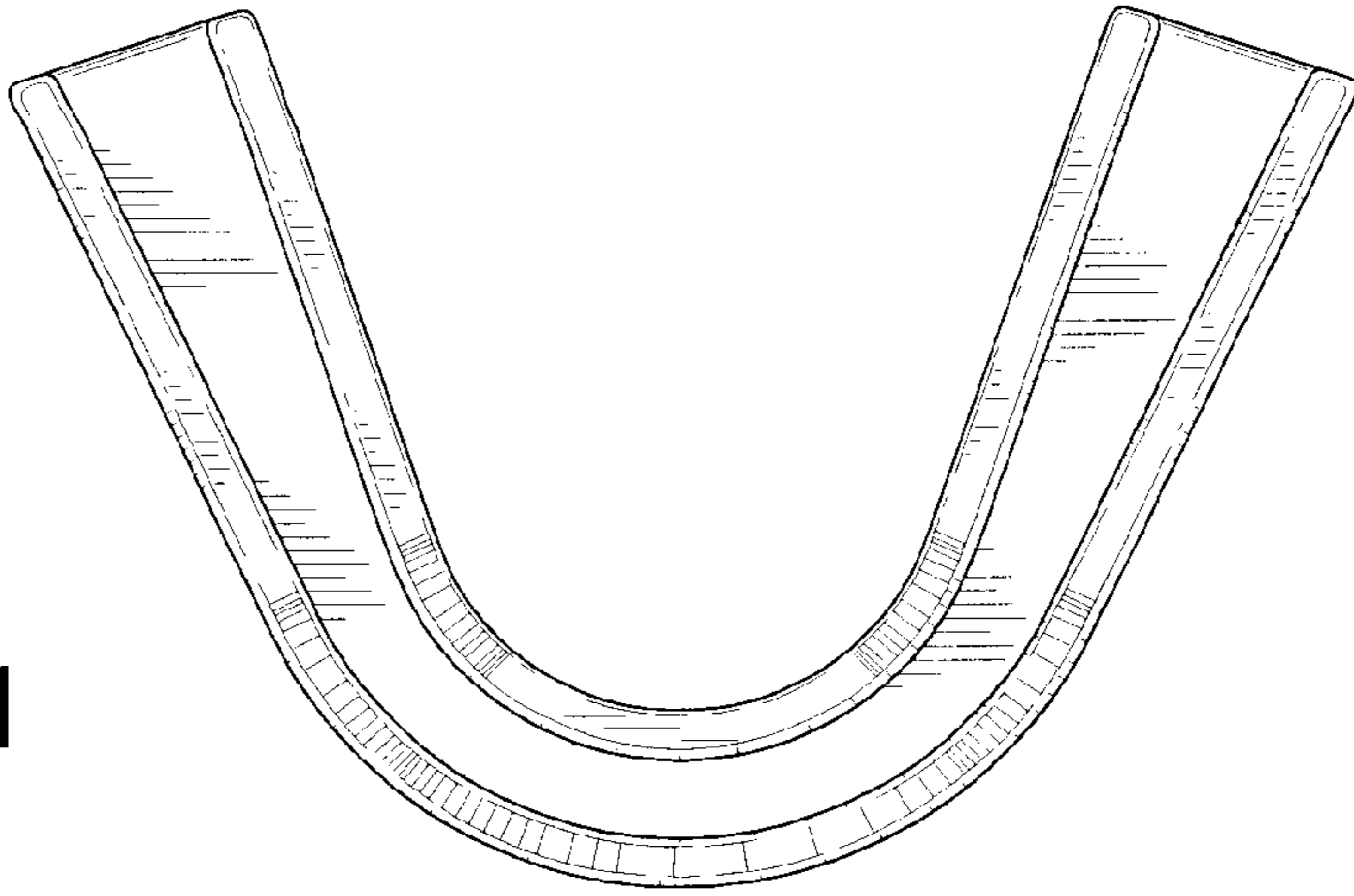
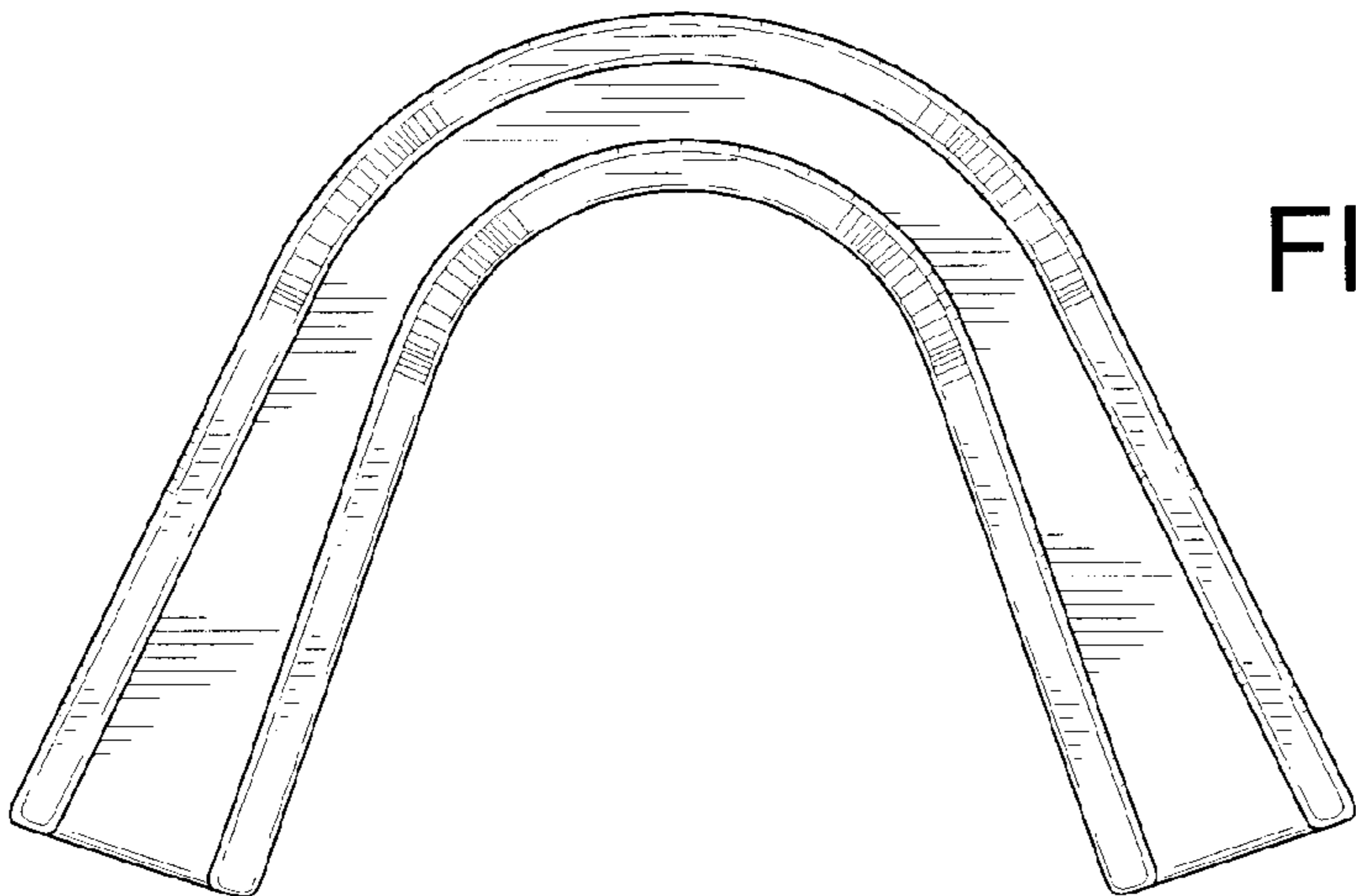


FIG. 2



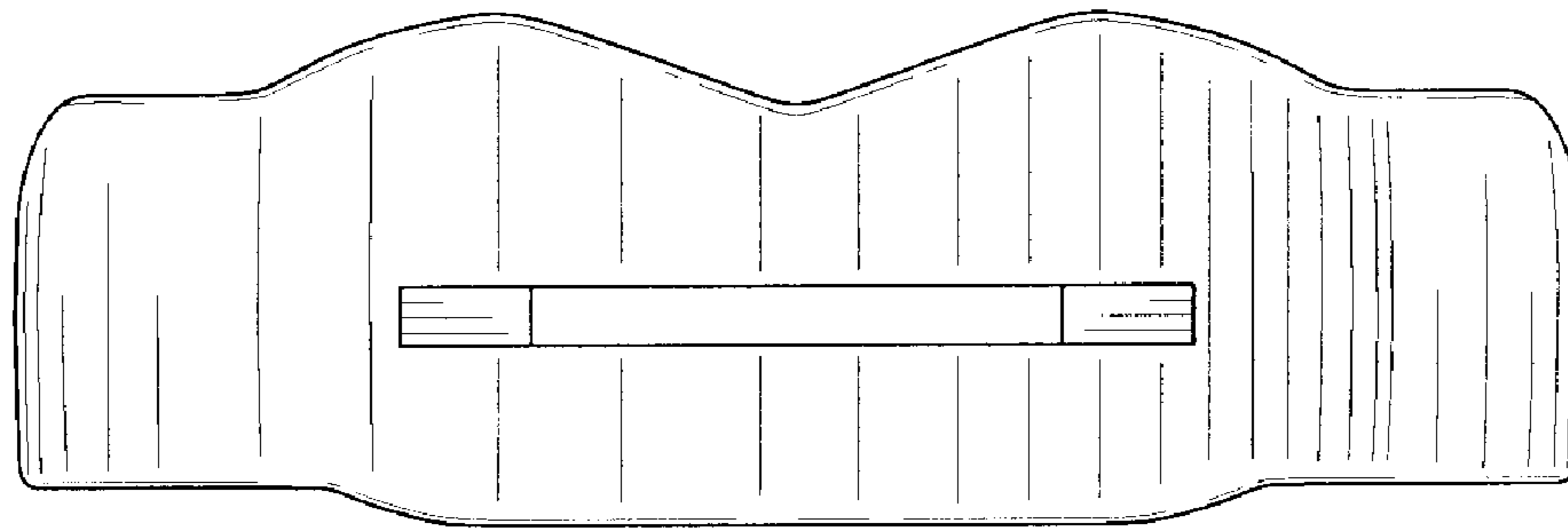


FIG. 3

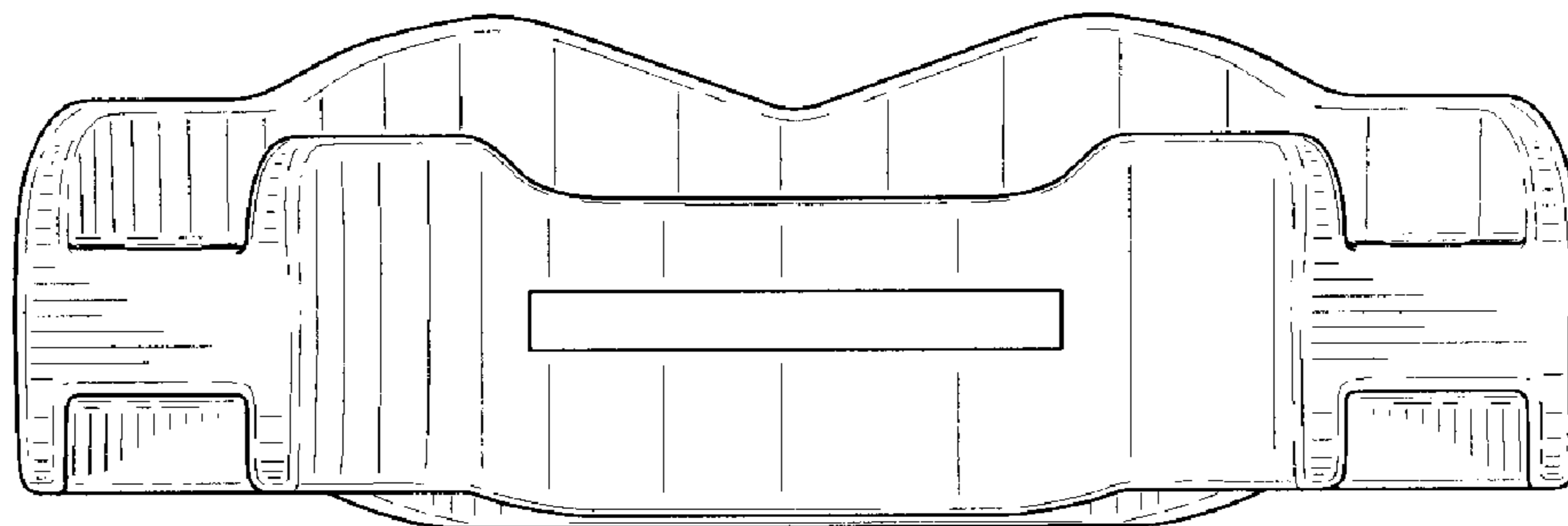


FIG. 4

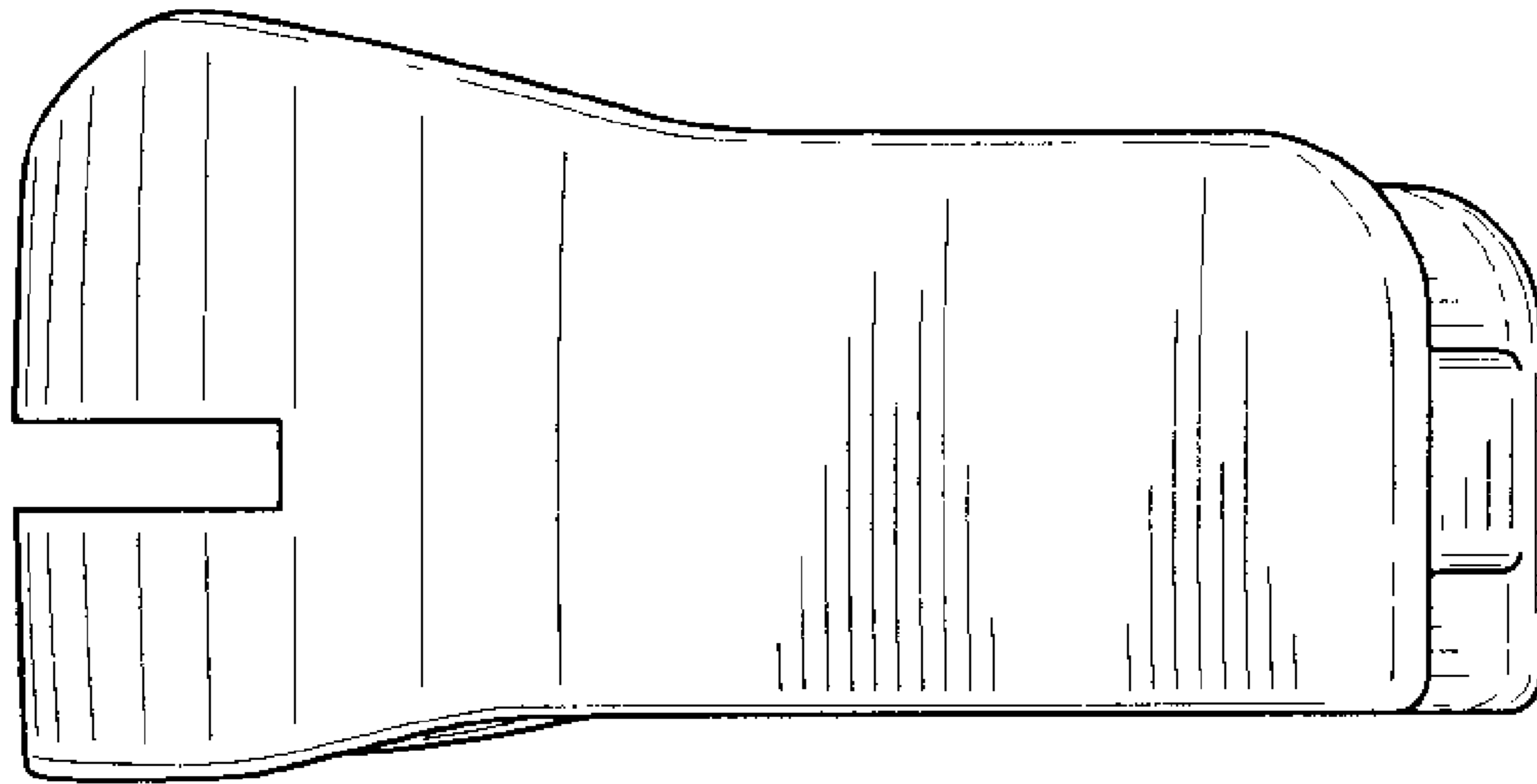


FIG. 5