

US00D526086S

(12) **United States Design Patent**  
**Mehta**

(10) **Patent No.:** **US D526,086 S**

(45) **Date of Patent:** **\*\* Aug. 1, 2006**

(54) **SHELL FOR TOBACCO PRODUCTS**

(76) Inventor: **Gor Mehta**, 15552 Pasadena Ave.,  
Tustin, CA (US) 92780

(\*\*) Term: **14 Years**

(21) Appl. No.: **29/208,410**

(22) Filed: **Jun. 29, 2004**

(51) **LOC (8) Cl.** ..... **27-01**

(52) **U.S. Cl.** ..... **D27/101**

(58) **Field of Classification Search** ..... D27/100,  
D27/101; 206/242; 131/58, 70, 330, 347,  
131/365

See application file for complete search history.

(56) **References Cited**

**U.S. PATENT DOCUMENTS**

3,318,315	A	*	5/1967	Orter	.....	131/330
4,832,057	A	*	5/1989	Bale et al.	.....	131/78
6,357,448	B1	*	3/2002	Sinclair, Jr.	.....	131/365
6,578,584	B1	*	6/2003	Beven et al.	.....	131/365
6,742,525	B1	*	6/2004	Sinclair, Jr.	.....	131/365
2005/0072439	A1	*	4/2005	Darwish	.....	131/365

2005/0241660 A1 \* 11/2005 Ashcraft et al. .... 131/365

\* cited by examiner

*Primary Examiner*—Jennifer Rivard

(57) **CLAIM**

The ornamental design for a shell for tobacco products, as shown.

**DESCRIPTION**

FIG. 1 is a perspective view of the shell for tobacco products of the invention;

FIG. 2 is a front elevation view of the shell for tobacco products of the invention, the rear elevation view being a mirror image thereof;

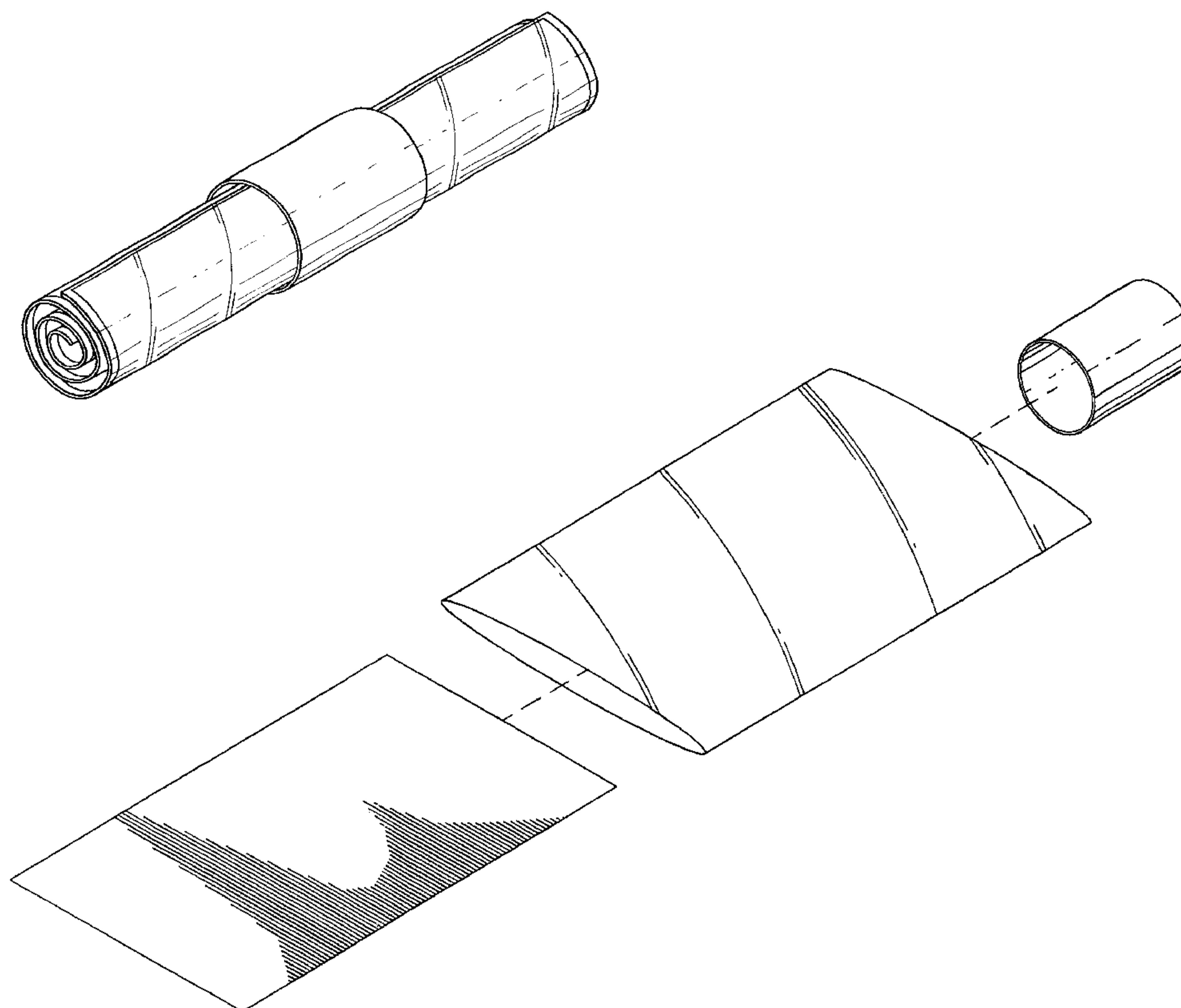
FIG. 3 is a right side elevation view of the shell for tobacco products of the invention;

FIG. 4 is left side elevation view of the shell for tobacco products of the invention;

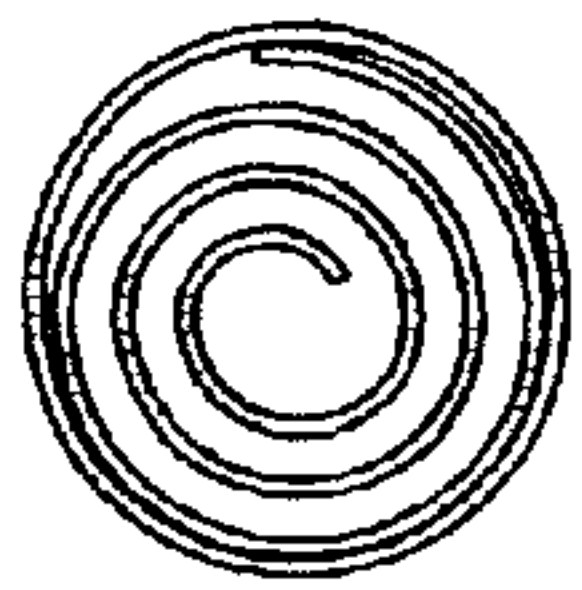
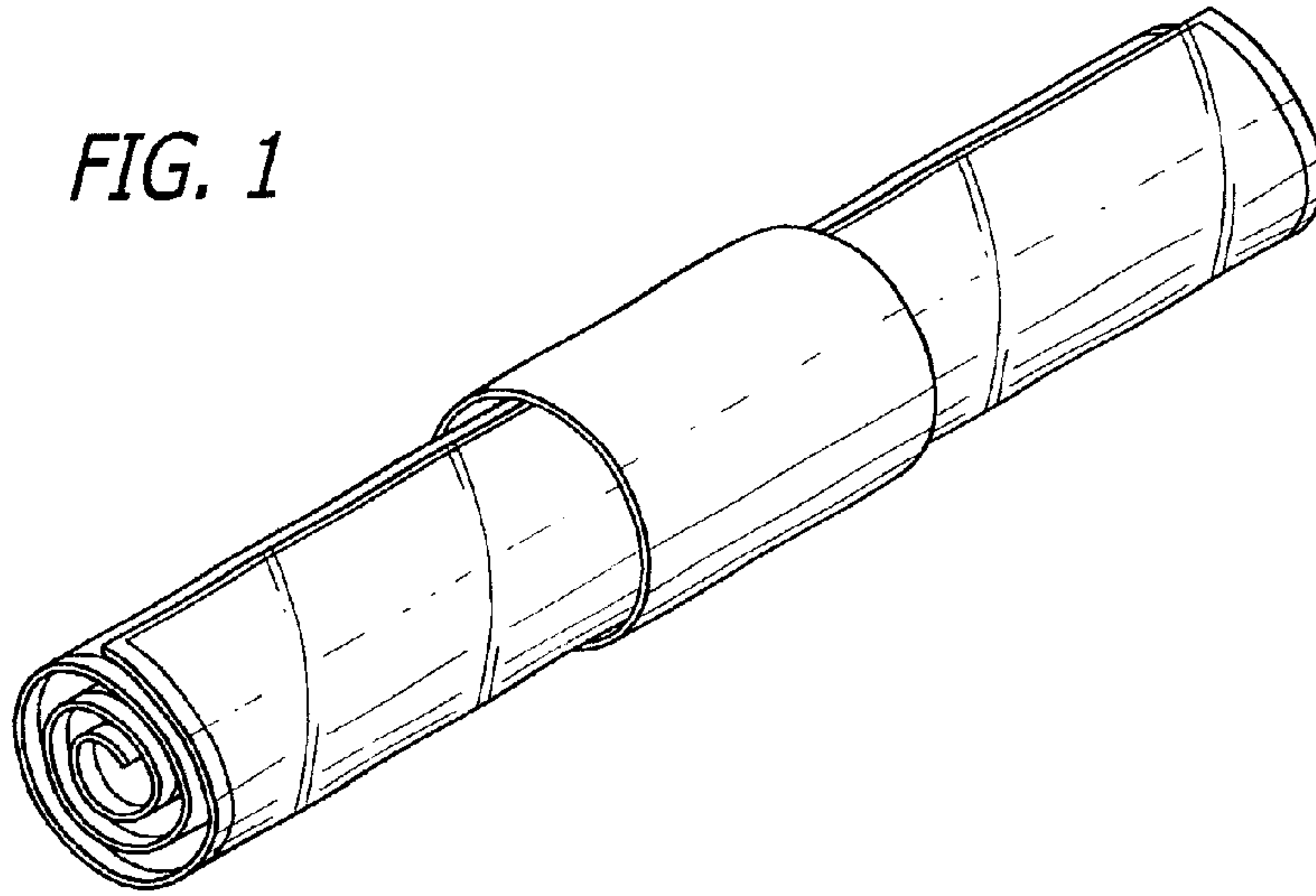
FIG. 5 is a top plan view of the shell for tobacco products of the invention, the bottom plan view being a mirror image of the right side elevation view thereof; and,

FIG. 6 is an exploded perspective view for illustrating the component elements of the shell for tobacco products of the invention.

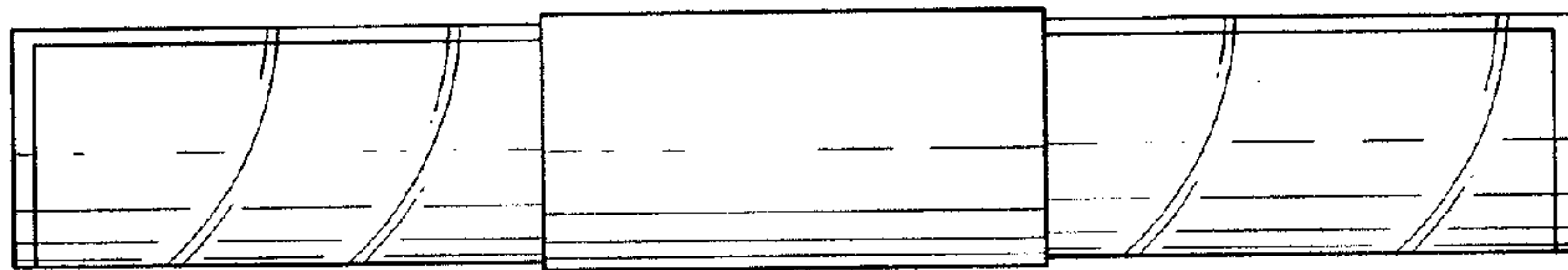
**1 Claim, 2 Drawing Sheets**



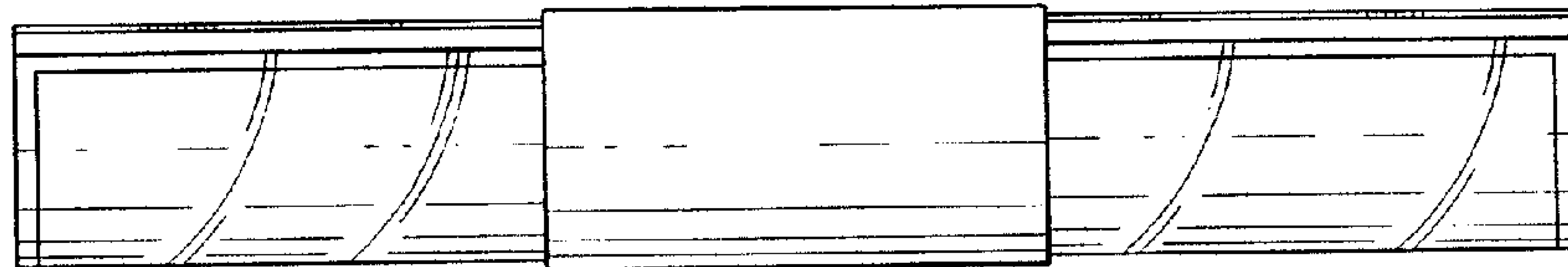
*FIG. 1*



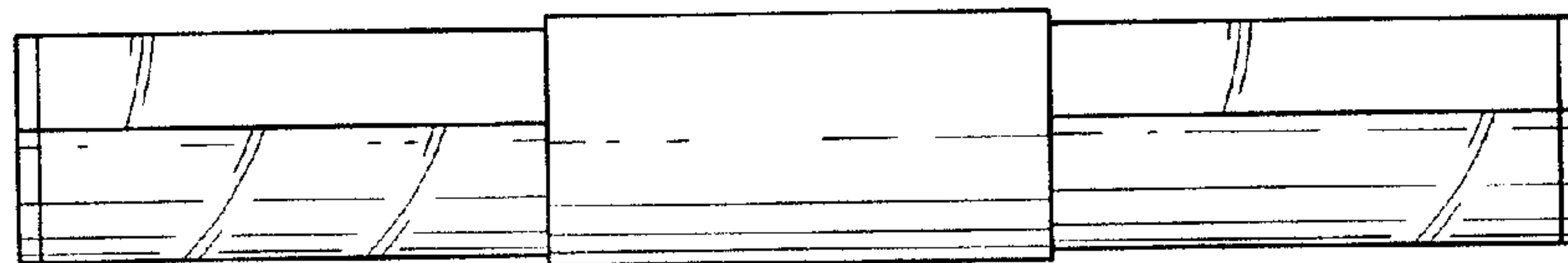
*FIG. 2*



*FIG. 3*



*FIG. 4*



*FIG. 5*

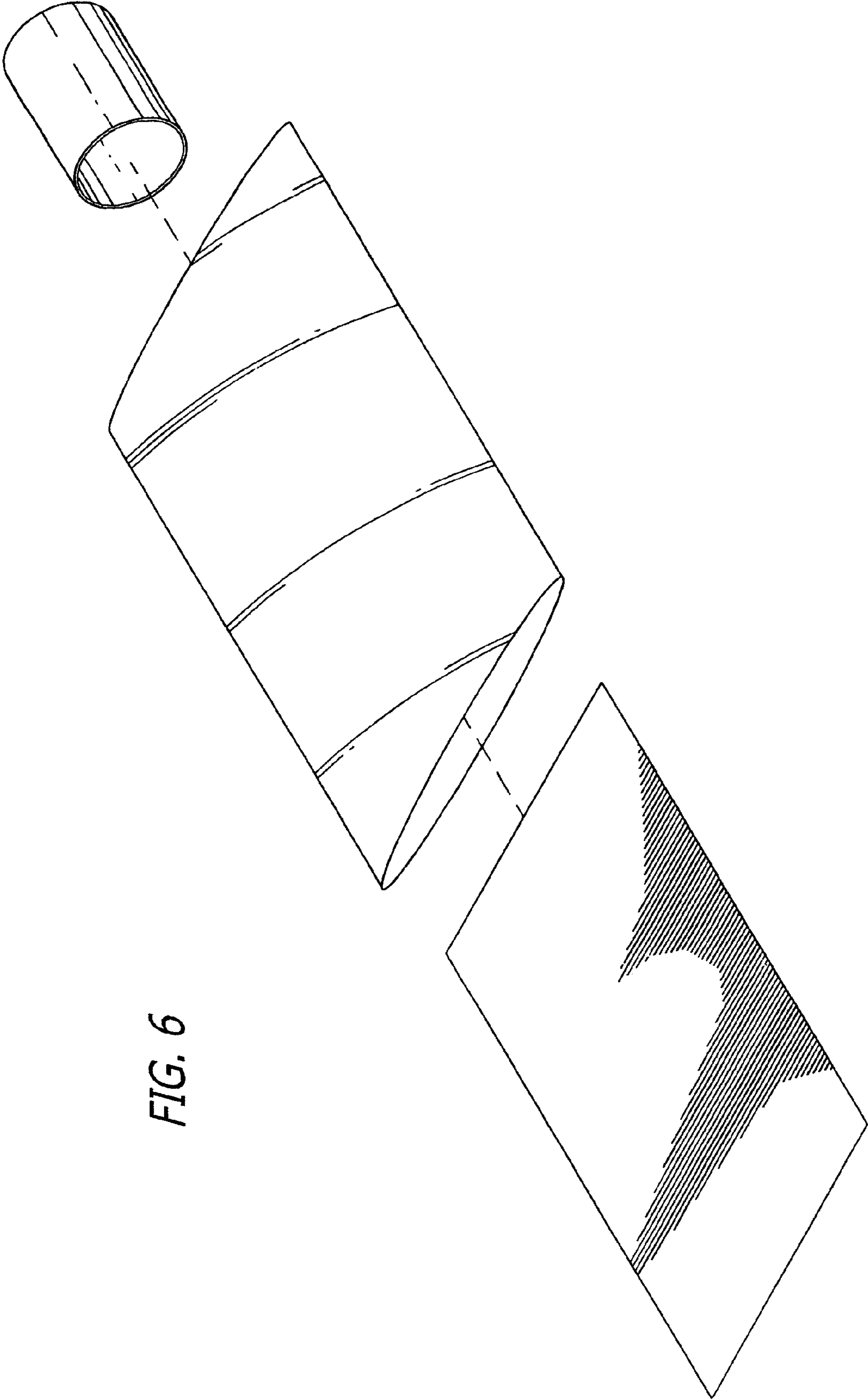


FIG. 6