



US00D526079S

(12) **United States Design Patent**  
**Heun**

(10) **Patent No.:** **US D526,079 S**

(45) **Date of Patent:** **\*\* Aug. 1, 2006**

(54) **LIGHTING DEVICE FOR USE WITH  
POWER TOOL**

(75) **Inventor:** **Ping Hay Heun, Hong Kong (CN)**

(73) **Assignee:** **Choon Nang Electrical Appliance  
Mfy., Ltd., Hong Kong (CN)**

(\*\*) **Term:** **14 Years**

(21) **Appl. No.:** **29/233,705**

(22) **Filed:** **Jul. 8, 2005**

(30) **Foreign Application Priority Data**

May 11, 2005 (HK) ..... 0501093

(51) **LOC (8) Cl.** ..... **26-05**

(52) **U.S. Cl.** ..... **D26/60; D26/63**

(58) **Field of Classification Search** ..... D26/28,  
D26/37, 39, 44, 57, 73, 60-65; 362/98, 99,  
362/197, 198, 157, 171-174, 473-476, 523,  
362/545, 183-208, 102, 119, 120

See application file for complete search history.

(56) **References Cited**

**U.S. PATENT DOCUMENTS**

- 918,181 A \* 4/1909 Meadows ..... D26/39
- 1,369,378 A \* 2/1921 Berberian ..... 362/119
- D353,012 S \* 11/1994 Mihavetz ..... D26/39
- 5,448,459 A \* 9/1995 Rogers ..... D26/60
- 5,658,065 A \* 8/1997 Jamieson ..... 362/191

- 5,797,670 A \* 8/1998 Snoke et al. .... 362/119
- D496,483 S \* 9/2004 Christianson ..... D26/60
- 6,843,579 B1 \* 1/2005 Chen ..... 362/119
- 6,926,242 B1 \* 8/2005 Hall ..... 248/230.4
- 6,951,409 B1 \* 10/2005 Hsien ..... 362/191
- 2002/0105797 A1 \* 8/2002 Navid et al. .... 362/120
- 2002/0159253 A1 \* 10/2002 Dalebout et al. .... 362/396
- 2003/0058637 A1 \* 3/2003 Hsien ..... 362/119

\* cited by examiner

*Primary Examiner*—Clare E Heflin

(74) *Attorney, Agent, or Firm*—Alix, Yale & Ristas, LLP

(57) **CLAIM**

The ornamental design for a lighting device for use with power tool, as shown and described.

**DESCRIPTION**

FIG. 1 is a front end, left side and top perspective view of a lighting device for use with power tool showing my new design;

FIG. 2 is a rear end, left side and top perspective view thereof;

FIG. 3 is a front end elevational view thereof;

FIG. 4 is a rear end elevational view thereof;

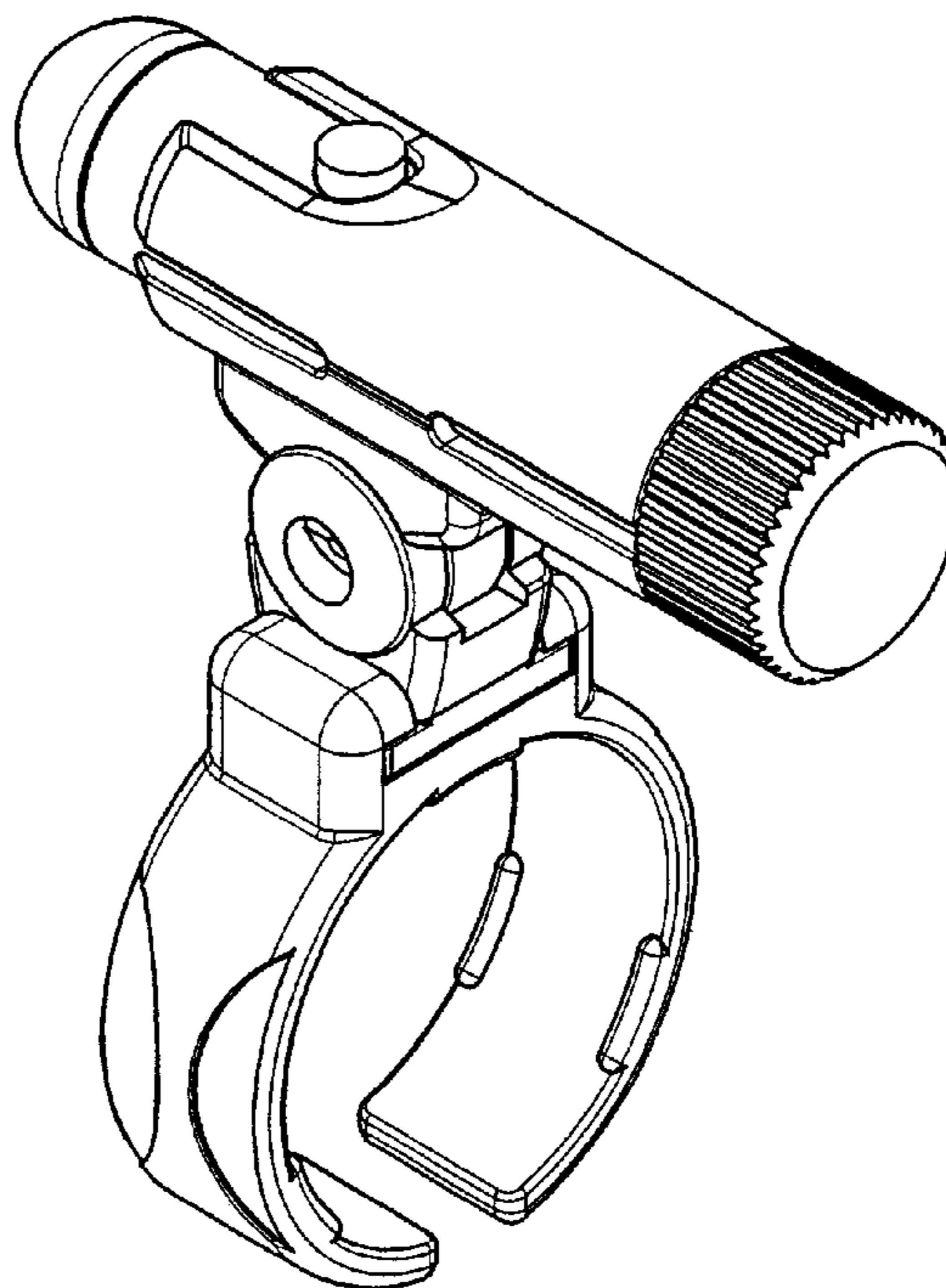
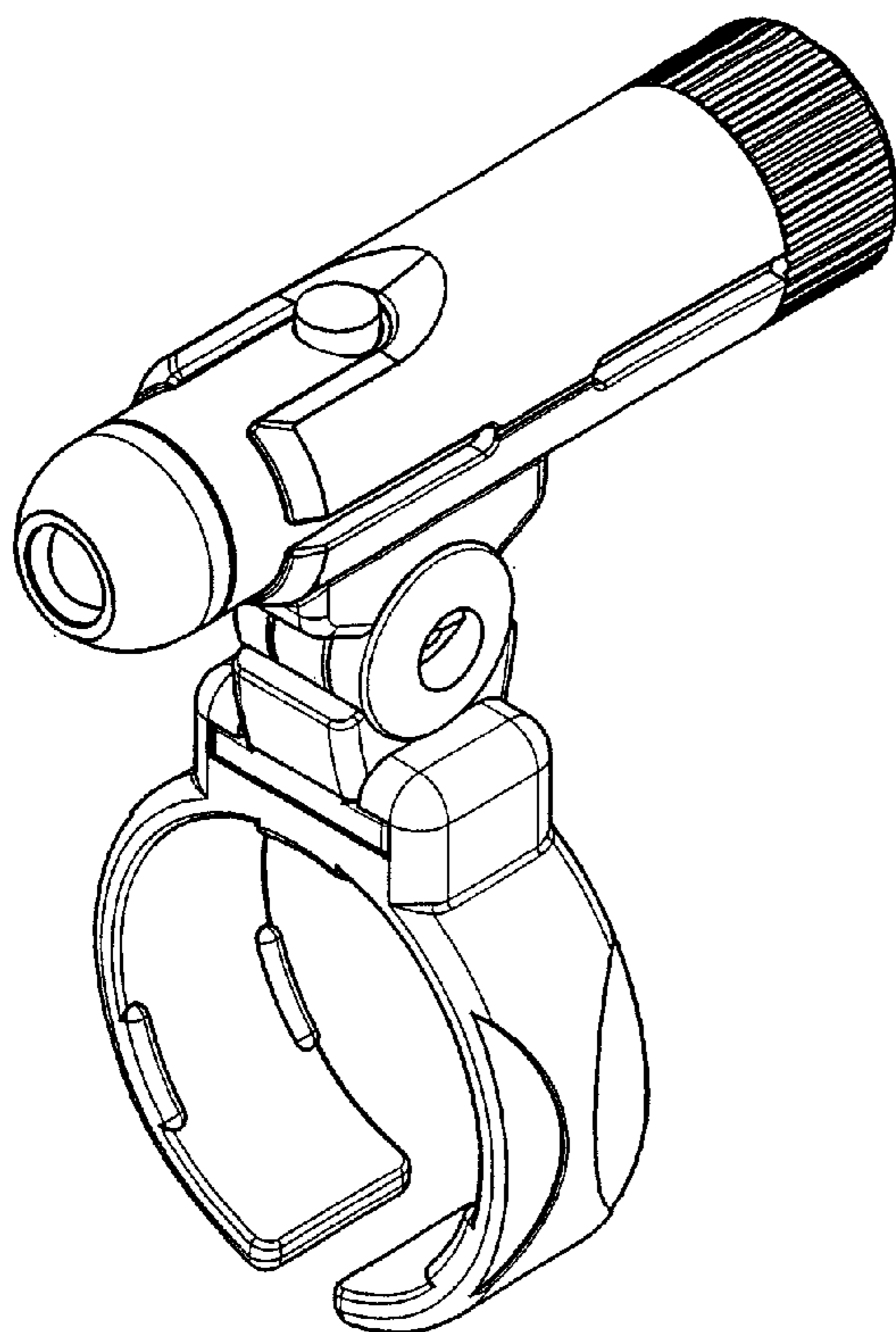
FIG. 5 is a left side elevational view thereof;

FIG. 6 is a right side elevational view thereof;

FIG. 7 is a top plan view thereof; and,

FIG. 8 is a bottom plan view thereof.

**1 Claim, 8 Drawing Sheets**



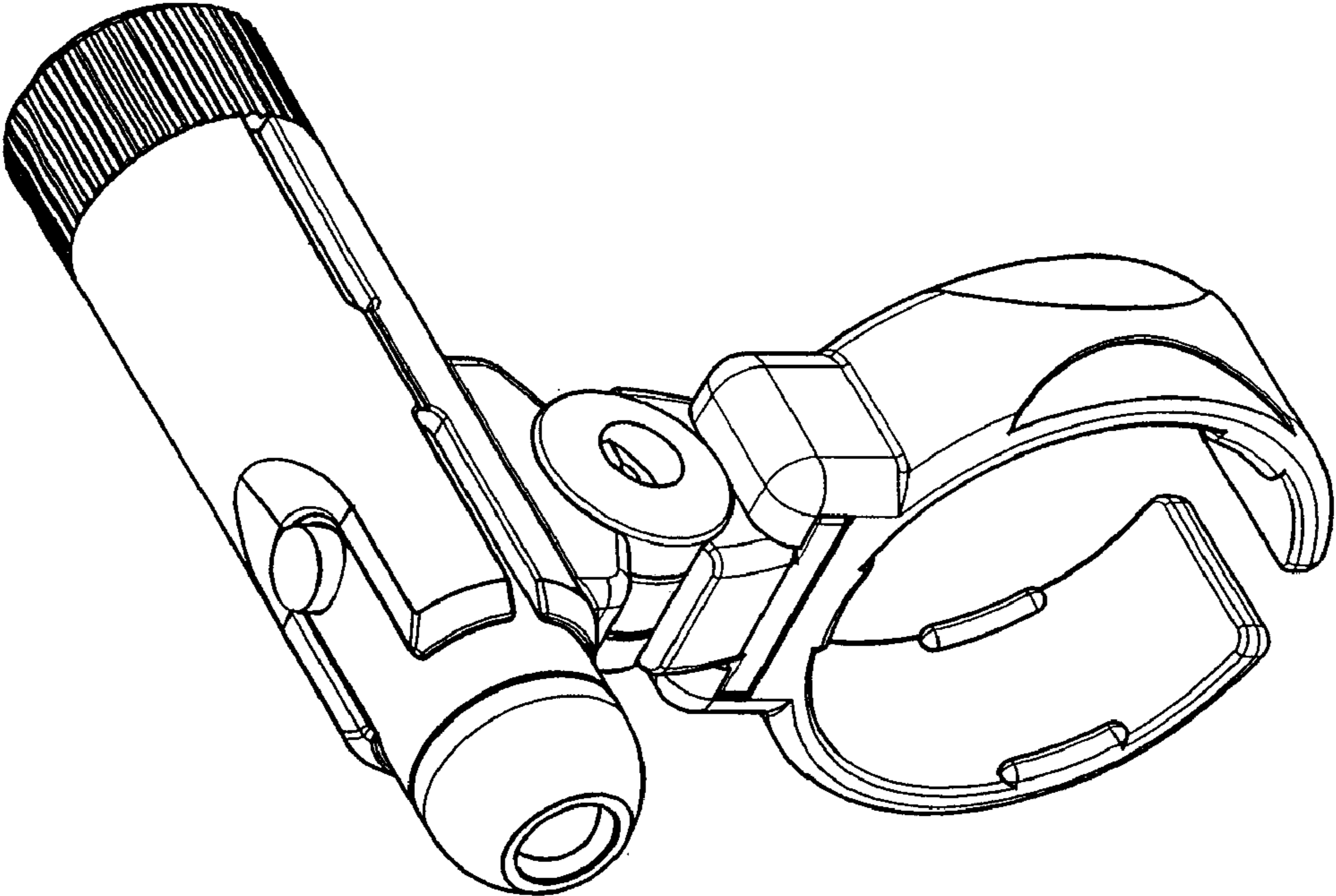


FIG. 1

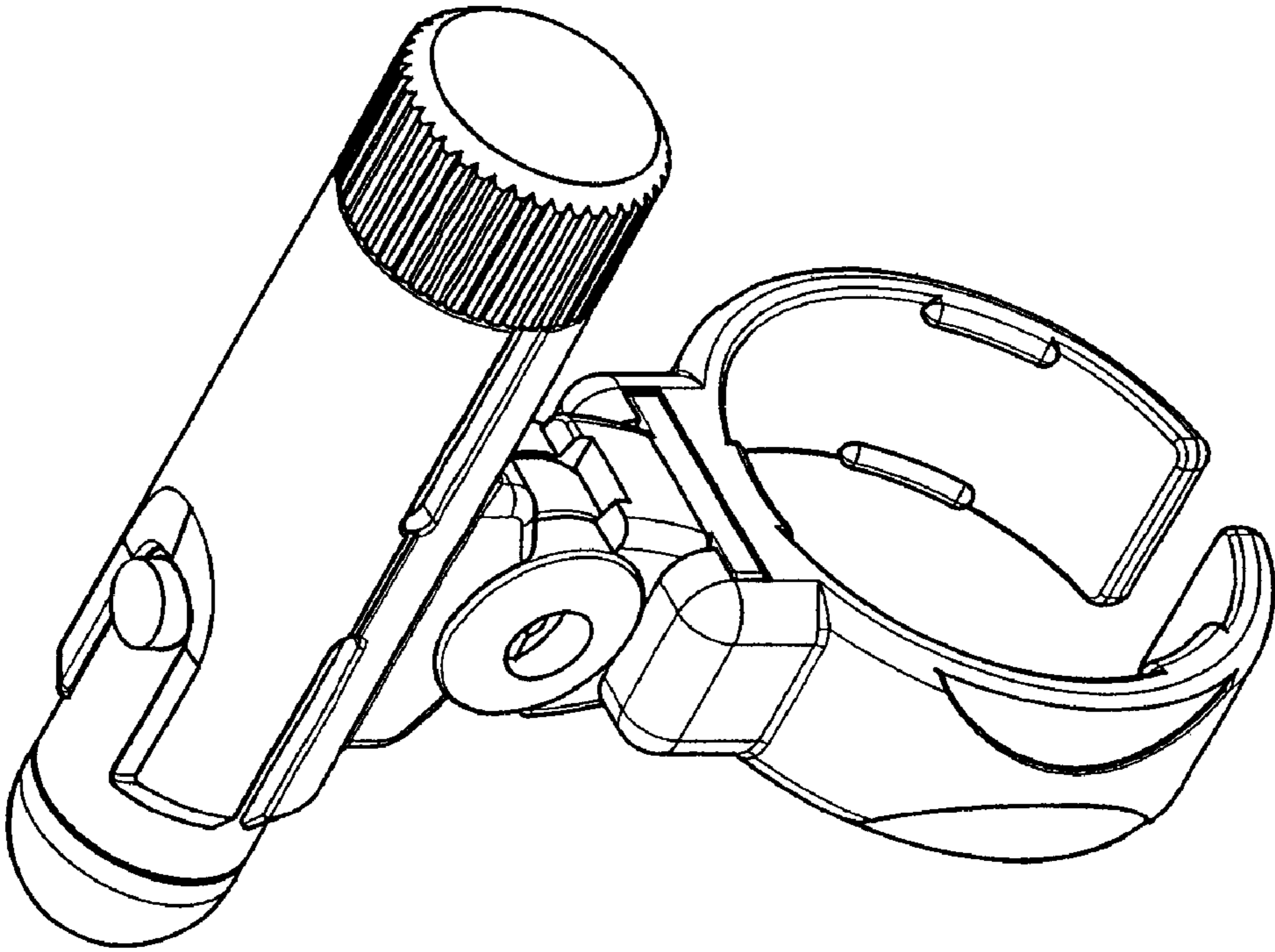


FIG. 2

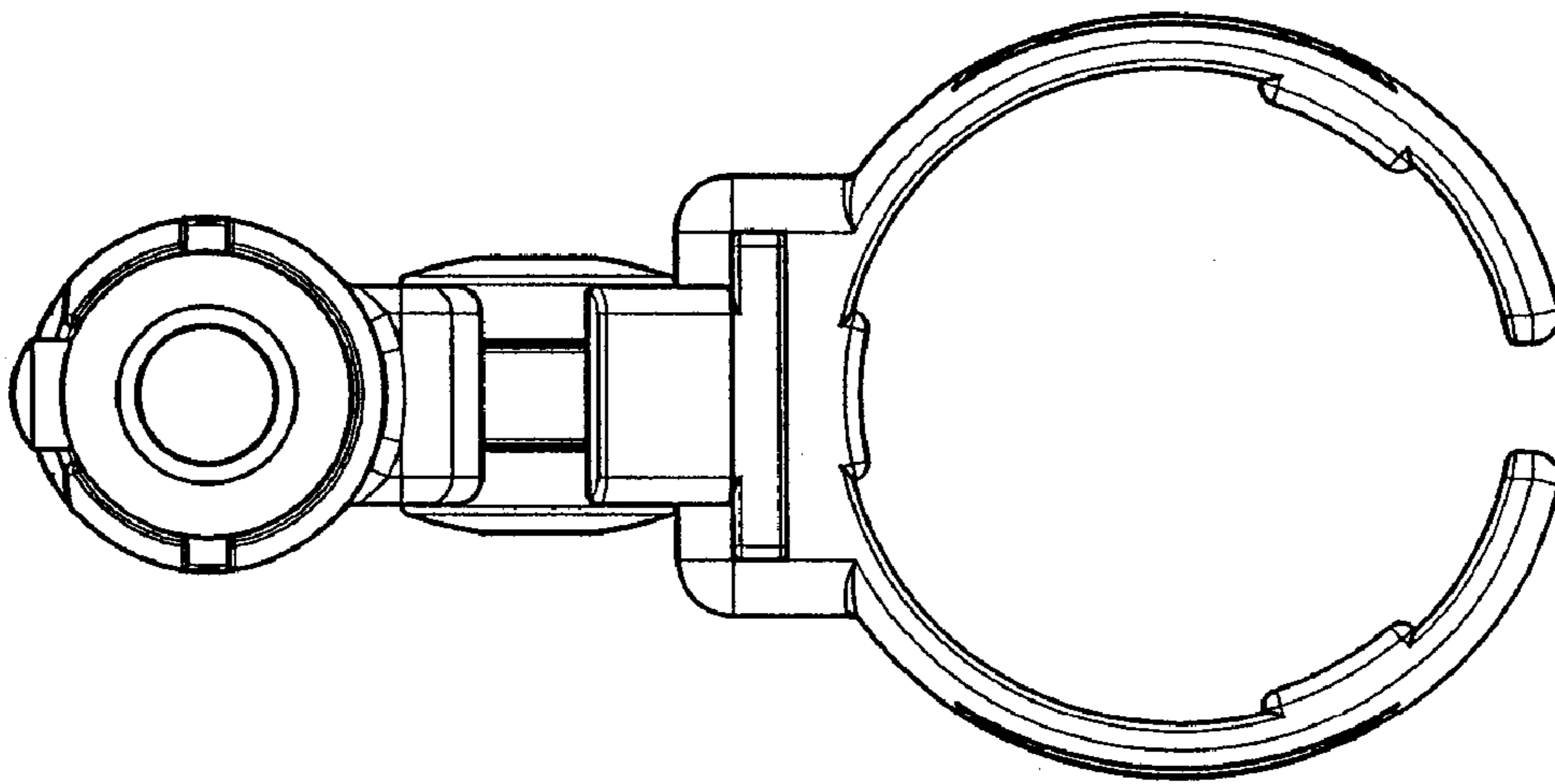


FIG. 3

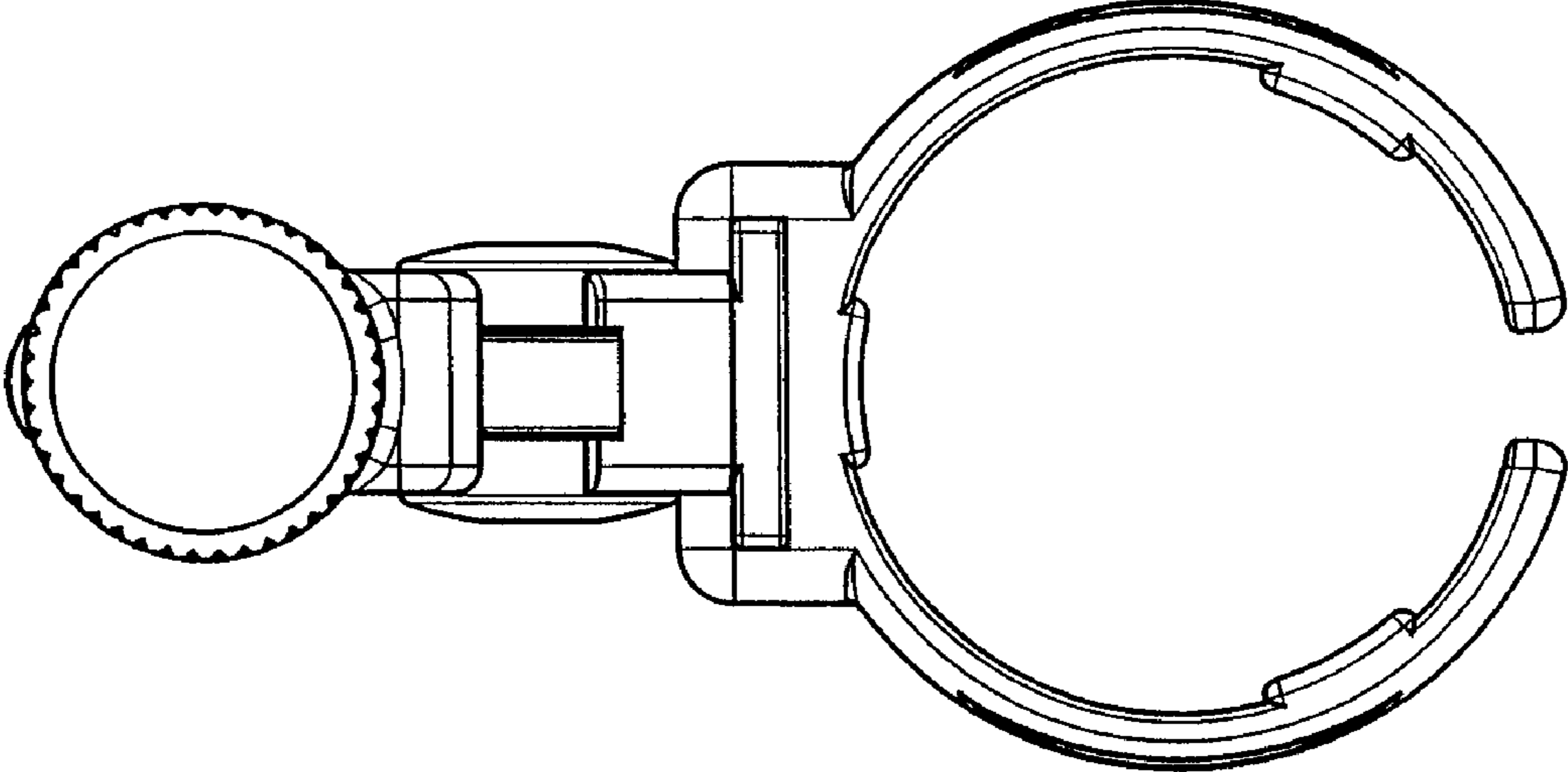


FIG. 4

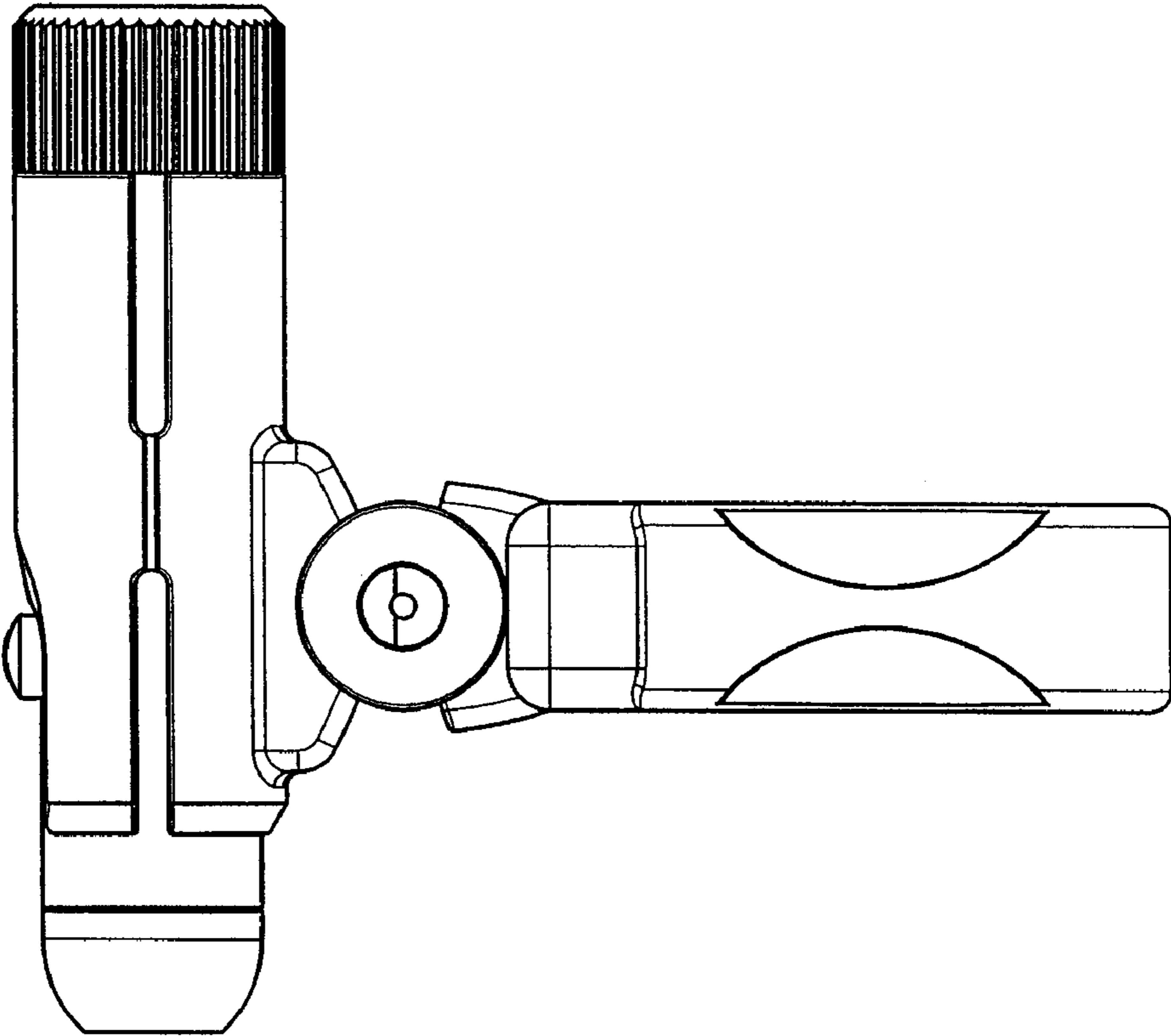


FIG. 5

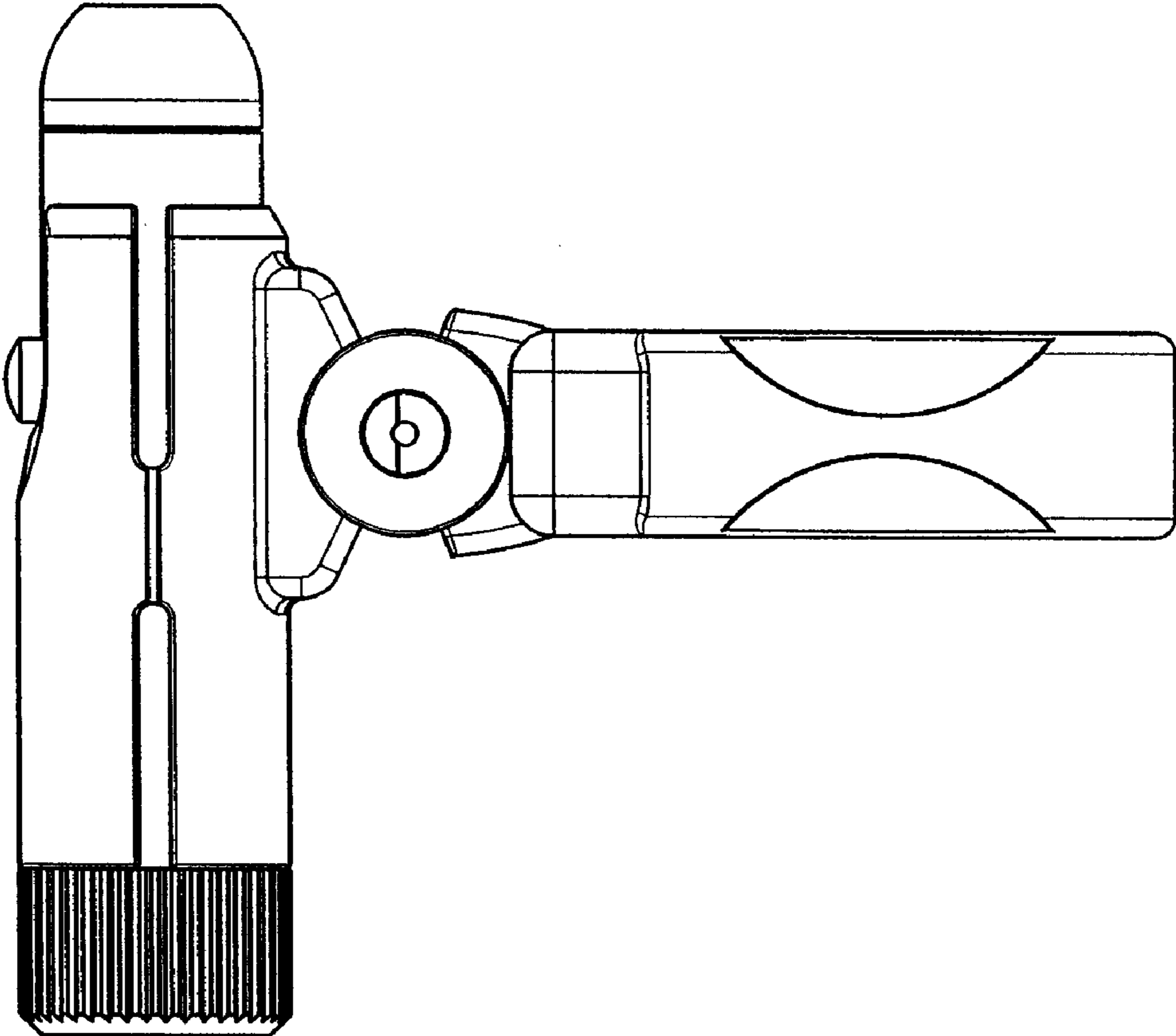
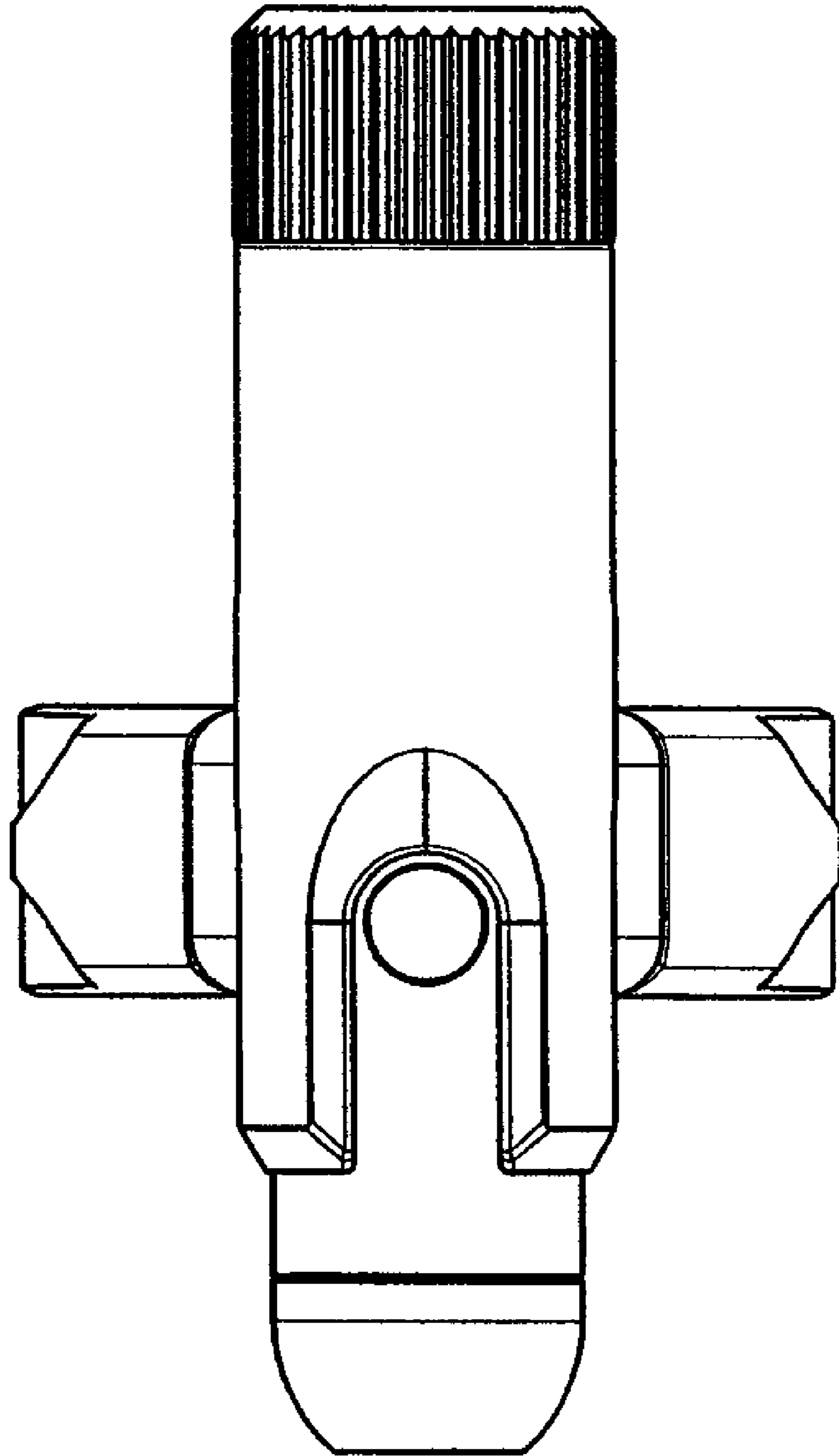


FIG. 6



**FIG. 7**



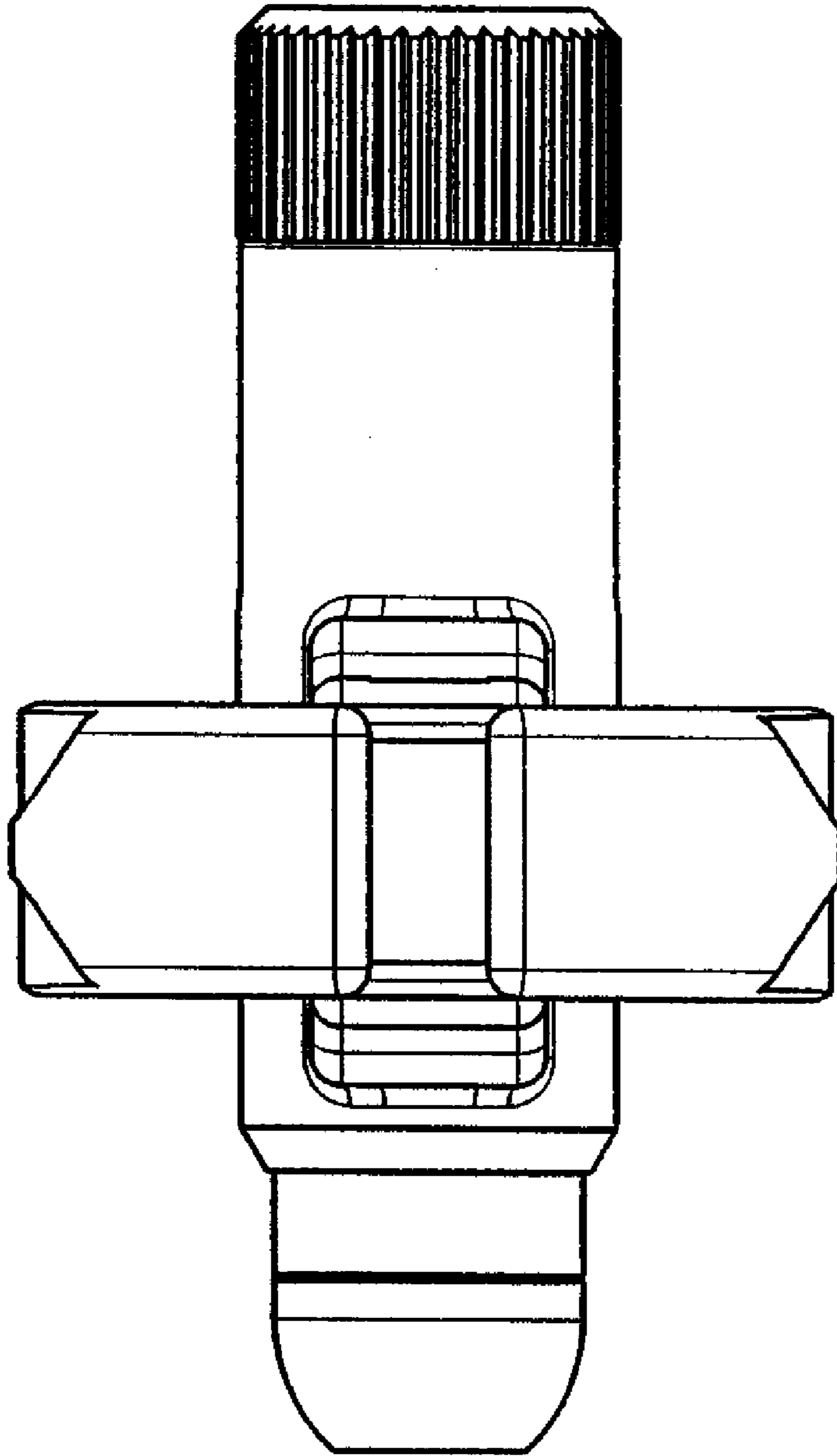


FIG. 8