



US00D526077S

(12) **United States Design Patent**
Leen

(10) **Patent No.:** **US D526,077 S**

(45) **Date of Patent:** **** Aug. 1, 2006**

(54) **WORK LAMP**

(76) **Inventor:** **Monte A. Leen**, 11730 NE. 12th St.,
Bellevue, WA (US) 98005

(**) **Term:** **14 Years**

(21) **Appl. No.:** **29/235,667**

(22) **Filed:** **Aug. 3, 2005**

(51) **LOC (8) Cl.** **26-02**

(52) **U.S. Cl.** **D26/42**

(58) **Field of Classification Search** D26/37-50;
362/157, 158, 171-174, 183-208
See application file for complete search history.

(56) **References Cited**

U.S. PATENT DOCUMENTS

D367,123 S	*	2/1996	Blye	D26/42
D418,238 S	*	12/1999	Offiler	D26/42
D501,688 S	*	2/2005	Kovacik et al.	D26/42
D505,217 S	*	5/2005	Bayat et al.	D26/42

OTHER PUBLICATIONS

Bayco Rough Duty Fluorescent/Spot Work Light—Found
on www.hechinger.com.

* cited by examiner

Primary Examiner—Marcus A. Jackson

(74) *Attorney, Agent, or Firm*—Dean A. Craine

(57) **CLAIM**

The ornamental design for a work lamp, as shown and
described.

DESCRIPTION

FIG. 1 is a perspective view of the work lamp, with the cord
broken away at the end to indicate indeterminate length.

FIG. 2 is a left side elevational view of the invention.

FIG. 3 is a right side elevational view of the invention.

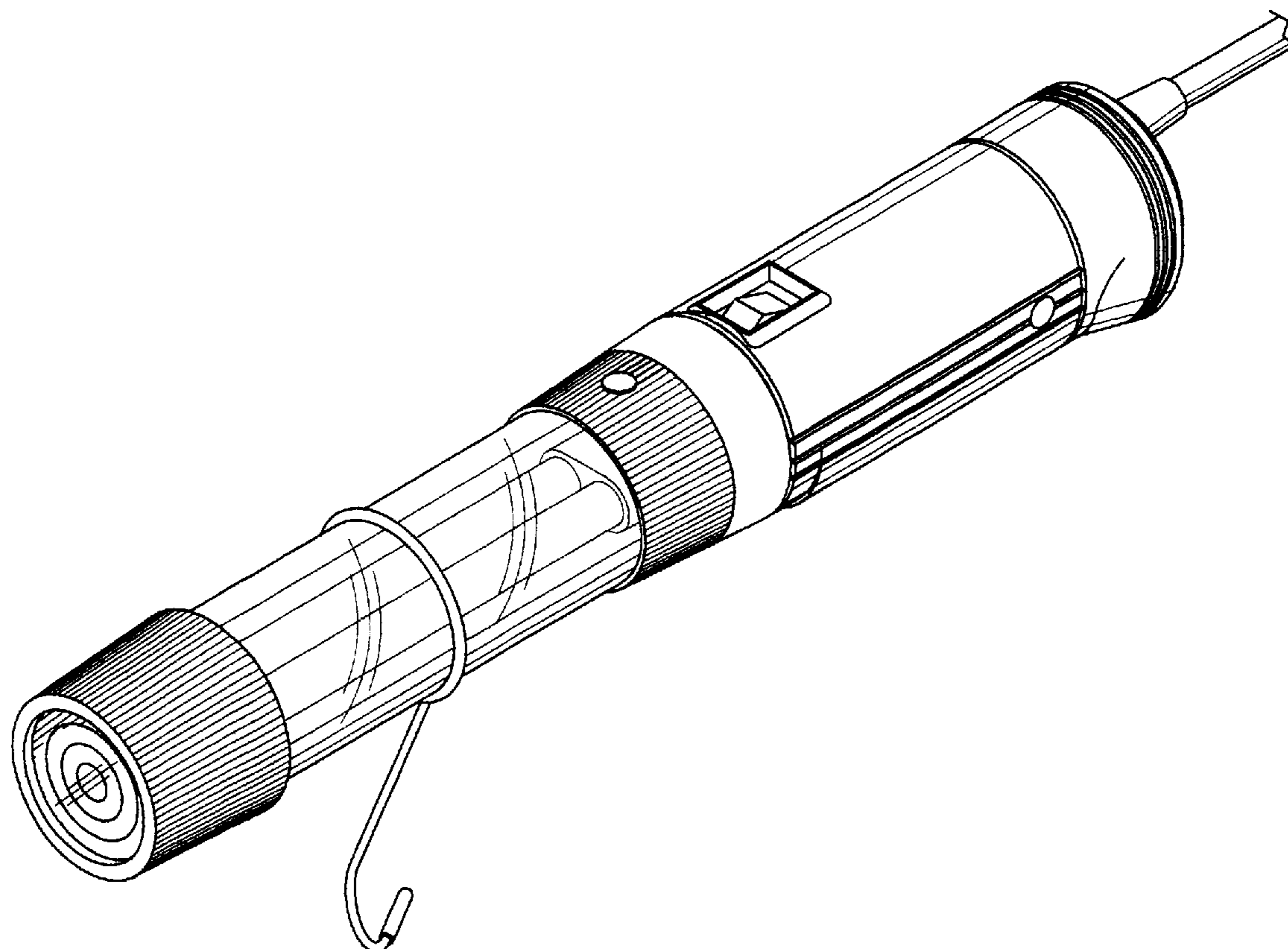
FIG. 4 is a top plan view of the invention.

FIG. 5 is a bottom plan view of the invention.

FIG. 6 is a front plan view of the invention; and,

FIG. 7 is a rear plan view of the invention.

1 Claim, 3 Drawing Sheets



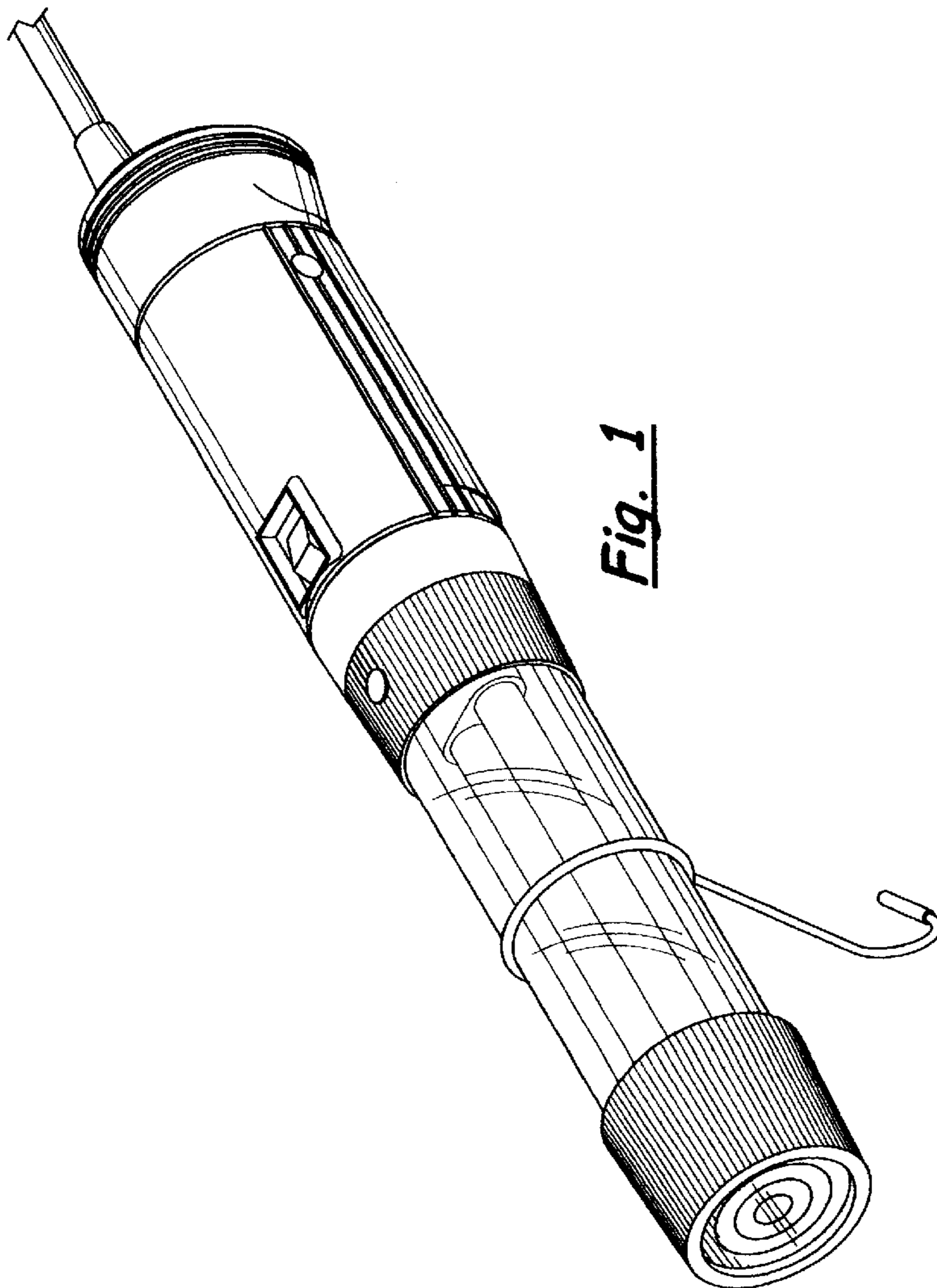


Fig. 1

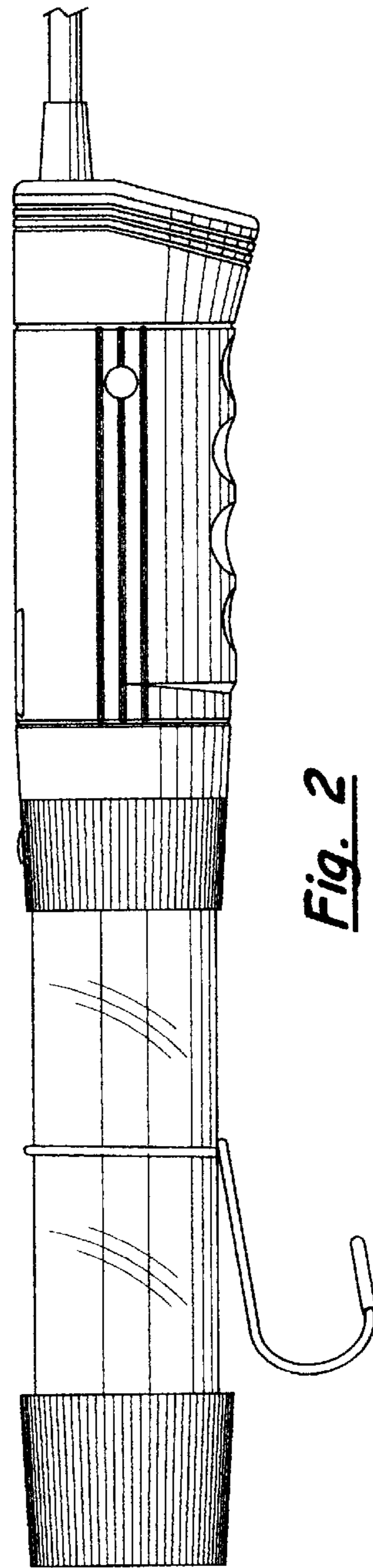


Fig. 2

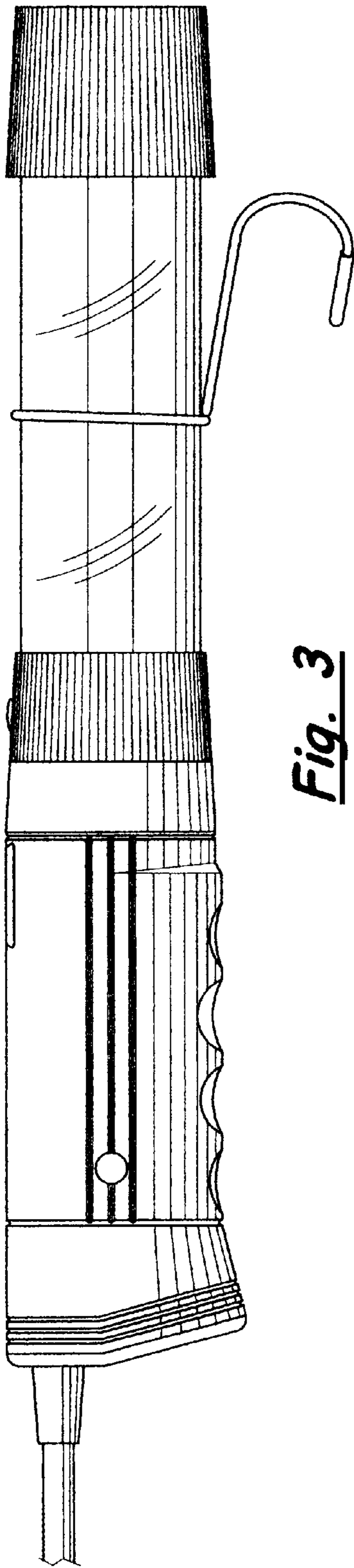


Fig. 3

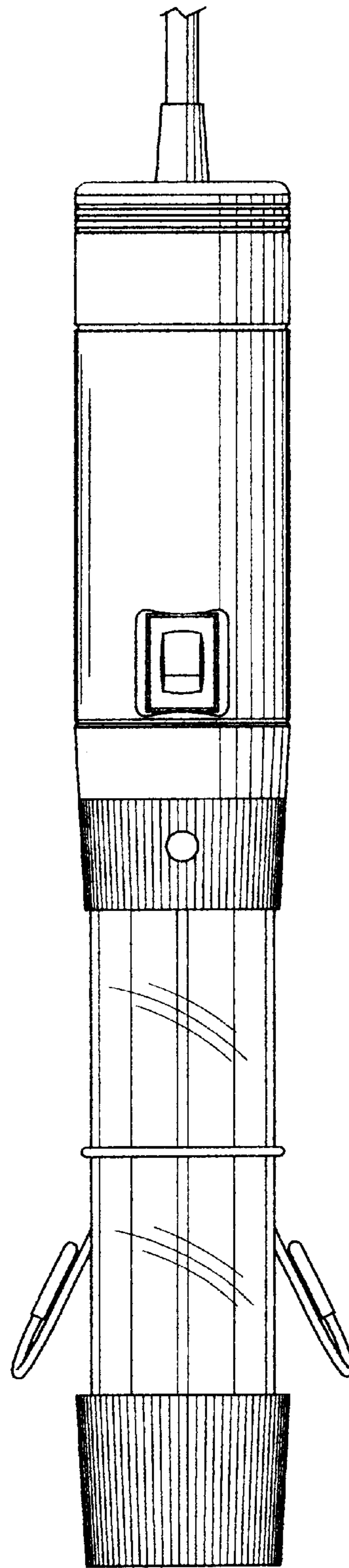


Fig. 4

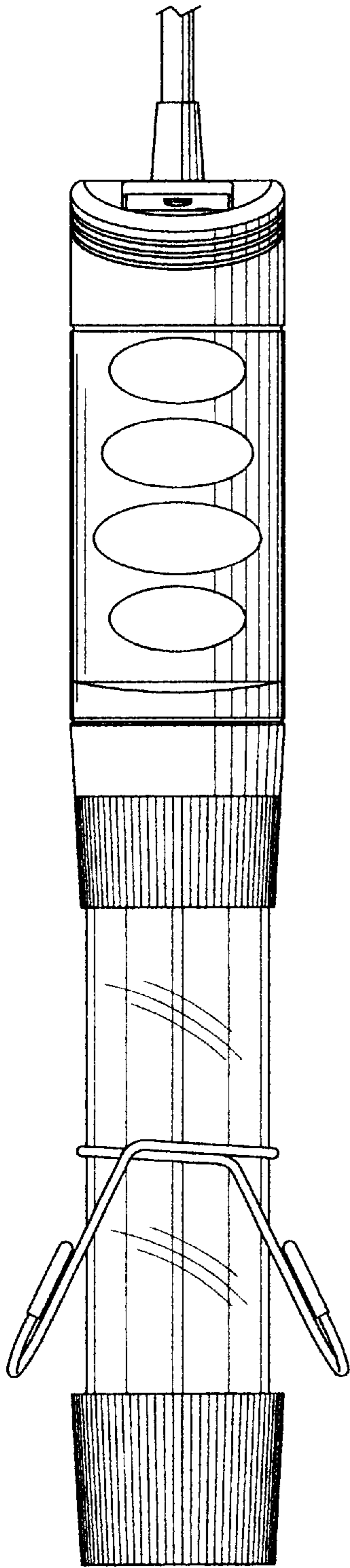


Fig. 5

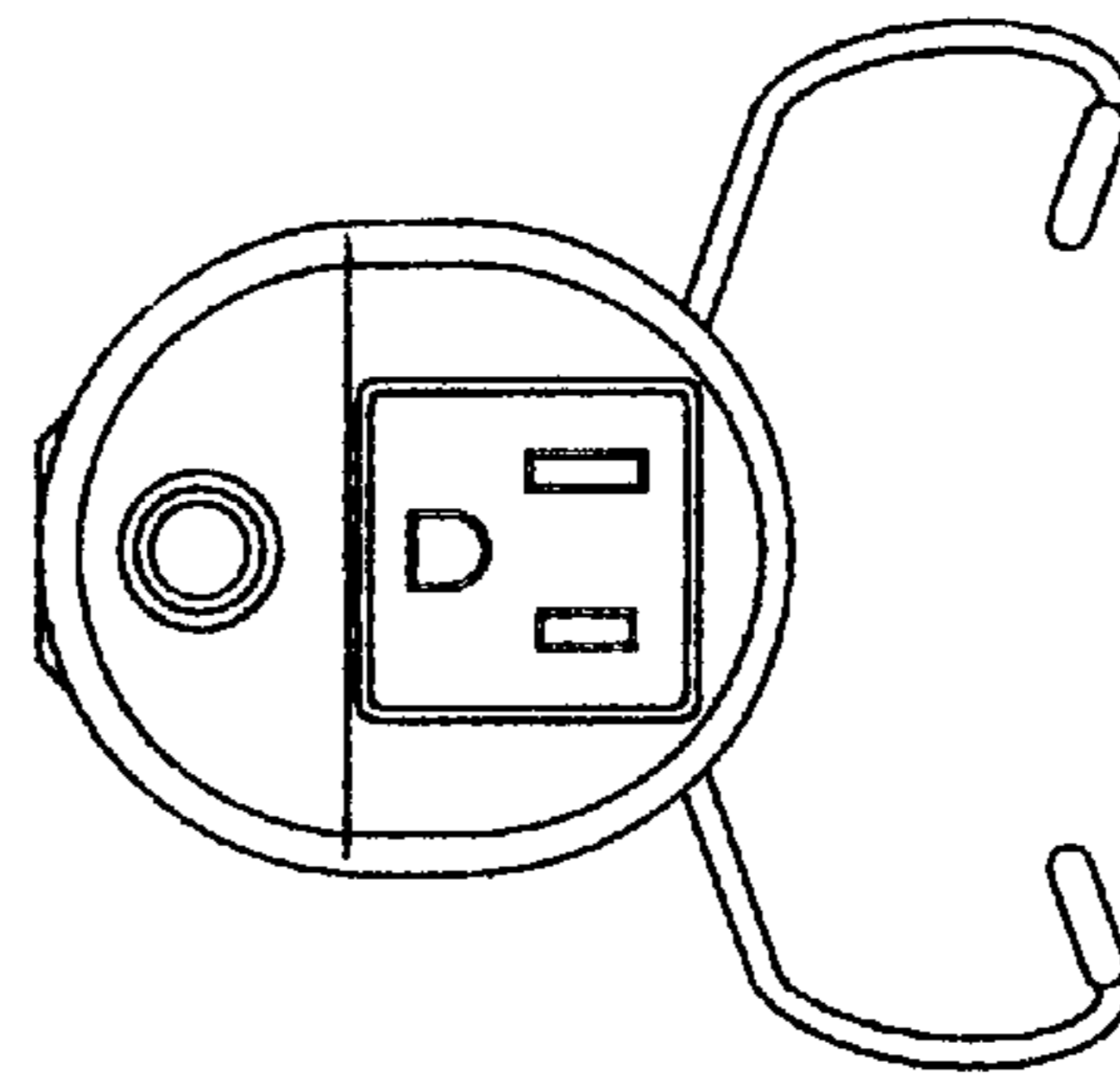


Fig. 7

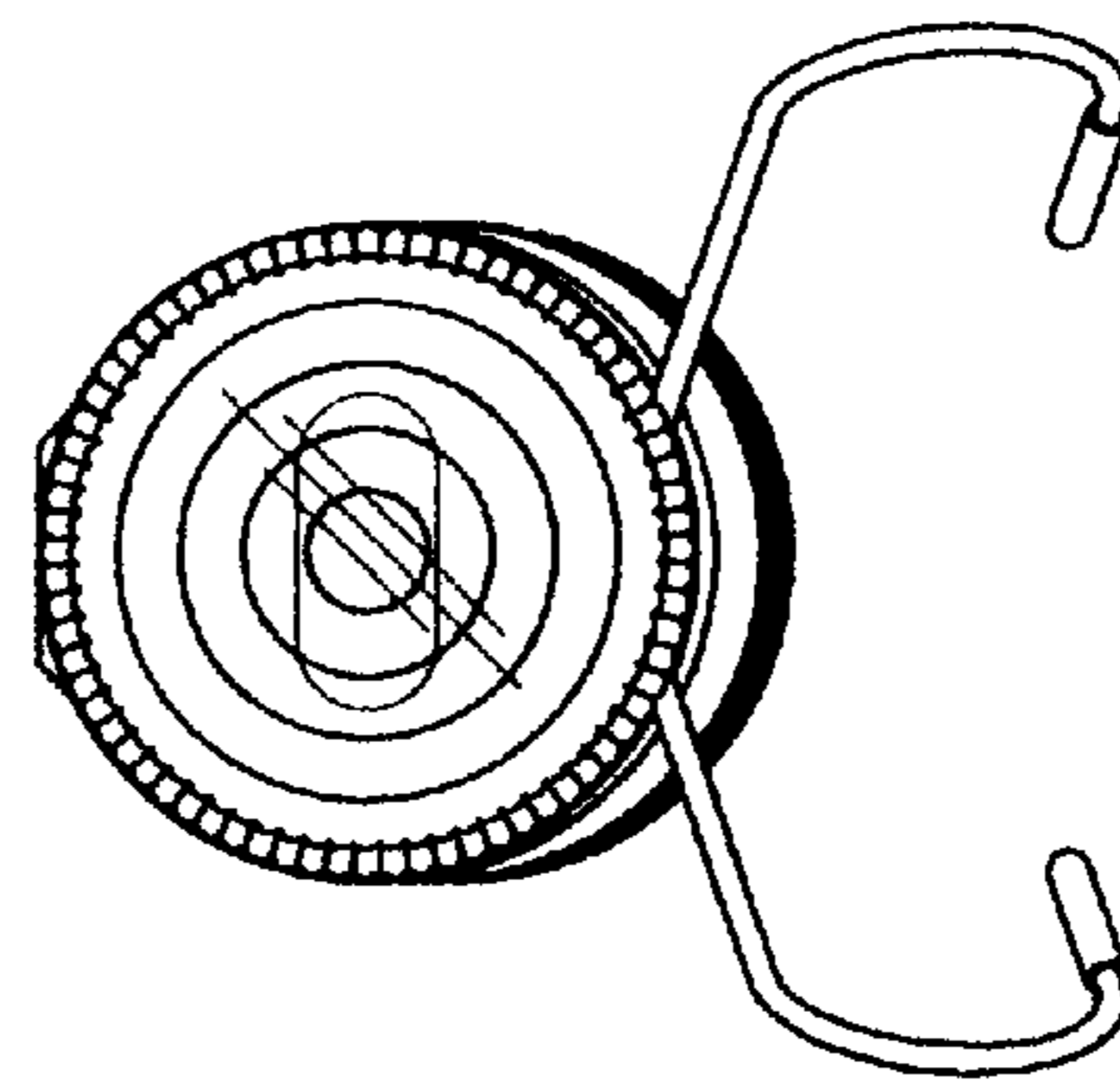


Fig. 6