



US00D526075S

(12) **United States Design Patent**  
**Kudo et al.**

(10) **Patent No.:** **US D526,075 S**  
(45) **Date of Patent:** **\*\* Aug. 1, 2006**

(54) **HEADLIGHT CASE**

FOREIGN PATENT DOCUMENTS

(75) Inventors: **Kazuhiro Kudo**, Wako (JP); **Tetsuya Nakazawa**, Wako (JP)

JP 1039253 S 5/1999

\* cited by examiner

(73) Assignee: **Honda Motor Co., Ltd.**, Tokyo (JP)

*Primary Examiner*—Marcus A. Jackson

(74) *Attorney, Agent, or Firm*—Arent Fox PLLC

(\*\*) Term: **14 Years**

(57) **CLAIM**

(21) Appl. No.: **29/236,896**

The ornamental design for a headlight case, as shown and described.

(22) Filed: **Aug. 24, 2005**

**DESCRIPTION**

(30) **Foreign Application Priority Data**

Feb. 25, 2005 (JP) ..... 2005-005479

FIG. 1 is a front view of a headlight case showing my new design.

FIG. 2 is a rear view thereof.

FIG. 3 is a plan view thereof.

FIG. 4 is a bottom view thereof.

FIG. 5 is a right side view thereof.

FIG. 6 is a left side view thereof.

FIG. 7 is a perspective view thereof as seen from the right front side.

FIG. 8 is a perspective view thereof as seen from the left front side.

FIG. 9 is a perspective view thereof as seen from the right rear side.

FIG. 10 is a perspective view thereof as seen from the left rear side; and,

FIG. 11 is a reference view of the headlight case showing its state of use on a vehicle.

The broken line showing of the vehicle is for illustrative purposes only and forms no part of the claimed design.

(51) **LOC (8) Cl.** ..... **26-06**

(52) **U.S. Cl.** ..... **D26/28**

(58) **Field of Classification Search** ..... D26/28–36;  
362/459–468, 475–478, 485–487, 61, 80–83,  
362/267, 269, 275, 330–340  
See application file for complete search history.

(56) **References Cited**

U.S. PATENT DOCUMENTS

D483,887 S	*	12/2003	Hoshino	.....	D26/28
D494,295 S	*	8/2004	Idei et al.	.....	D26/28
D500,564 S	*	1/2005	Uemoto et al.	.....	D26/28
D515,227 S	*	2/2006	Idei et al.	.....	D26/28

**1 Claim, 6 Drawing Sheets**

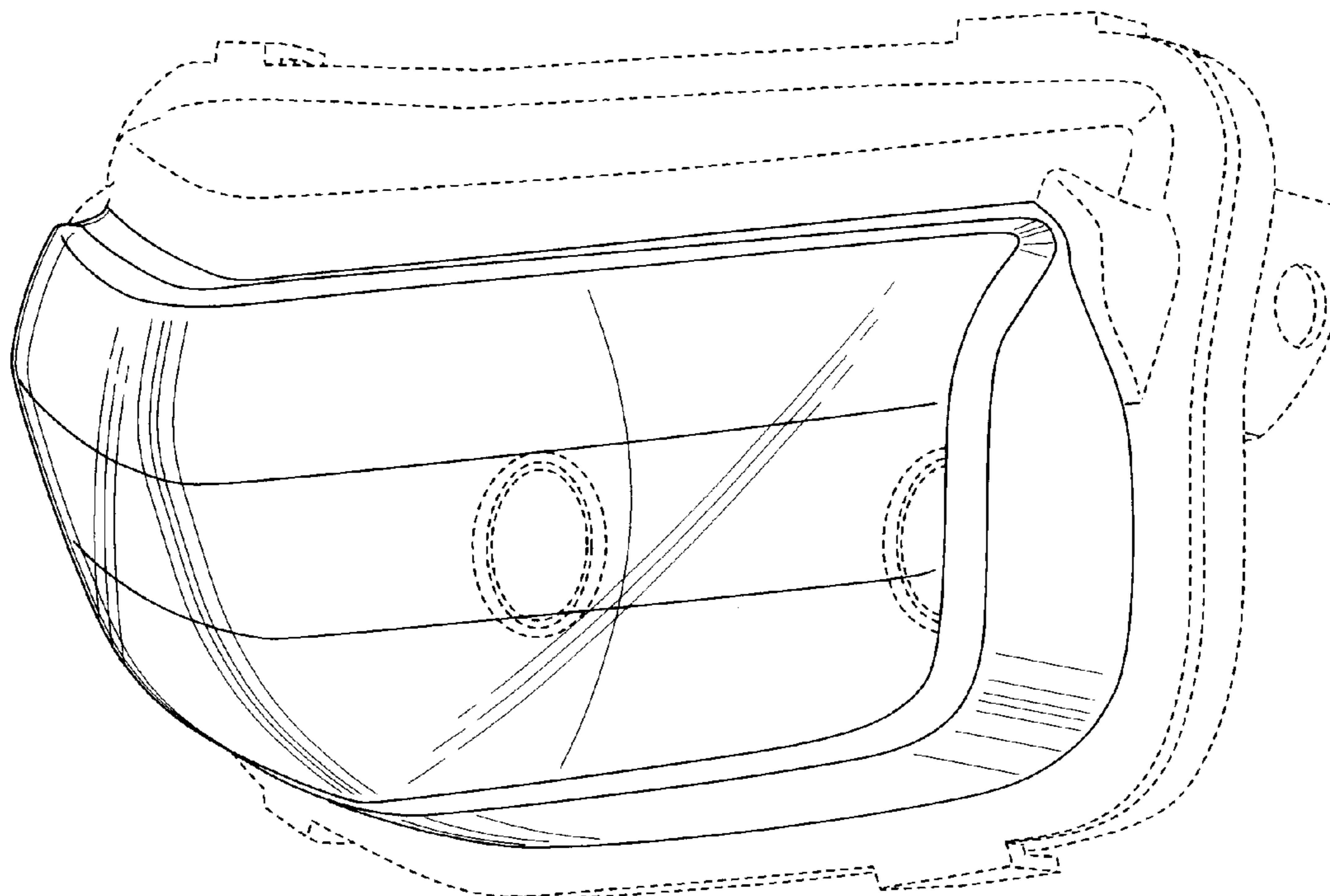


FIG.1

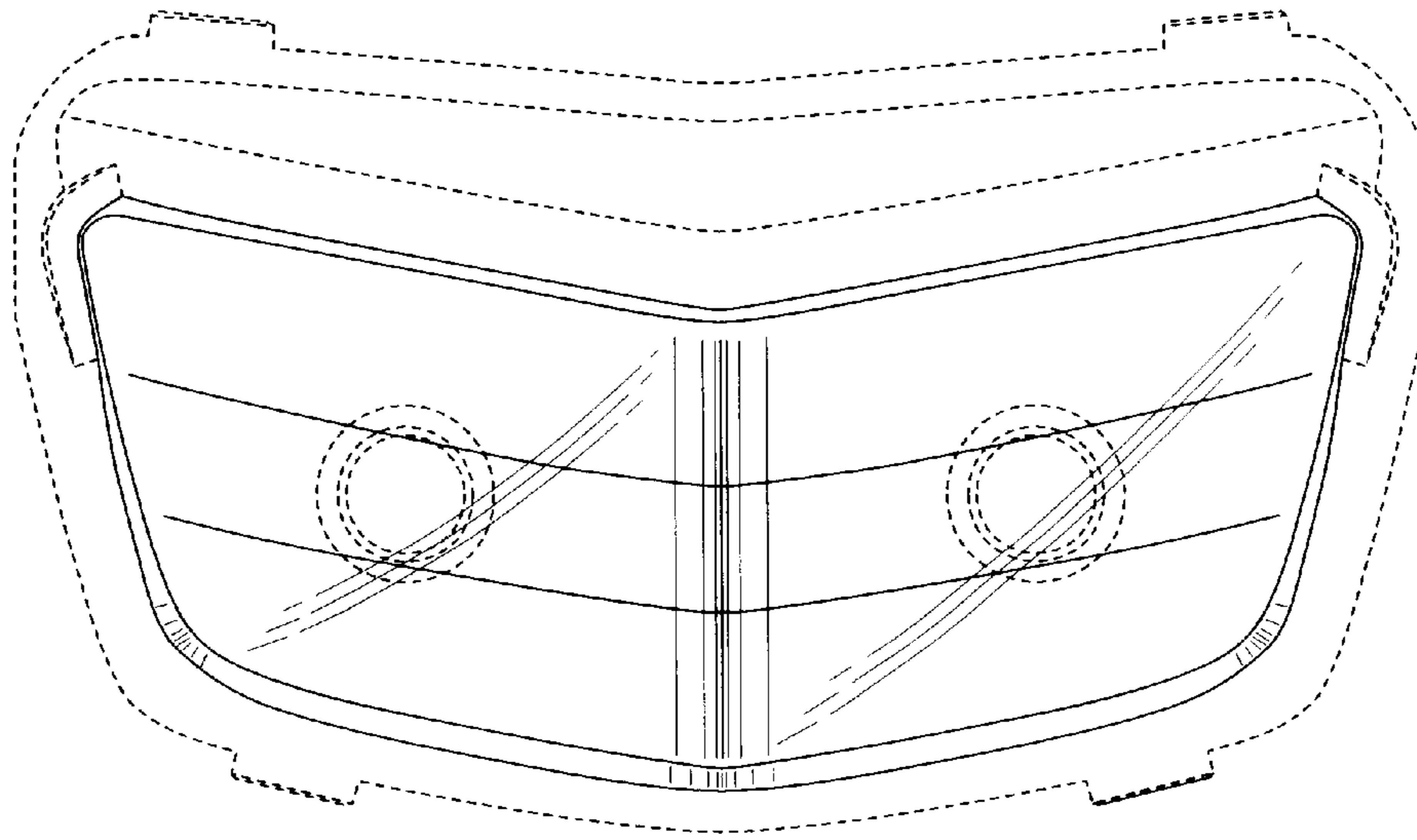


FIG.2

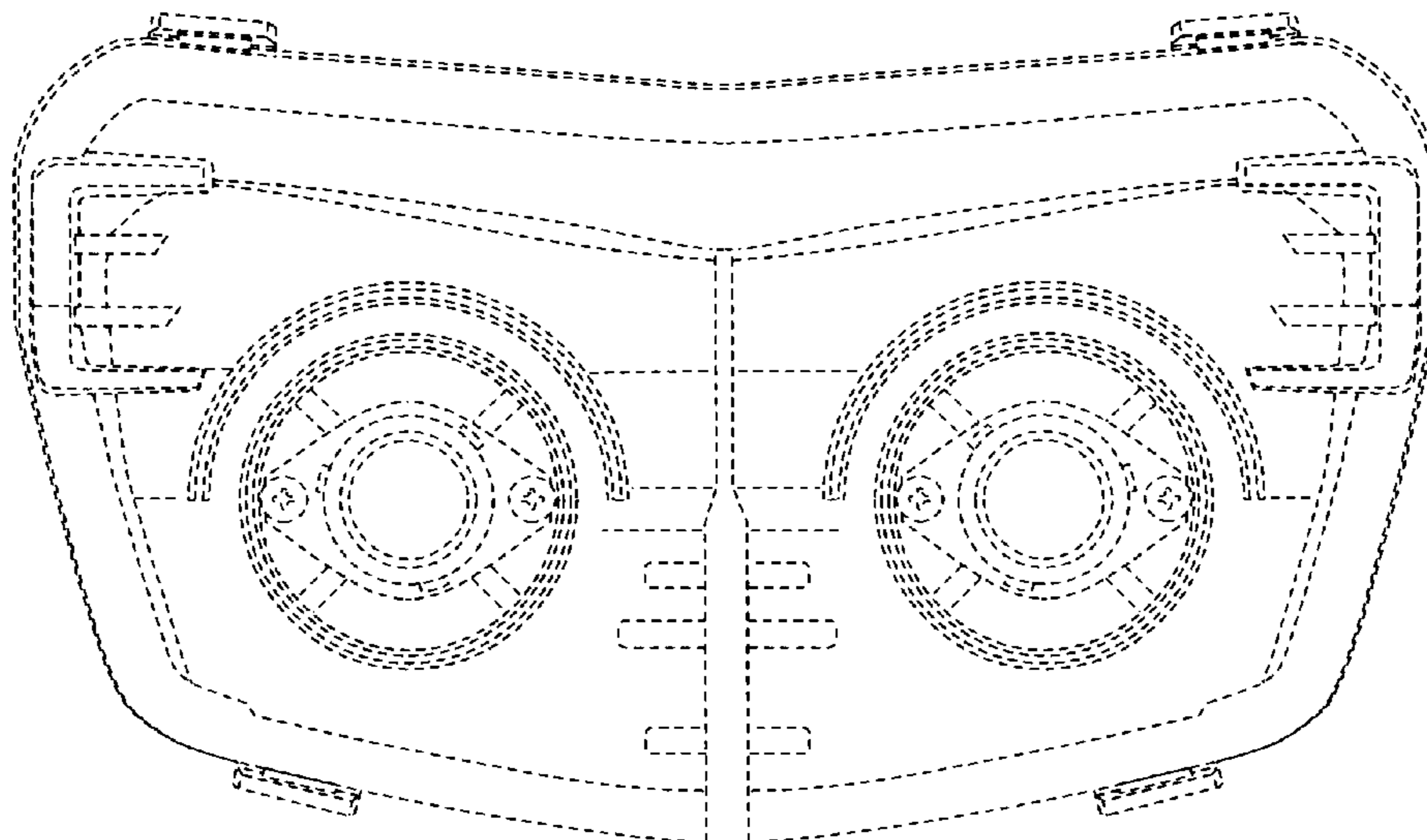


FIG.3

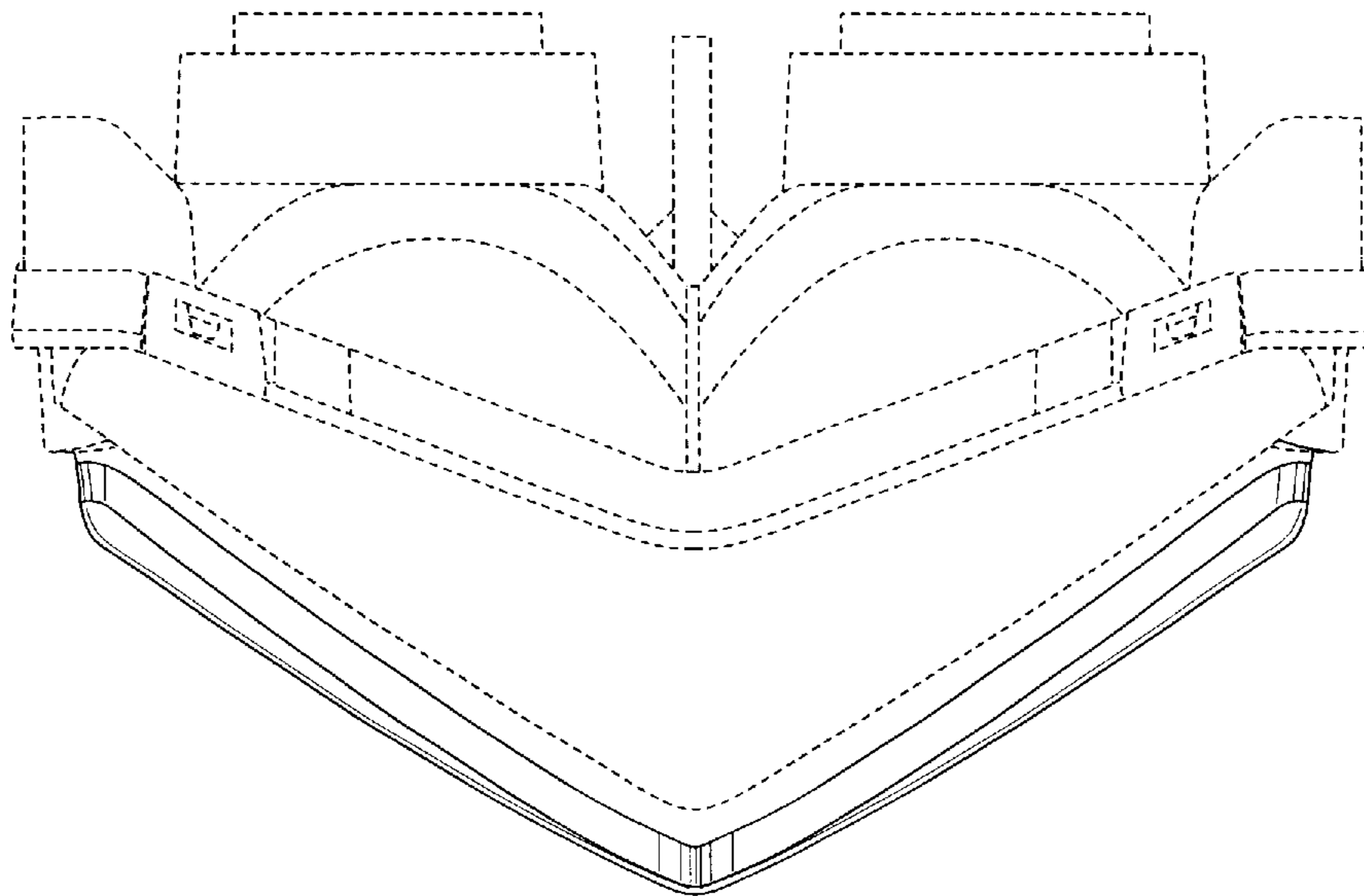
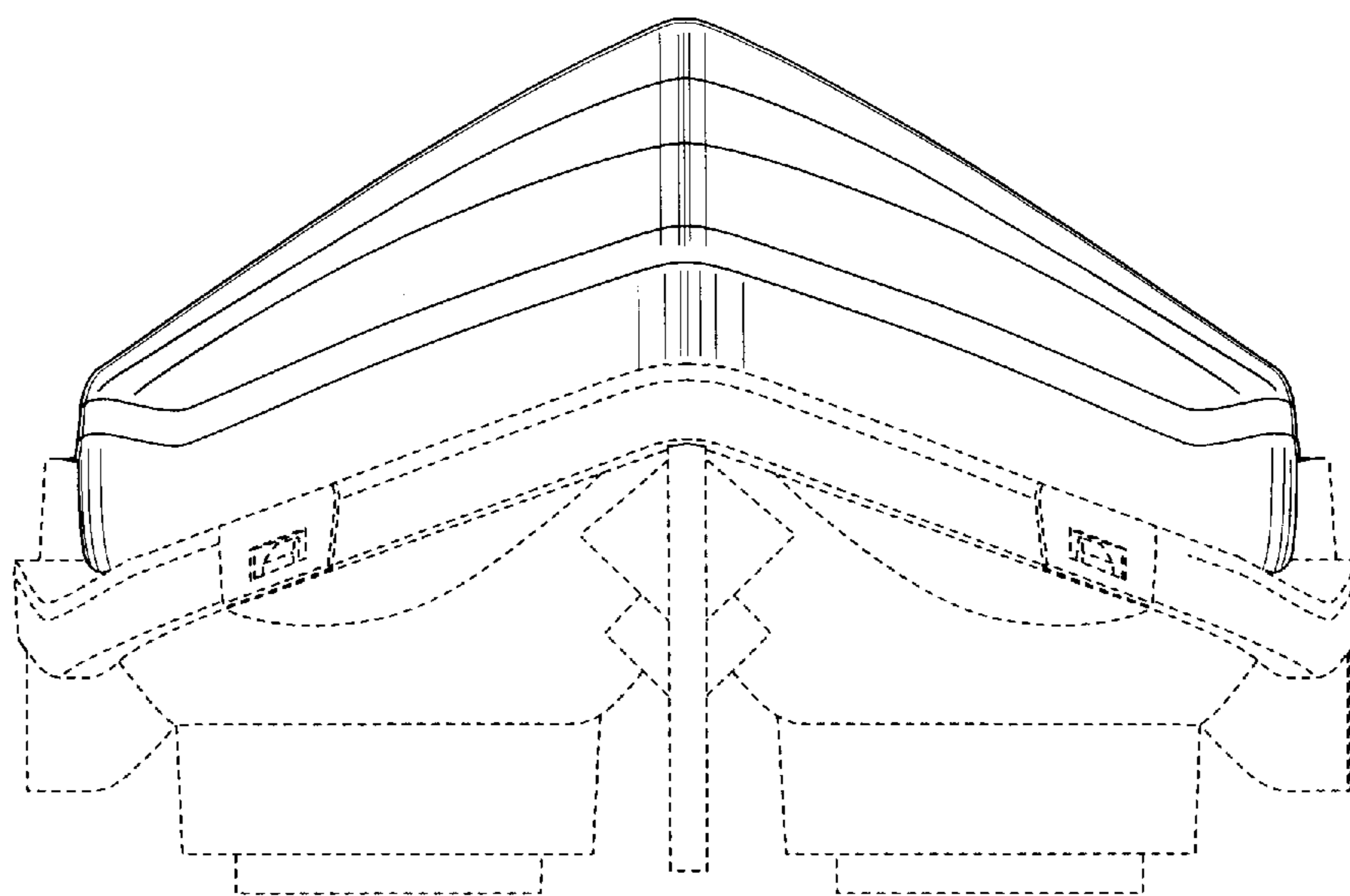
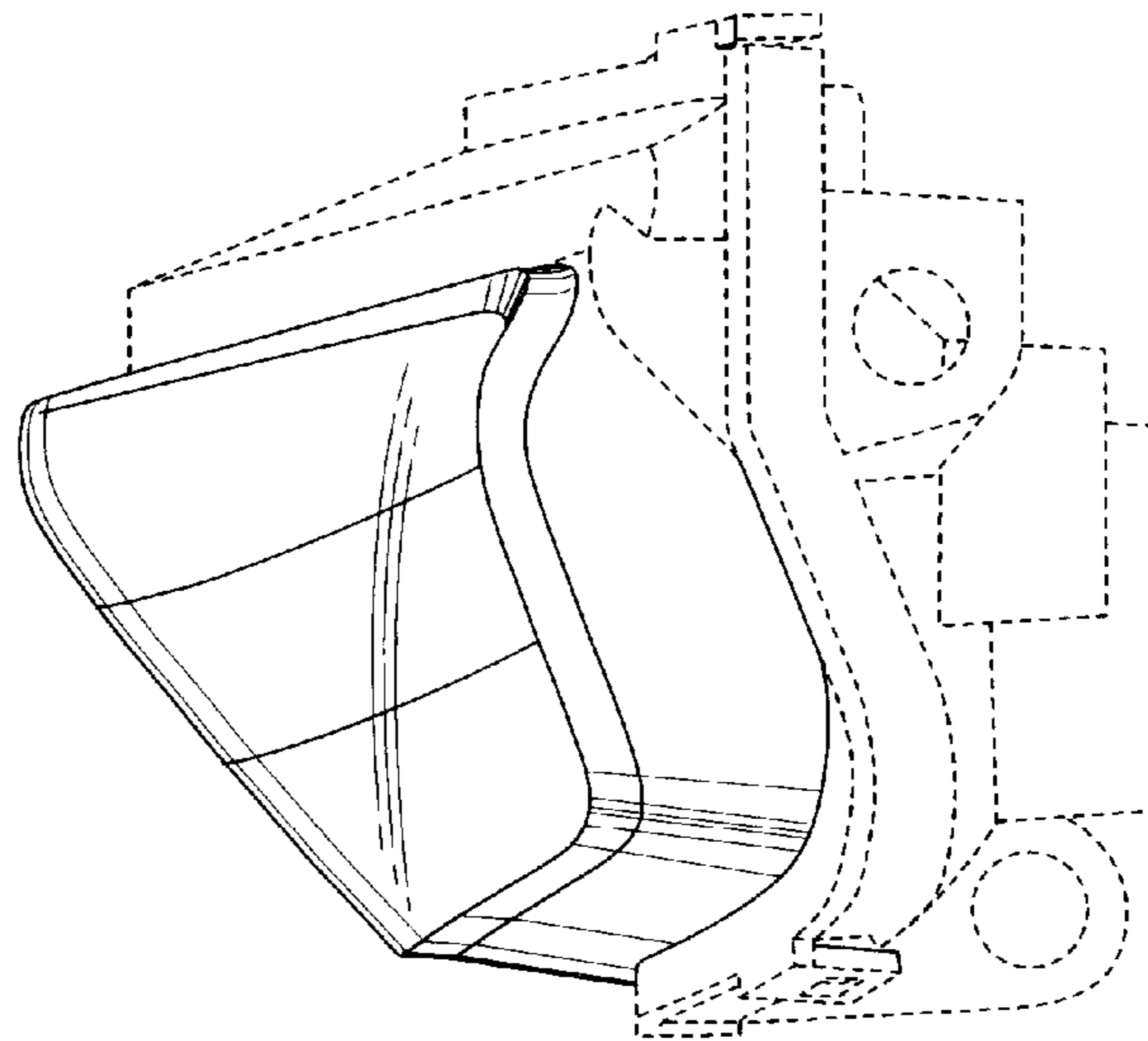


FIG.4



**FIG.5**



**FIG.6**

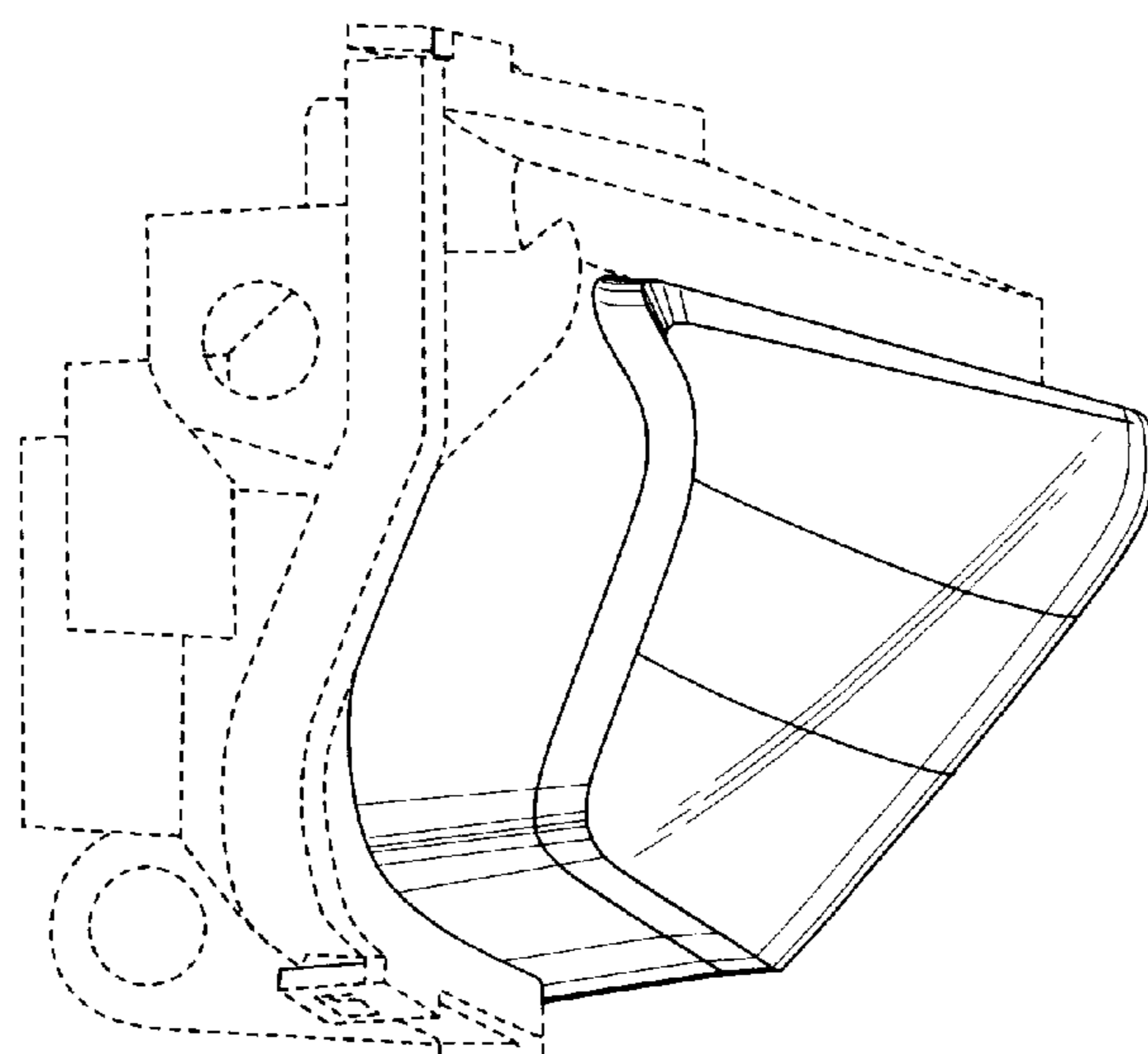


FIG.7

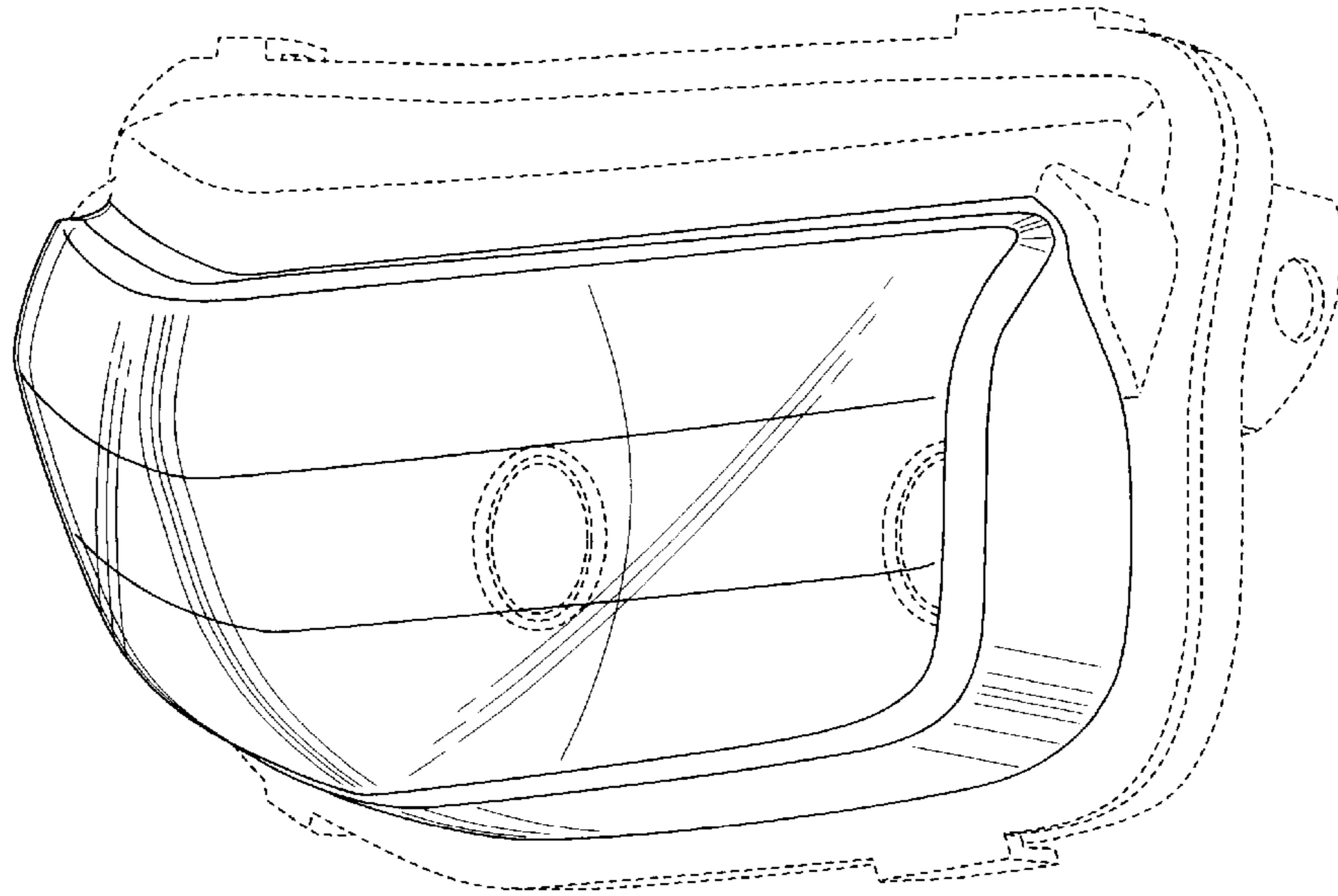


FIG.8

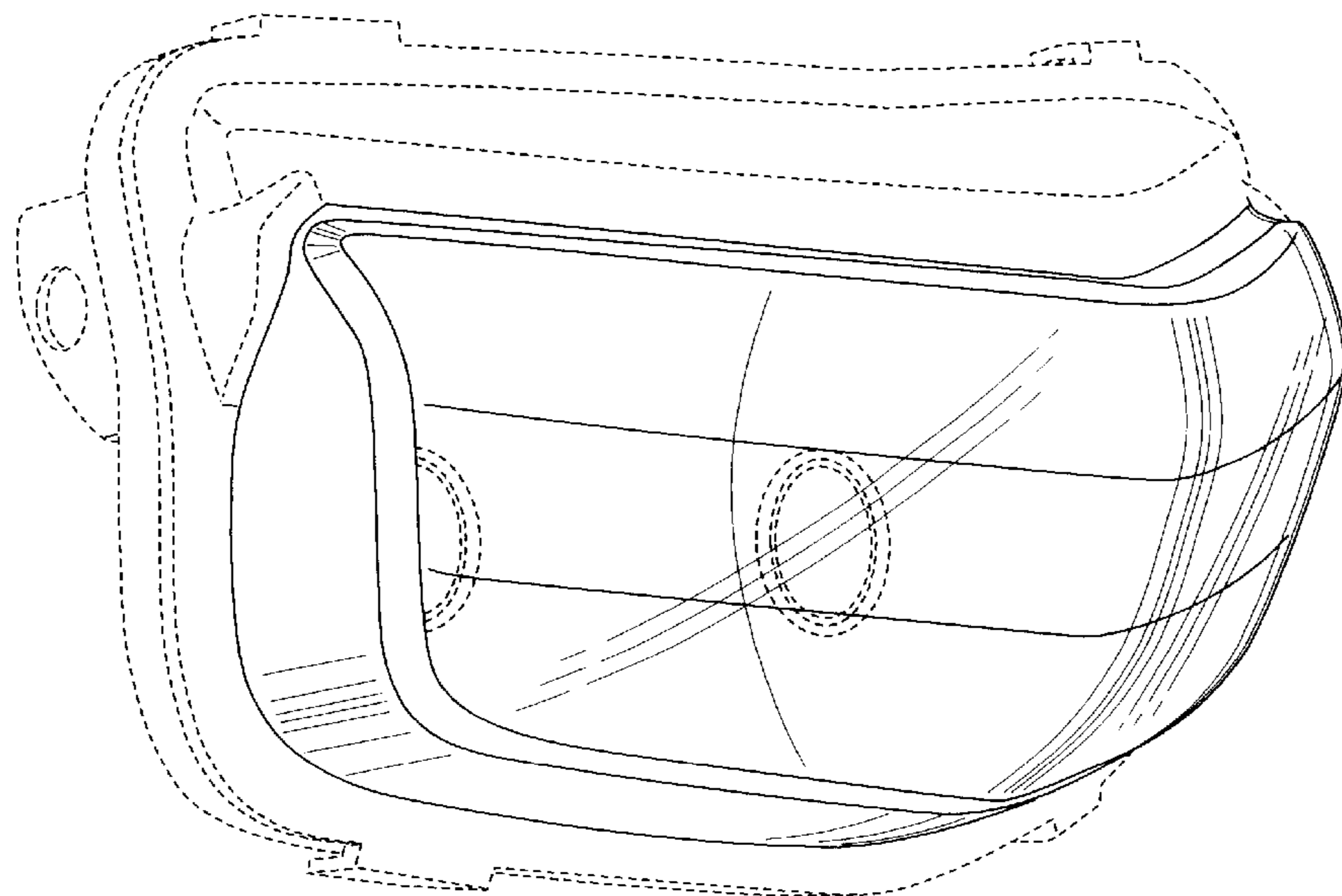


FIG.9

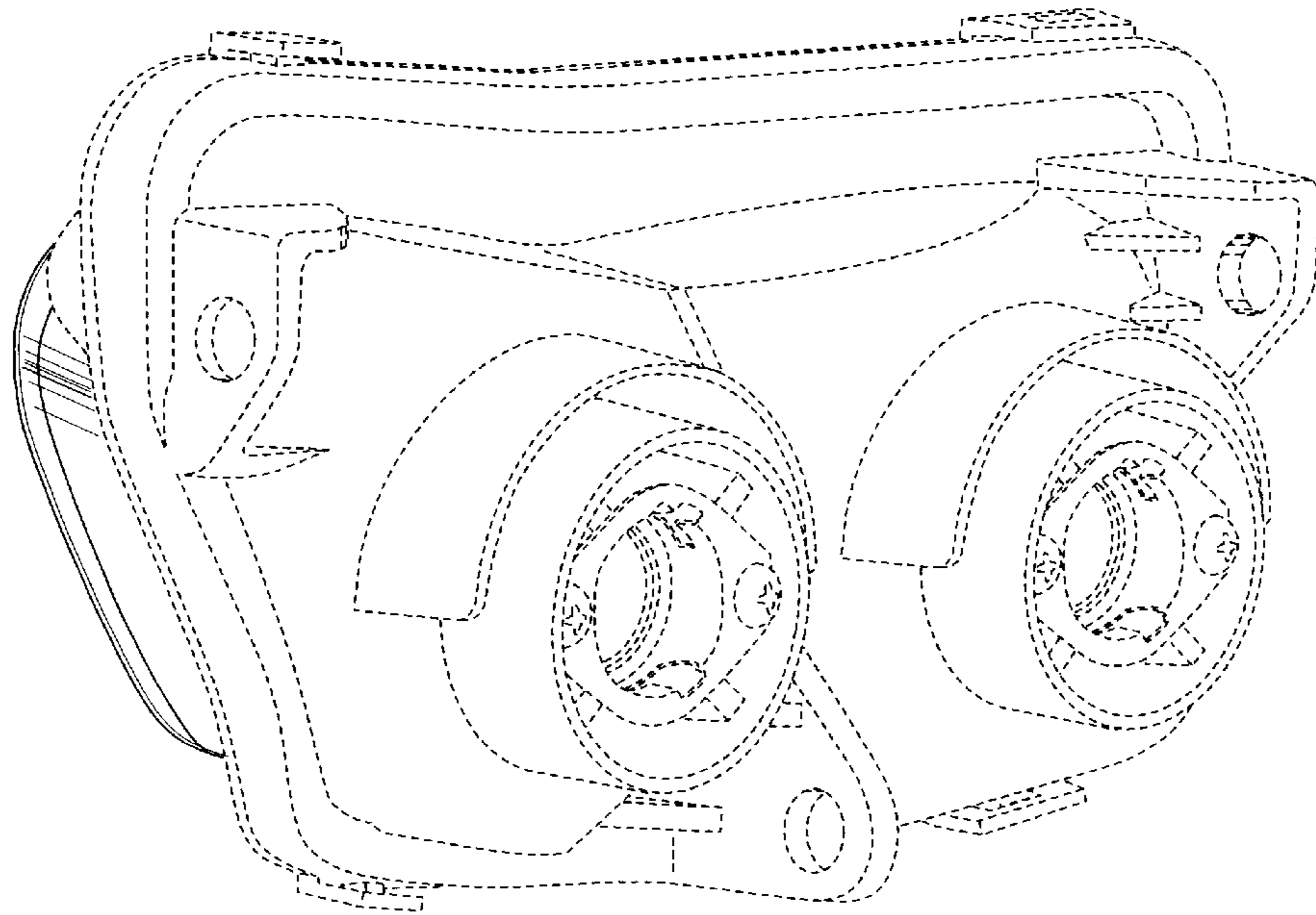


FIG.10

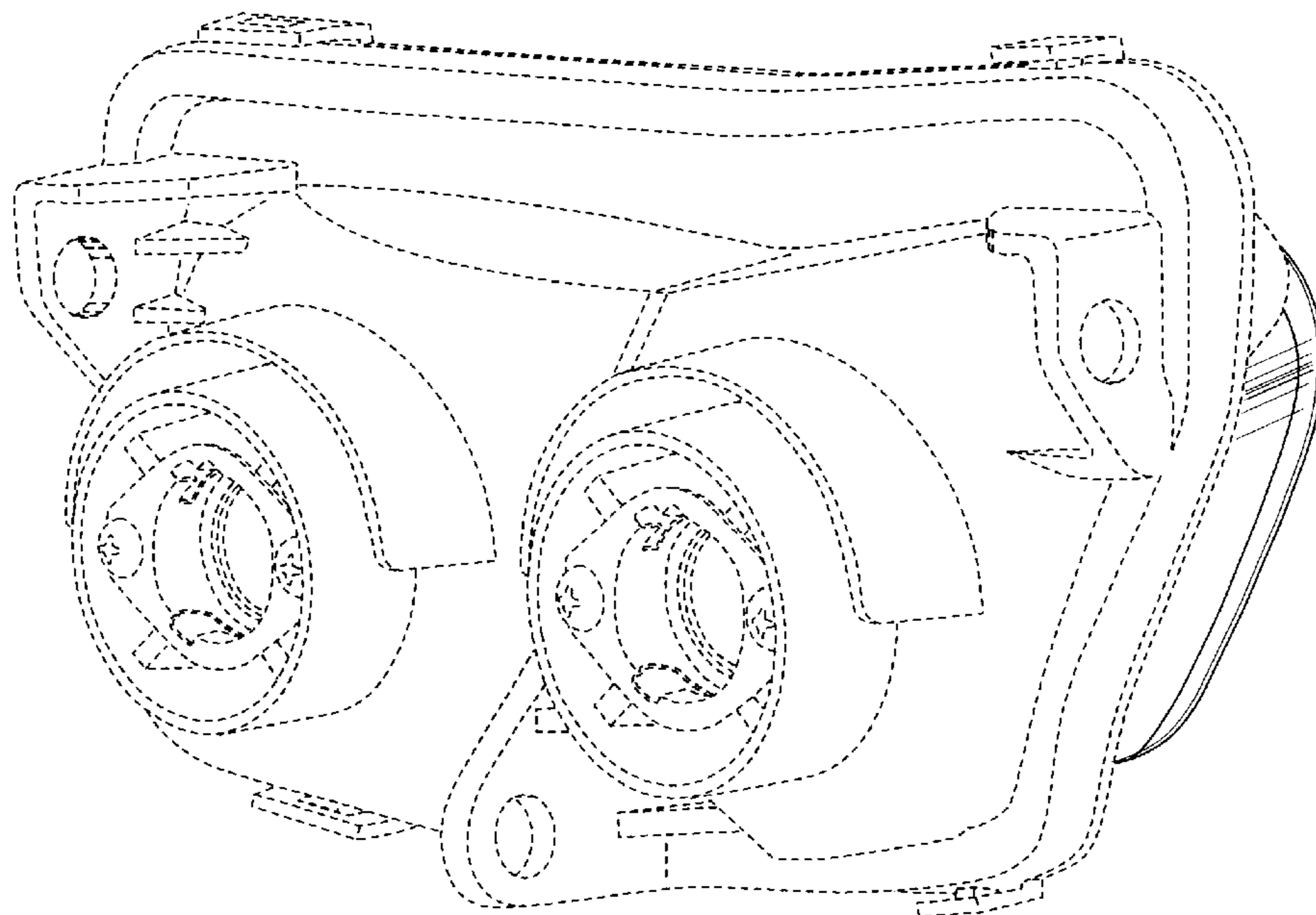


FIG.11

