



US00D526072S

(12) **United States Design Patent**  
**Fujimoto et al.**

(10) **Patent No.:** **US D526,072 S**

(45) **Date of Patent:** **\*\* Aug. 1, 2006**

(54) **FRONT COMBINATION LAMP FOR AN  
AUTOMOBILE**

D506,276 S \* 6/2005 Nakamura et al. .... D26/28

**OTHER PUBLICATIONS**

(75) Inventors: **Hiroshi Fujimoto**, Aichi-ken (JP);  
**Kengo Matsumoto**, Aichi-ken (JP);  
**Akihito Fukui**, Aichi-ken (JP)

Toyota, SC430 (Soarer), Manufacturer's Brochure prior to  
Apr. 21, 2005.

\* cited by examiner

(73) Assignee: **Toyota Jidosha Kabushiki Kaisha** (JP)

*Primary Examiner*—Marcus A. Jackson

(\*\*) Term: **14 Years**

(74) *Attorney, Agent, or Firm*—SAIDMAN DesignLaw  
Group

(21) Appl. No.: **29/228,304**

(57) **CLAIM**

(22) Filed: **Apr. 21, 2005**

The ornamental design for a front combination lamp for an  
automobile, as shown and described.

(51) **LOC (8) Cl.** ..... **26-06**

(52) **U.S. Cl.** ..... **D26/28**

(58) **Field of Classification Search** ..... D26/28-36;  
362/459-468, 475-478, 485-487

See application file for complete search history.

**DESCRIPTION**

FIG. 1 is a front perspective view of a front combination  
lamp for an automobile showing our new design;

FIG. 2 is a front view thereof;

FIG. 3 is a top plan view thereof; and,

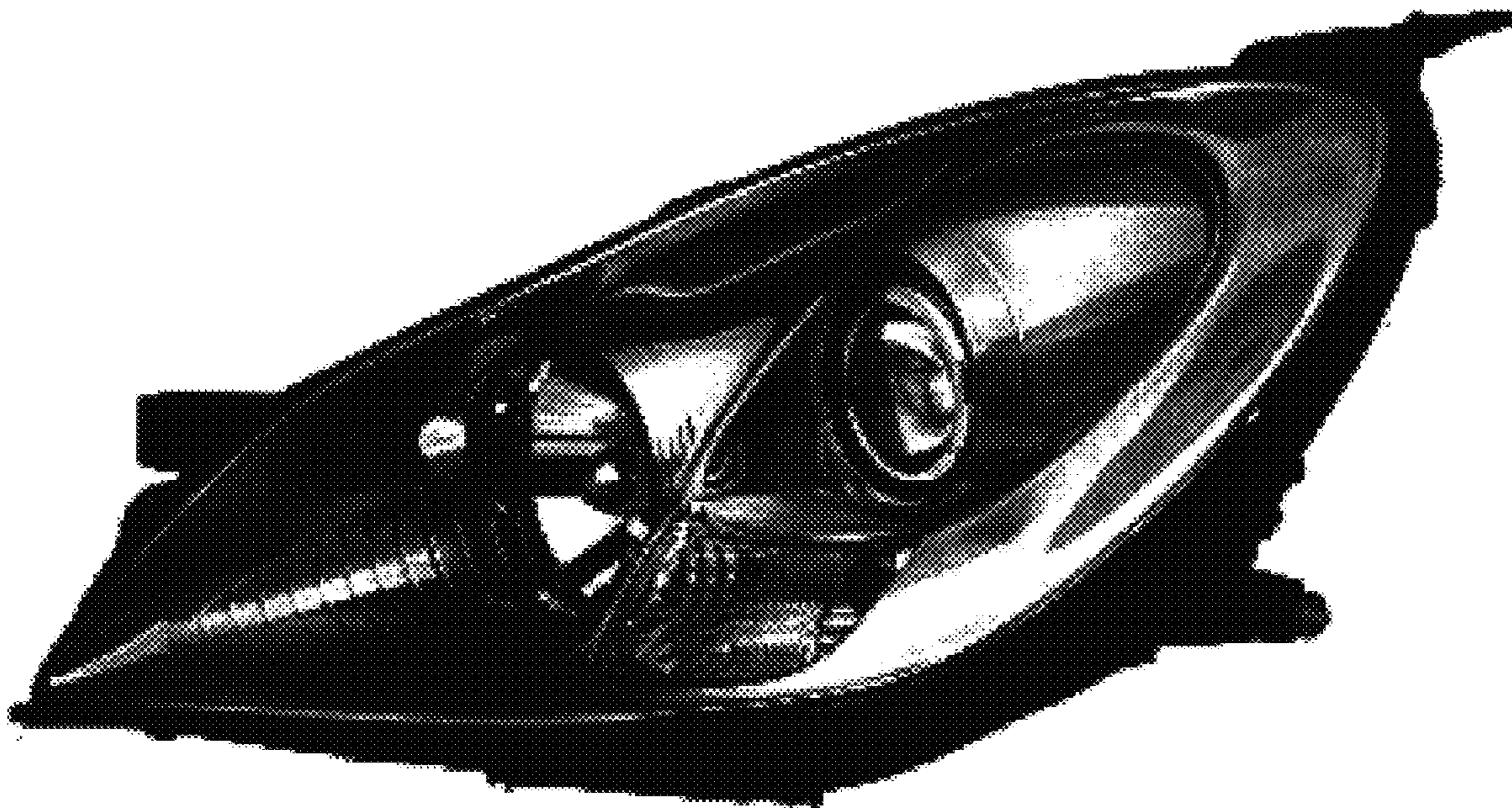
FIG. 4 is a right-side view thereof.

(56) **References Cited**

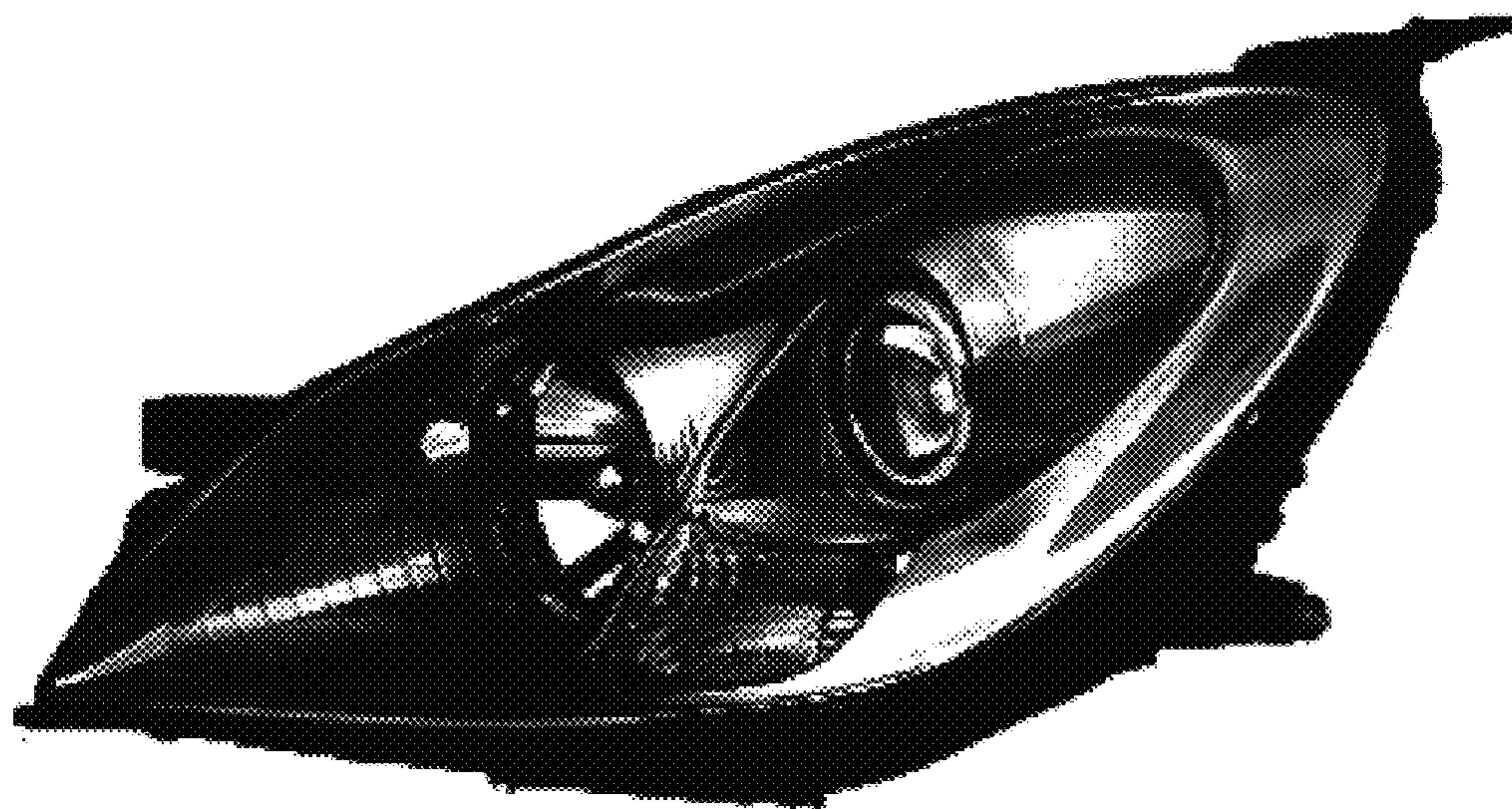
**U.S. PATENT DOCUMENTS**

D492,046 S \* 6/2004 Nakamura et al. .... D26/28

**1 Claim, 2 Drawing Sheets**





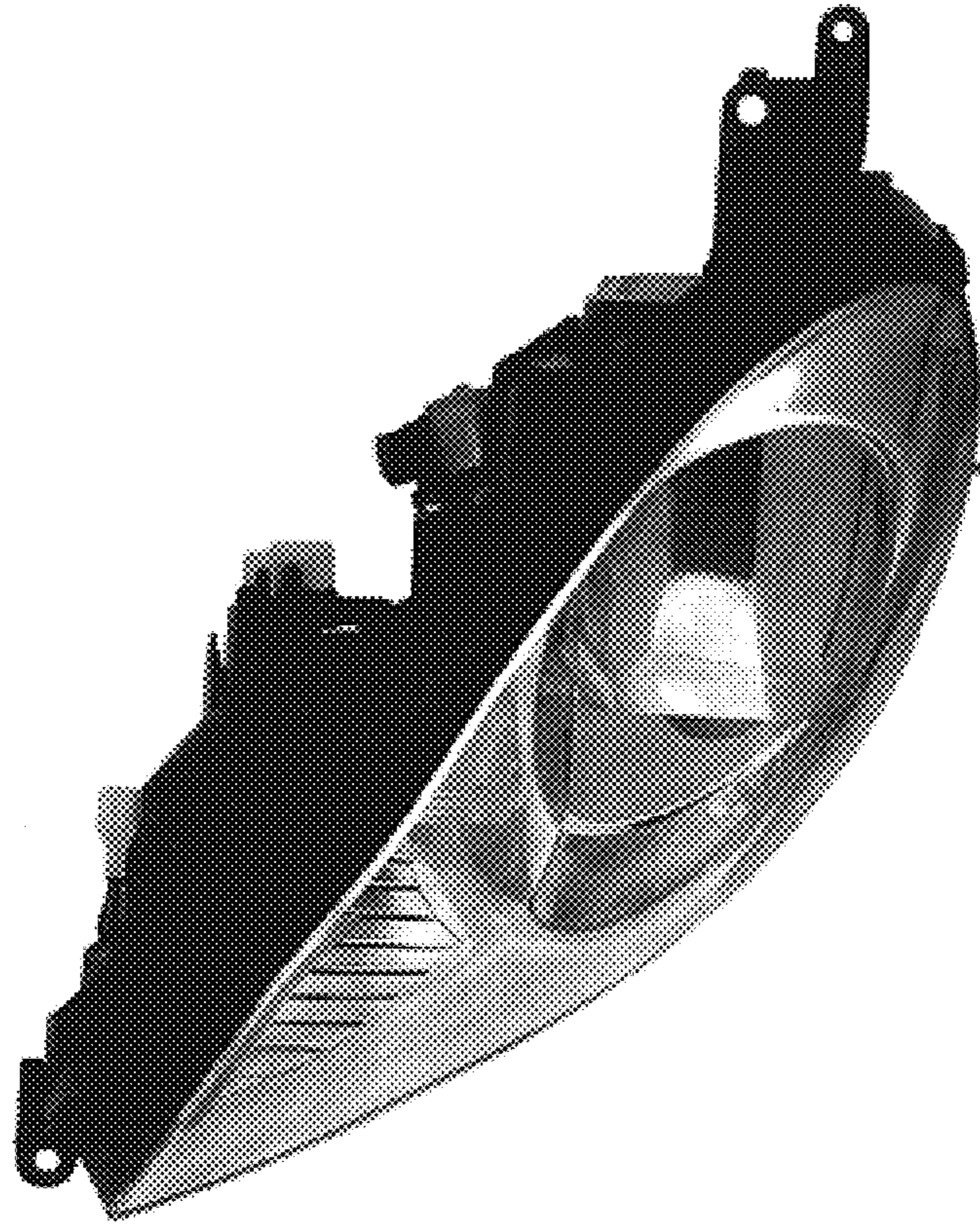


**FIG. 1**



**FIG. 2**





**FIG. 3**



**FIG. 4**