



US00D526070S

(12) **United States Design Patent**
Tokutake

(10) **Patent No.:** **US D526,070 S**

(45) **Date of Patent:** **** Aug. 1, 2006**

(54) **REAR COMBINATION LAMP FOR AN
AUTOMOBILE**

D492,046 S * 6/2004 Nakamura et al. D26/28
D506,558 S * 6/2005 Lin D26/28

(75) Inventor: **Shogo Tokutake**, Aichi-ken (JP)

(73) Assignee: **Toyota Jidosha Kabushiki Kaisha**,
Aichi-ken (JP)

(**) Term: **14 Years**

(21) Appl. No.: **29/220,275**

(22) Filed: **Dec. 28, 2004**

(51) **LOC (8) Cl.** **26-06**

(52) **U.S. Cl.** **D26/28**

(58) **Field of Classification Search** D26/28-36;
362/459-468, 475-478, 485-487
See application file for complete search history.

(56) **References Cited**

U.S. PATENT DOCUMENTS

D479,755 S * 9/2003 Yanada D26/28

OTHER PUBLICATIONS

Toyota, HARRIER 2004, Brochure of HARRIER, Jan. 2004.

* cited by examiner

Primary Examiner—Marcus A. Jackson

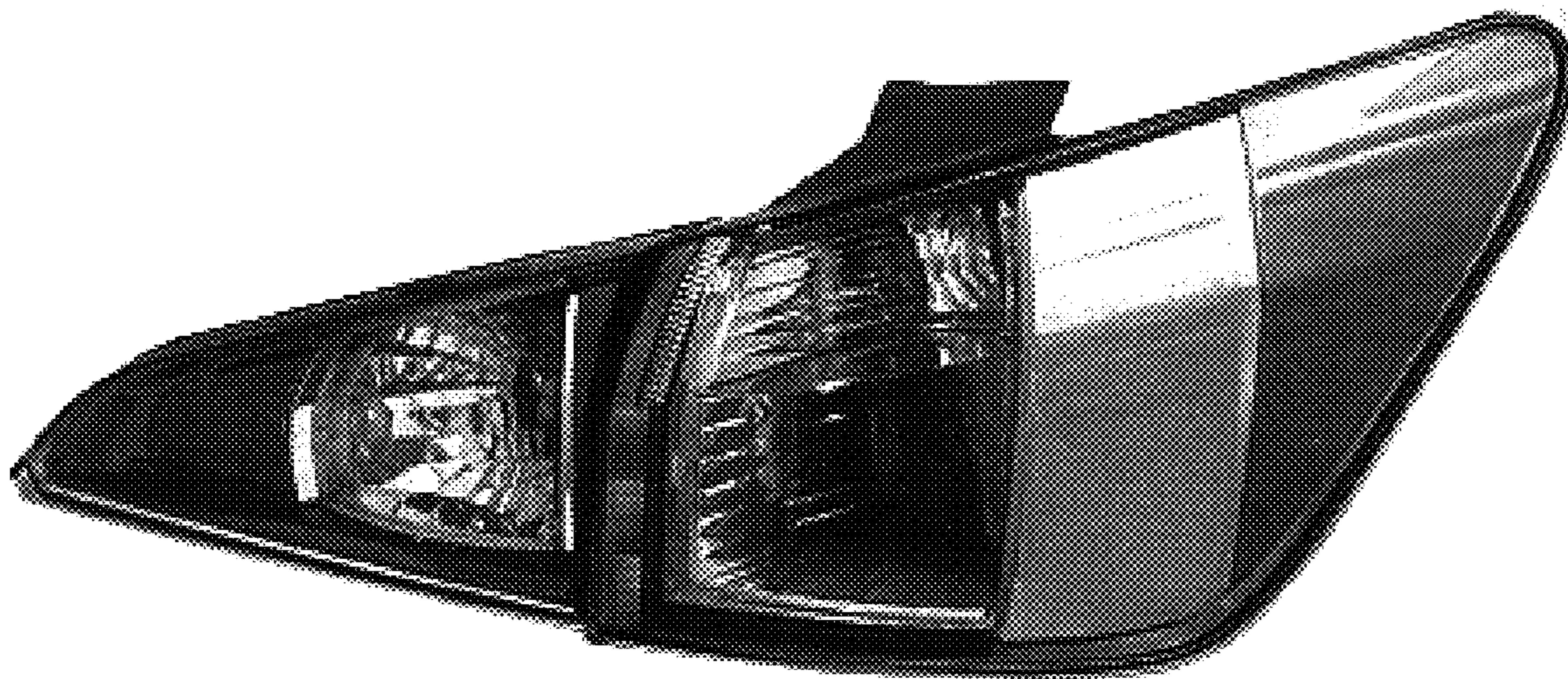
(57) **CLAIM**

The ornamental design for a rear combination lamp for an automobile, as shown and described.

DESCRIPTION

FIG. 1 is a front perspective view of a rear combination lamp for an automobile showing my new design;
FIG. 2 is a front view thereof;
FIG. 3 is a top view thereof; and,
FIG. 4 is a right-side view thereof.

1 Claim, 2 Drawing Sheets



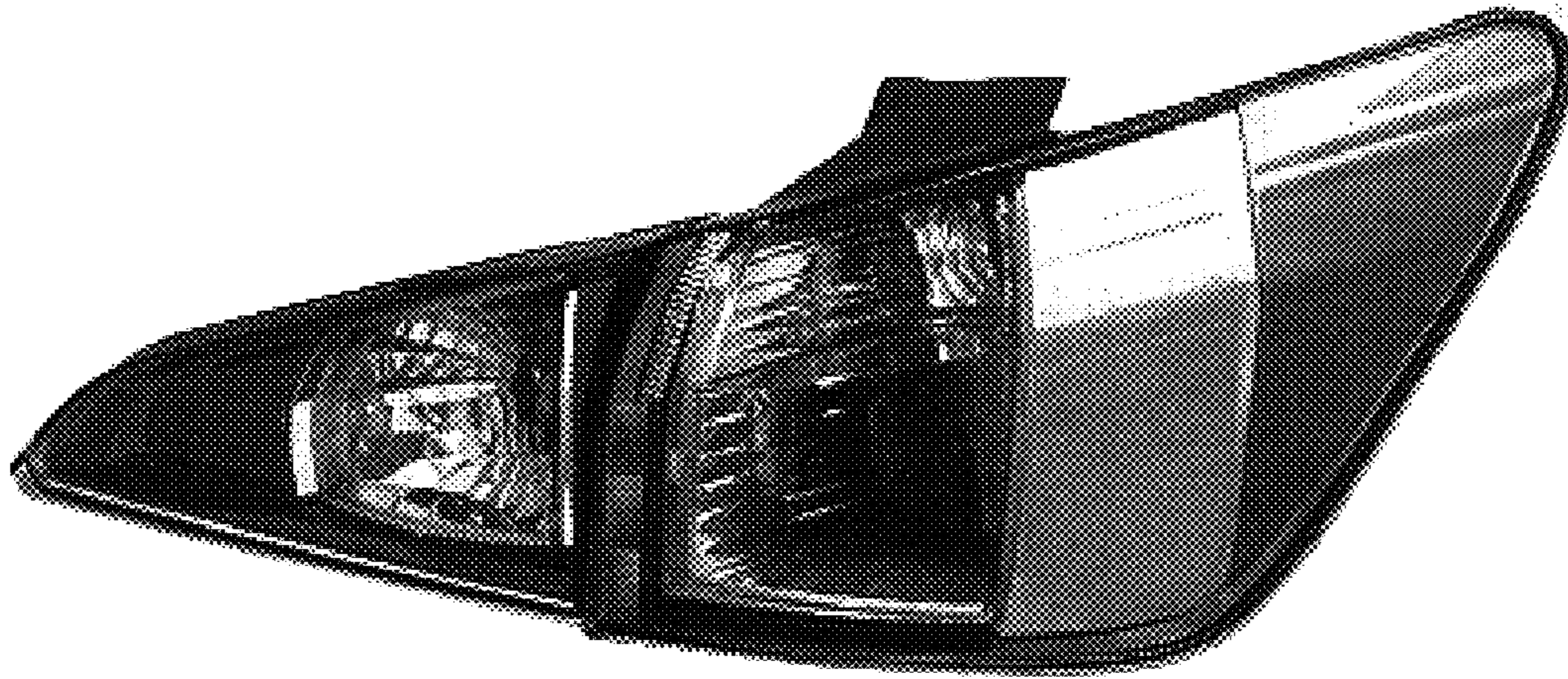


FIG. 1

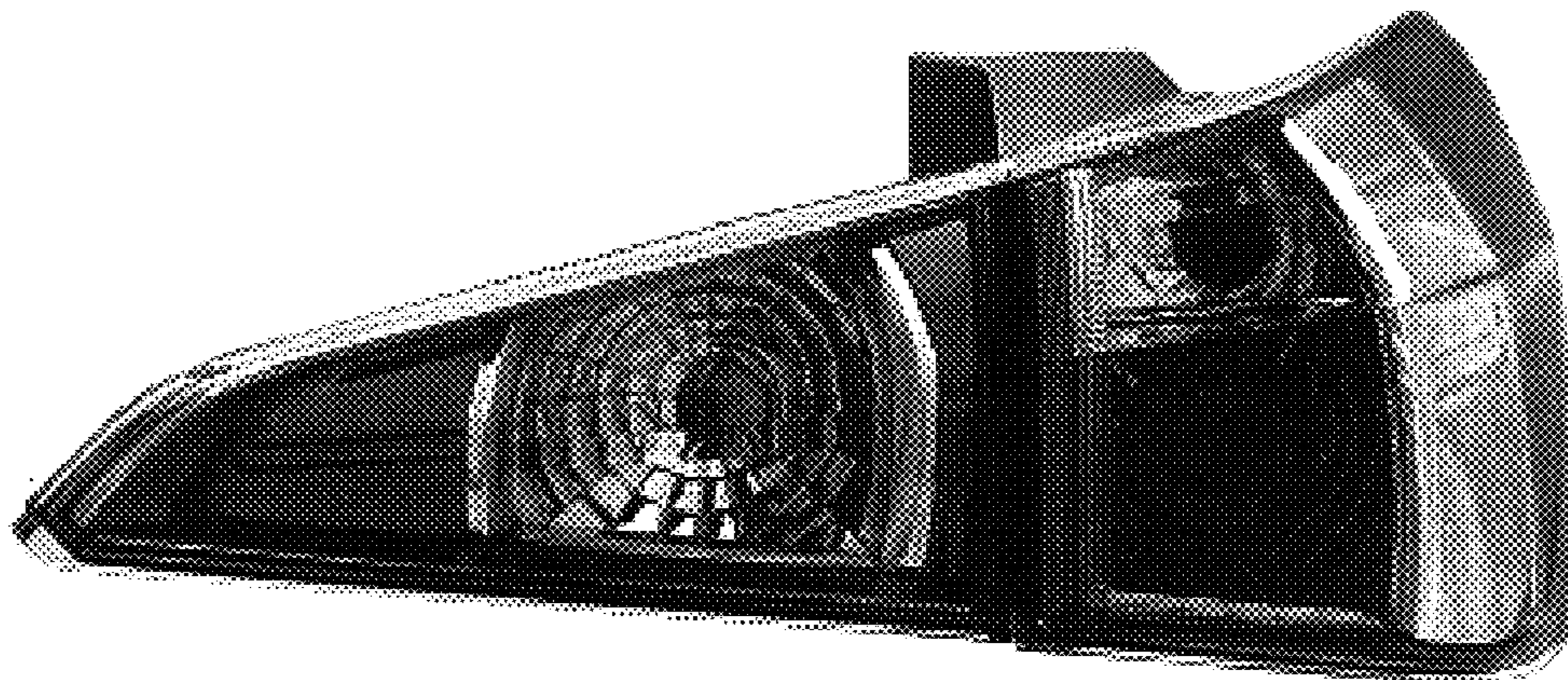


FIG. 2

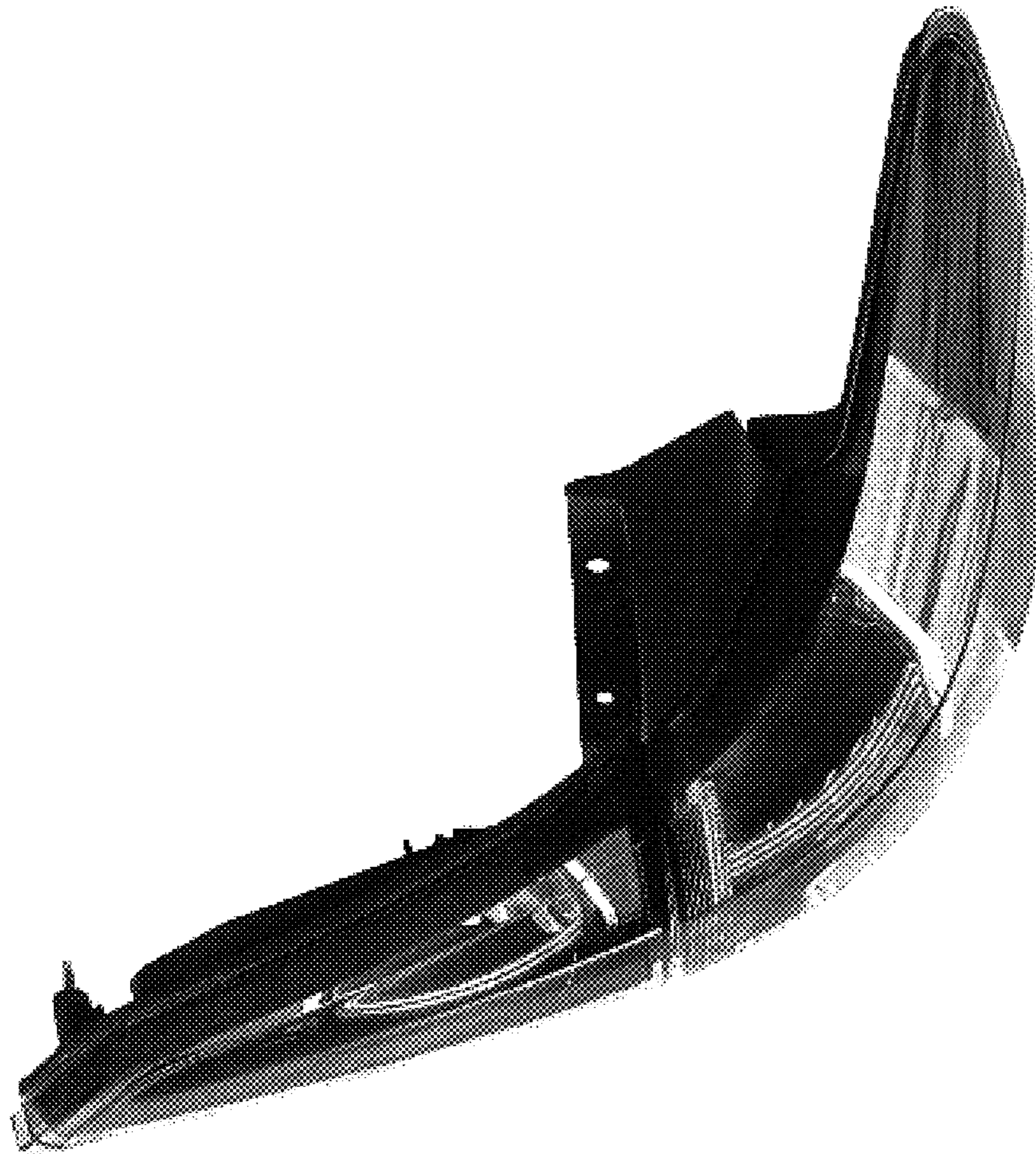


FIG. 3

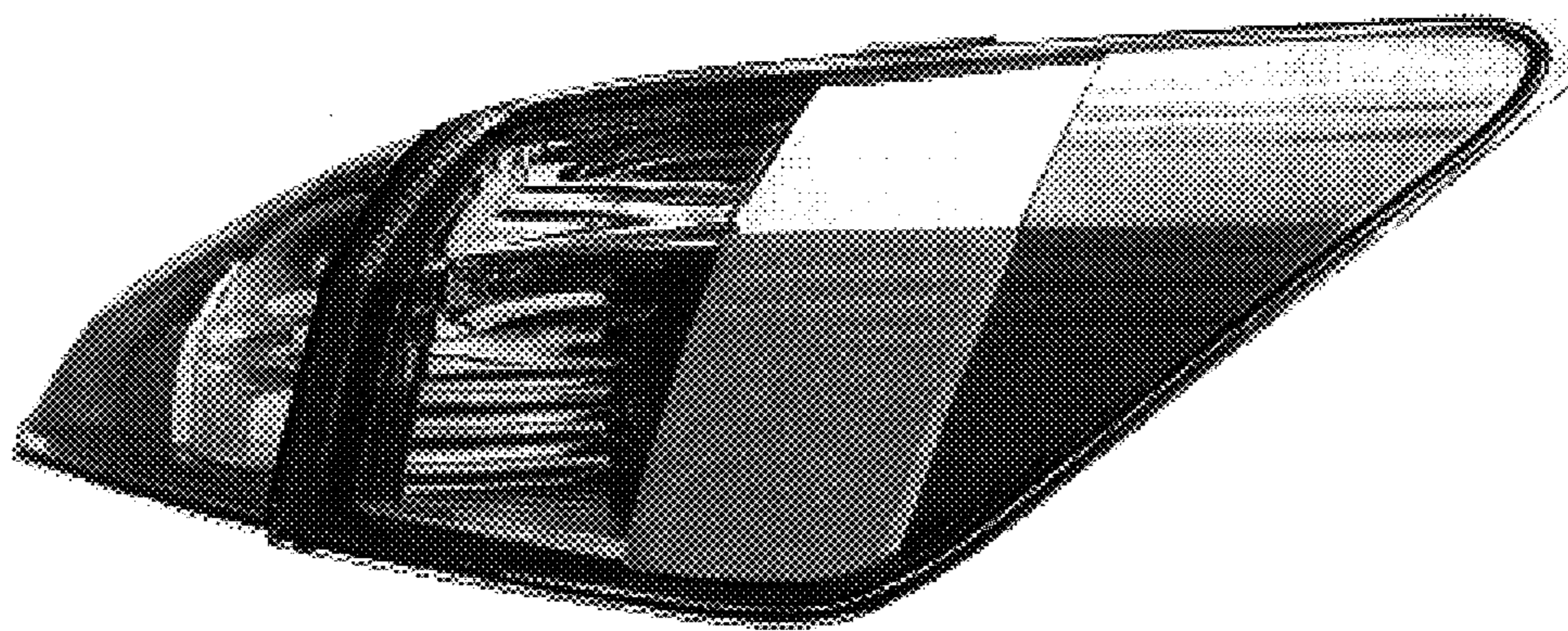


FIG. 4