



US00D526068S

(12) **United States Design Patent**
Schlangen et al.

(10) **Patent No.:** **US D526,068 S**

(45) **Date of Patent:** **** Aug. 1, 2006**

(54) **BEAM**

D468,452 S * 1/2003 Jones D25/119
D481,468 S * 10/2003 Dallaire D25/119

(75) Inventors: **Phillip E. Schlangen**, Minneapolis, MN (US); **Paul R. Lawson**, Jordan, MN (US); **William L. Eshleman**, Jordan, MN (US)

* cited by examiner

Primary Examiner—Marcus A. Jackson

(73) Assignee: **Kurt Manufacturing Company**, Minneapolis, MN (US)

(57) **CLAIM**

We claim the ornamental design of the beam, as shown and described.

(**) Term: **14 Years**

DESCRIPTION

(21) Appl. No.: **29/142,172**

FIG. 1 is a fragmentary perspective view of the beam of our new design;

(22) Filed: **May 21, 2001**

FIG. 2 is a front elevational view thereof, the rear elevational view being a mirror image thereof;

(51) **LOC (8) Cl.** **25-01**

(52) **U.S. Cl.** **D25/119**

(58) **Field of Classification Search** D25/119-124;
49/DIG. 2; 52/204.1, 205

FIG. 3 is a top plan view thereof, the bottom plan view being a mirror image thereof; and,

See application file for complete search history.

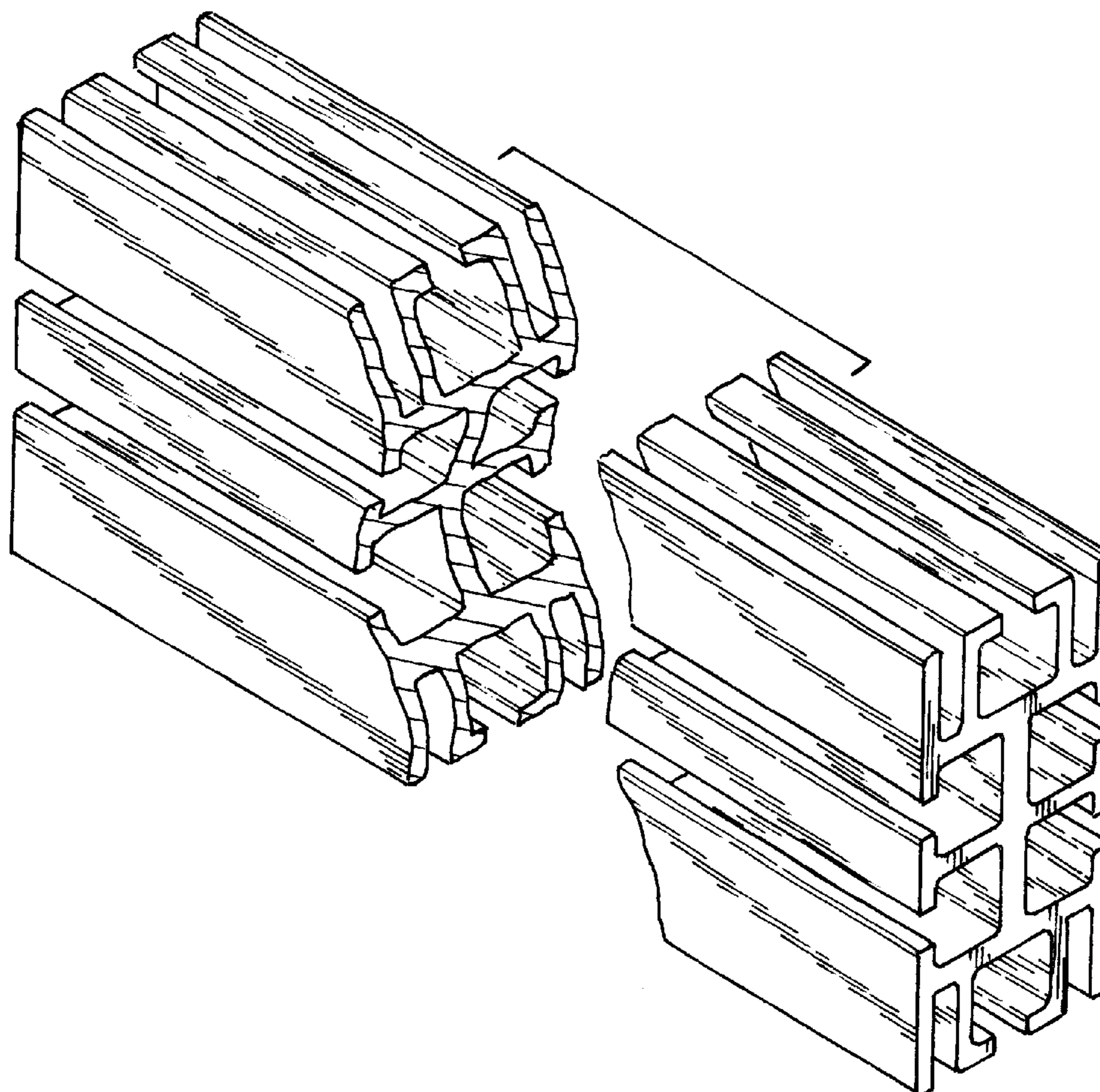
FIG. 4 is an end elevational view thereof, the opposite end being a mirror image thereof.

(56) **References Cited**

U.S. PATENT DOCUMENTS

D459,975 S * 7/2002 Dinh et al. D8/354

1 Claim, 2 Drawing Sheets



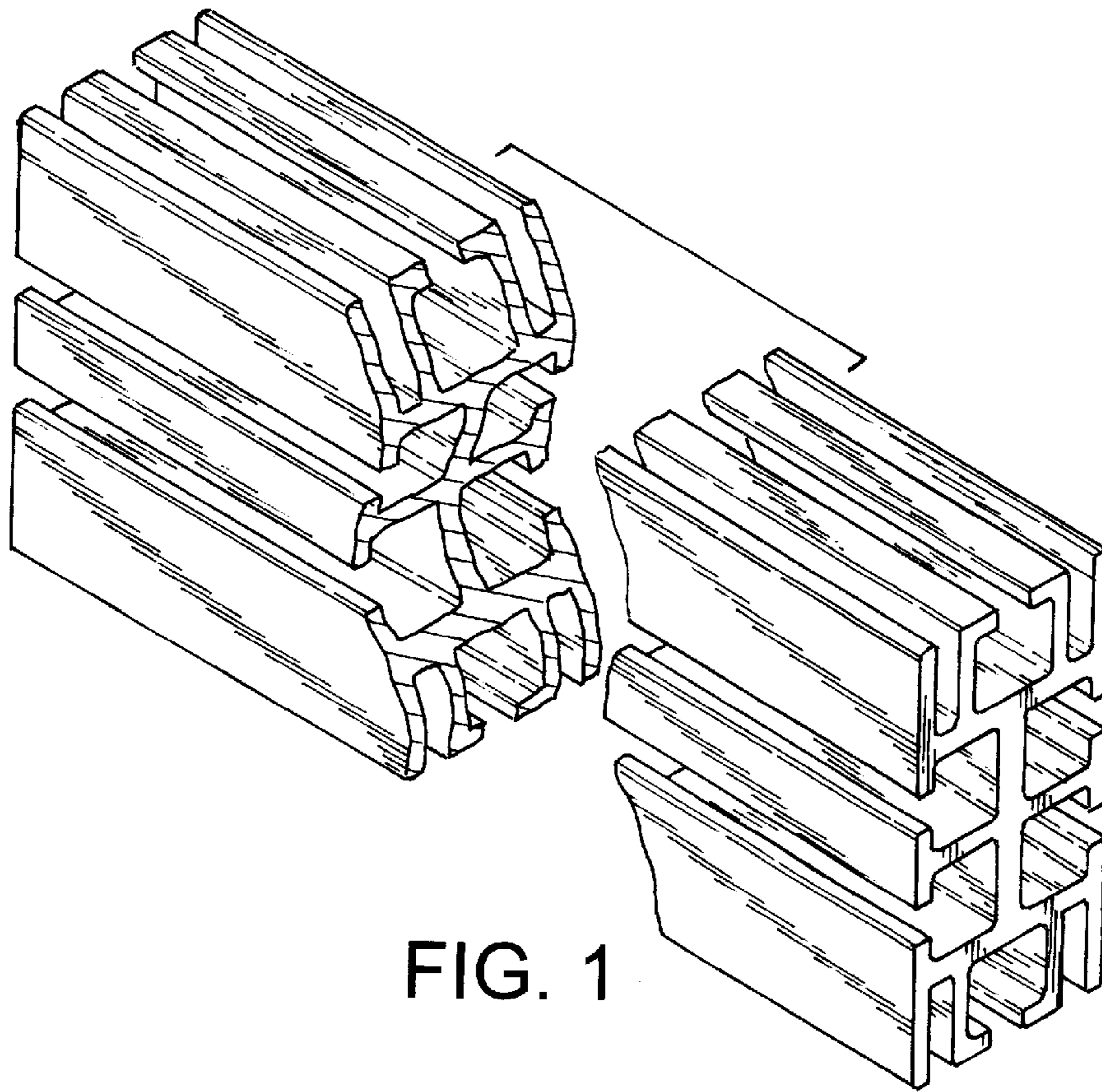


FIG. 1

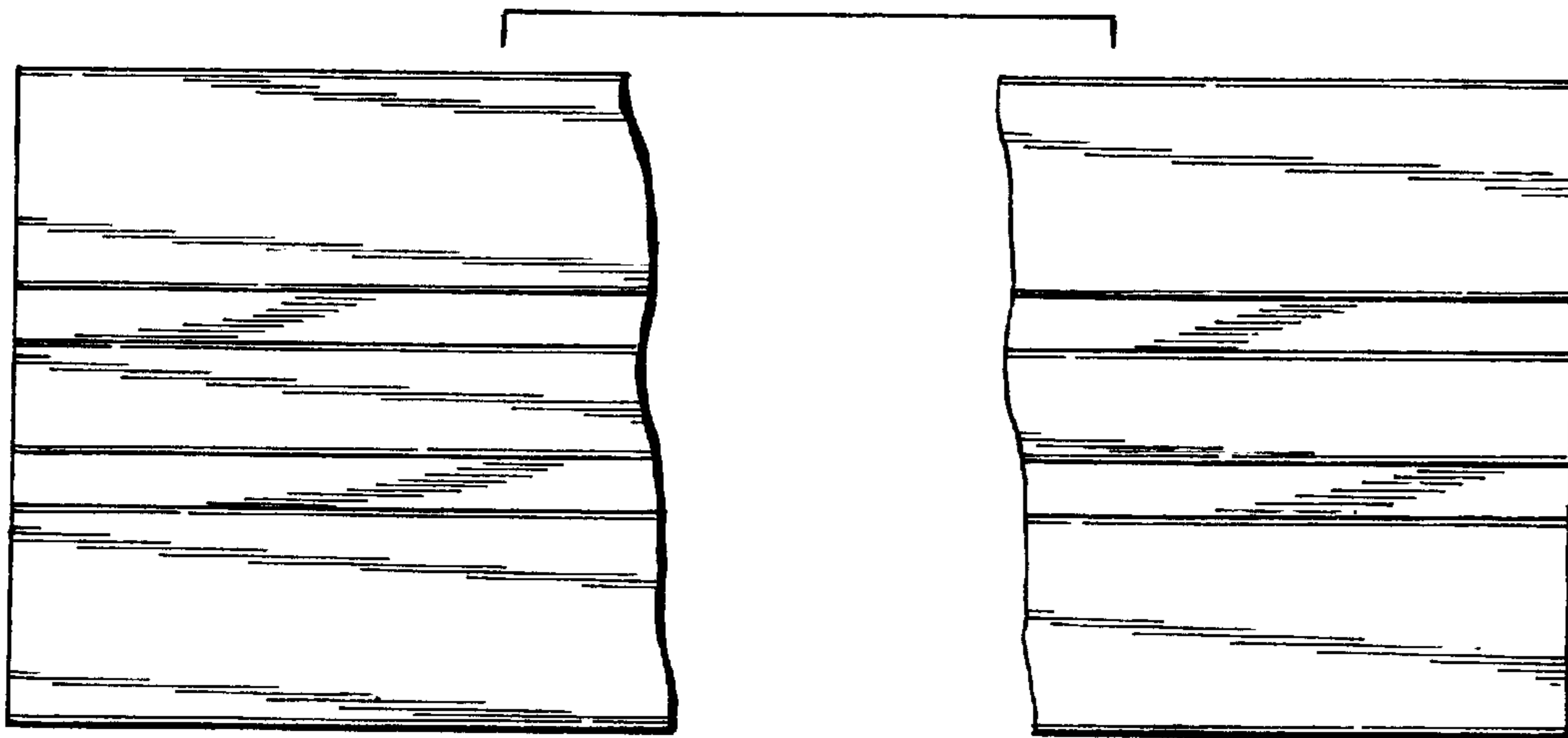


FIG. 2

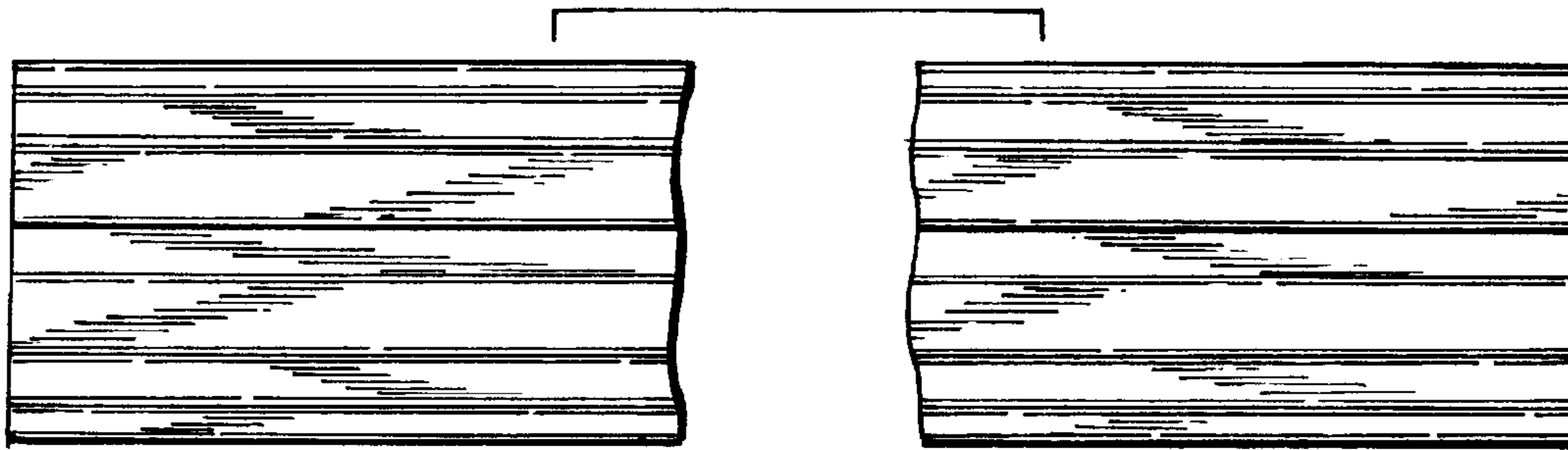


FIG. 3

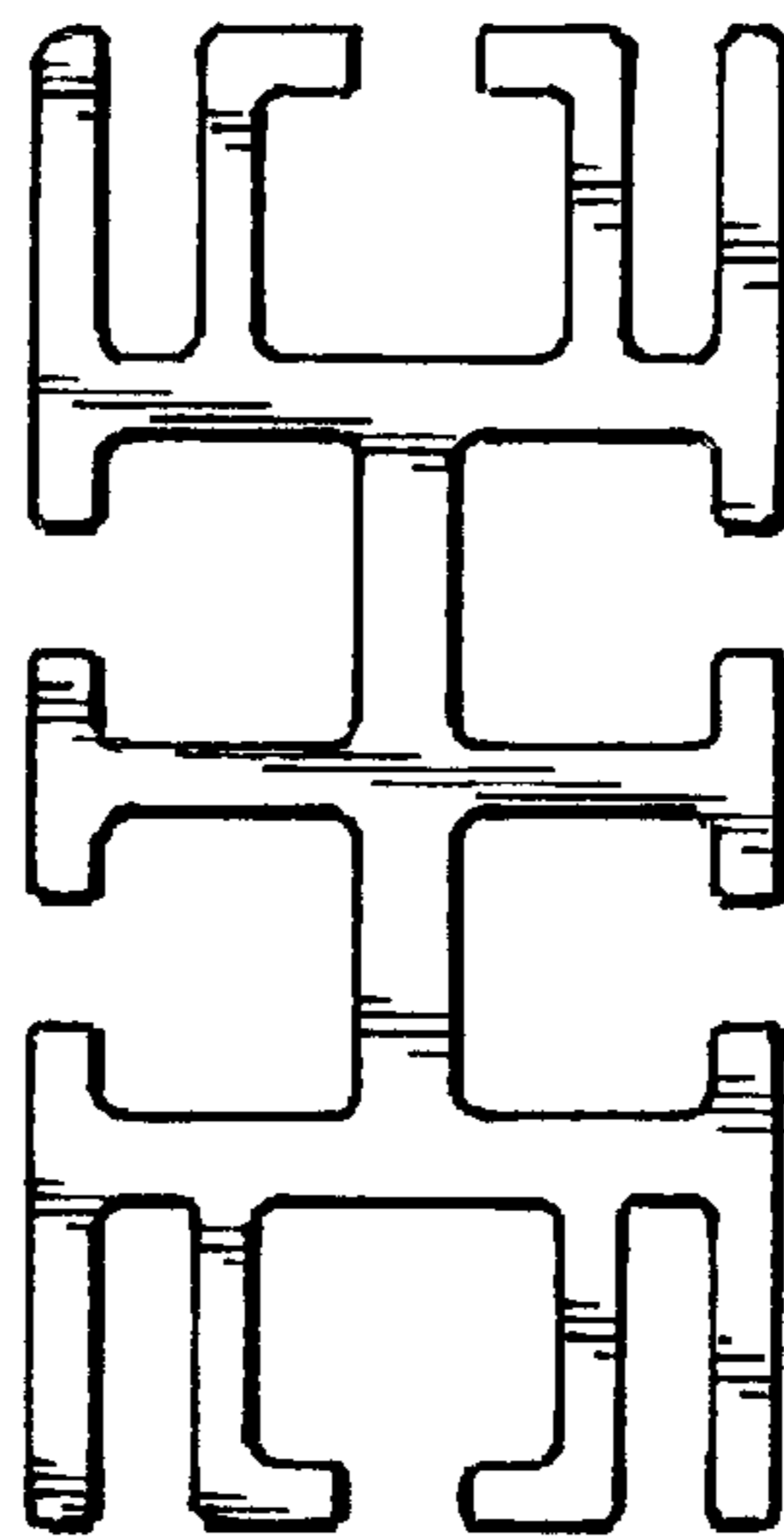


FIG. 4