



US00D526067S

(12) **United States Design Patent**  
**Rainey**

(10) **Patent No.:** **US D526,067 S**

(45) **Date of Patent:** **\*\* Aug. 1, 2006**

(54) **BLOCK DESIGN FOR RETAINING WALL**

6,062,772 A \* 5/2000 Perkins ..... 405/284

6,536,994 B1 3/2003 Race ..... 405/262

6,709,201 B1 3/2004 Race ..... 405/262

(75) Inventor: **Thomas L. Rainey**, Marietta, GA (US)

(73) Assignee: **Earth Reinforcement Technologies, LLC**, Woodstock, GA (US)

\* cited by examiner

*Primary Examiner*—Robert A. Delehanty

(74) *Attorney, Agent, or Firm*—Thomas, Kayden, Horstemeyer & Risley LLP

(\*\*) Term: **14 Years**

(21) Appl. No.: **29/237,374**

(57) **CLAIM**

(22) Filed: **Aug. 30, 2005**

The ornamental design of a block design for retaining wall, as shown and described.

(51) **LOC (8) Cl.** ..... **25-01**

(52) **U.S. Cl.** ..... **D25/114**

(58) **Field of Classification Search** ..... D25/112–115, D25/118; D21/484–485, 489–490, 499–502; 405/15–16, 33, 35, 284–286; 404/29–30, 404/34, 37, 42; 52/503–504, 575, 596–599, 52/603–605, 608, 612  
See application file for complete search history.

**DESCRIPTION**

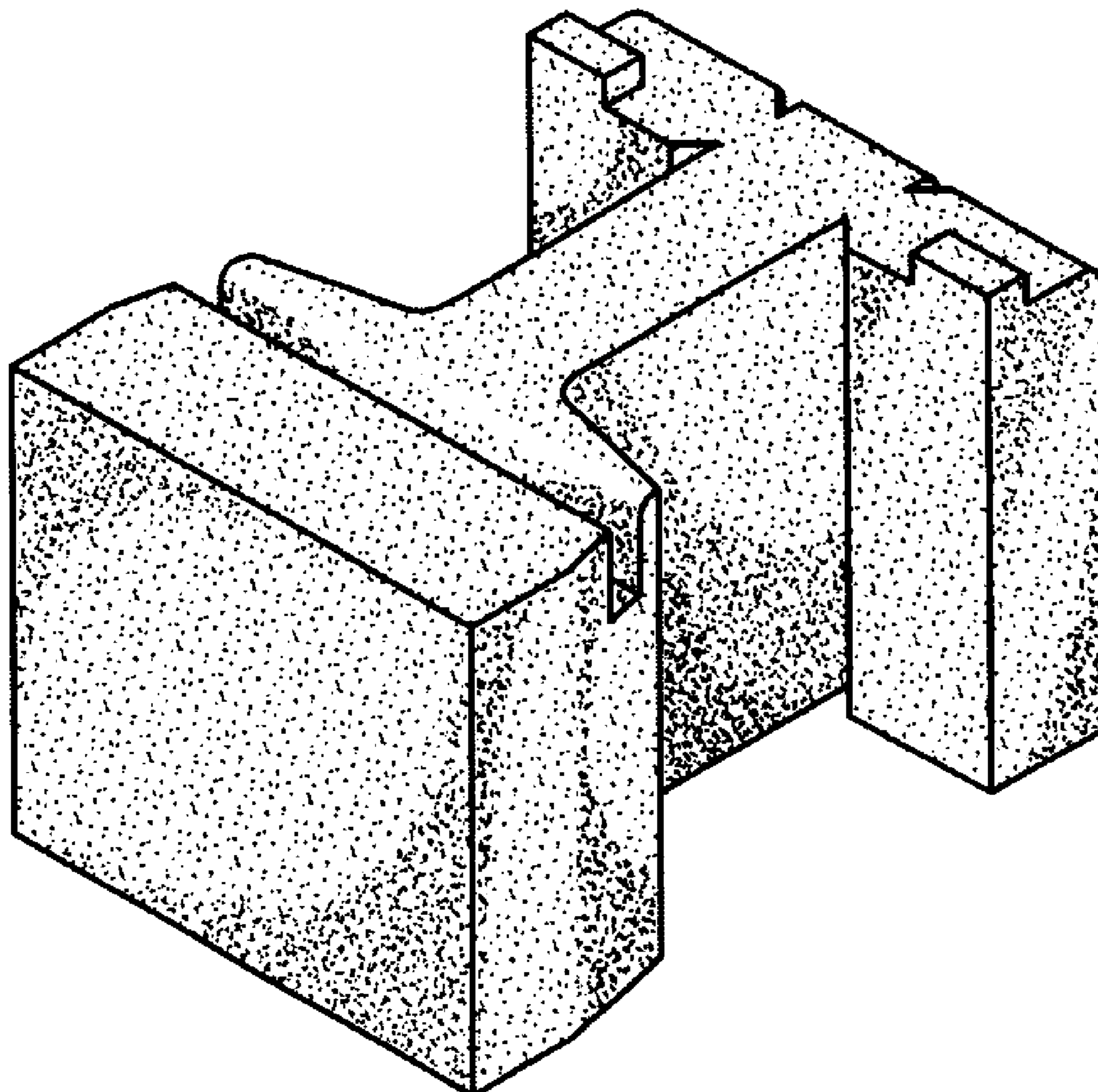
FIG. 1 is a perspective view showing my new block design for retaining wall;  
FIG. 2 is a right side view thereof; the left side view thereof being a mirror image of that which is shown;  
FIG. 3 is a front view thereof,  
FIG. 4 is a rear view thereof;  
FIG. 5 is a top view thereof; and,  
FIG. 6 is a bottom view thereof.

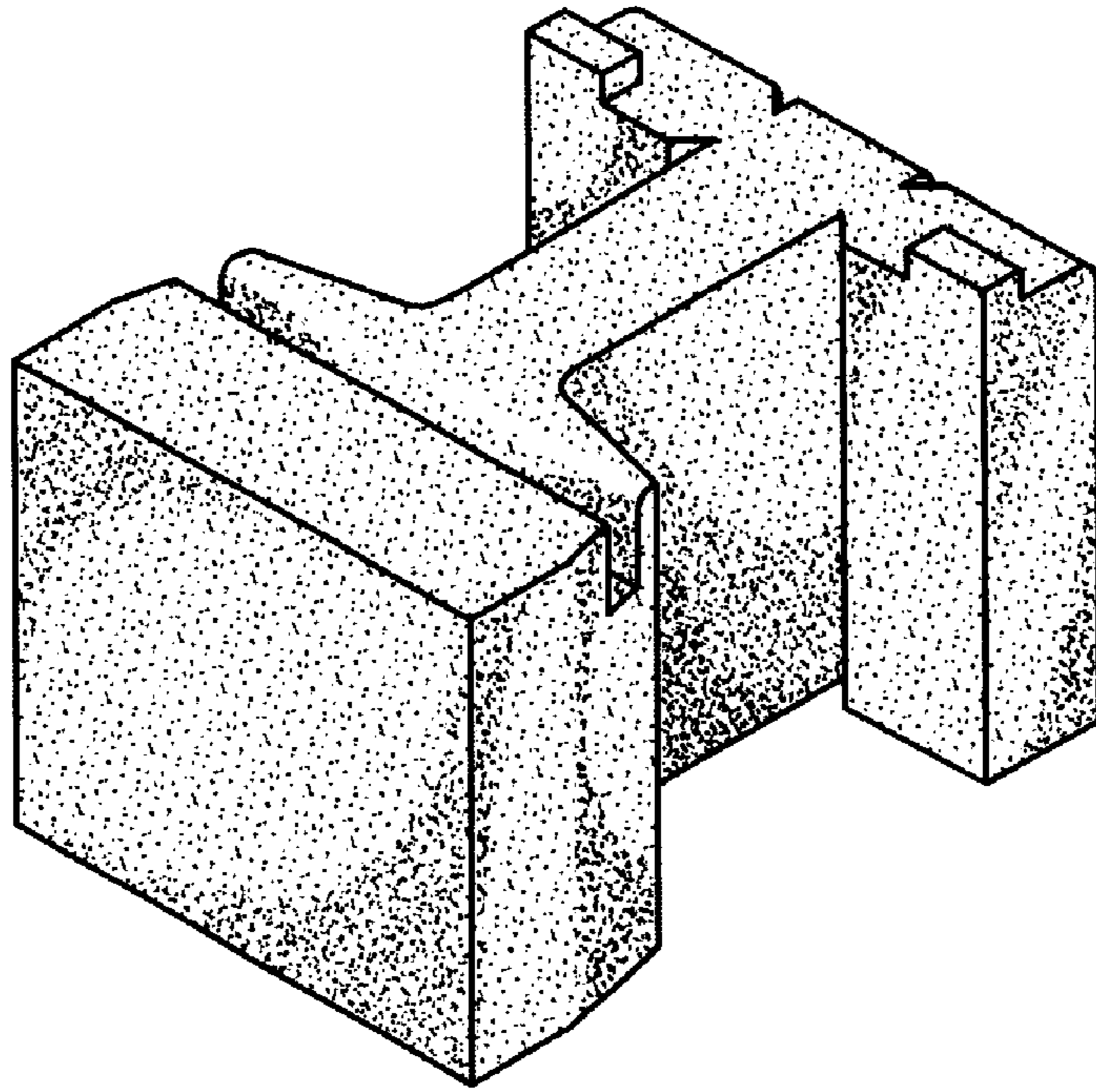
(56) **References Cited**

**U.S. PATENT DOCUMENTS**

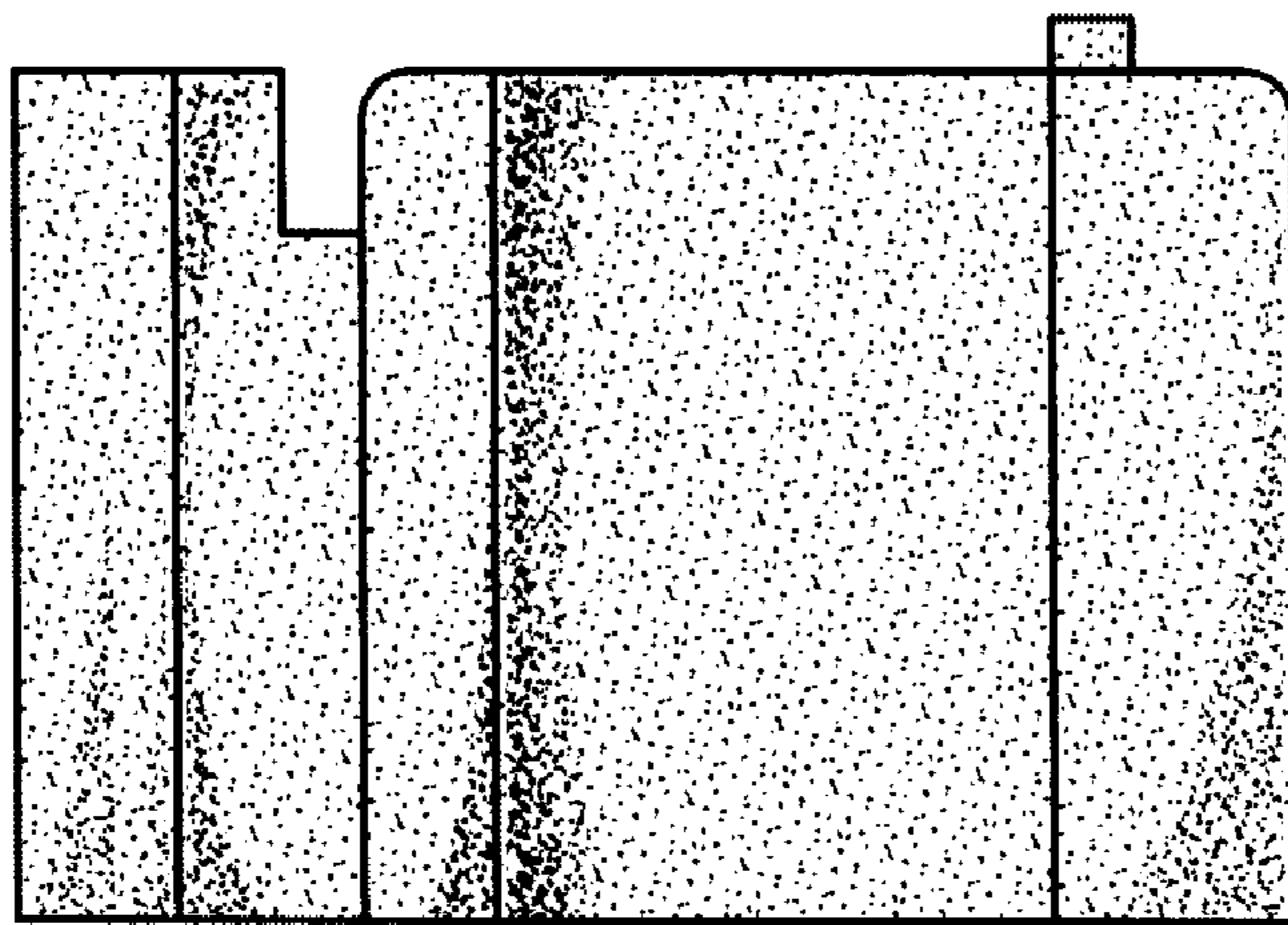
5,820,305 A \* 10/1998 Taylor et al. .... 405/286

**1 Claim, 2 Drawing Sheets**



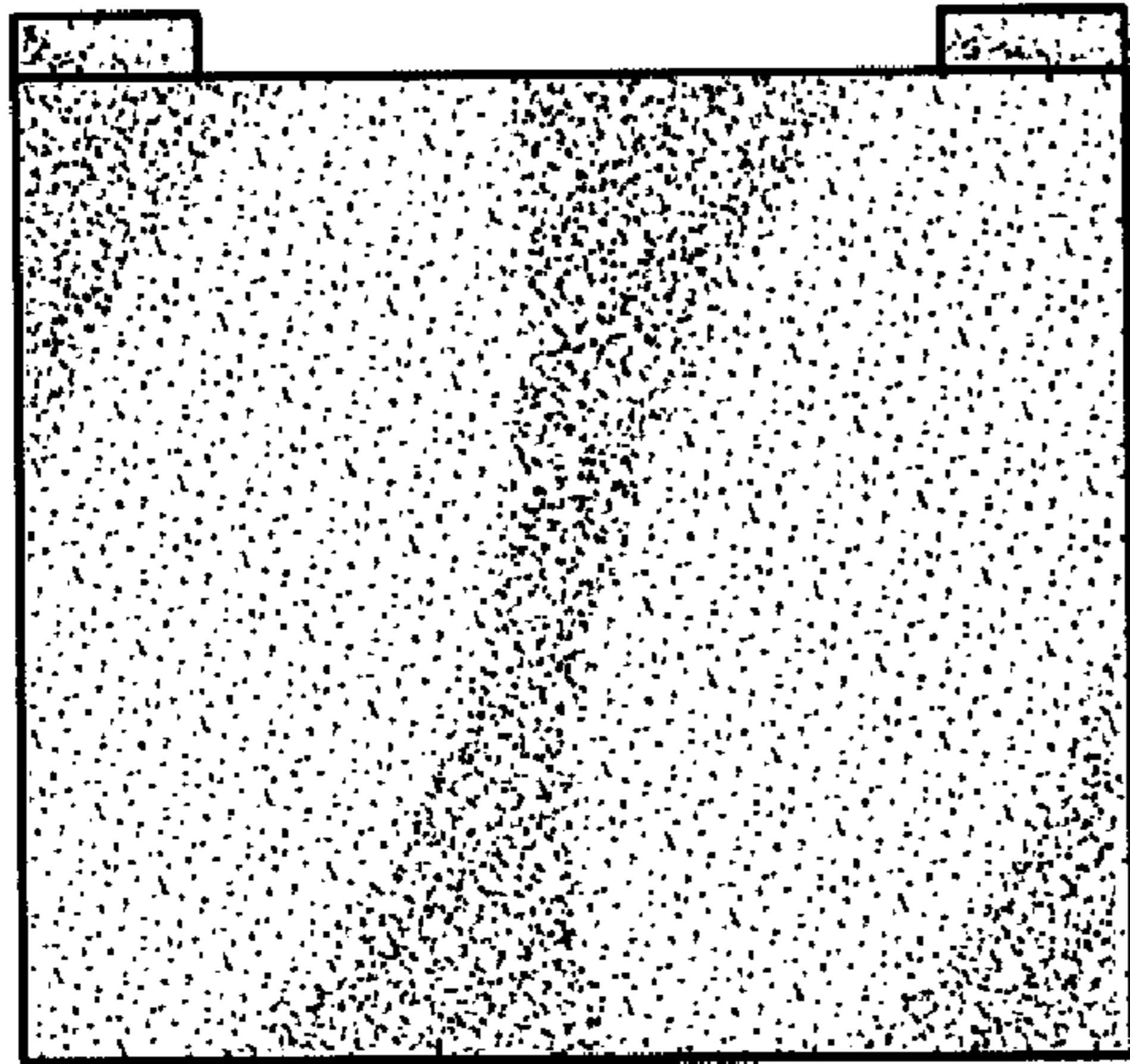


*Fig. 1*

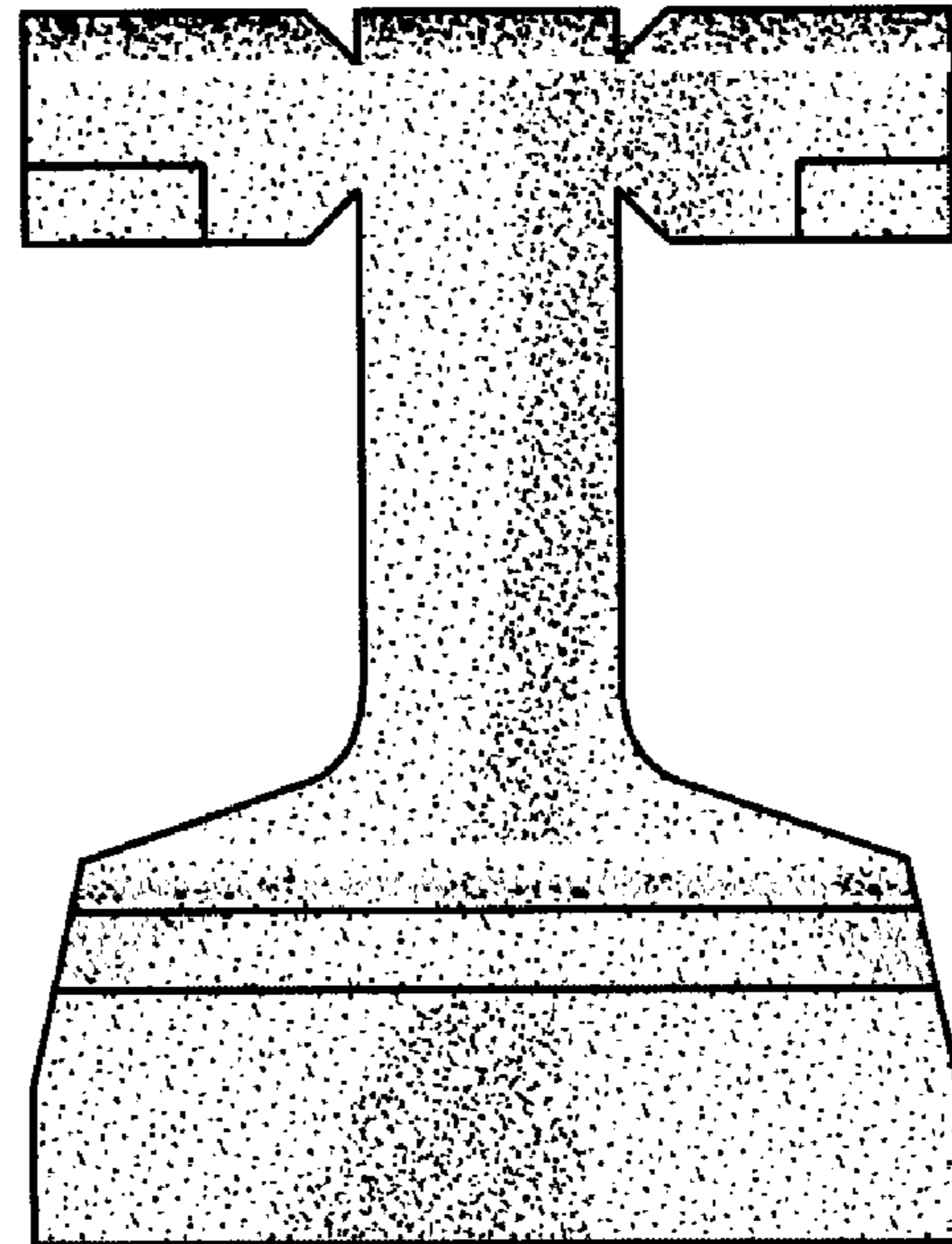


*Fig. 2*

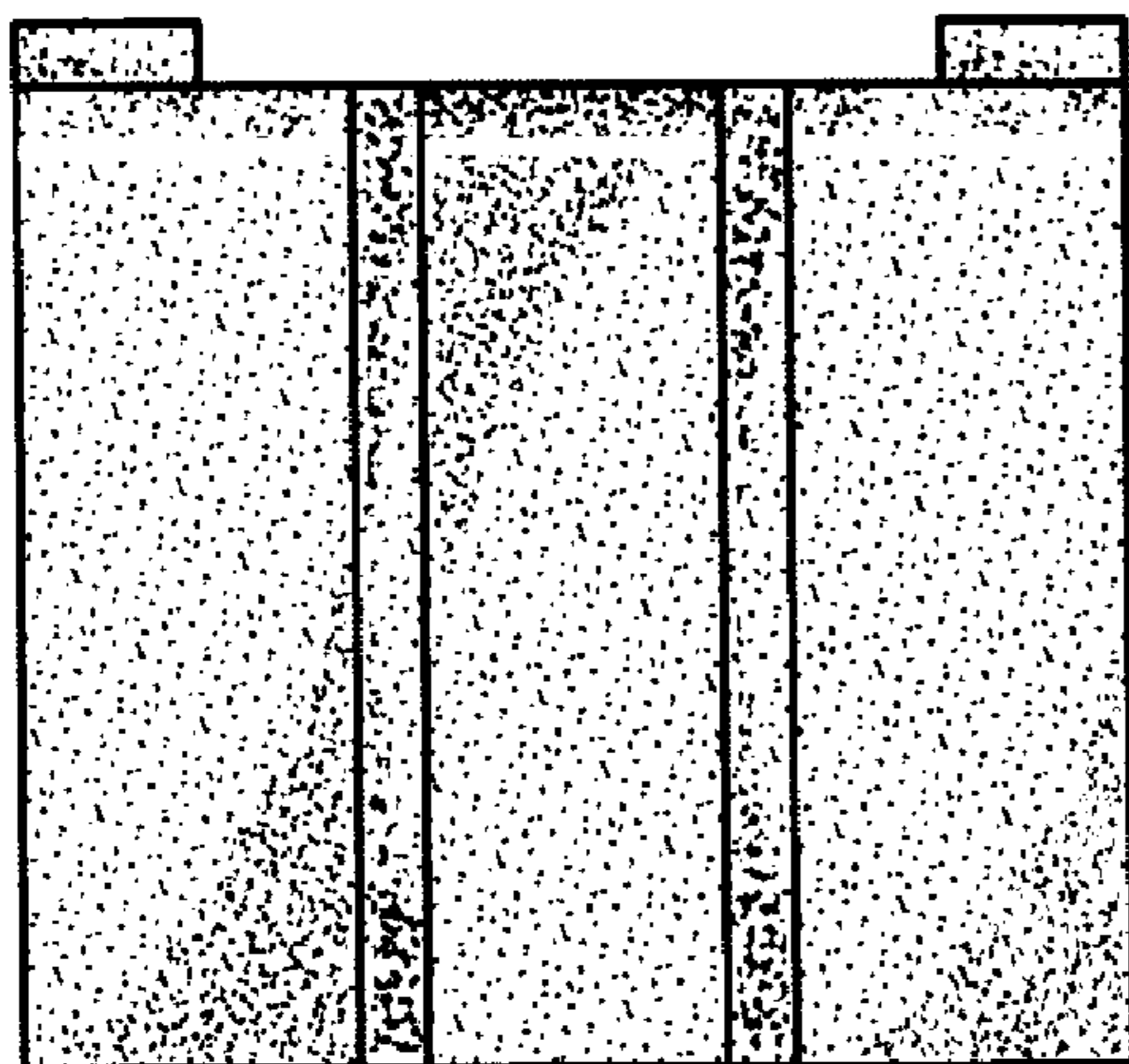




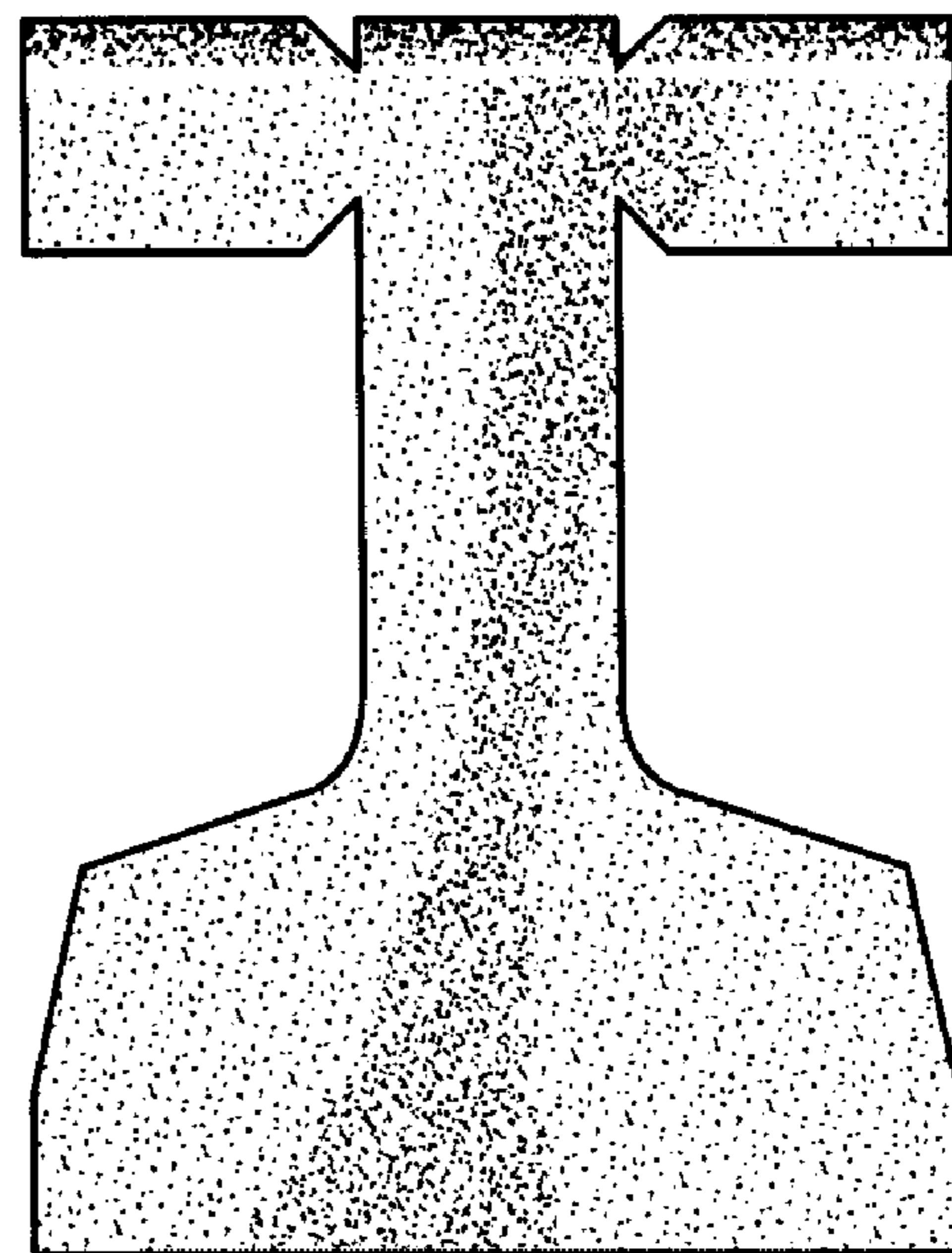
*Fig. 3*



*Fig. 5*



*Fig. 4*



*Fig. 6*