

US00D526060S

(12) **United States Design Patent**  
**Young**

(10) **Patent No.:** **US D526,060 S**

(45) **Date of Patent:** **\*\* Aug. 1, 2006**

(54) **CEILING FAN HOUSING**

(75) Inventor: **Stanfield Young**, Los Alamitos, CA (US)

(73) Assignee: **Minka Lighting, Inc.**, Corôna, CA (US)

(\*\*) Term: **14 Years**

(21) Appl. No.: **29/235,358**

(22) Filed: **Aug. 1, 2005**

(51) **LOC (8) Cl.** ..... **23-04**

(52) **U.S. Cl.** ..... **D23/411**

(58) **Field of Classification Search** ..... D23/411,  
D23/377, 379, 385, 413; 416/5

See application file for complete search history.

(56) **References Cited**

U.S. PATENT DOCUMENTS

D321,935 S	11/1991	Ignon	
D323,028 S	* 1/1992	Holbrook	..... D23/377
5,462,407 A	10/1995	Calvo	
D393,902 S	4/1998	Pickett	
D435,289 S	12/2000	Liu	
D435,900 S	1/2001	Dye	
D483,474 S	12/2003	Young	
D514,216 S	* 1/2006	Hidalgo	..... D23/377

OTHER PUBLICATIONS

Hampton Bay Ceiling Fans Catalog; vol. 1; Spring/Summer 2004; p. 38.

Minka Lighting, Inc.; MinkaAire 2004 Catalog; pp. 52–53.

Minka Lighting, Inc.; MinkaAire 2005 Catalog; Jan. 2005; pp. 78–79.

Lamps Plus Internet Catalog; Casablanca Ventura II, Model #89125–57276; www.lampsplus.com.

Casablanca Internet Catalog; Malibu Star; Model #23B002; www.casablancafanco.com.

Casablanca Internet Catalog; Avalon Blade System; Model #B31B; www.casablancafanco.com.

Monte Carlo Internet Catalog; Vera Cruz; Model #VC5B06, 5VC0P, 5VCFB, 5VC0C, 5VCWH.

Kichler Internet Catalog; Nautical Sail; Model #35025; printed from www.lowes.com.

Emerson Internet Catalog; Maui Bay; from www.ceiling-fanoutlet.com.

Fanimation Internet Catalog; Islander; from www.ceiling-fanoutlet.com.

\* cited by examiner

*Primary Examiner*—Lisa Lichtenstein

(74) *Attorney, Agent, or Firm*—Baker & McKenzie LLP

(57) **CLAIM**

The ornamental design for a ceiling fan housing, as shown and described.

**DESCRIPTION**

FIG. 1 is a perspective view from below of a ceiling fan housing in accordance with my design;

FIG. 2 is a top plan view of the ceiling fan housing in accordance with my design;

FIG. 3 is a bottom plan view of the ceiling fan housing in accordance with my design;

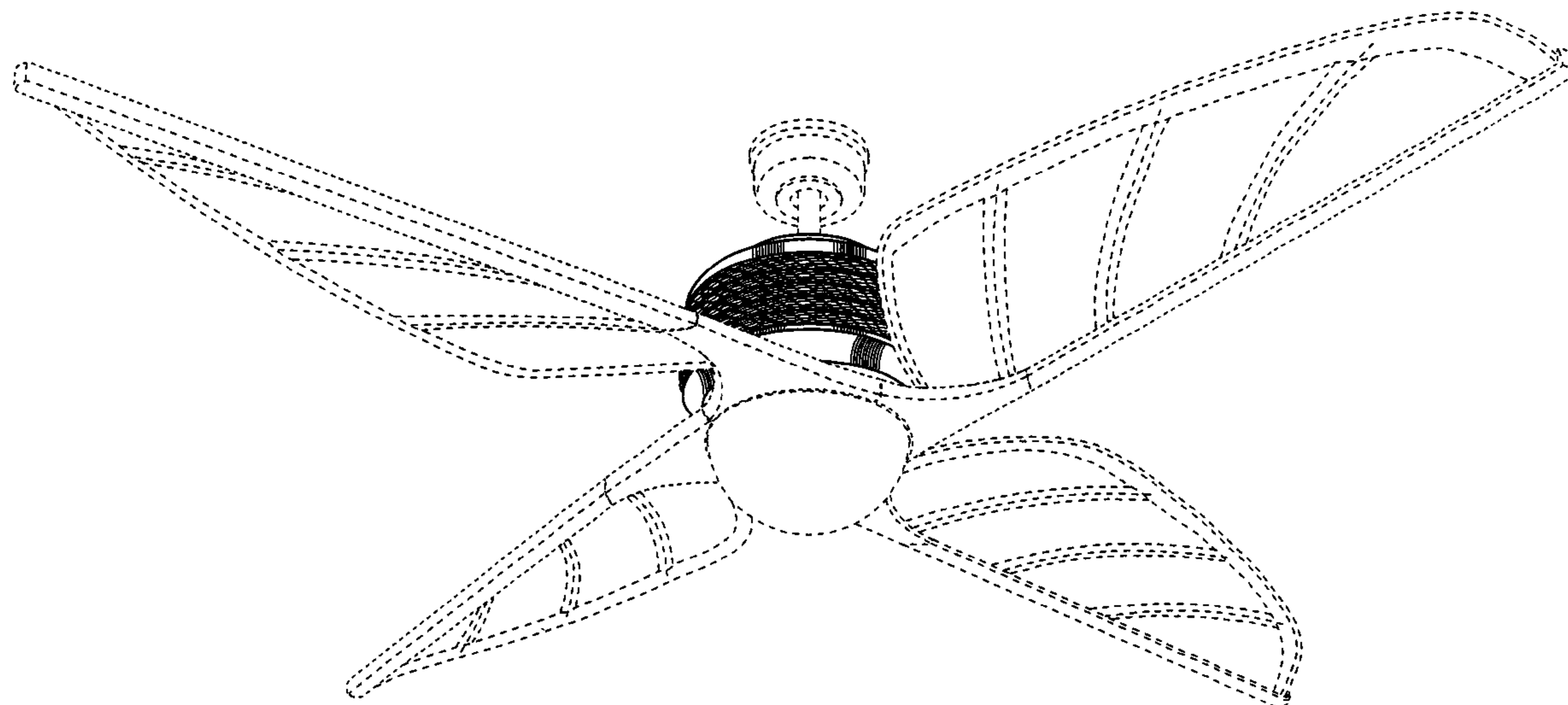
FIG. 4 is a front elevation view of the ceiling fan housing in accordance with my design; and,

FIG. 5 is a side elevation view of the ceiling fan housing in accordance with my design, the opposite side being a mirror image of that shown.

FIGS. 4 and 5 are identical except for the positioning of the fan blades.

The broken lines showing environmental structure are for illustrative purposes and form no part of the claimed invention.

**1 Claim, 5 Drawing Sheets**



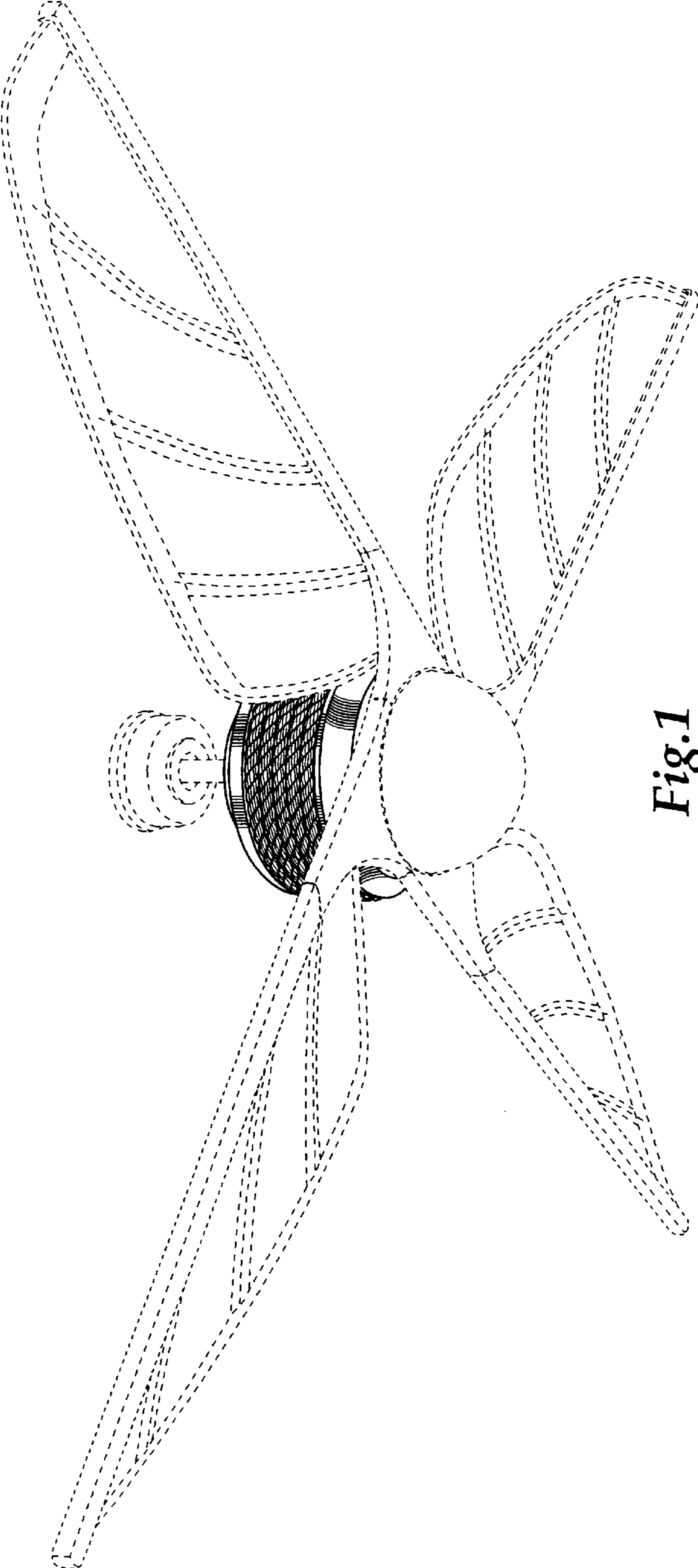
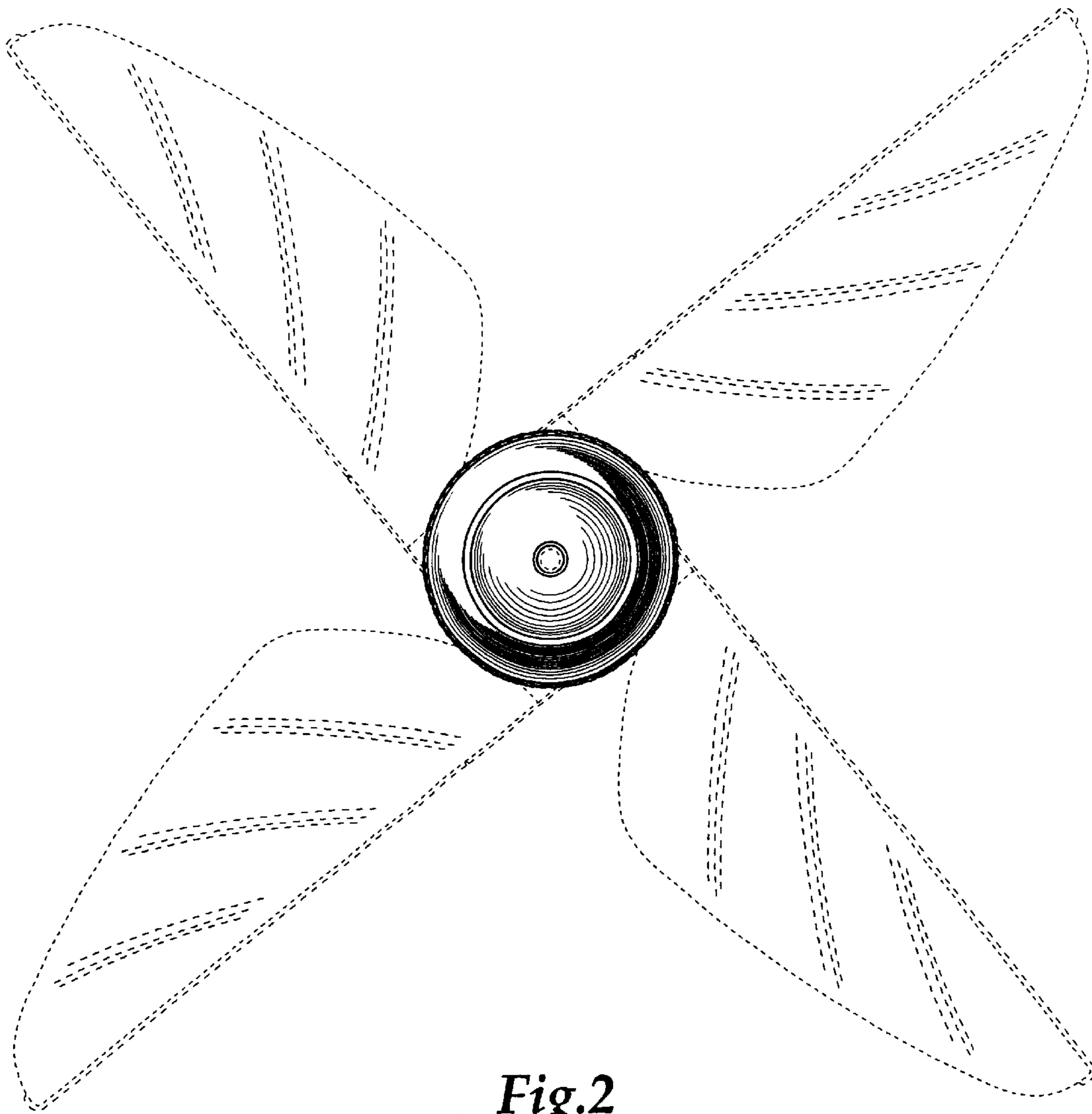
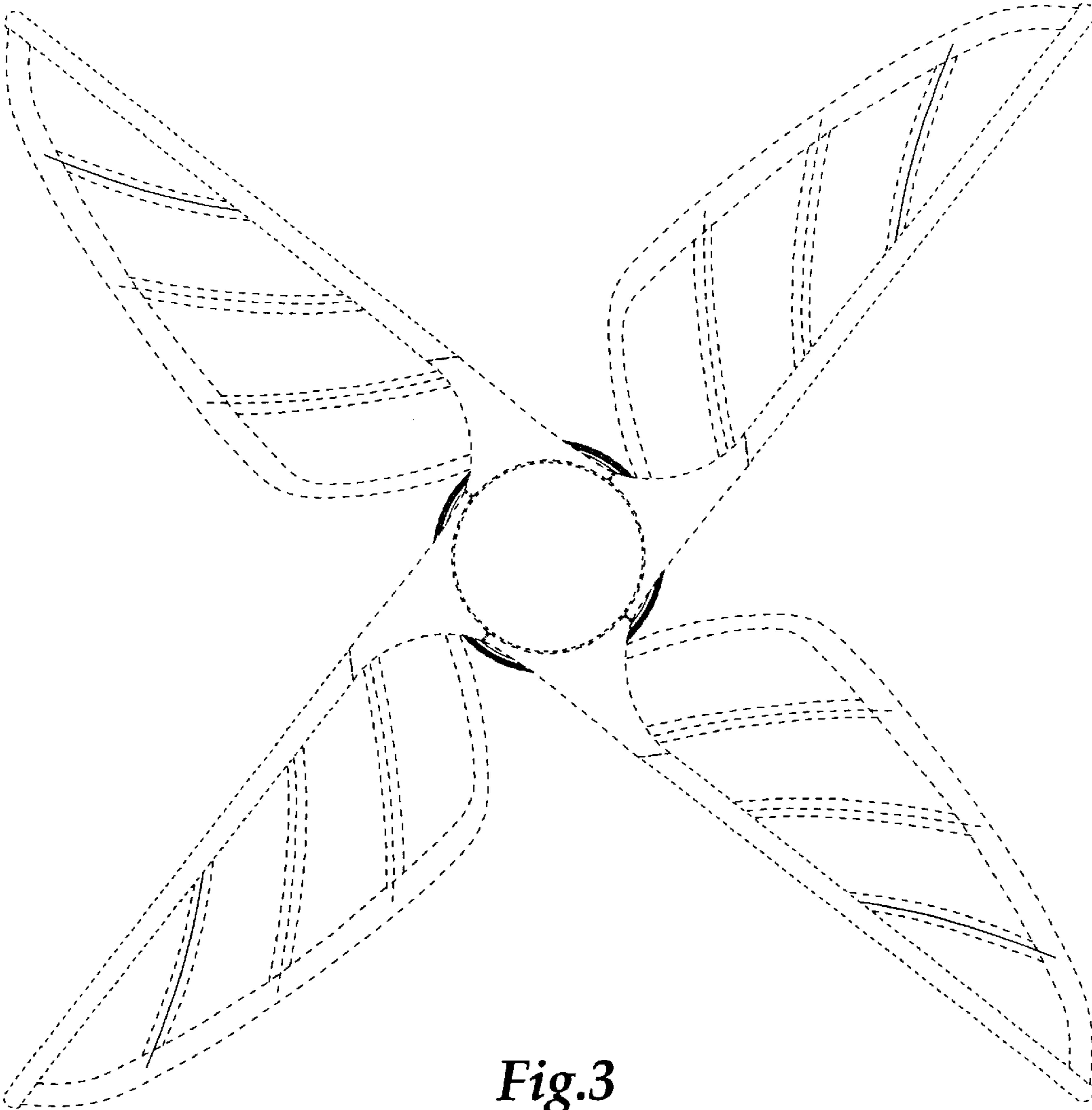


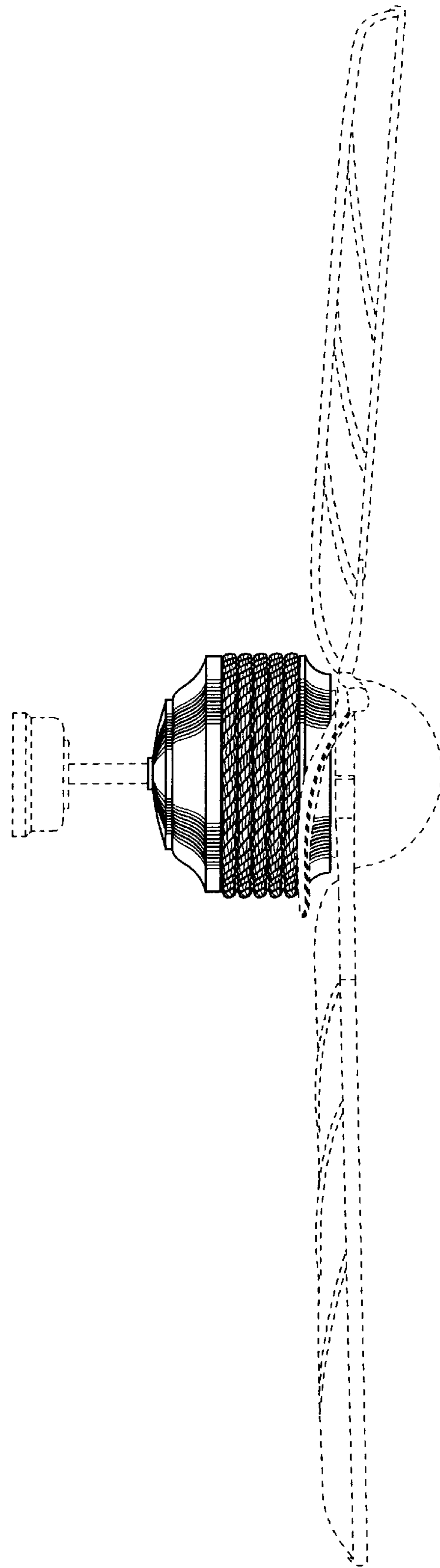
Fig. 1



*Fig.2*



*Fig.3*



*Fig.4*



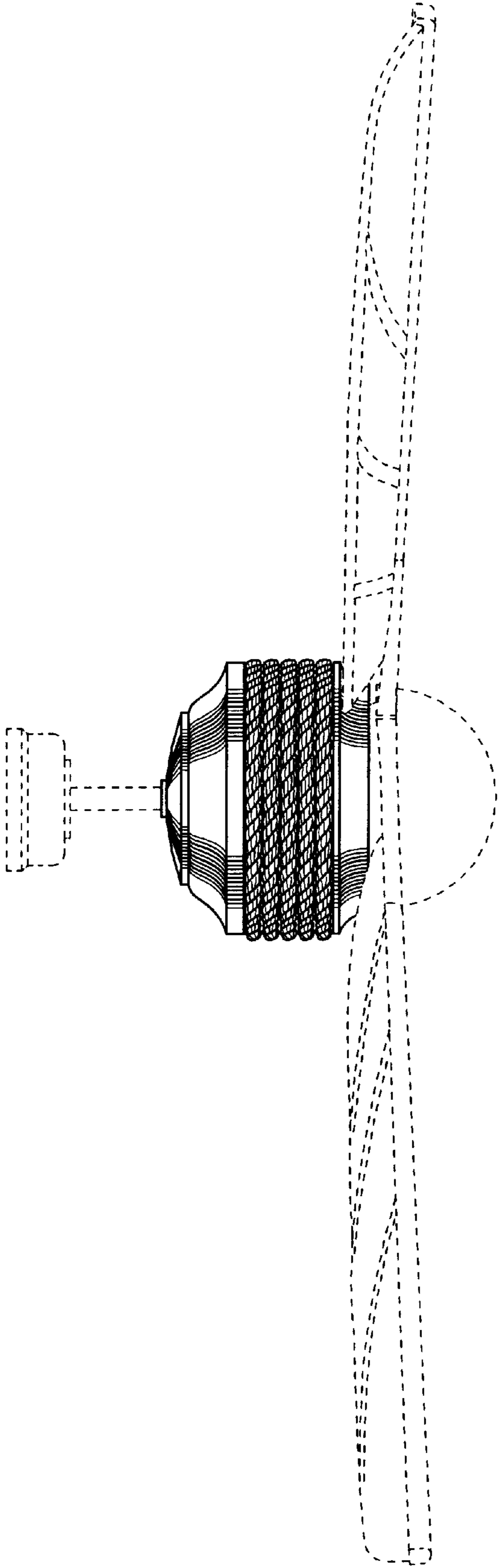


Fig.5