



US00D526056S

(12) **United States Design Patent**
Arnold

(10) **Patent No.:** **US D526,056 S**

(45) **Date of Patent:** **** Aug. 1, 2006**

- (54) **DOUBLE-BOWL SINK**
- (75) Inventor: **Don C. Arnold**, Libertyville, IL (US)
- (73) Assignee: **Franke Consumer Products, Inc.**,
Hatfield, PA (US)
- (**) Term: **14 Years**
- (21) Appl. No.: **29/211,527**
- (22) Filed: **Aug. 17, 2004**
- (51) **LOC (8) Cl.** **23-02**
- (52) **U.S. Cl.** **D23/290**
- (58) **Field of Classification Search** D23/270–273,
D23/284–286, 292–293.1, 303, 290, 308;
4/662–666, 619, 637–642, 661
See application file for complete search history.

- D353,880 S 12/1994 Hauser, II
- D353,881 S 12/1994 Roach
- D355,023 S 1/1995 Kolada
- D355,949 S 2/1995 Laughton
- D380,529 S 7/1997 Laughton
- D389,230 S 1/1998 Johnson
- D395,699 S 6/1998 Hundley
- D398,970 S 9/1998 Gardner et al.
- D401,310 S 11/1998 Chang
- D402,014 S 12/1998 Chang
- D427,670 S 7/2000 Svendsen et al.
- D428,975 S 8/2000 Arnold et al.
- D430,925 S 9/2000 Svendsen et al.
- D445,883 S 7/2001 Svendsen et al.
- D450,374 S 11/2001 Svendsen et al.
- D451,585 S 12/2001 Svendsen et al.

(Continued)

OTHER PUBLICATIONS

American Standard: cutsum line™ double bowl sink, item # SPS 7022, Feb. 1993.*
Kohler: Brookfield sink, item #K-5942, 1976.*

Primary Examiner—Robert A. Delehanty
(74) *Attorney, Agent, or Firm*—Wood, Phillips, Katz, Clark & Mortimer

(56) **References Cited**

U.S. PATENT DOCUMENTS

- 2,447,788 A 8/1948 Ball
- 2,584,860 A 2/1952 Galley
- D192,493 S 4/1962 Lyon, Jr.
- D193,464 S 8/1962 Hauser
- D198,305 S 6/1964 Graning, Jr.
- D234,201 S 1/1975 Stairs, Jr.
- D234,464 S 3/1975 Stairs, Jr.
- D259,439 S 6/1981 Doman
- D295,068 S 4/1988 Kohler et al.
- D297,162 S 8/1988 Mück et al.
- D297,163 S 8/1988 Blanc et al.
- D298,163 S 10/1988 Downs
- D318,104 S 7/1991 Blanc et al.
- D319,302 S 8/1991 Ris
- D323,878 S 2/1992 Sauter et al.
- D323,879 S 2/1992 Sauter
- D324,097 S 2/1992 Evatt et al.
- D324,264 S 2/1992 Sauter et al.
- D324,908 S 3/1992 Sauter et al.
- D324,909 S 3/1992 Sauter et al.
- D325,246 S 4/1992 Sauter et al.
- D328,339 S 7/1992 Sauter et al.
- D352,771 S 11/1994 Walsh et al.
- D353,879 S 12/1994 Hauser, II

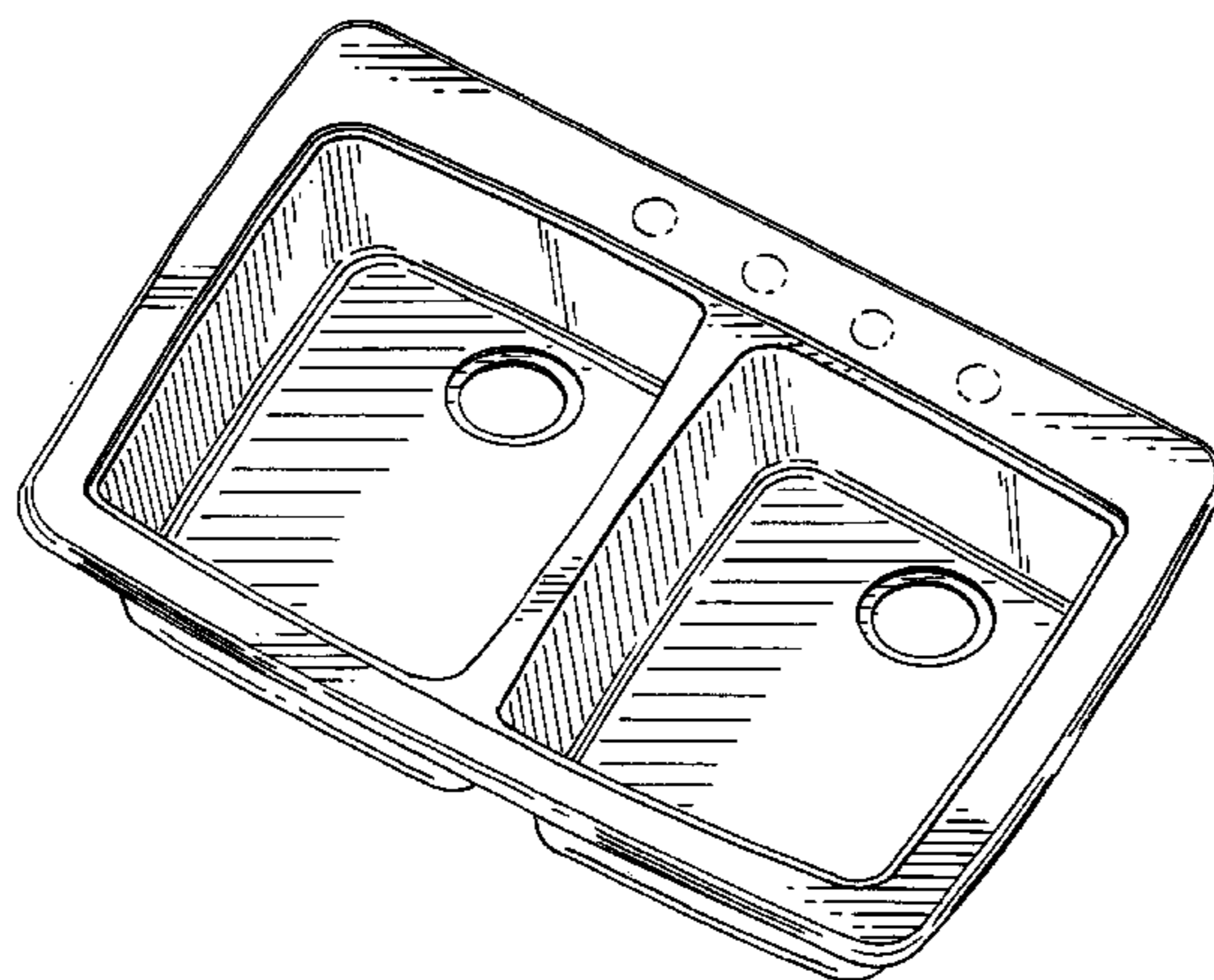
(57) **CLAIM**

The ornamental design for a double-bowl sink, as shown and described.

DESCRIPTION

FIG. 1 is a perspective view taken from the top, front, and right side of a double-bowl sink showing my new design; FIG. 2 is a top plan thereof; FIG. 3 is a front elevation thereof; and, FIG. 4 is an elevation of the right side thereof, the left side thereof being a mirror image of the right side thereof. The underside of the sink shown in the accompanying drawings is not ornamental. Broken-line showings of openings for mounting of faucets, spray nozzles, or other fittings are for illustrative purposes only and form no part of my claimed design.

1 Claim, 2 Drawing Sheets



US D526,056 S

Page 2

U.S. PATENT DOCUMENTS

D455,821 S 4/2002 Bayer et al.
D464,125 S 10/2002 Bayer et al.
D464,126 S 10/2002 Bayer et al.
D464,127 S 10/2002 Paredes et al.
D464,410 S 10/2002 Paredes et al.
D469,169 S 1/2003 Roberts

D470,229 S 2/2003 Roberts
D473,292 S 4/2003 Paredes
D478,970 S 8/2003 Ziemann et al.
D482,106 S 11/2003 Ziemann et al.
D494,258 S 8/2004 Arnold

* cited by examiner

FIG. 1

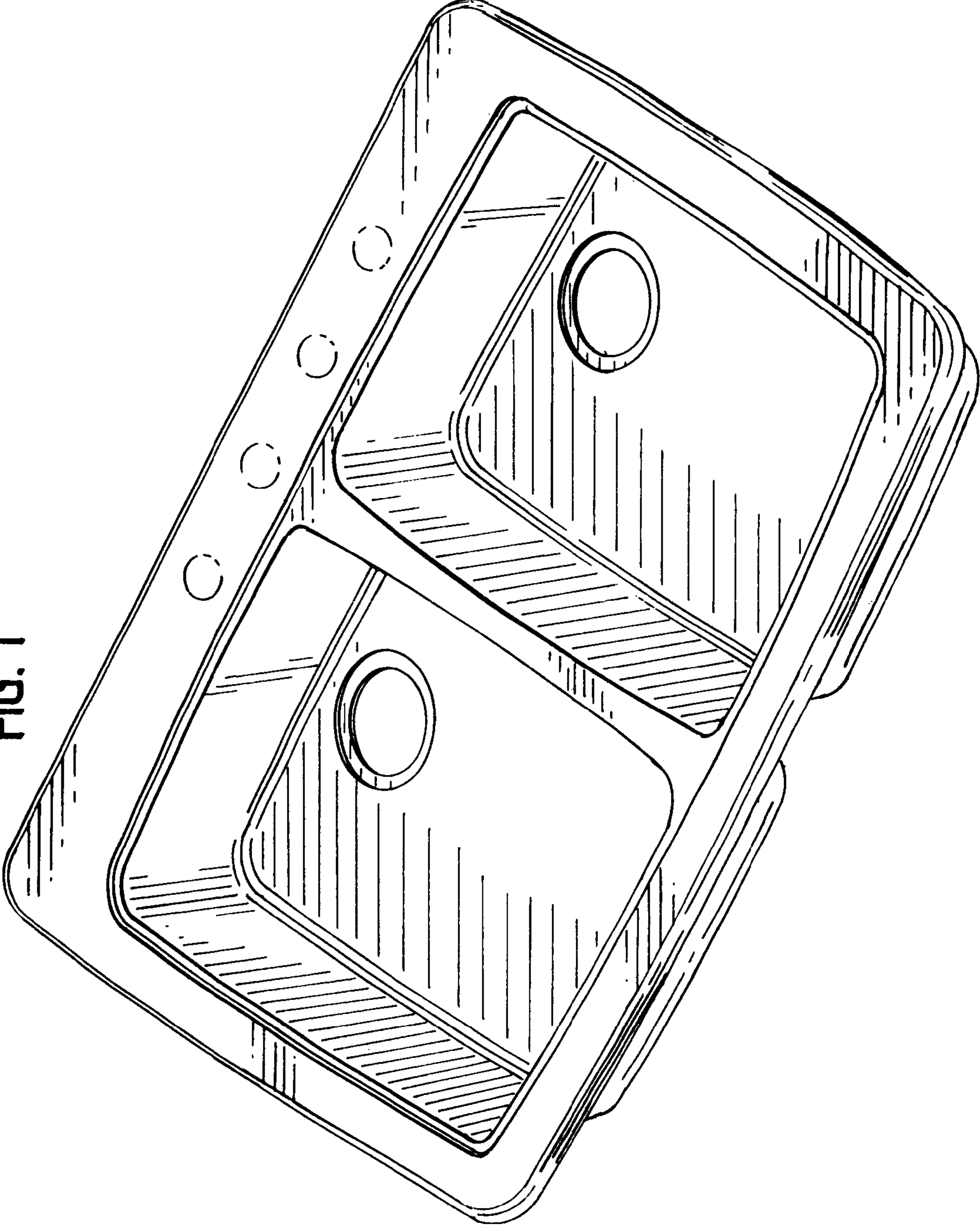


FIG. 2

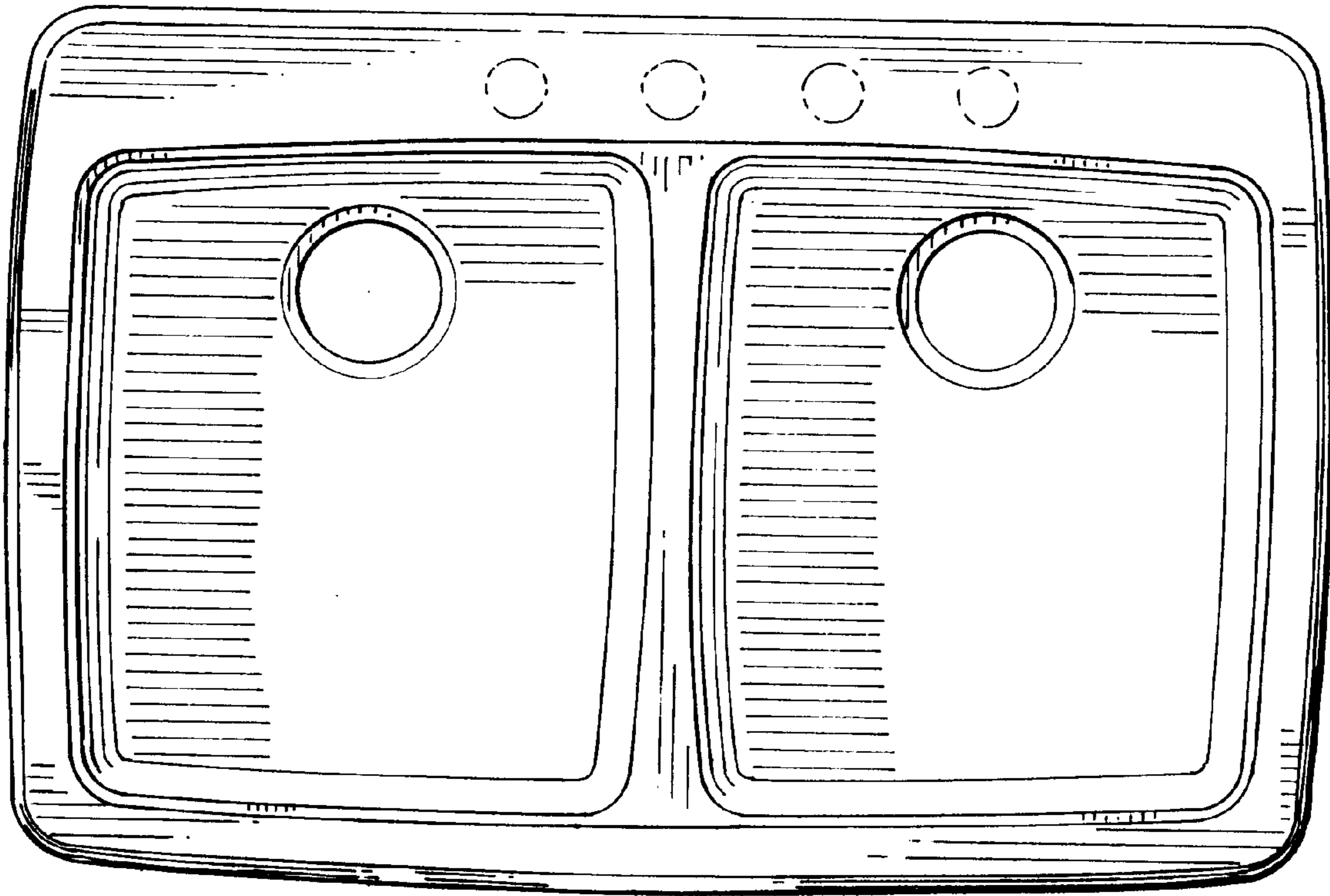


FIG. 3

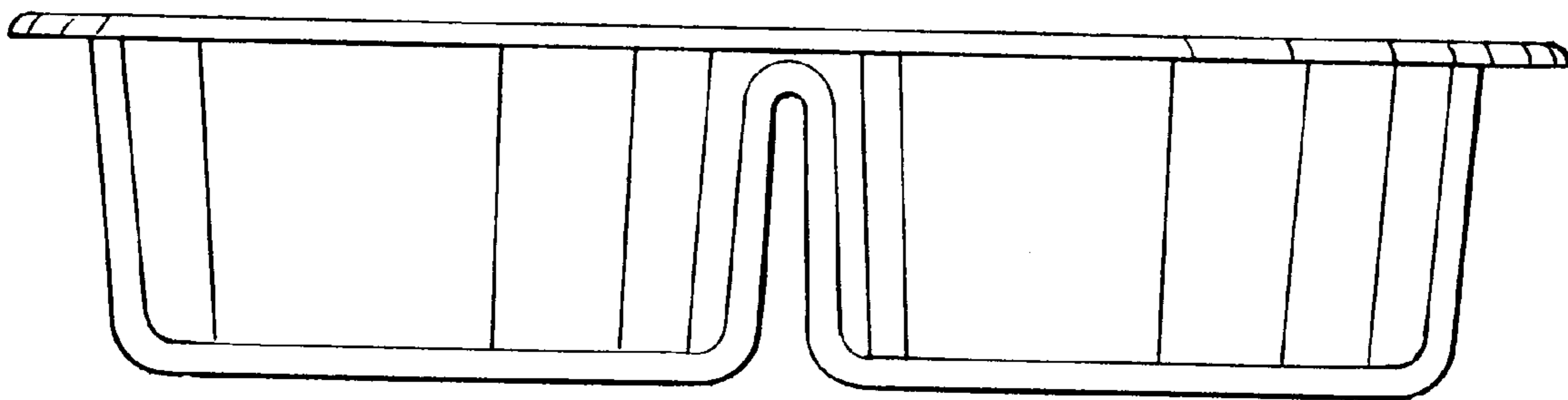


FIG. 4

