



US00D526048S

(12) **United States Design Patent**
Schaffeld et al.

(10) **Patent No.:** **US D526,048 S**

(45) **Date of Patent:** **** Aug. 1, 2006**

(54) **FAUCET ESCUTCHEON**

(75) Inventors: **John Schaffeld**, Marshfield, MA (US);
Steffen Koury, Charlestown, MA (US)

(73) Assignee: **Masco Corporation of Indiana**,
Indianapolis, IN (US)

(**) Term: **14 Years**

(21) Appl. No.: **29/220,007**

(22) Filed: **Dec. 23, 2004**

(51) **LOC (8) Cl.** **23-07**

(52) **U.S. Cl.** **D23/249**

(58) **Field of Classification Search** D23/238-257;
4/675-678; 137/801

See application file for complete search history.

(56) **References Cited**

U.S. PATENT DOCUMENTS

D260,677 S * 9/1981 Thevenot D23/249
D399,923 S * 10/1998 Ko D23/238

D404,119 S * 1/1999 Lord D23/239
D437,031 S * 1/2001 Nguyen et al. D23/238
D493,693 S * 8/2004 Lord D8/352

* cited by examiner

Primary Examiner—Louis S. Zarfes

Assistant Examiner—Gregory Andoll

(74) *Attorney, Agent, or Firm*—Kwadjo Adusei-Poku;
Lloyd D. Doigan

(57) **CLAIM**

The ornamental design for a faucet escutcheon, as shown and described.

DESCRIPTION

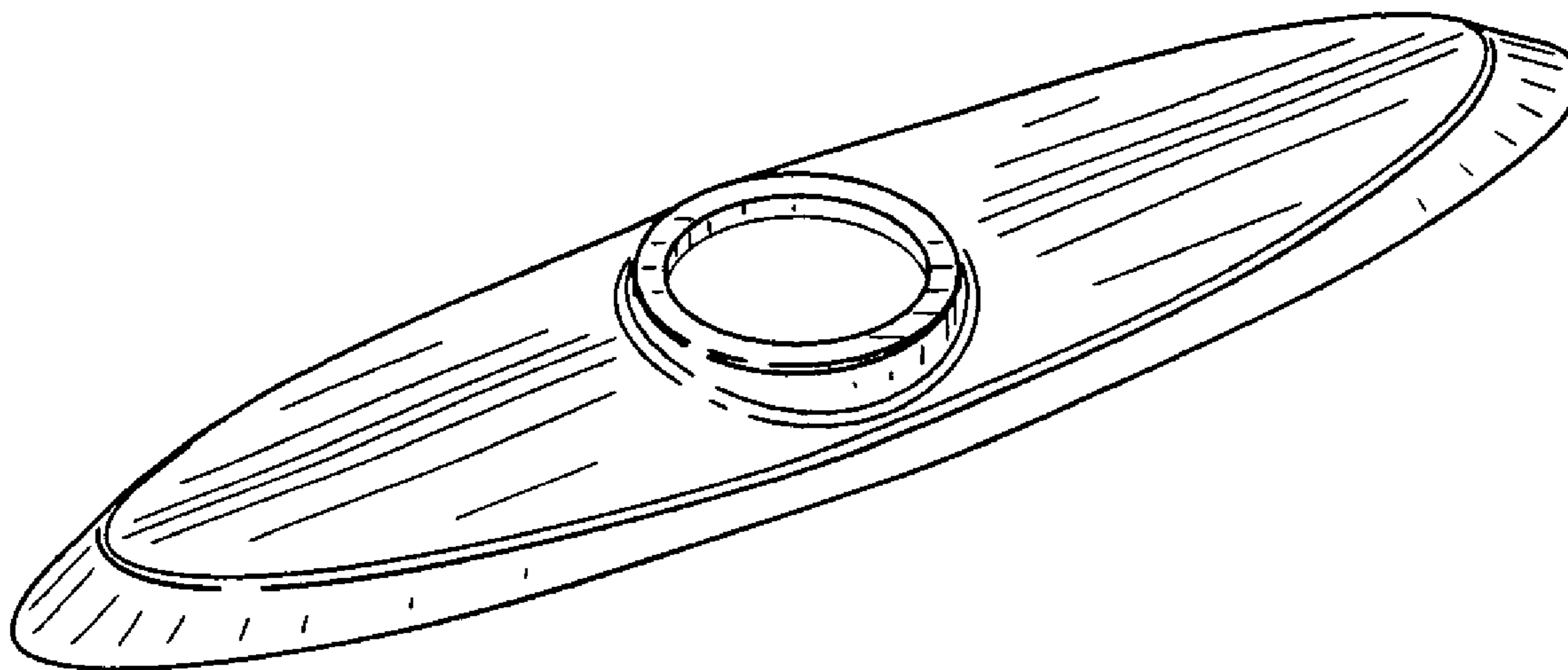
FIG. 1 is a front perspective view of a faucet escutcheon showing our design;

FIG. 2 is a front elevational view thereof; the rear elevational view being a mirror image thereof;

FIG. 3 is a right side elevational view, the left side elevational view being a mirror image thereof; and,

FIG. 4 is a top plan view thereof.

1 Claim, 4 Drawing Sheets



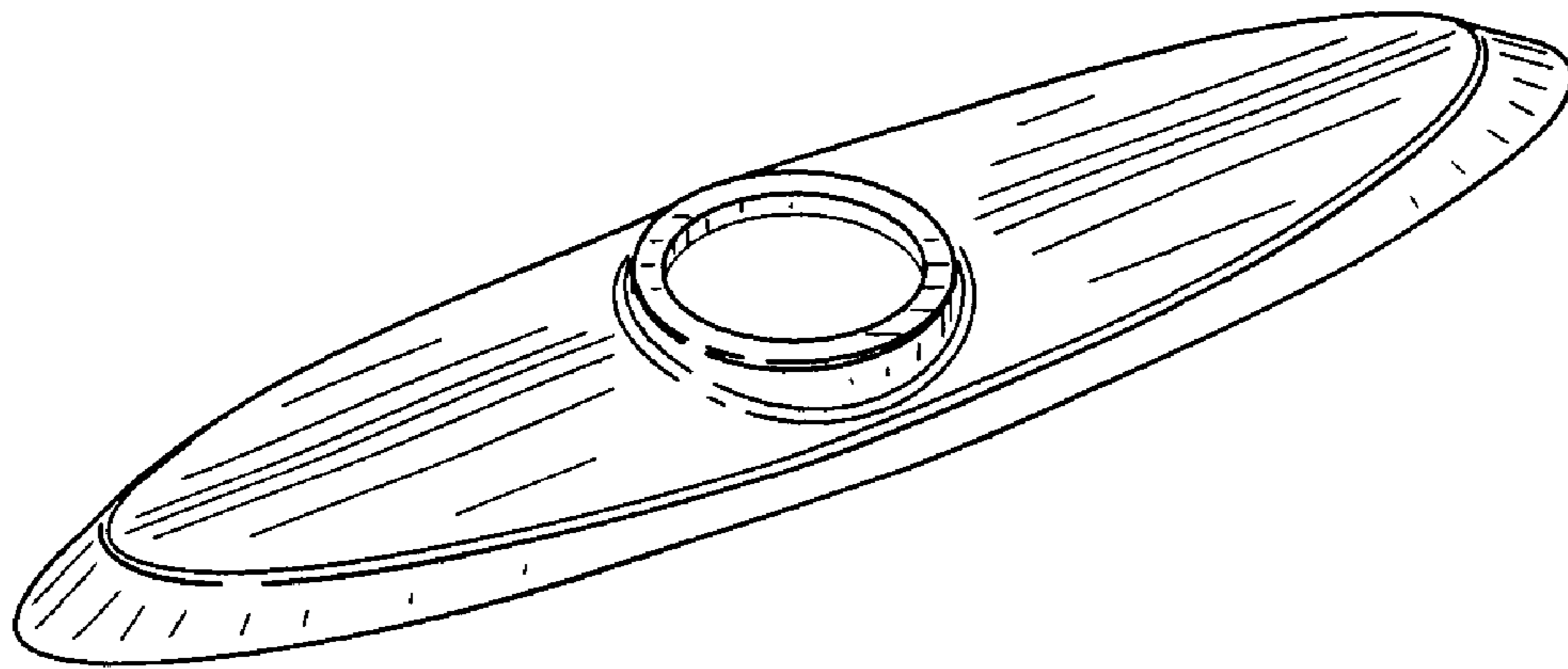


FIG. 1

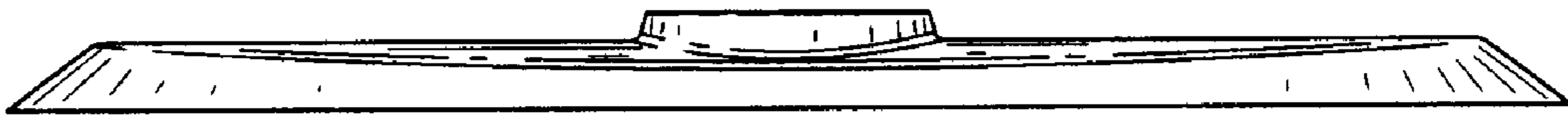


FIG. 2

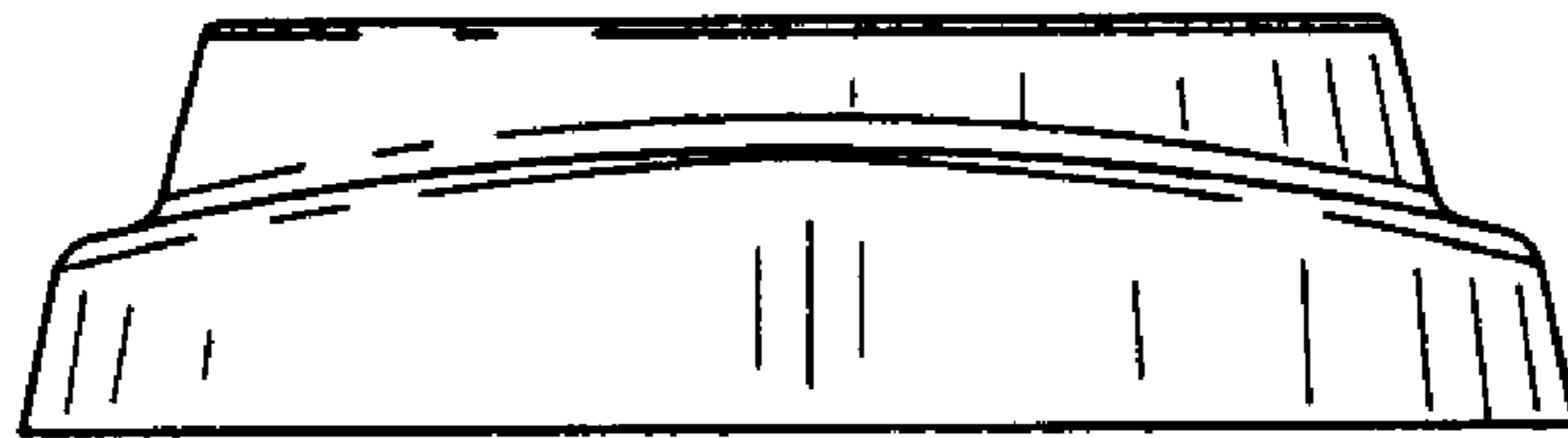


FIG. 3

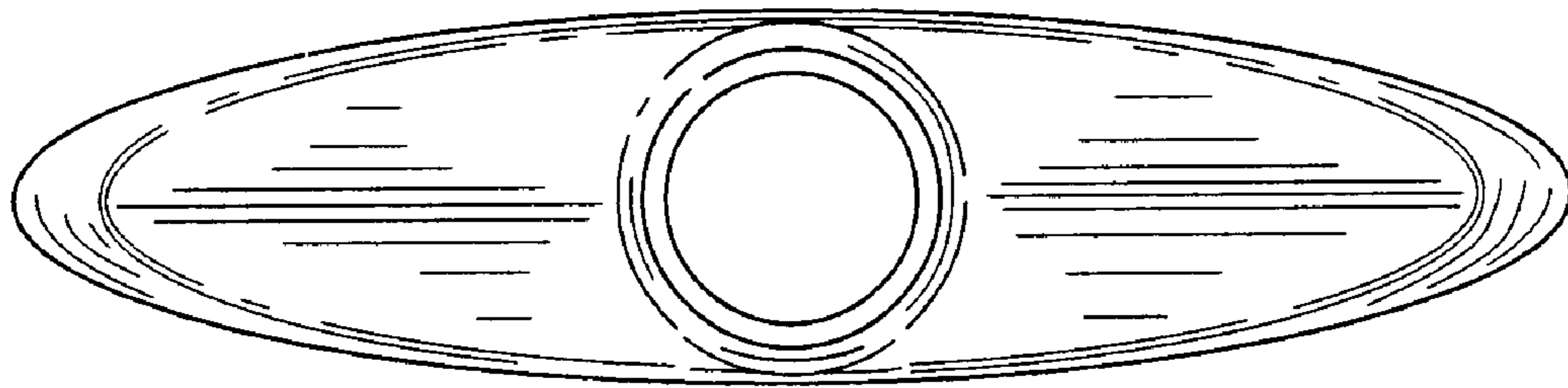


FIG. 4