



US00D526043S

(12) **United States Design Patent**  
**Thompson**

(10) **Patent No.:** **US D526,043 S**

(45) **Date of Patent:** **\*\* Aug. 1, 2006**

(54) **FLOAT FOR A CHLORINE DISPENSER**  
(75) Inventor: **Aaron Thompson**, Cooper City, FL  
(US)  
(73) Assignee: **Sportsfloats, Inc.**, Duluth, GA (US)  
(\*\*) Term: **14 Years**

5,611,532 A 3/1997 Forrest, Sr.  
5,795,551 A 8/1998 Powell  
D451,978 S 12/2001 Hood et al.  
D461,871 S 8/2002 Flowers  
6,432,371 B1 8/2002 Oliver, Jr.  
6,503,467 B1 \* 1/2003 Robinson et al. .... 422/265  
6,641,787 B1 \* 11/2003 Siggins et al. .... 422/264  
6,730,509 B1 \* 5/2004 VanErdewyk ..... 435/262  
D510,404 S \* 10/2005 Thompson ..... D23/208  
D512,481 S \* 12/2005 Thompson ..... D23/208

(21) Appl. No.: **29/224,404**  
(22) Filed: **Mar. 1, 2005**

(51) **LOC (8) Cl.** ..... **23-01**  
(52) **U.S. Cl.** ..... **D23/208**  
(58) **Field of Classification Search** ..... D23/208;  
D12/501; 210/169; 422/264-5  
See application file for complete search history.

\* cited by examiner

*Primary Examiner*—Robin Webster  
(74) *Attorney, Agent, or Firm*—Robert J. Theuerkeuf;  
Middeton Reutlinger

(57) **CLAIM**

The ornamental design for a float for a chlorine dispenser, as shown and described.

(56) **References Cited**

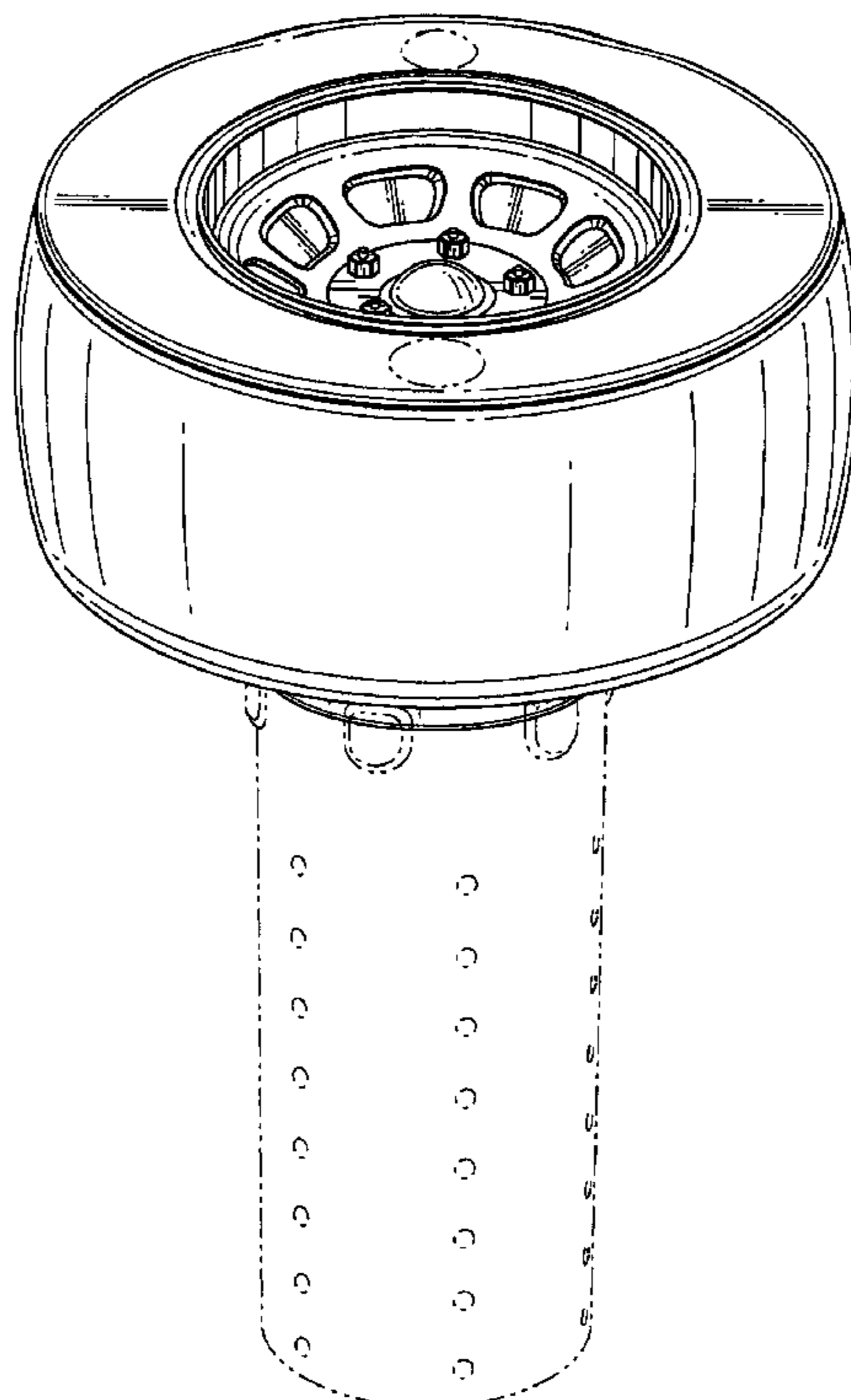
U.S. PATENT DOCUMENTS

2,934,409 A 4/1960 Biehl  
D231,985 S \* 7/1974 Paulsen ..... D23/208  
D239,268 S \* 3/1976 Harty ..... D12/501  
RE29,728 E 8/1978 Franklin  
4,217,331 A 8/1980 Schaub  
D275,311 S 8/1984 Wolfe  
D286,560 S 11/1986 Wolfe  
4,630,634 A 12/1986 Sasaki et al.  
4,798,707 A 1/1989 Thomas et al.  
D307,460 S 4/1990 Bradford et al.  
5,053,205 A 10/1991 Taylor et al.  
5,055,183 A 10/1991 Buchan  
5,476,116 A 12/1995 Price et al.  
D373,337 S \* 9/1996 Hunt ..... D12/501

**DESCRIPTION**

FIG. 1 is a perspective view of the float for a chlorine dispenser showing my design;  
FIG. 2 is a top view of the float for a chlorine dispenser of FIG. 1;  
FIG. 3 is a side view of the float for a chlorine dispenser of FIG. 1; and,  
FIG. 4 is a bottom view of the float for a chlorine dispenser of FIG. 1.  
The broken line showing environmental structure is for illustrative purposes only and forms no part of the claimed design.

**1 Claim, 4 Drawing Sheets**



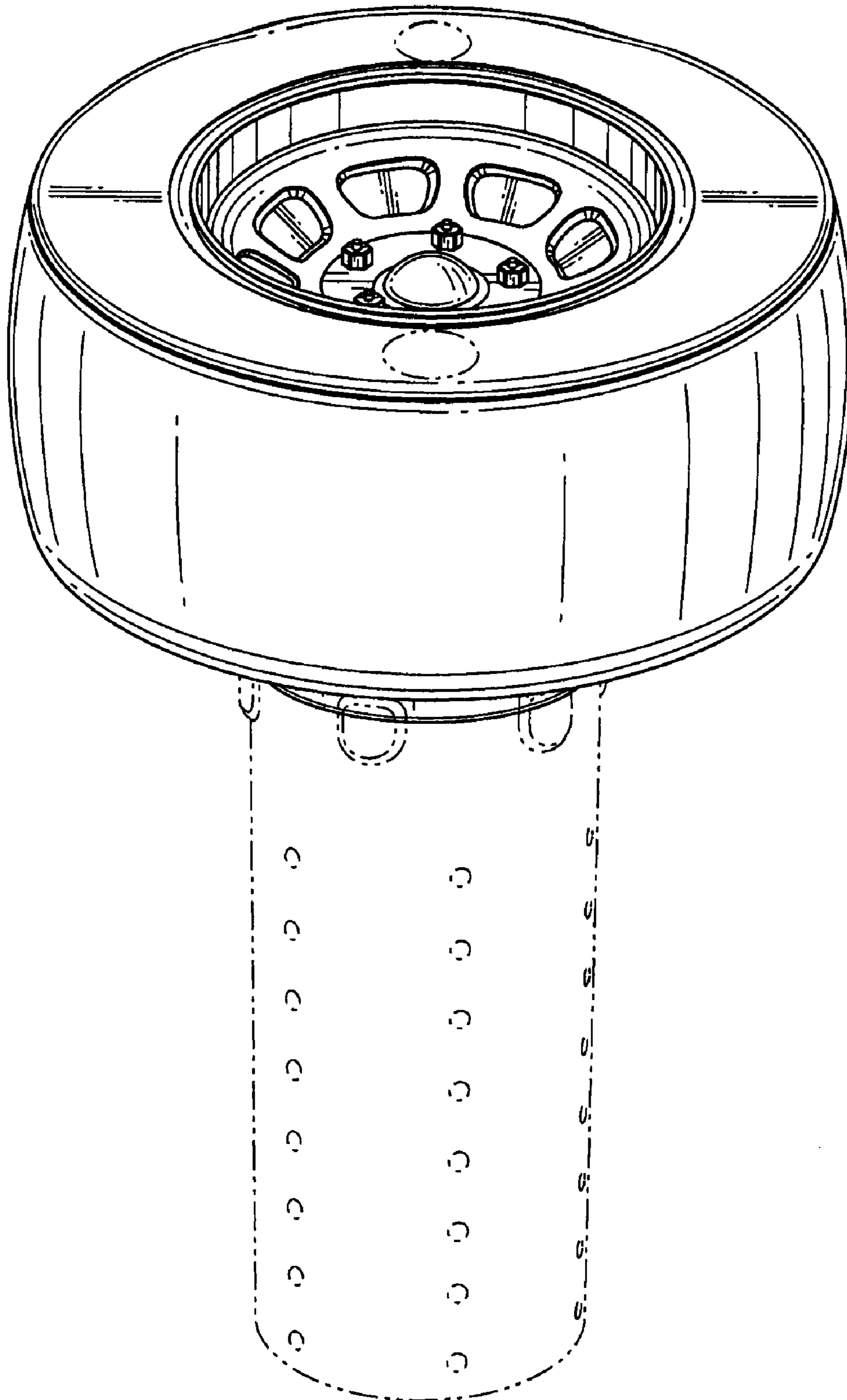


FIG. 1

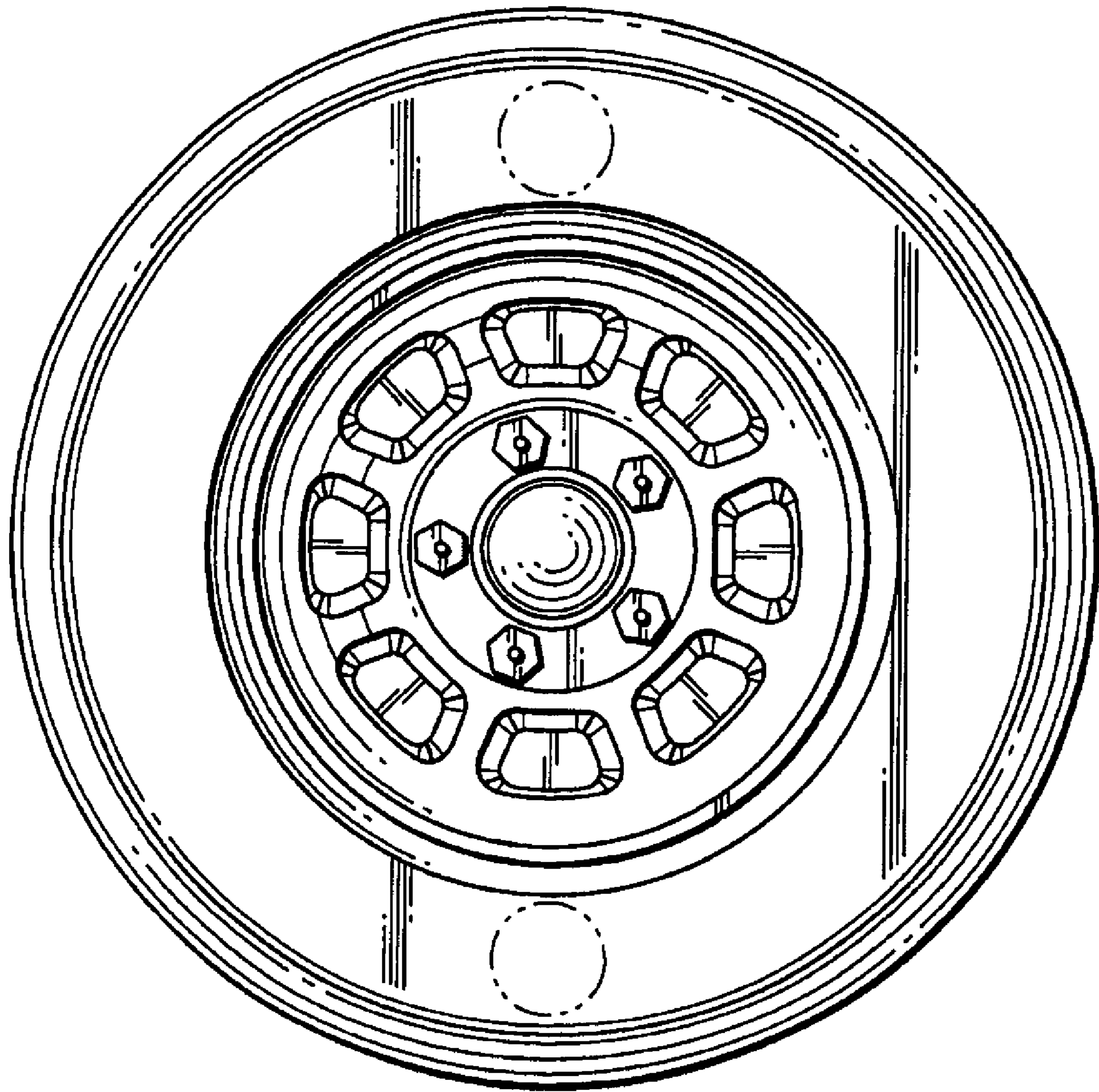


FIG. 2

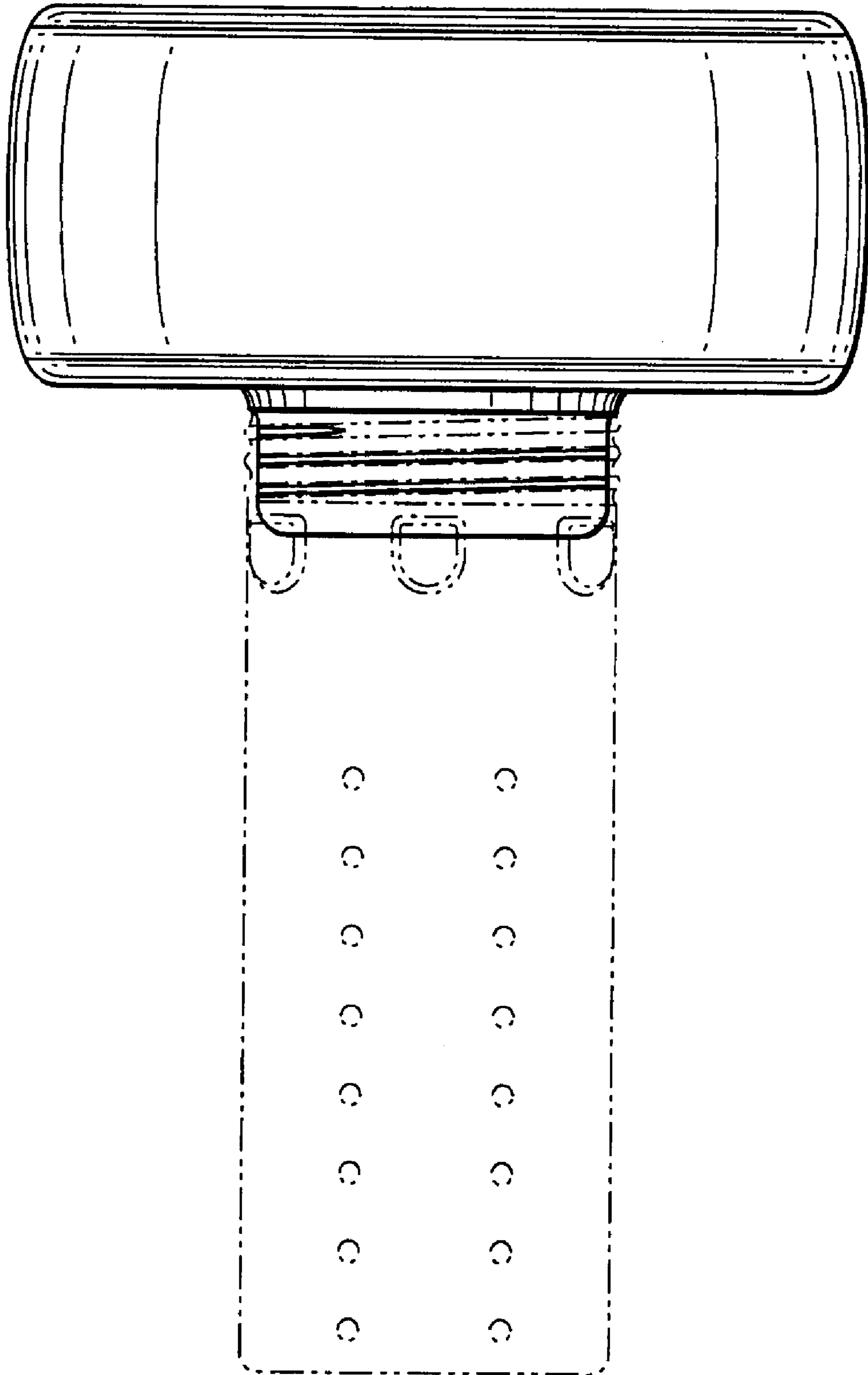


FIG. 3

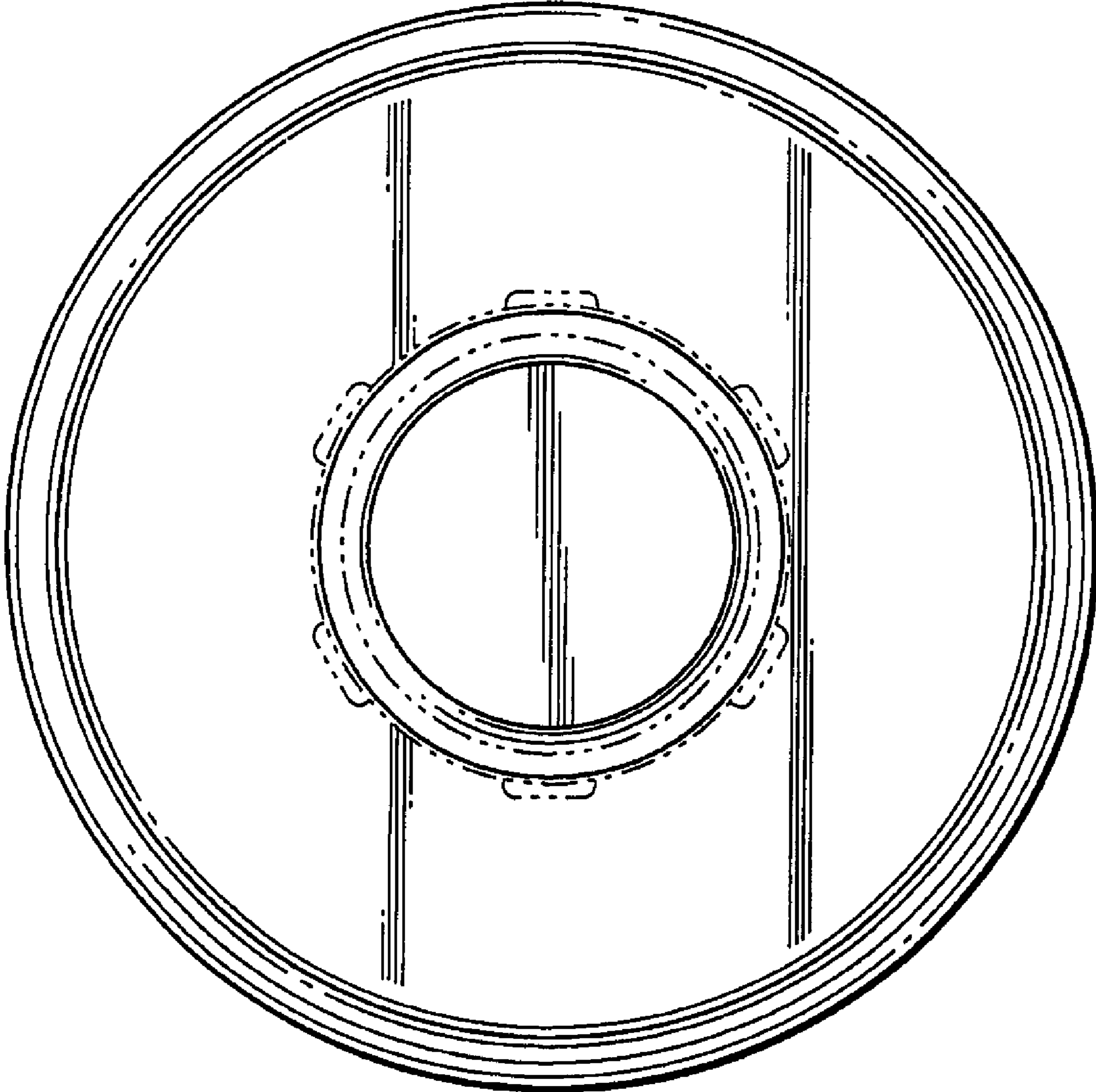


FIG. 4