



US00D526042S

(12) **United States Design Patent**
Corbett et al.

(10) **Patent No.:** **US D526,042 S**
(45) **Date of Patent:** **** Aug. 1, 2006**

(54) **GRIP**

(75) Inventors: **Grant Corbett**, Bend, OR (US); **Matt Zavadil**, Buford, GA (US); **Roald Ramsey**, Redding, CA (US); **Leif Ramsey**, Collegedale, TN (US)

(73) Assignee: **M Works Corporation**, Bend, OR (US)

(**) Term: **14 Years**

(21) Appl. No.: **29/227,847**

(22) Filed: **Apr. 14, 2005**

(51) **LOC (8) Cl.** **22-05**

(52) **U.S. Cl.** **D22/135**

(58) **Field of Classification Search** D22/135,
D22/134; 43/10-12; D8/300-305; 294/137
See application file for complete search history.

(56) **References Cited**

U.S. PATENT DOCUMENTS

D162,826 S	*	4/1951	Harvey	D22/135
4,031,650 A	*	6/1977	Popeil	43/12
D319,681 S	*	9/1991	Mengo	D22/135
D391,620 S	*	3/1998	Lucas et al.	D22/135
D469,154 S	*	1/2003	French	D22/135
D489,789 S	*	5/2004	Helms	D22/135

* cited by examiner

Primary Examiner—Catherine R. Oliver

(74) *Attorney, Agent, or Firm*—Miller Nash, LLP

(57) **CLAIM**

We claim the ornamental design for a grip, as shown.

DESCRIPTION

FIG. 1 is an environmental perspective view of a grip, in which the grip is located on a fishing net, which is shown in broken lines for illustrative purposes only and forms no part of the claimed design;

FIG. 2 is an environmental perspective view of the grip;

FIG. 3 is a front perspective view thereof;

FIG. 4 is a rear perspective view thereof;

FIG. 5 is a left side elevational view thereof;

FIG. 6 is a right side elevational view thereof;

FIG. 7 is a top plan view thereof;

FIG. 8 is a bottom plan view thereof.

FIG. 9 is an environmental perspective view of a grip, in which the grip is located on a fishing net, which is shown in broken lines for illustrative purposes only and forms no part of the claimed design;

FIG. 10 is an environmental perspective view thereof;

FIG. 11 is a front perspective view thereof;

FIG. 12 is a rear perspective view thereof;

FIG. 13 is a left side elevational view thereof;

FIG. 14 is a right side elevational view thereof;

FIG. 15 is a top plan view thereof; and

FIG. 16 is a bottom plan view thereof.

FIG. 17 is an environmental perspective view of a grip, in which the grip is located on a fishing net, which is shown in broken lines for illustrative purposes only and forms no part of the claimed design;

FIG. 18 is an environmental perspective view thereof;

FIG. 19 is a front perspective view thereof;

FIG. 20 is a rear perspective view thereof;

FIG. 21 is a left side elevational view thereof;

FIG. 22 is a right side elevational view thereof;

FIG. 23 is a top plan view thereof;

FIG. 24 is a bottom plan view thereof;

FIG. 25 is an environmental perspective view of a grip, in which the grip is located on a fishing net, which is shown in broken lines for illustrative purposes only and forms no part of the claimed design;

FIG. 26 is an environmental perspective view thereof;

FIG. 27 is a front perspective view thereof;

FIG. 28 is a rear perspective view thereof;

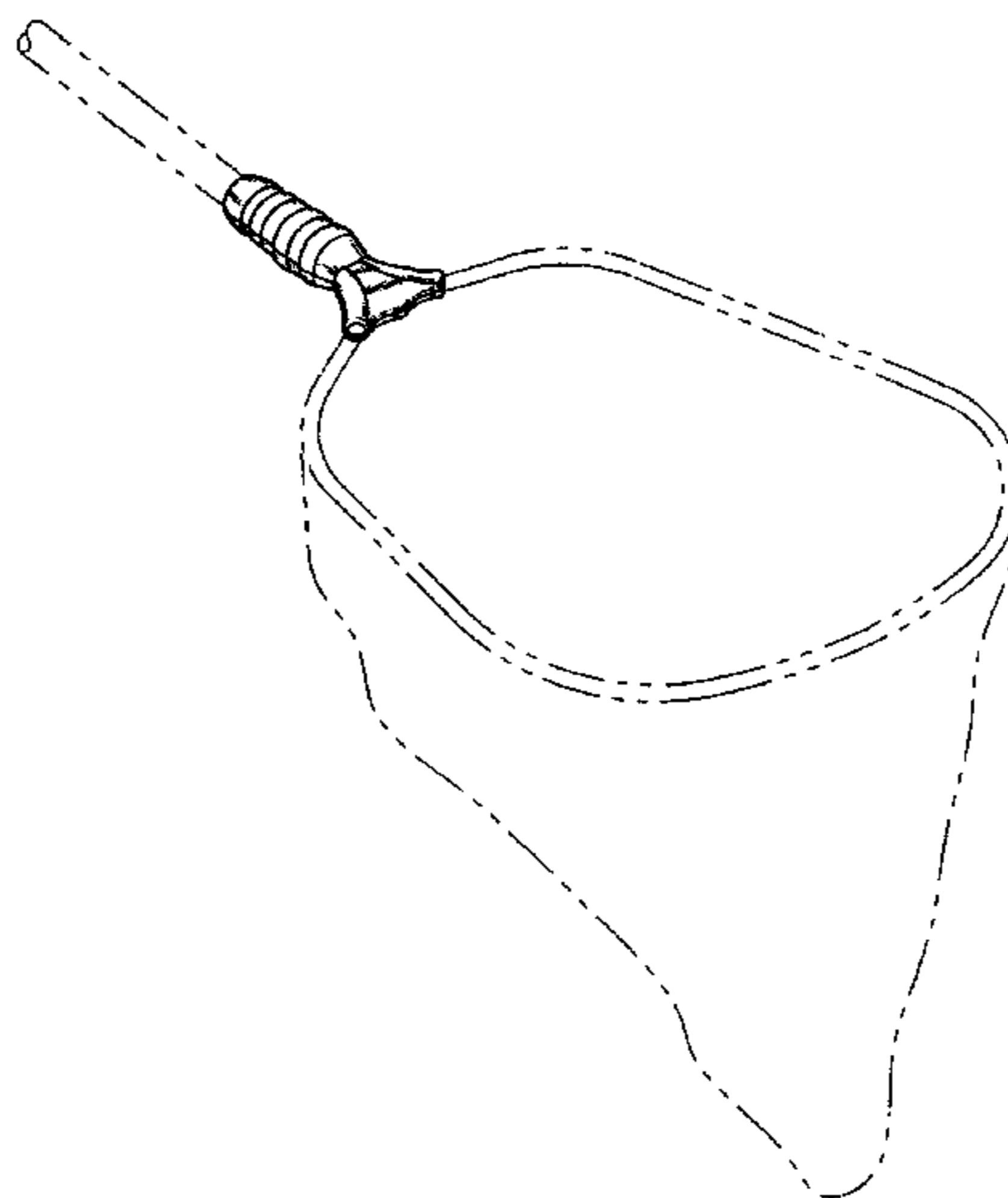
FIG. 29 is a left side elevational view thereof;

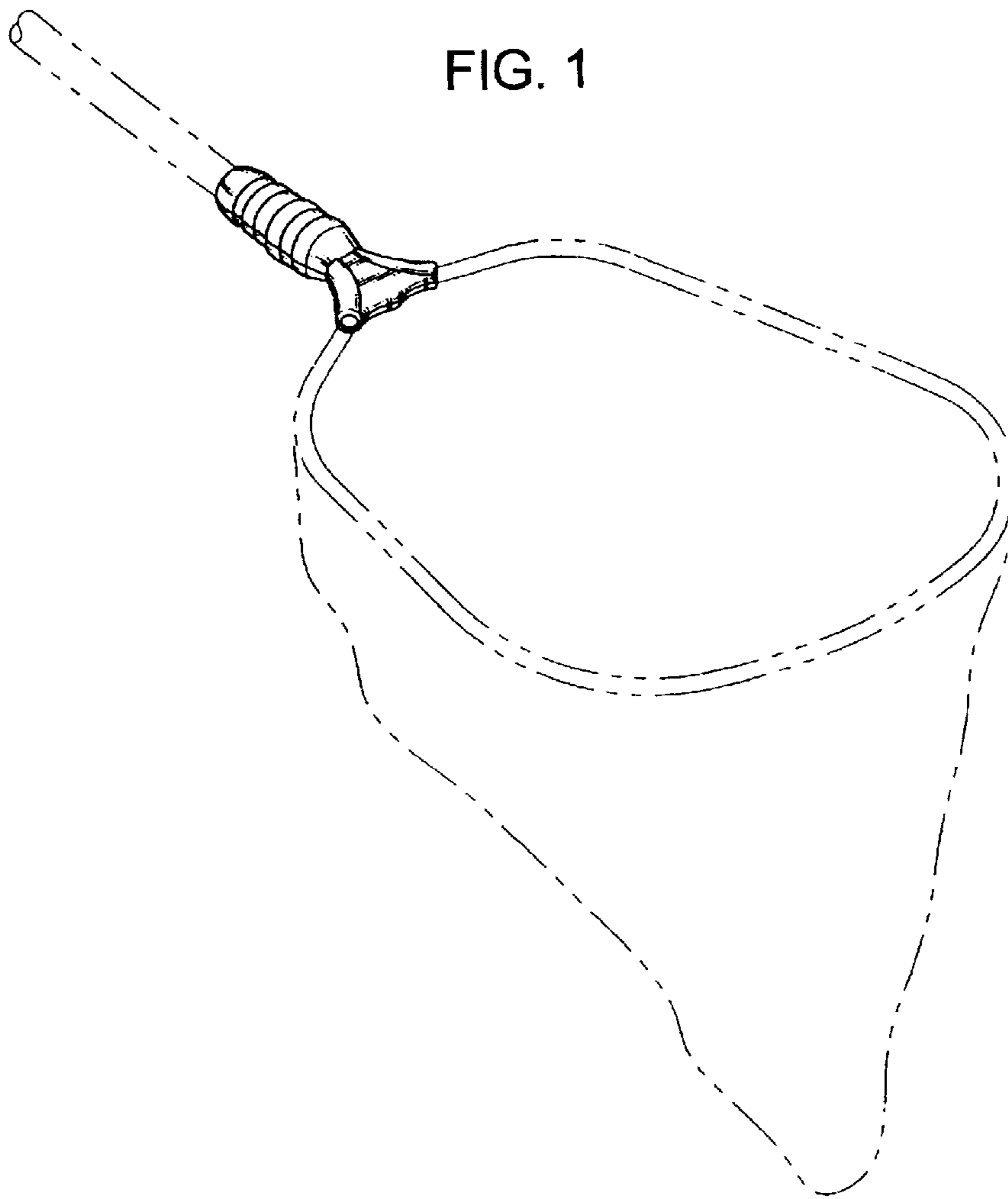
FIG. 30 is a right side elevational view thereof;

FIG. 31 is a top plan view thereof; and

FIG. 32 is a bottom plan view thereof.

1 Claim, 12 Drawing Sheets





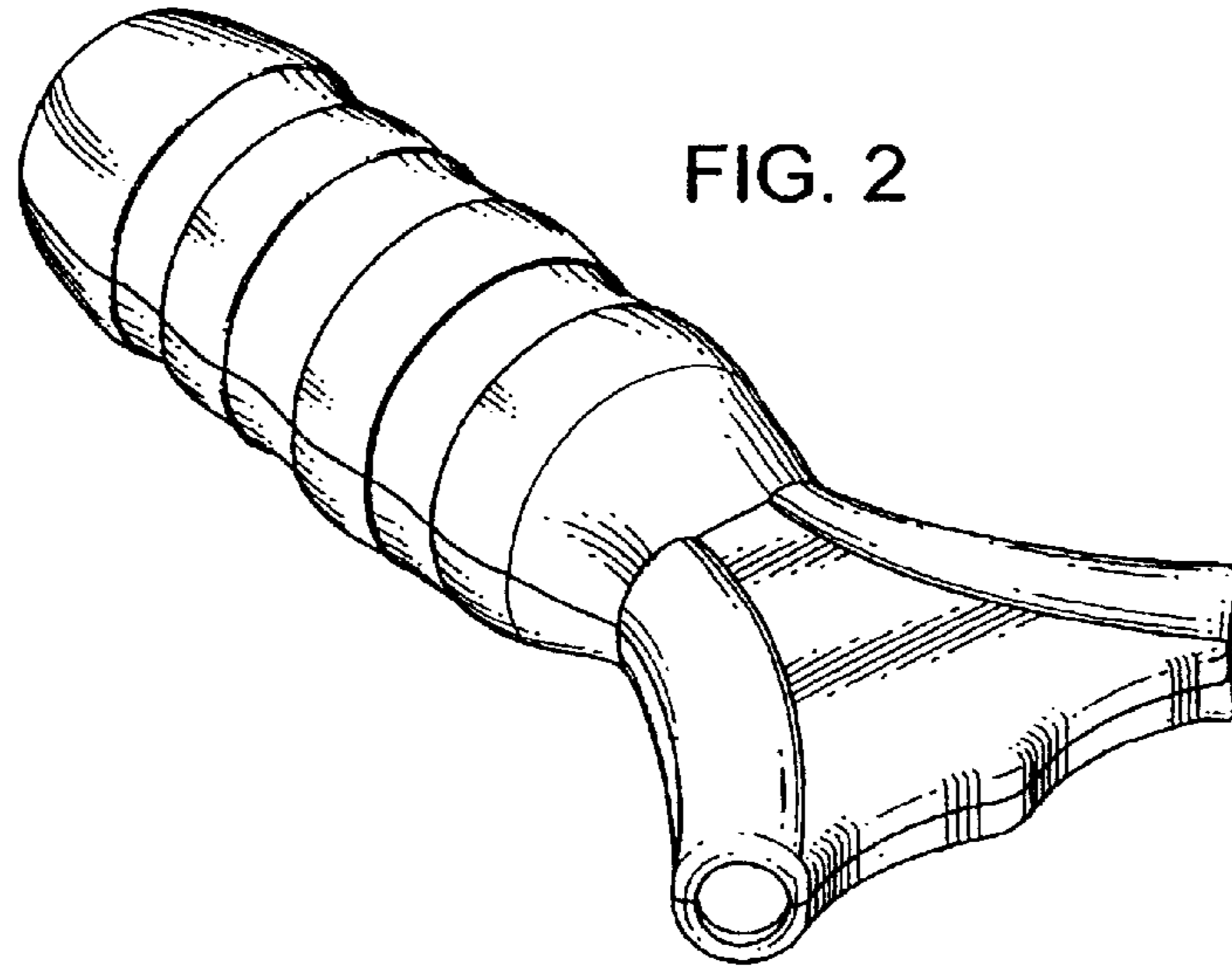


FIG. 2

FIG. 3

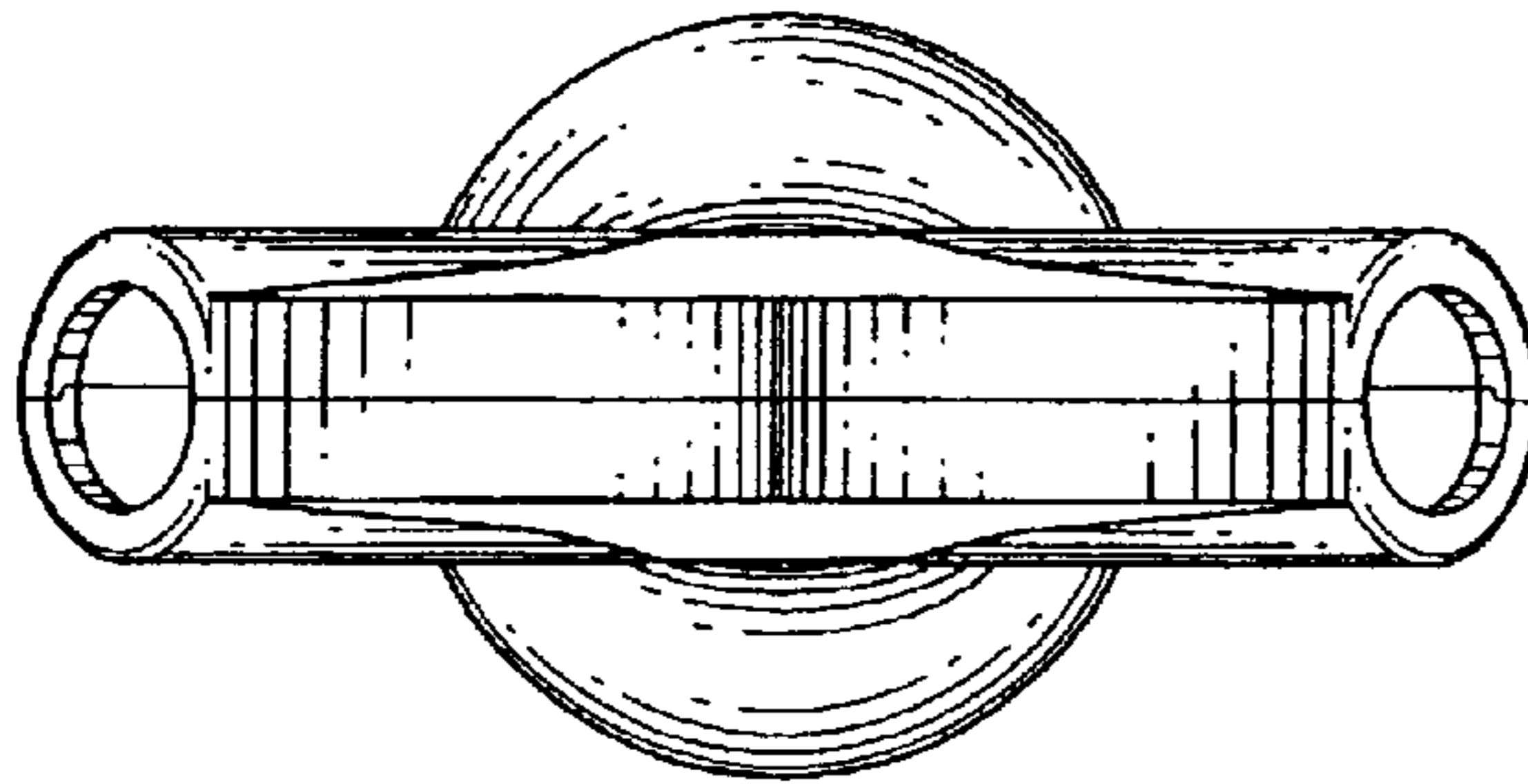


FIG. 4

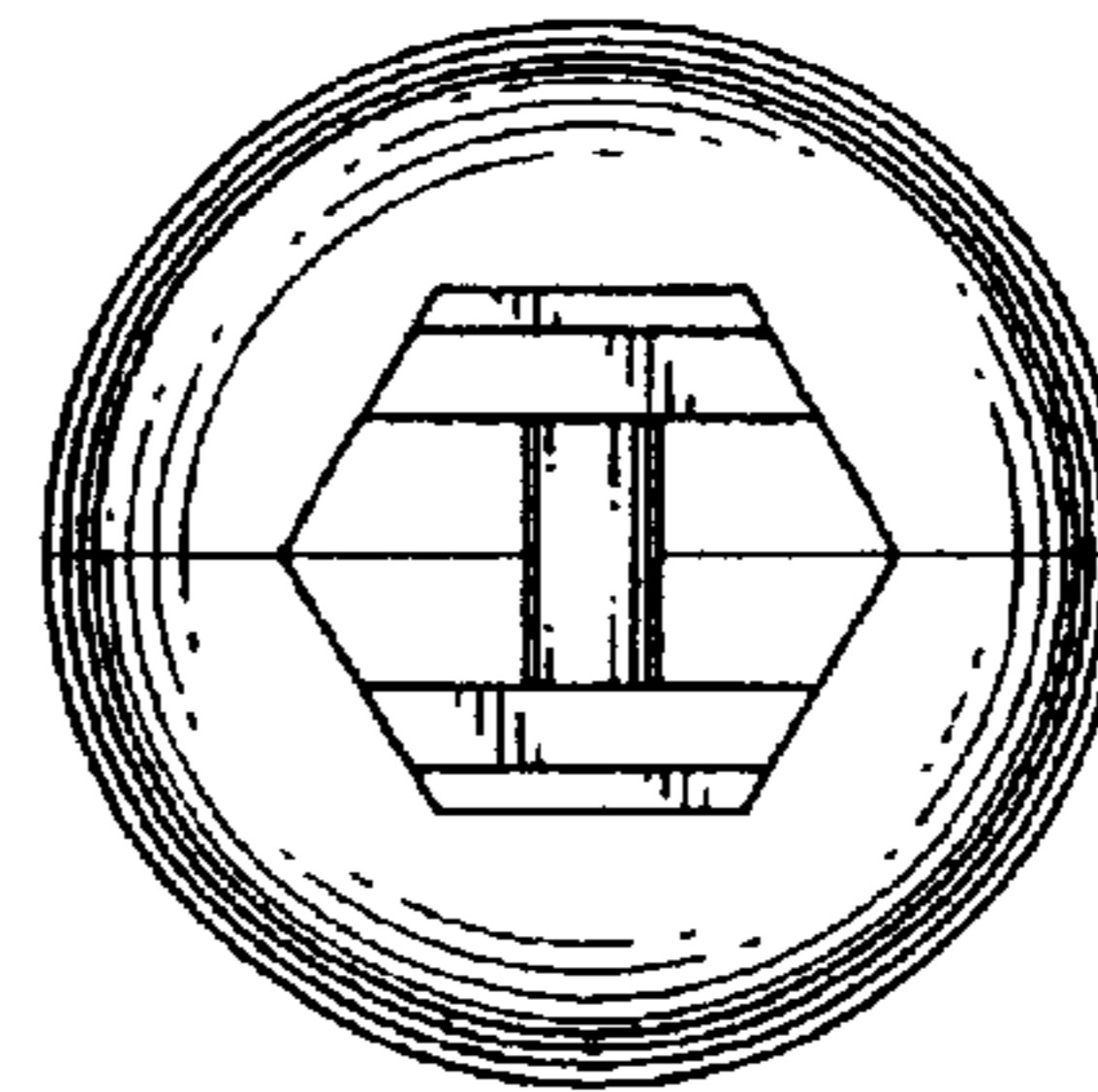


FIG. 5

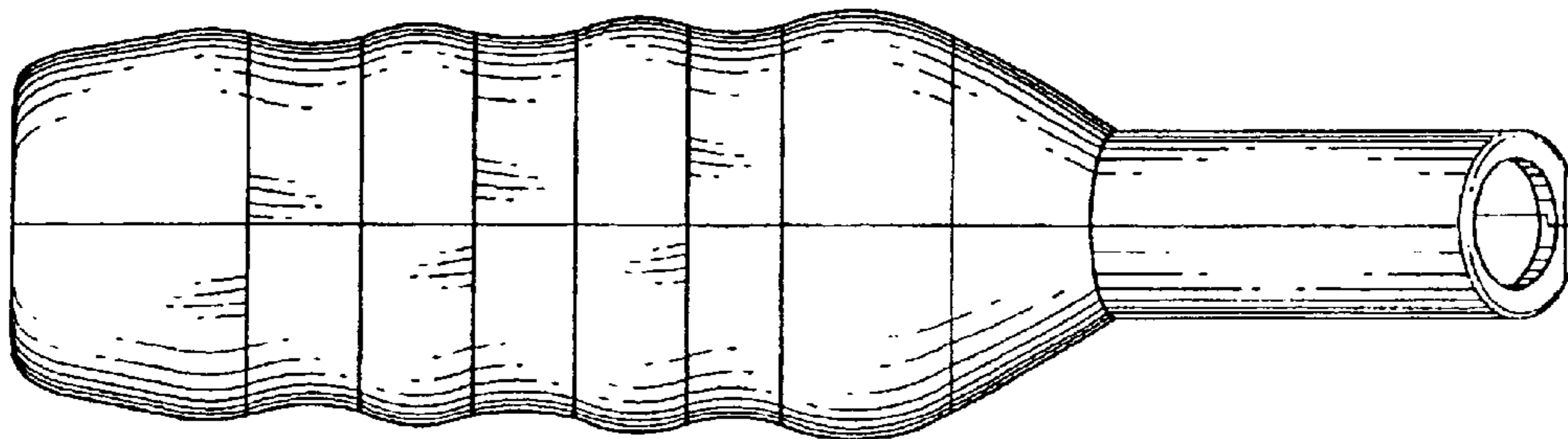


FIG. 6

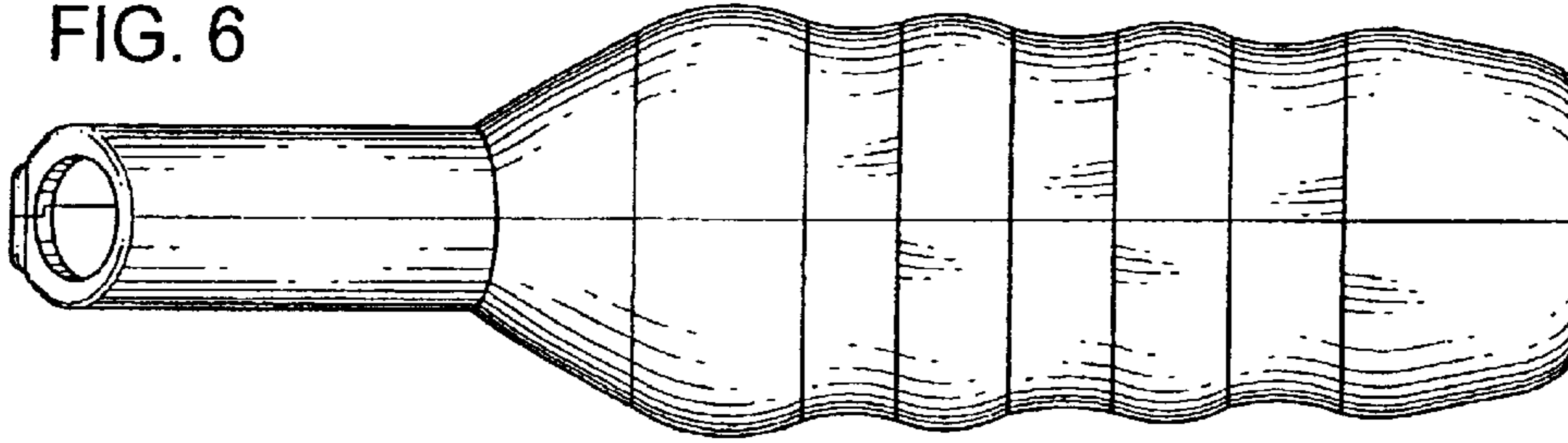


FIG. 7

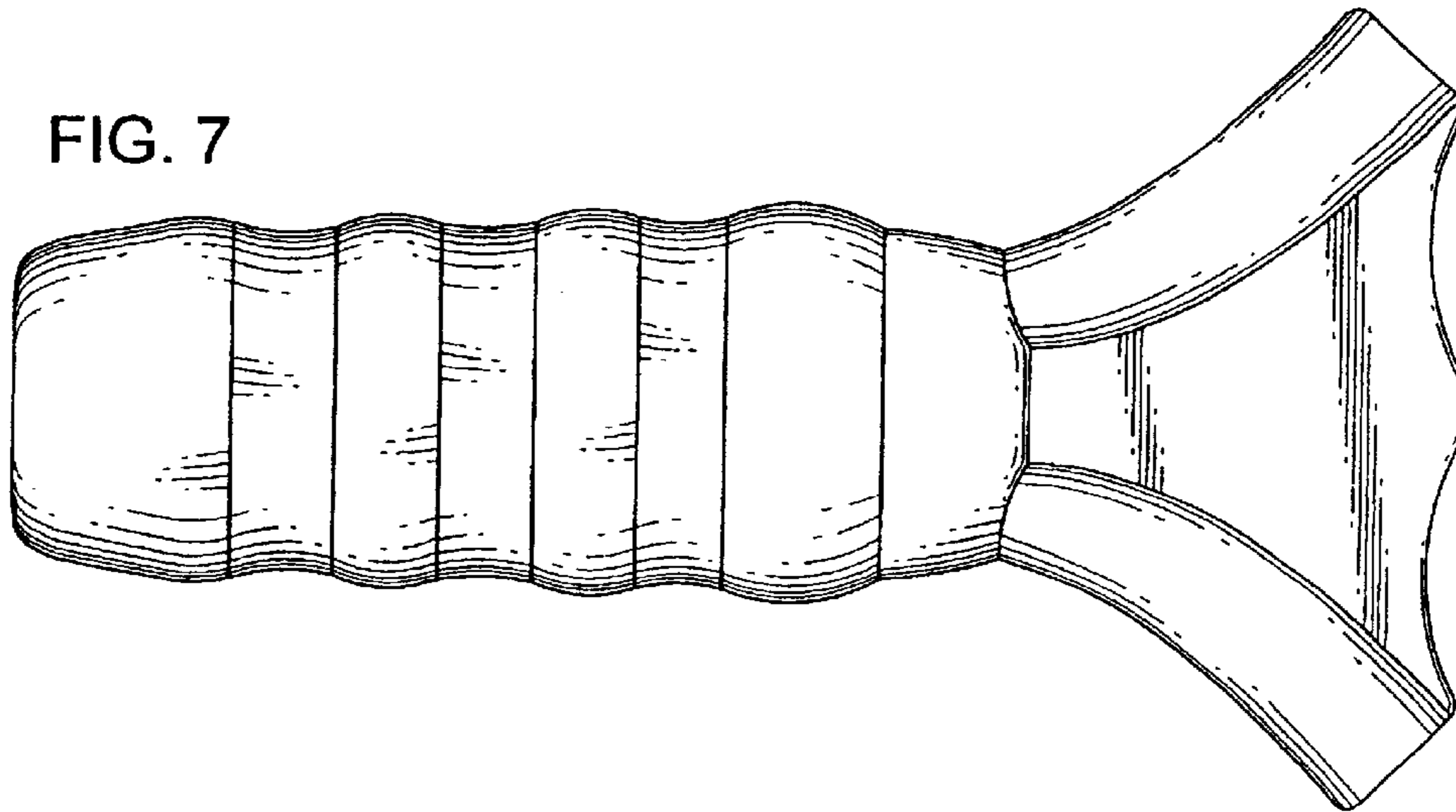


FIG. 8

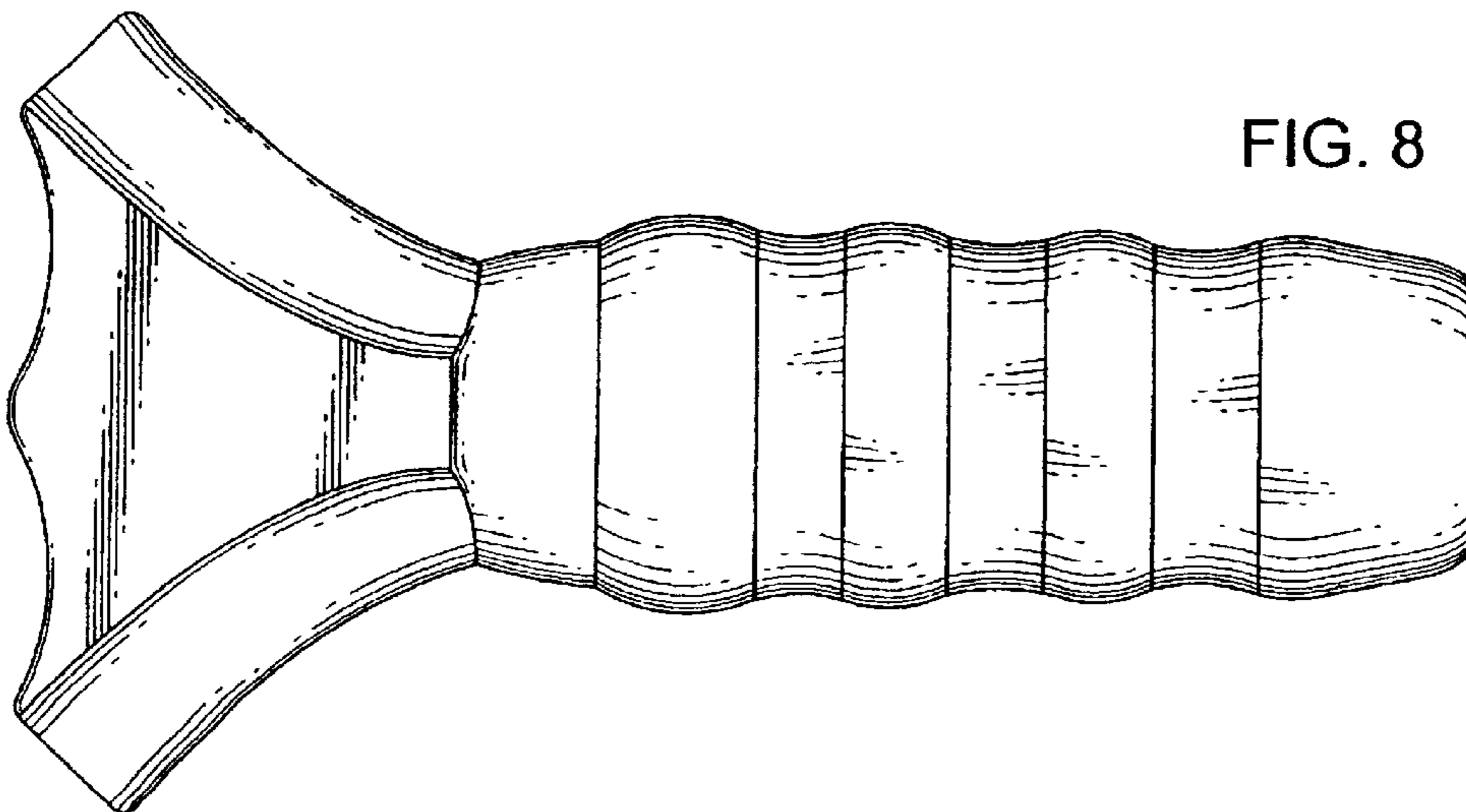
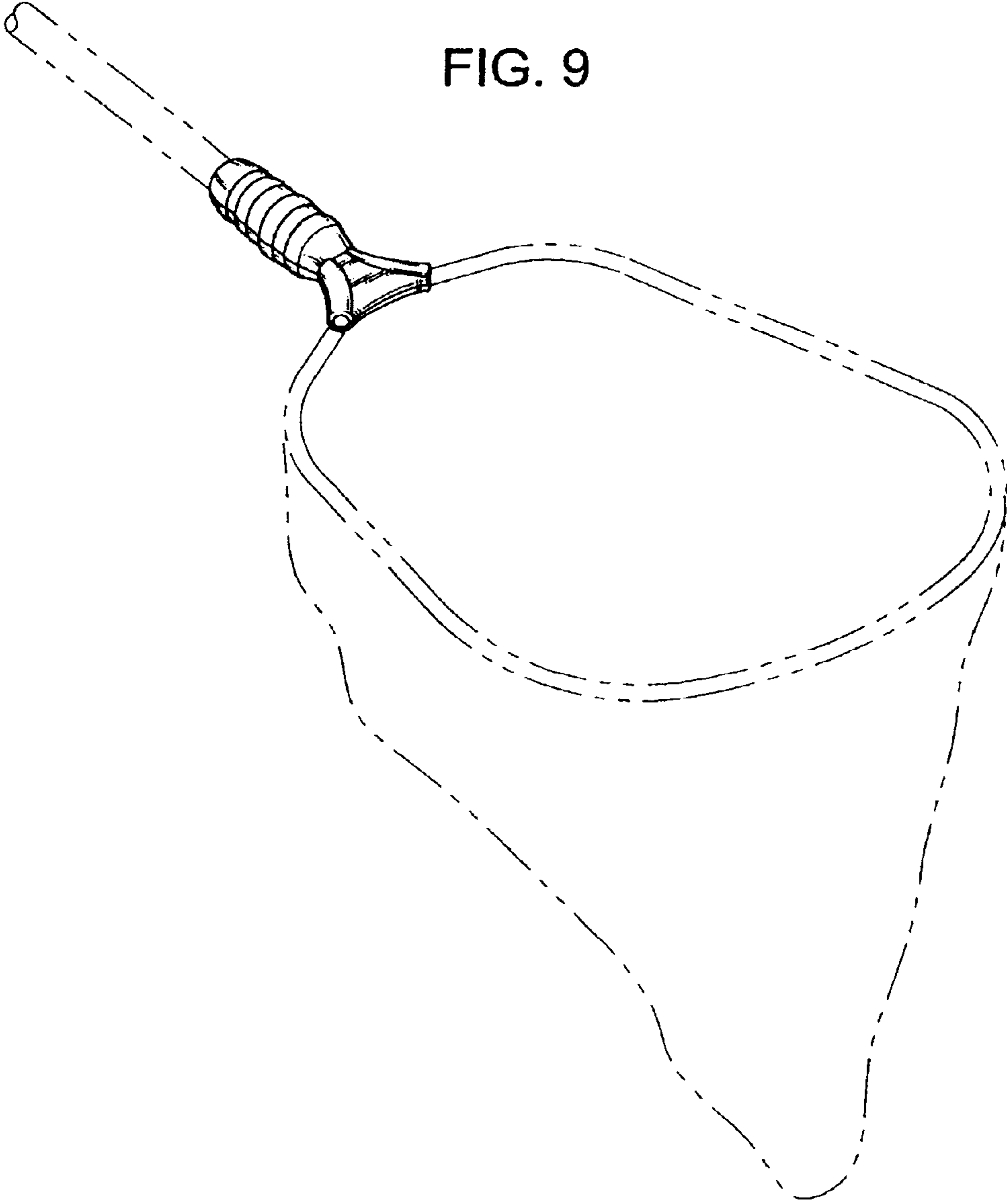


FIG. 9



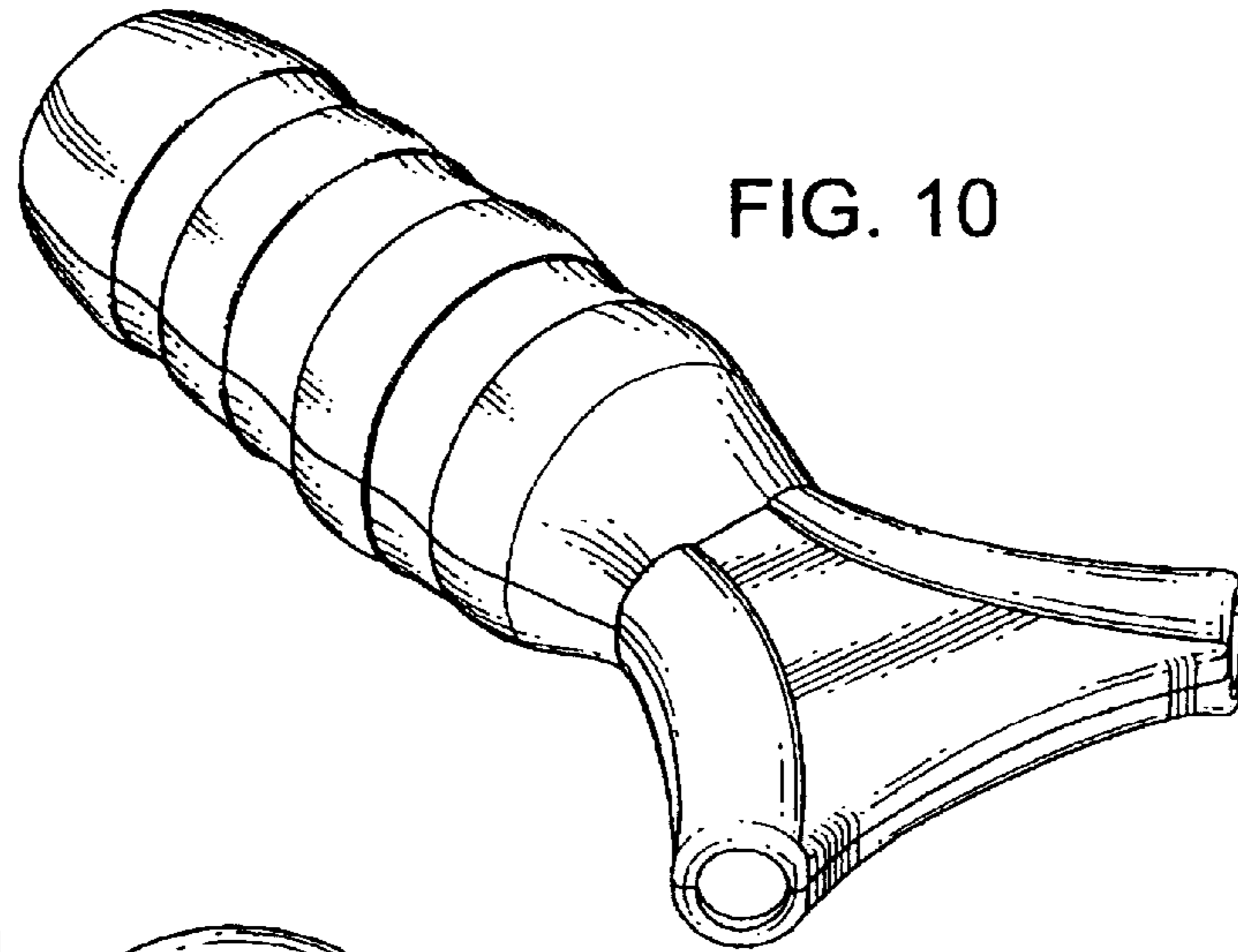


FIG. 10

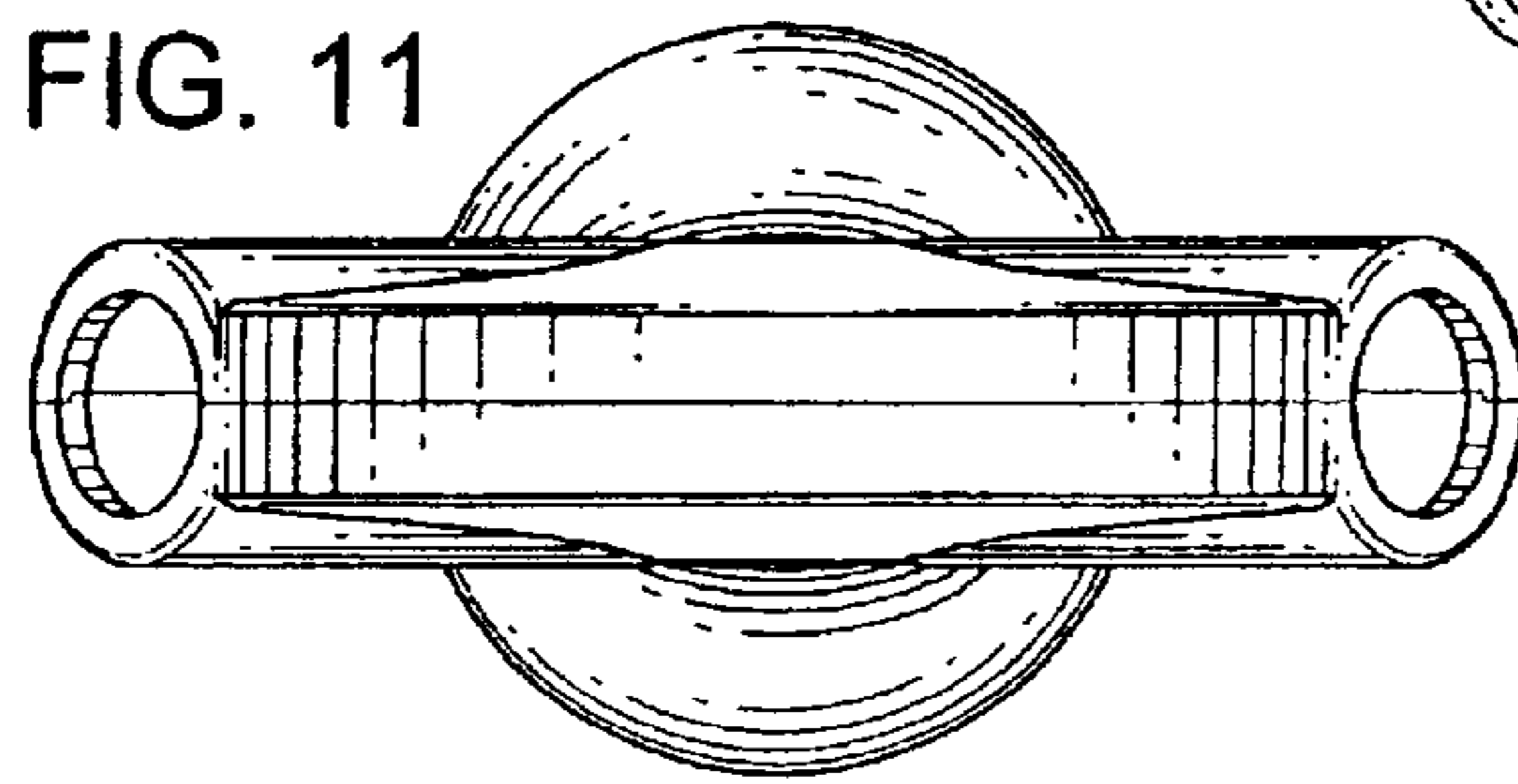


FIG. 11

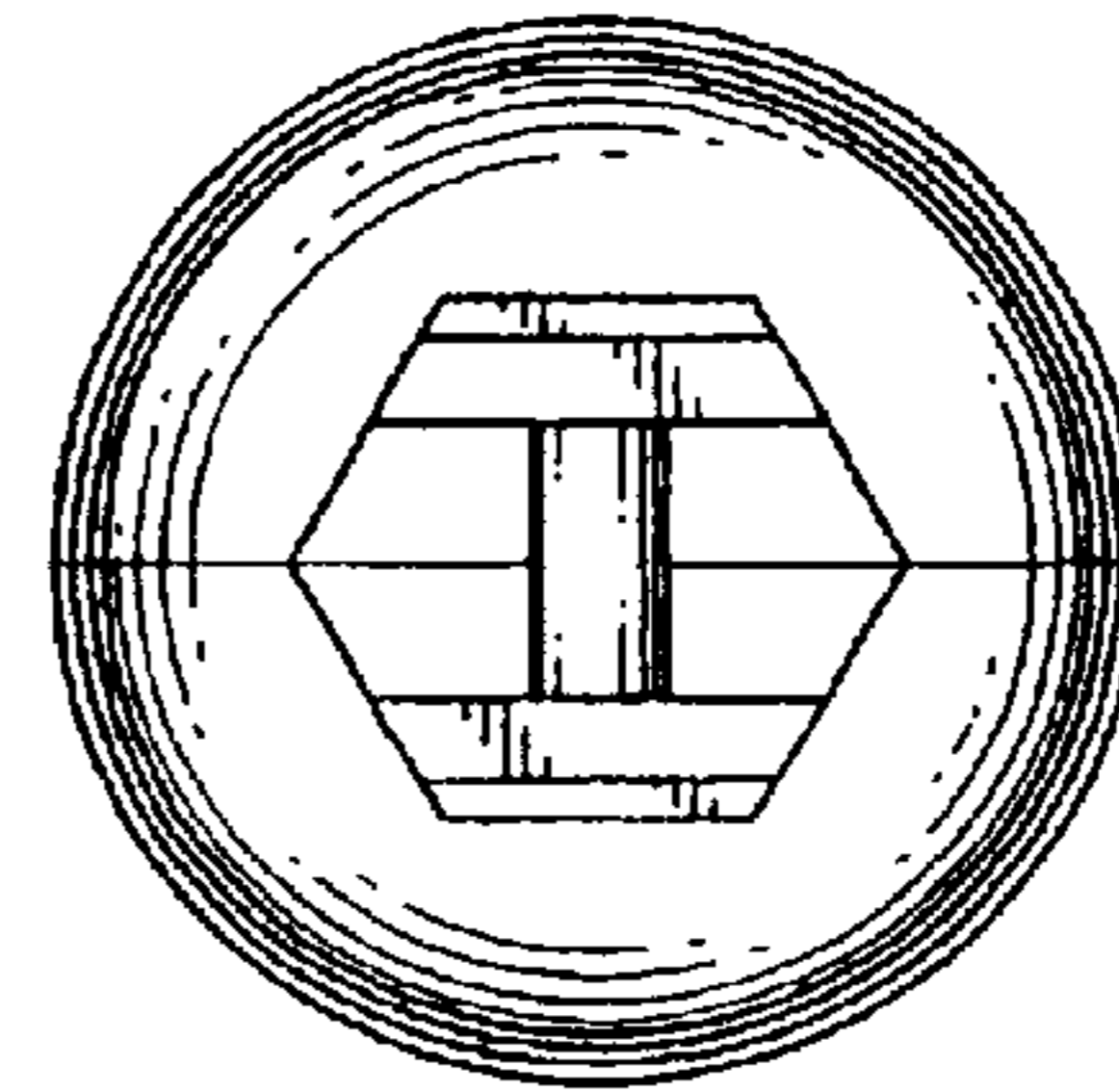


FIG. 12

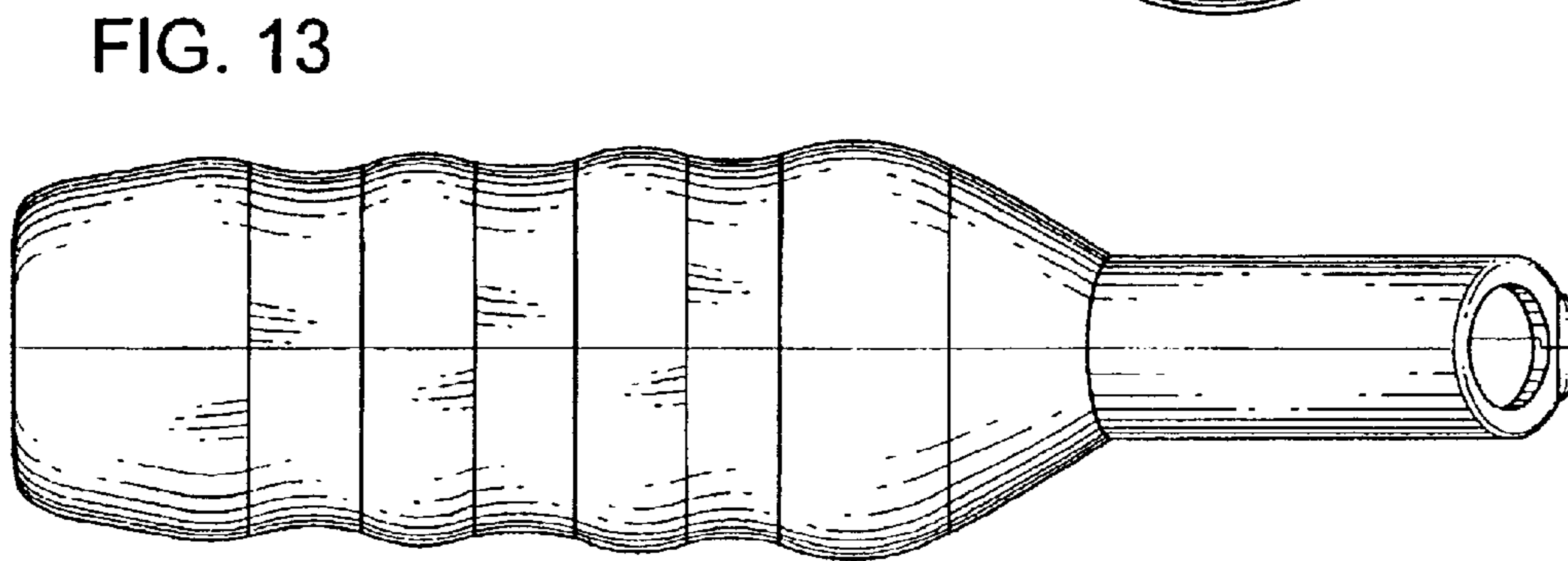


FIG. 13

FIG. 14

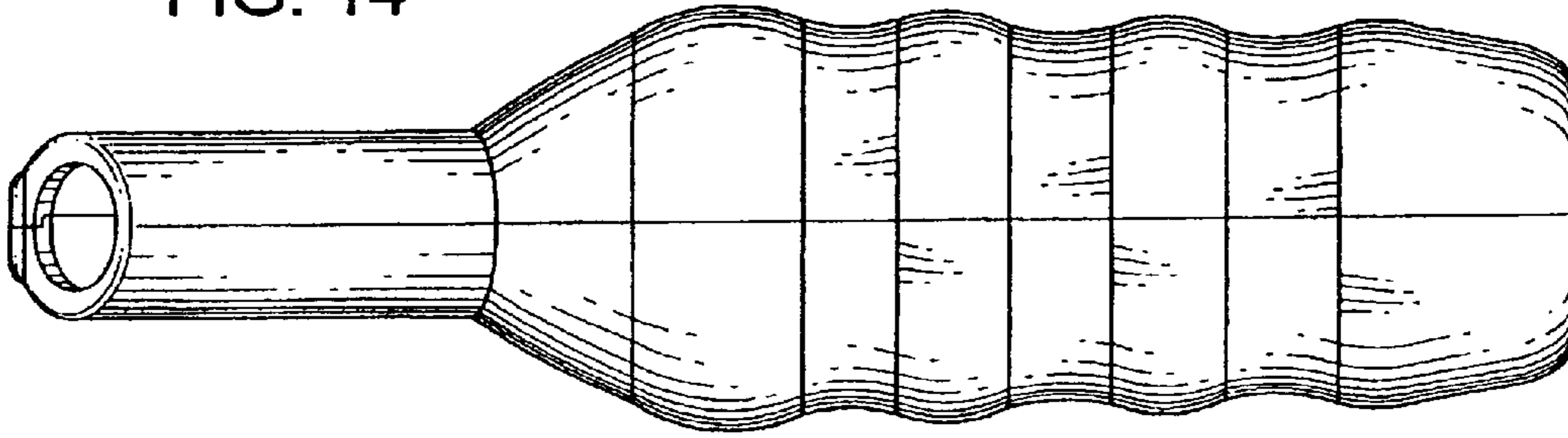


FIG. 15

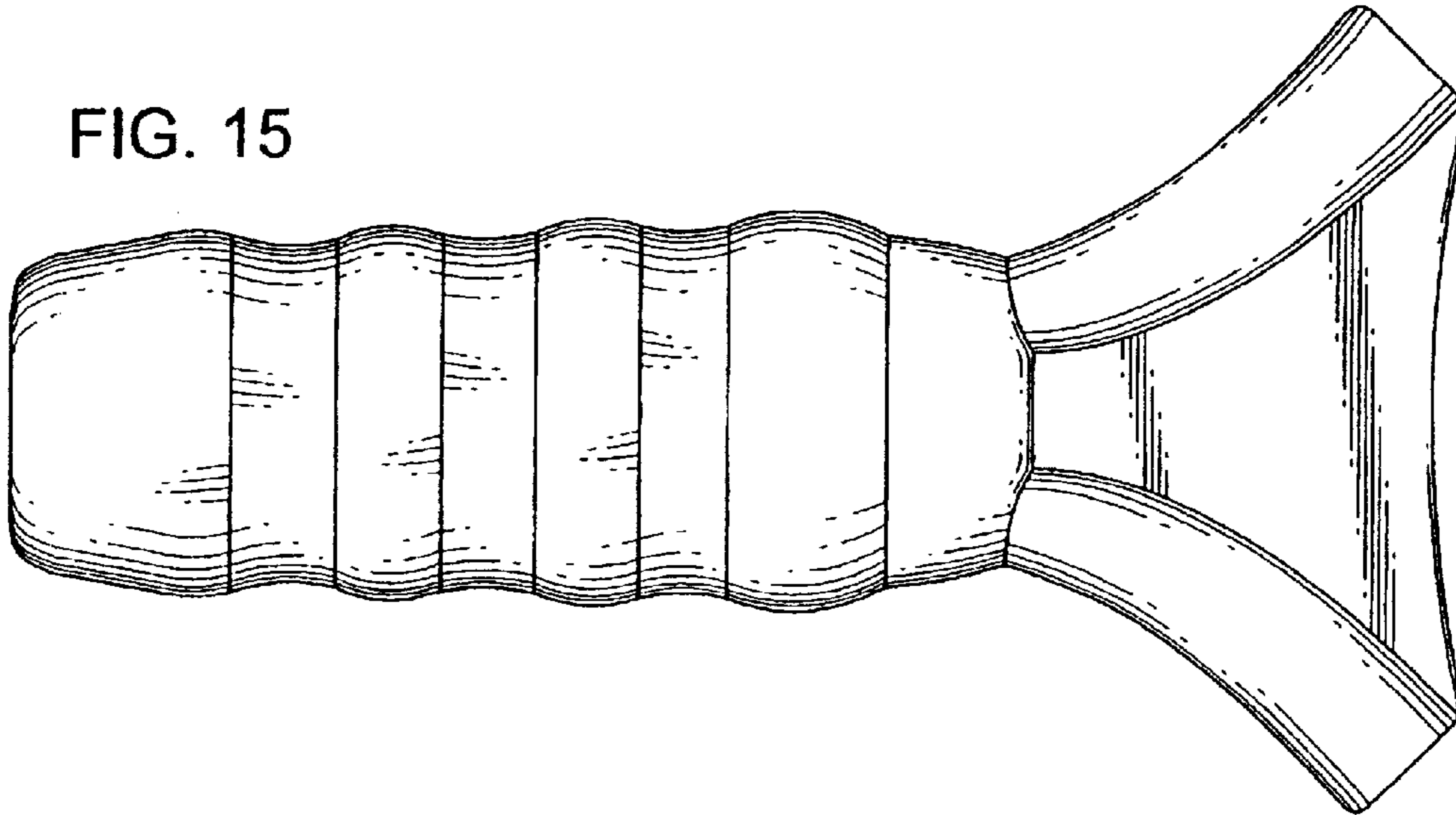


FIG. 16

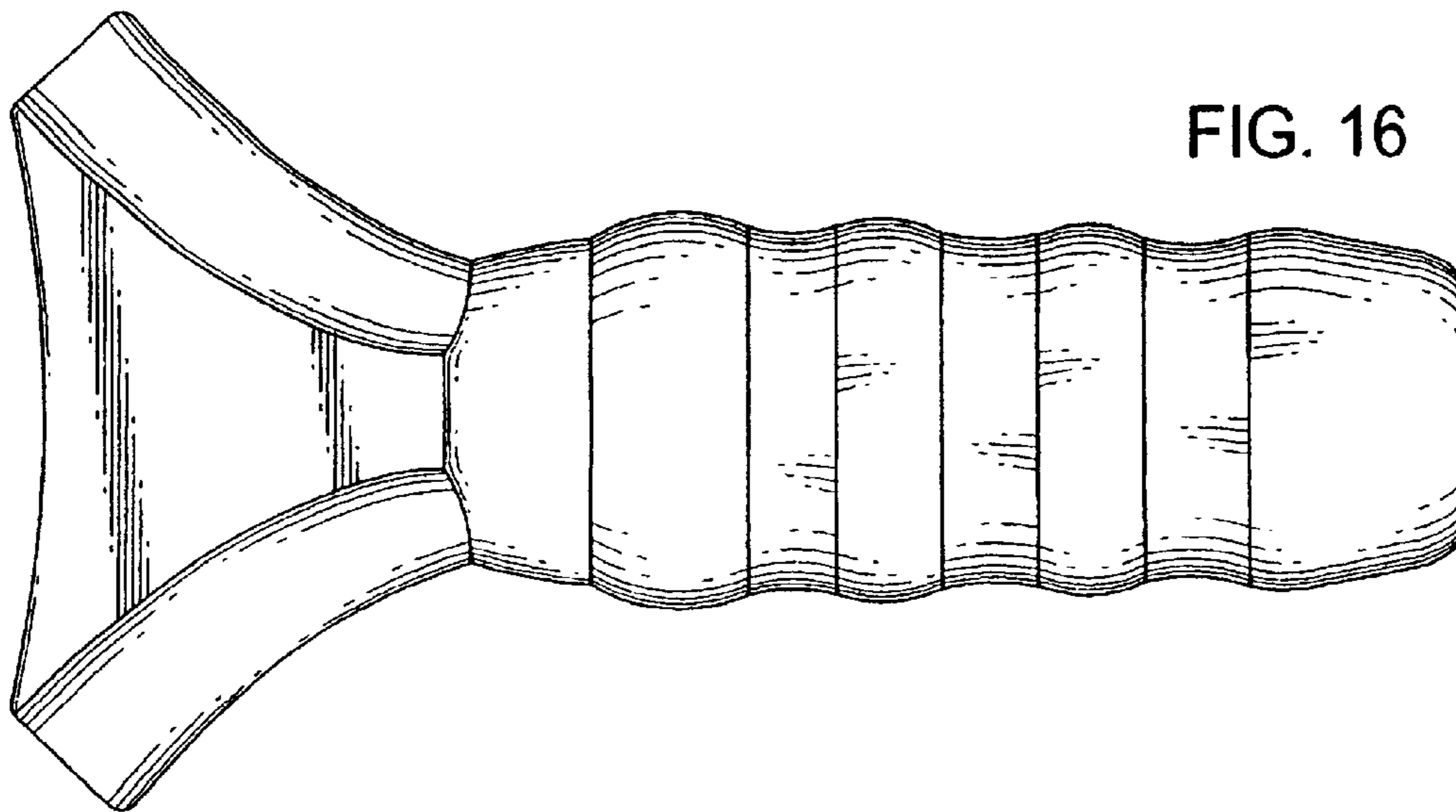
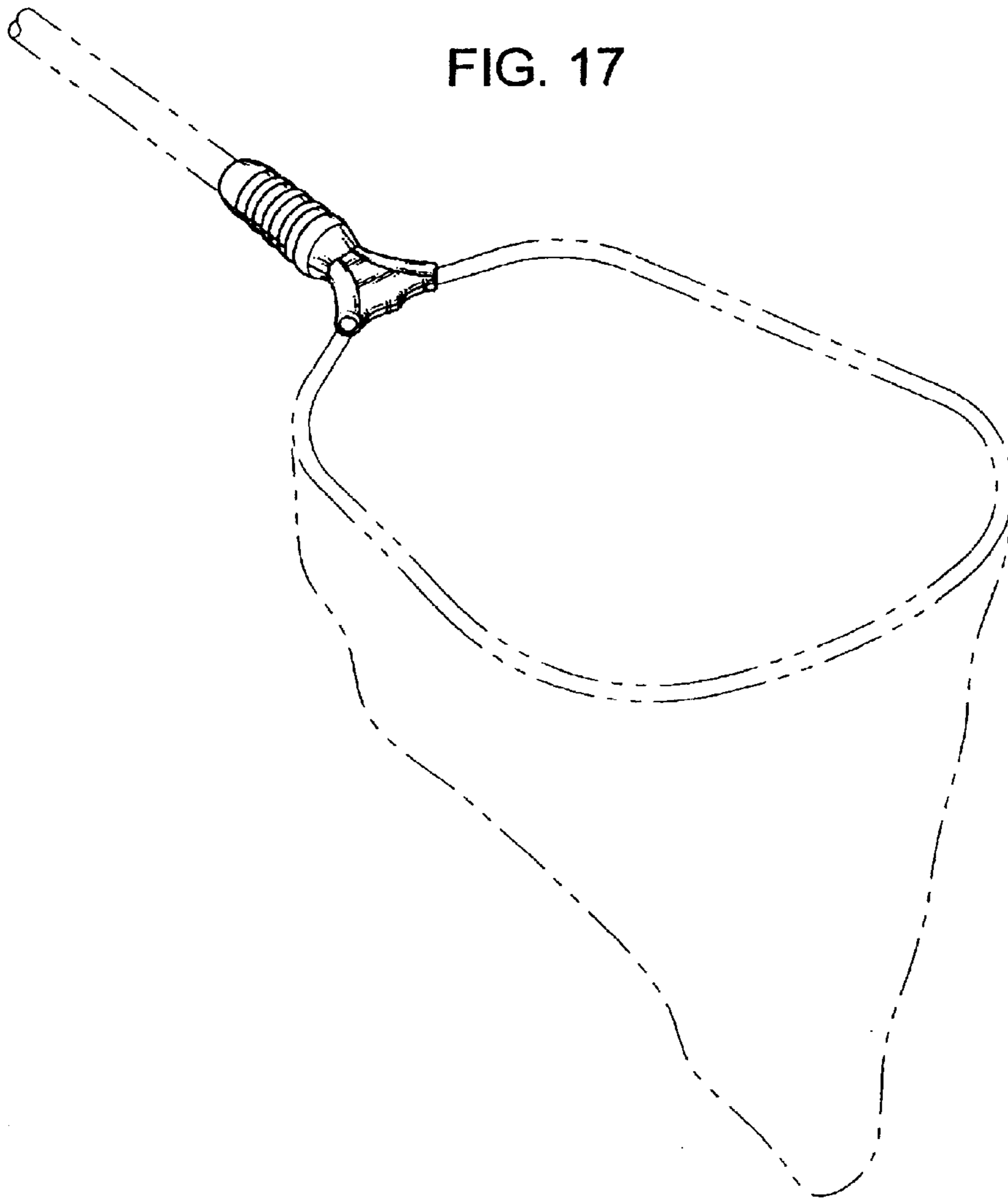


FIG. 17



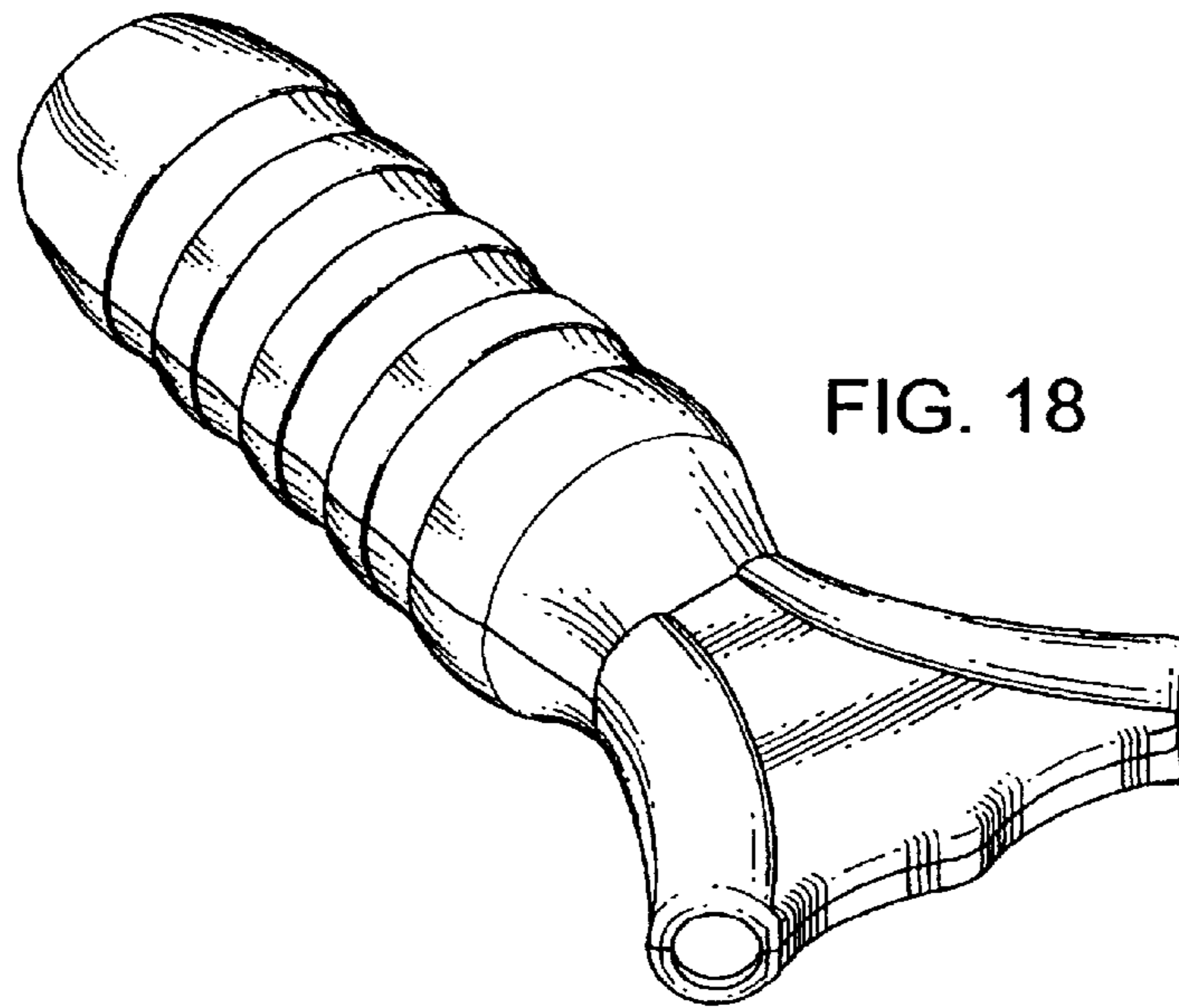


FIG. 18

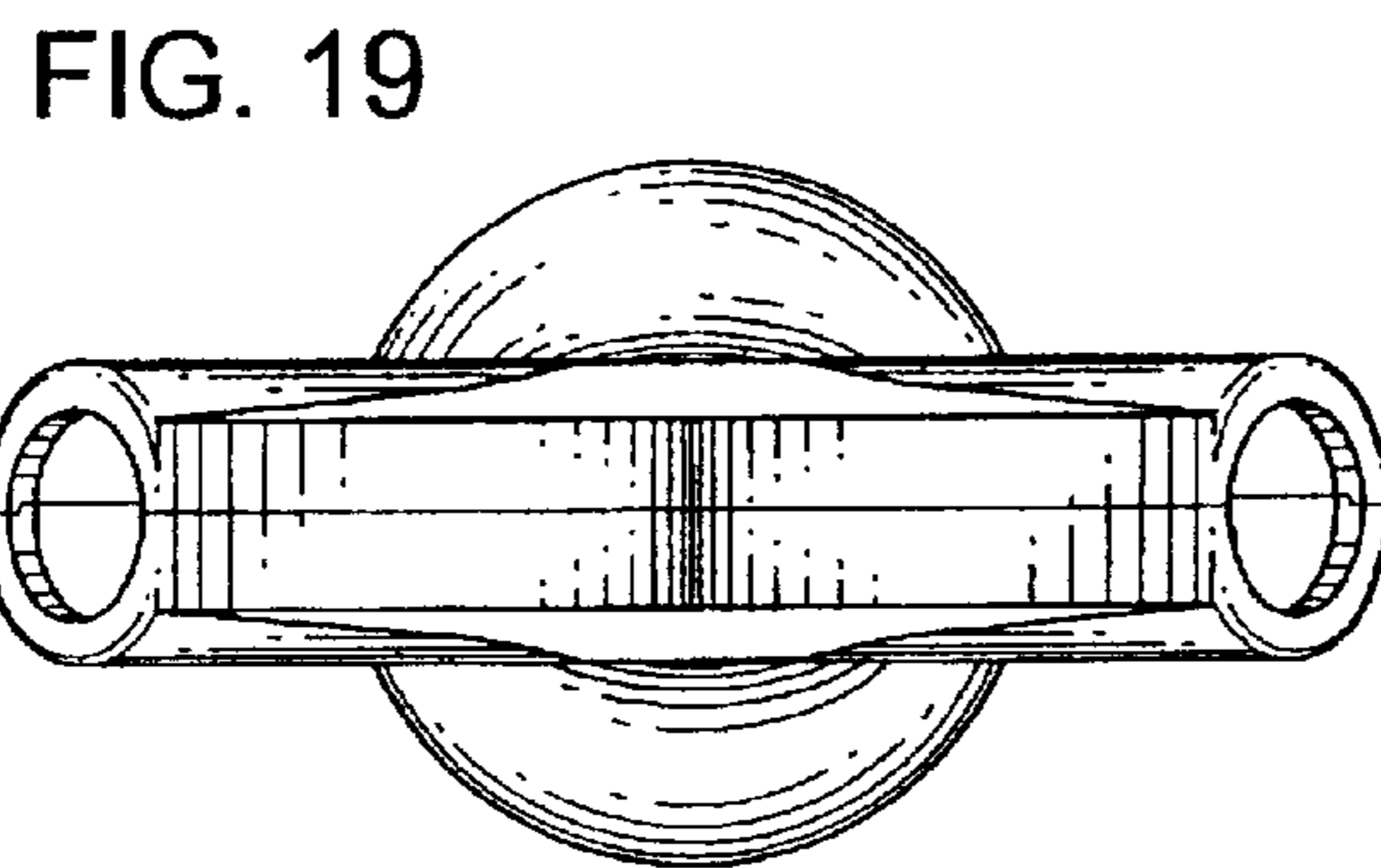


FIG. 19

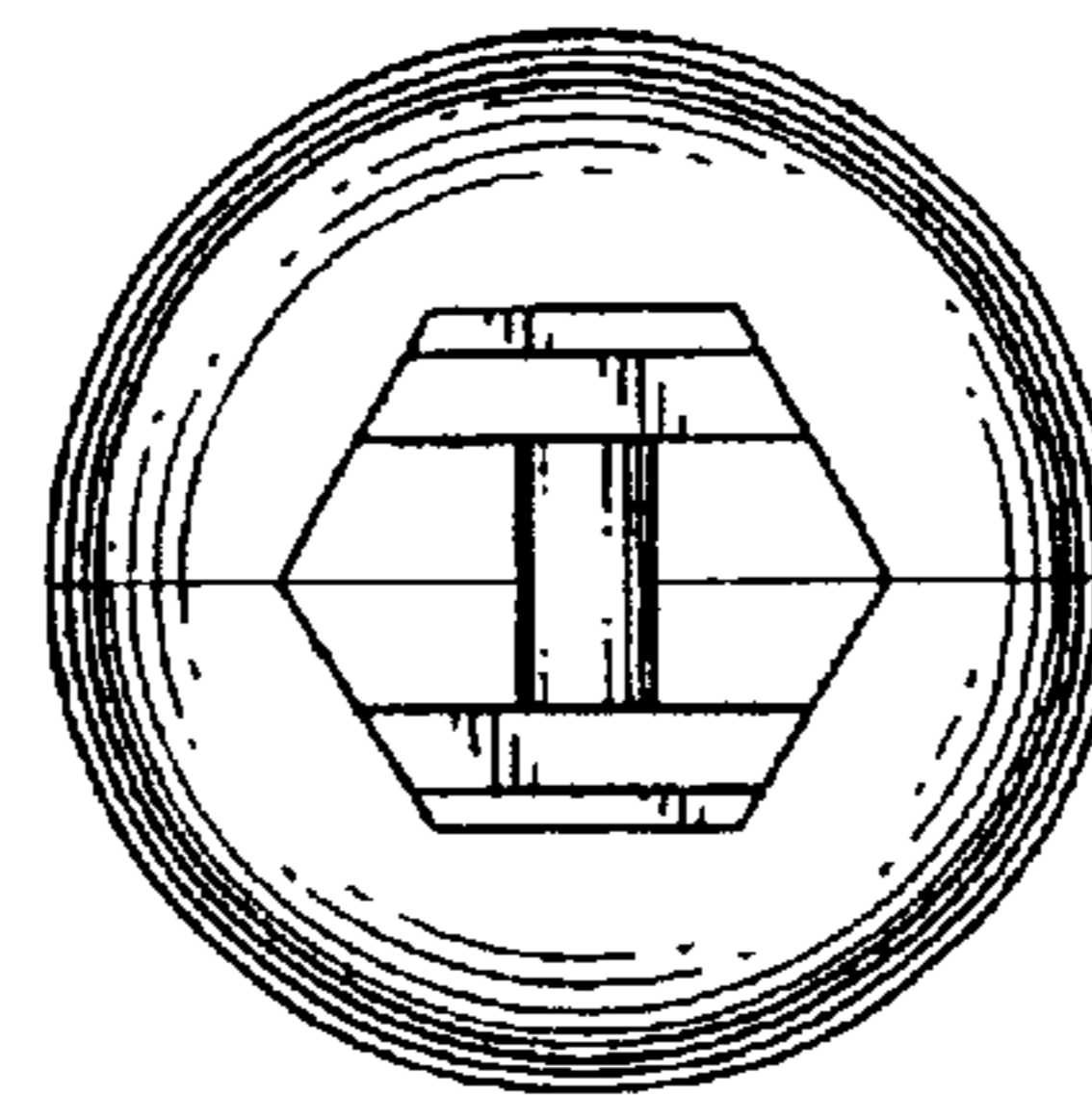


FIG. 20

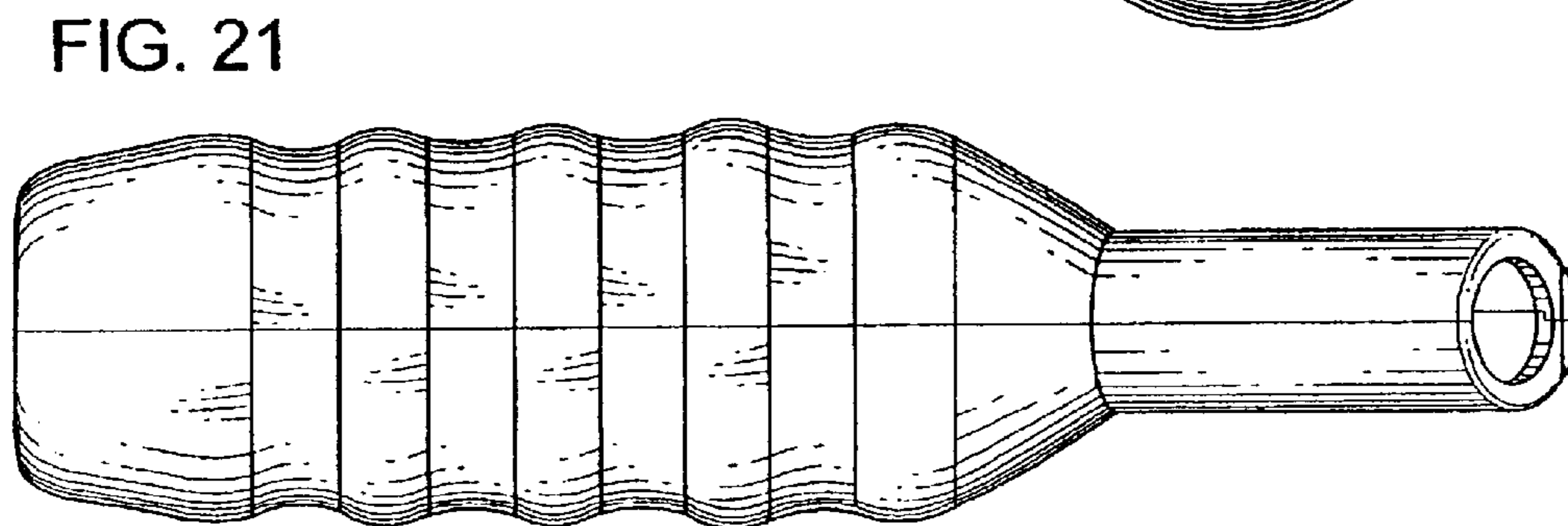


FIG. 21

FIG. 22

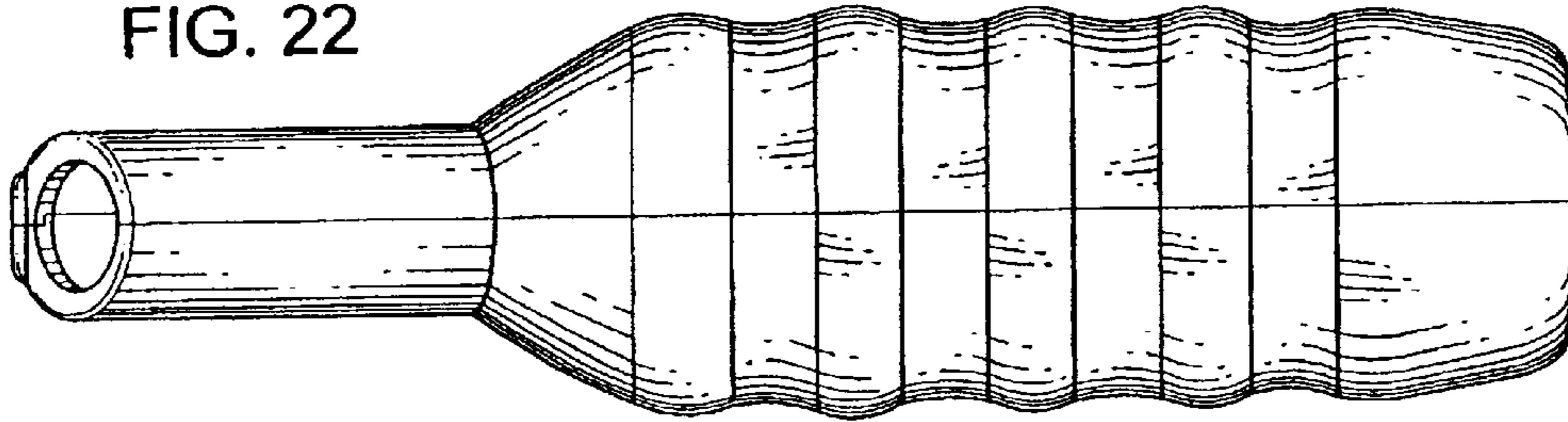


FIG. 23

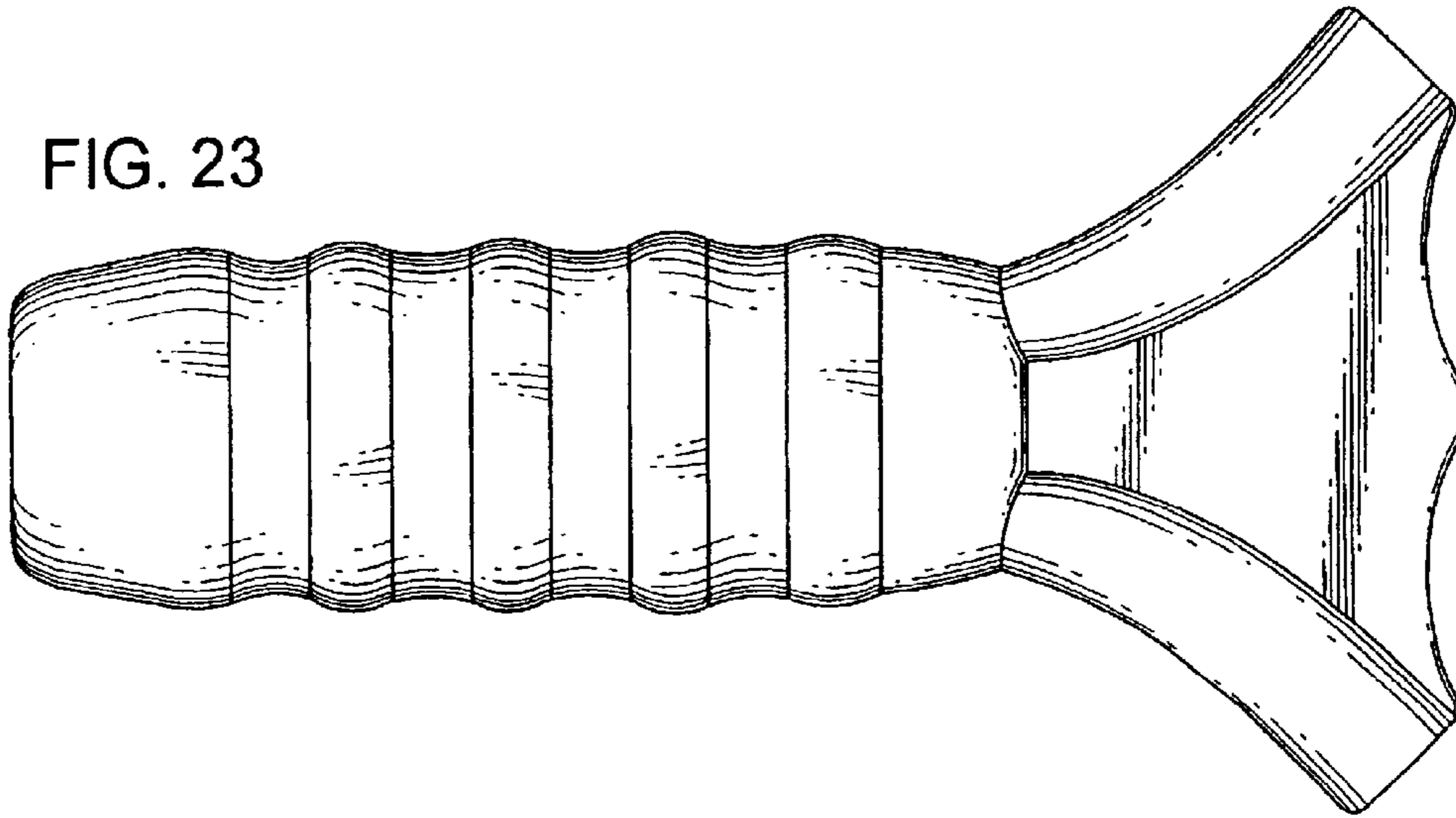


FIG. 24

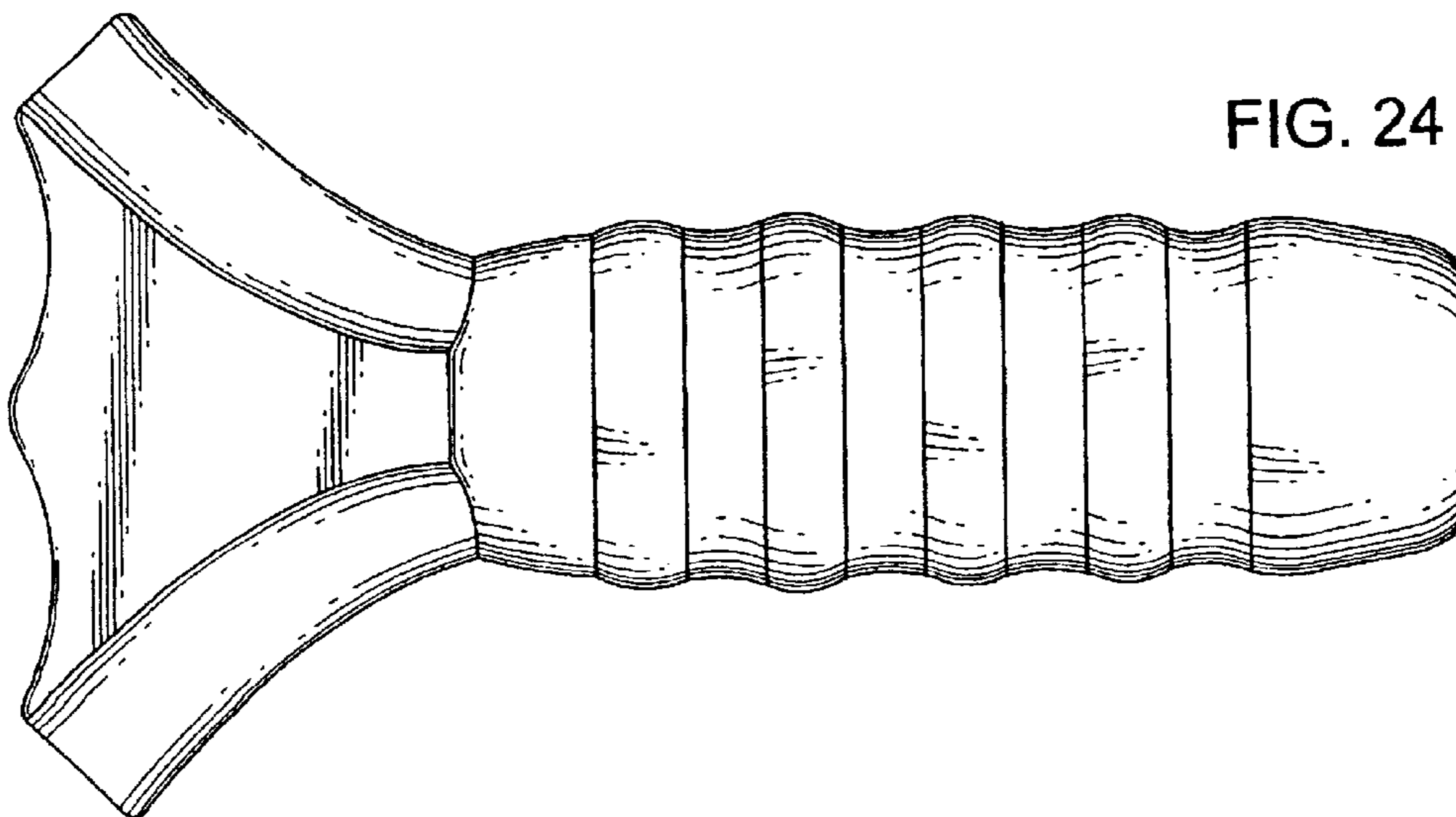
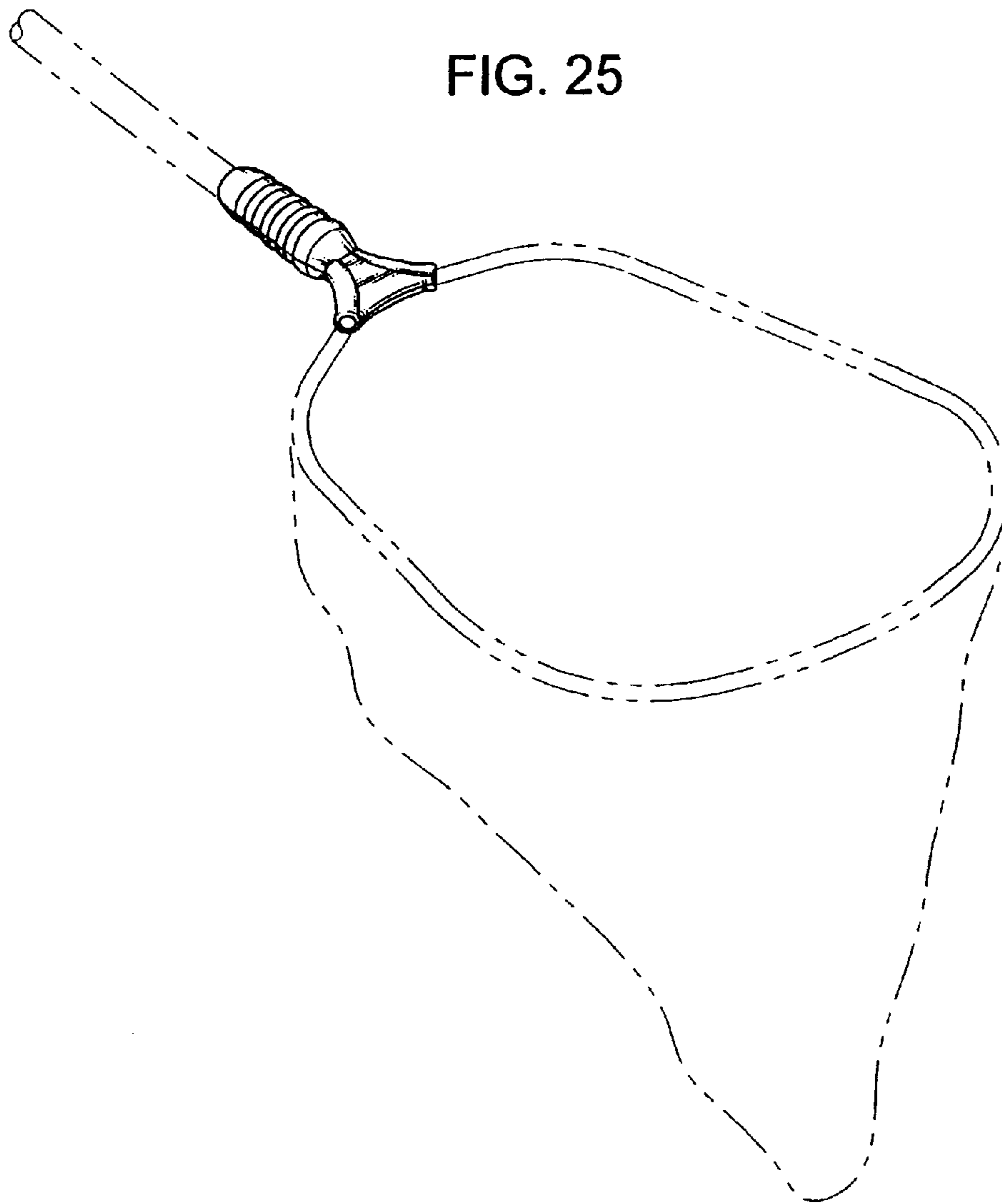


FIG. 25



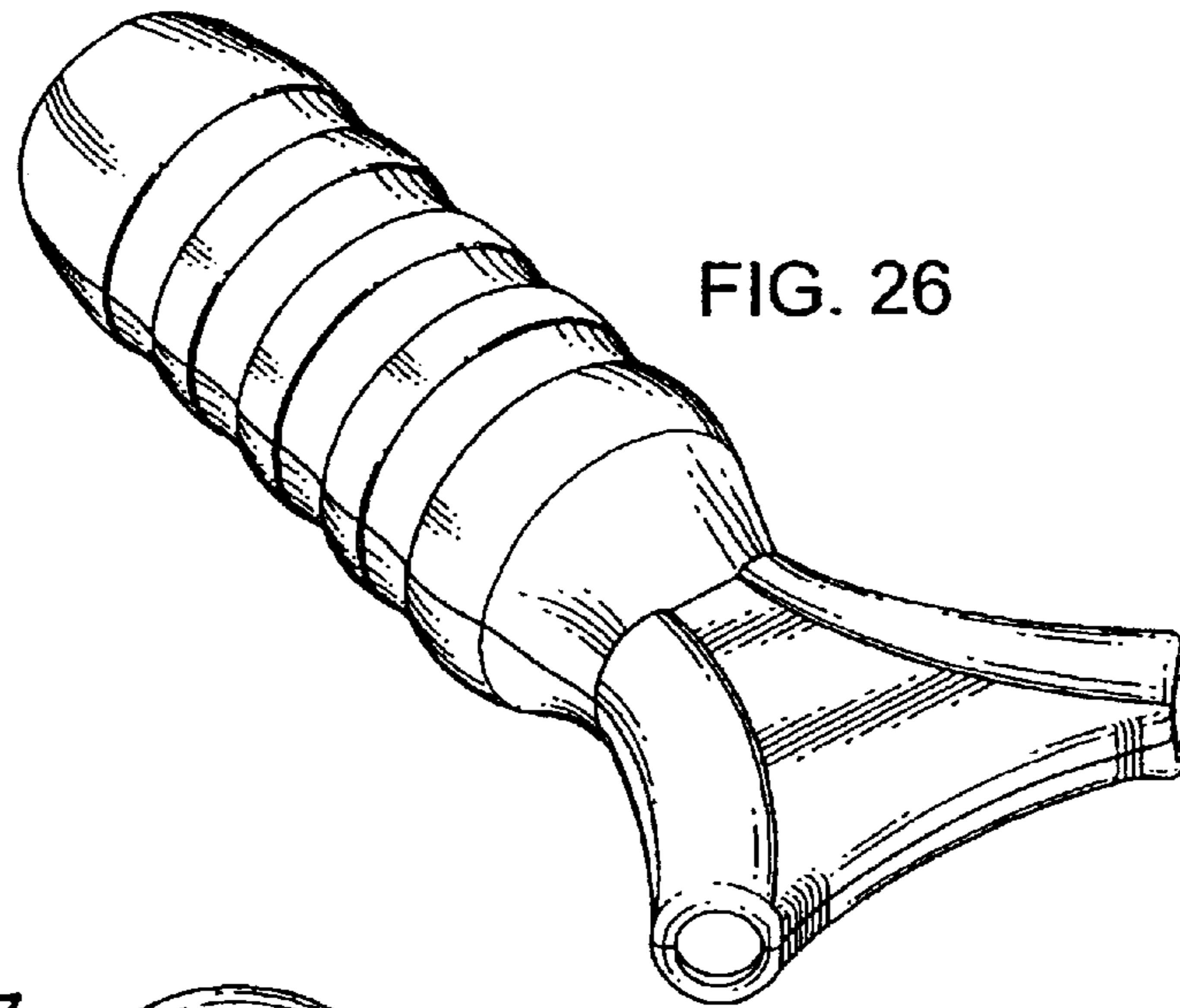


FIG. 26

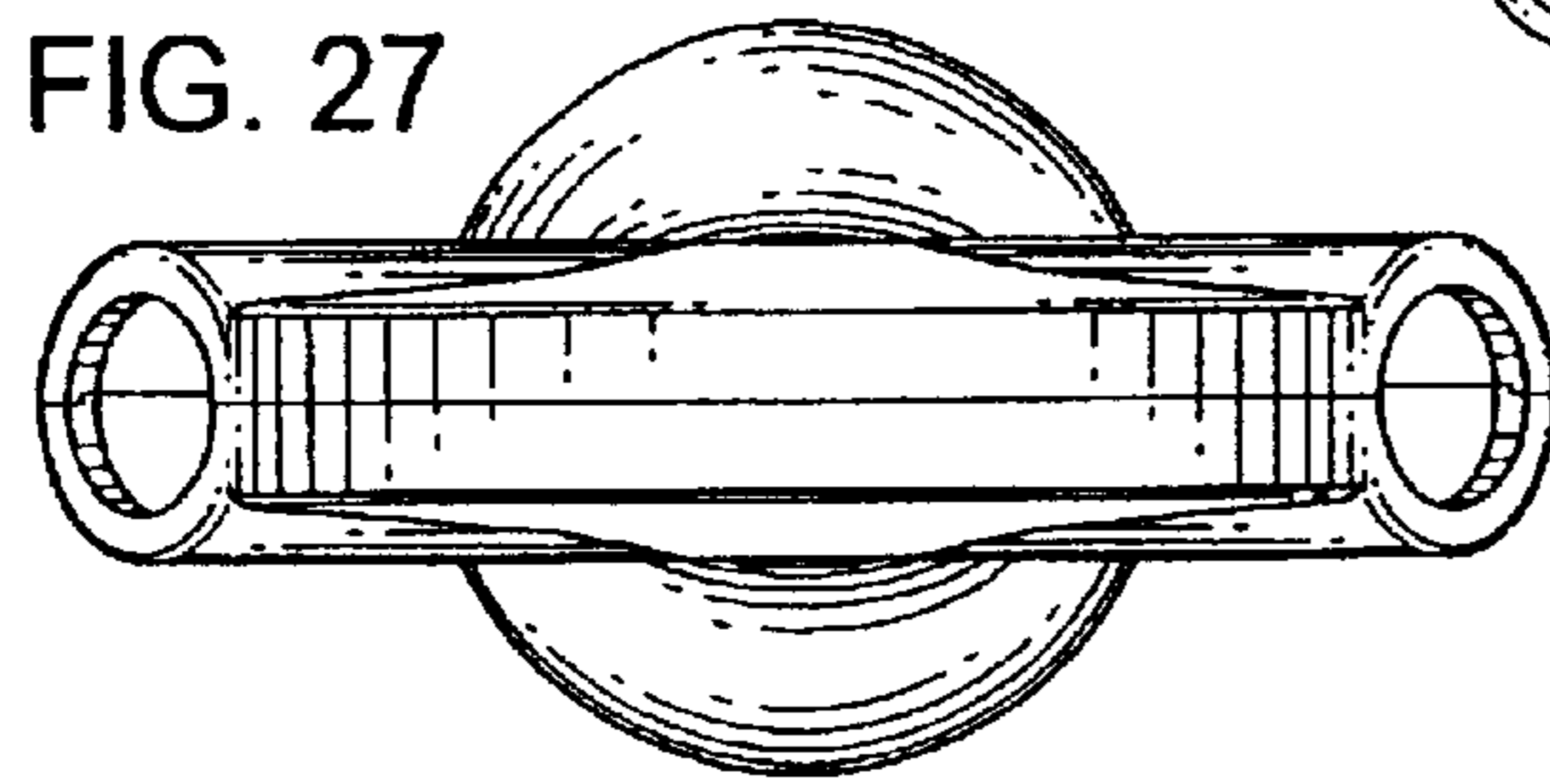


FIG. 27

FIG. 28

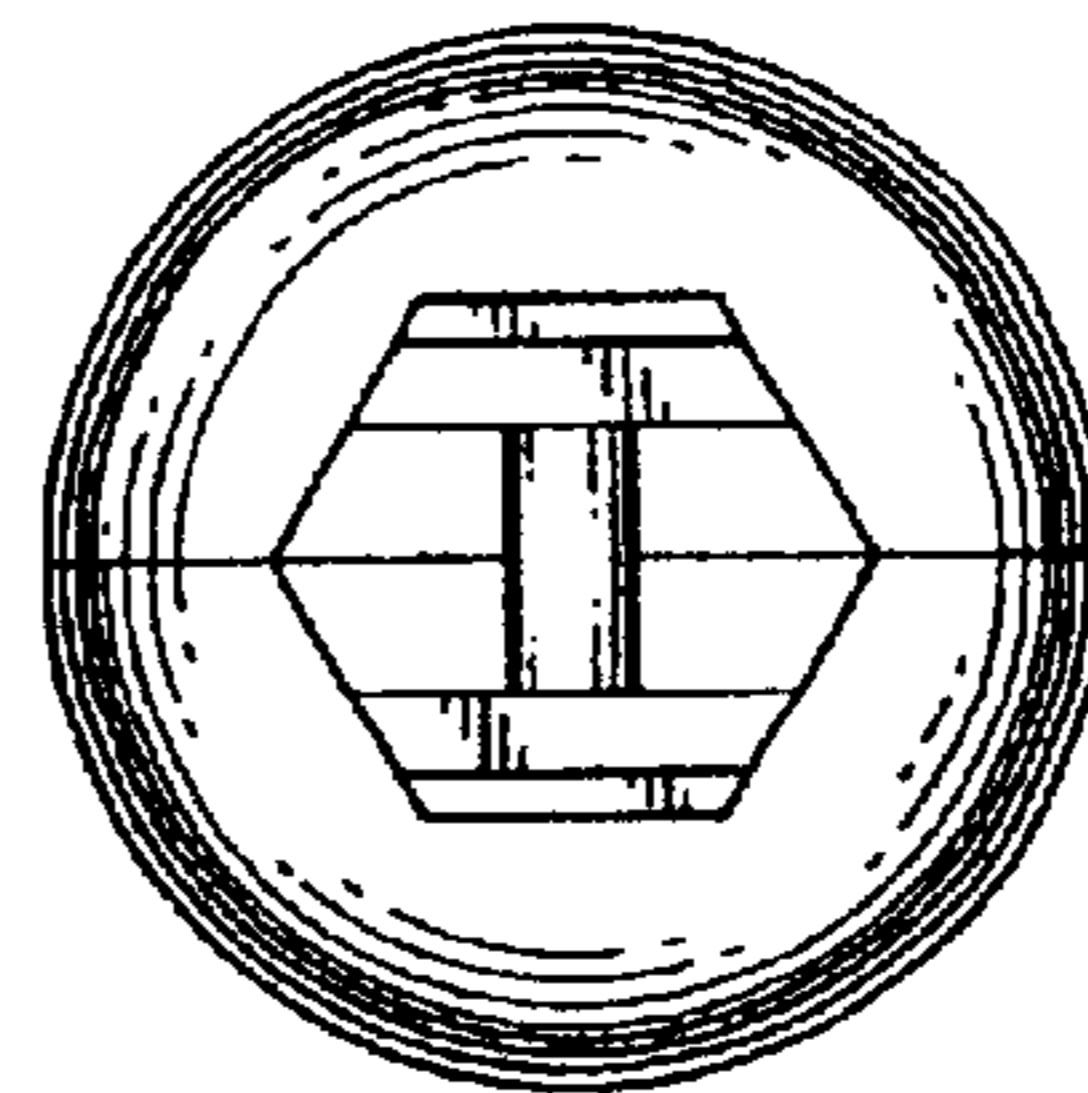


FIG. 29

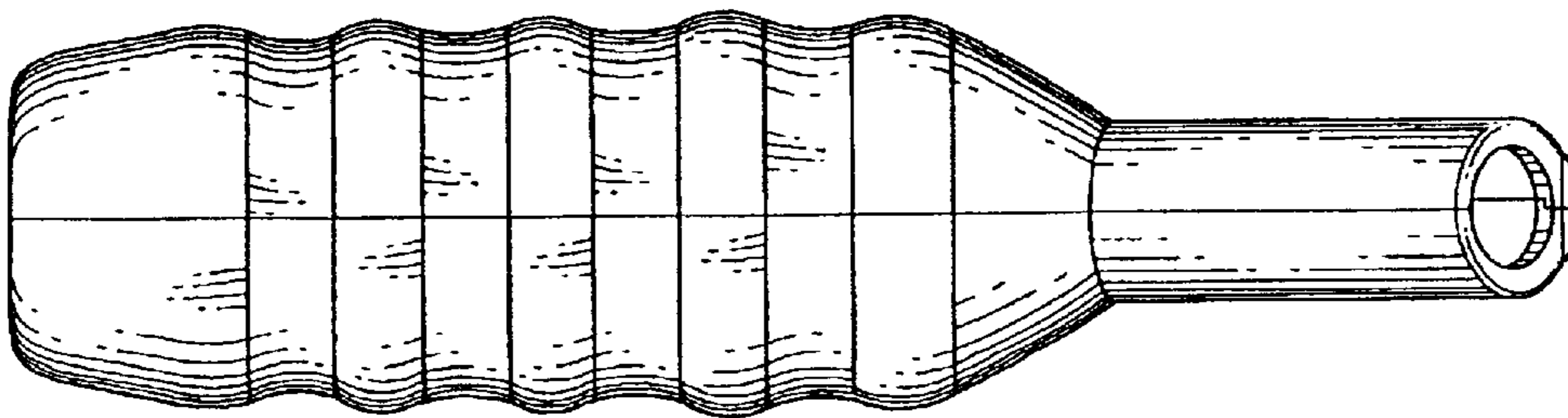


FIG. 30

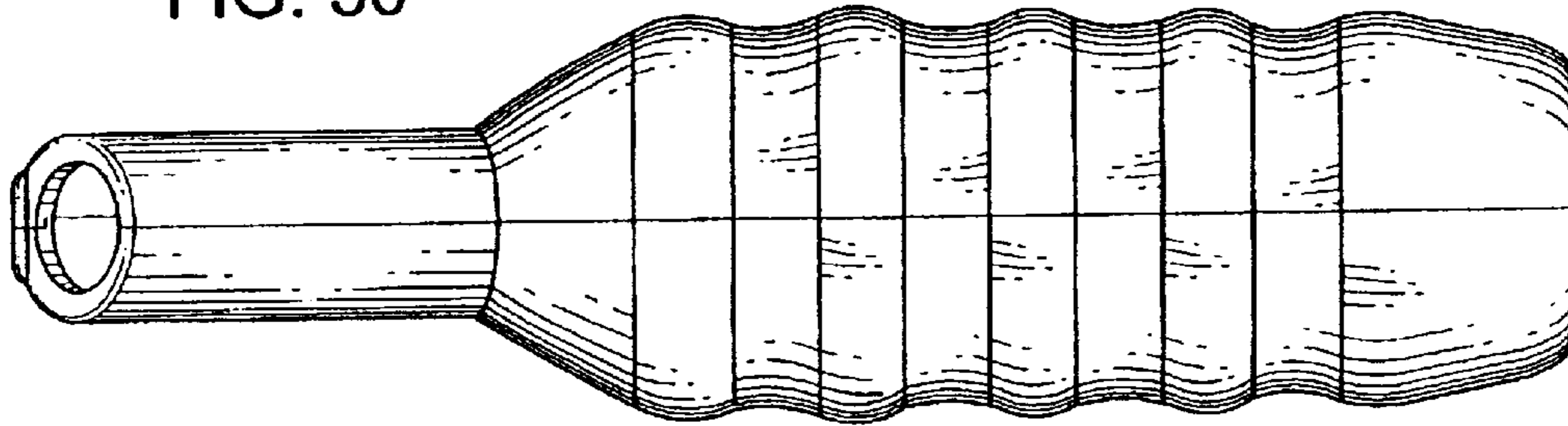


FIG. 31

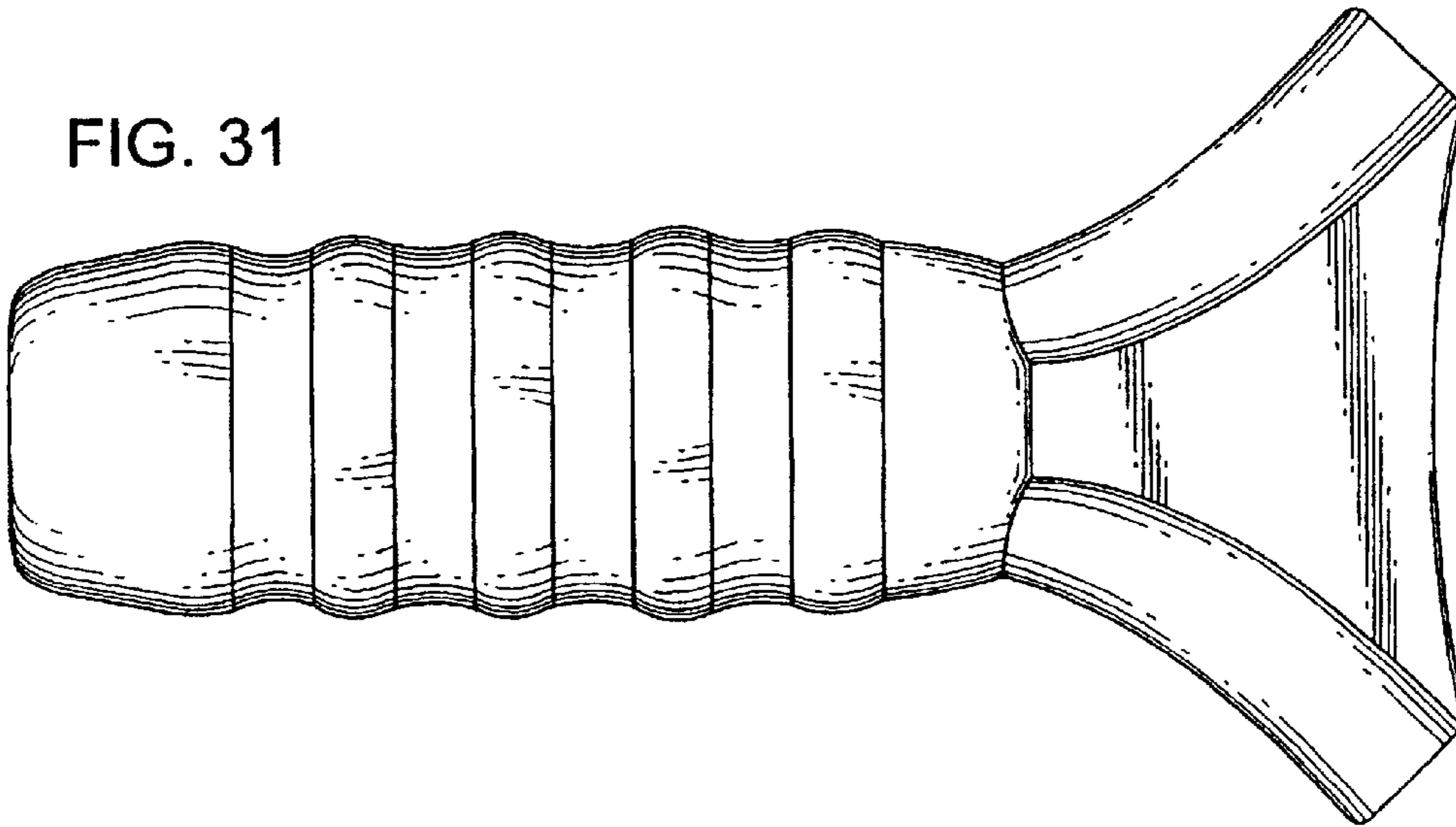


FIG. 32

