



US00D526036S

(12) **United States Design Patent**
Nishitani

(10) **Patent No.:** **US D526,036 S**

(45) **Date of Patent:** **** Aug. 1, 2006**

(54) **GOLF CLUB HEAD**

JP D1151538 9/2002
JP D1159091 11/2002

(75) Inventor: **Masafumi Nishitani**, Kawasaki (JP)

OTHER PUBLICATIONS

(73) Assignee: **Bridgestone Sports Co., Ltd.**, Tokyo (JP)

YKY Company catalog; Tsuruya Axel Ti Tungsten MM; 2001; cover and p. 338.

(**) Term: **14 Years**

T&L Golf magazine; NikeGolf models (two) 1997; Nov./Dec. 2003; cover and two pages.

(21) Appl. No.: **29/201,890**

* cited by examiner

(22) Filed: **Mar. 23, 2004**

Primary Examiner—Mitchell Siegel

(30) **Foreign Application Priority Data**

(57) **CLAIM**

Sep. 23, 2003 (KR) 30-2003-0026724
Sep. 23, 2003 (KR) 30-2003-0026723

The ornamental design for a golf club head, as shown.

(51) **LOC (8) Cl.** **21-02**

DESCRIPTION

(52) **U.S. Cl.** **D21/747**

FIG. 1 is a front view of a first embodiment of a golf club head in accordance with my new design.

(58) **Field of Classification Search** D21/747-751,
D21/759; 473/324-331, 350

FIG. 2 is a rear view of the first embodiment of a golf club head in accordance with my new design.

See application file for complete search history.

FIG. 3 is a left-side view of the first embodiment of a golf club head in accordance with my new design.

(56) **References Cited**

U.S. PATENT DOCUMENTS

FIG. 4 is a right-side view of the first embodiment a golf club head in accordance with of my new design.

D383,820 S	*	9/1997	Watanabe	D21/749
D387,830 S		12/1997	Gilbert	D21/221
D428,635 S		7/2000	Nagai et al.	D21/759
D429,299 S		8/2000	Kubica et al.	D21/748
D442,659 S		5/2001	Kubica et al.	D21/747
D443,008 S		5/2001	Kubica et al.	D21/747
D466,576 S		12/2002	Nagai et al.	D21/759
D466,960 S		12/2002	Imamoto	D21/747
D466,961 S		12/2002	Nagai et al.	D21/759

FOREIGN PATENT DOCUMENTS

JP	D0921621	3/1995
JP	D1012493	6/1998
JP	D0995331-001	10/1999
JP	D1053304	11/1999
JP	D1087533	10/2000
JP	D1087897	10/2000
JP	D1128454	12/2001
JP	D1139214	4/2002
JP	D1151537	9/2002

FIG. 5 is a top view of the first embodiment of a golf club head in accordance with my new design.

FIG. 6 is a bottom view of the first embodiment a golf club head in accordance with of my new design.

FIG. 7 is a perspective view of the first embodiment of a golf club head in accordance with my new design.

FIG. 8 is a rear view of a second embodiment of a golf club head in accordance with my new design.

FIG. 9 is a bottom view of the second embodiment of a golf club head in accordance with my new design; and,

FIG. 10 is a perspective view of the second embodiment of a golf club head in accordance with my new design.

The front, left, right and top views of the second embodiment of a golf club head in accordance with my new design are as shown in FIGS. 1, 3, 4 and 5, respectively, with regard to the first embodiment of a golf club head in accordance with my new design.

1 Claim, 6 Drawing Sheets

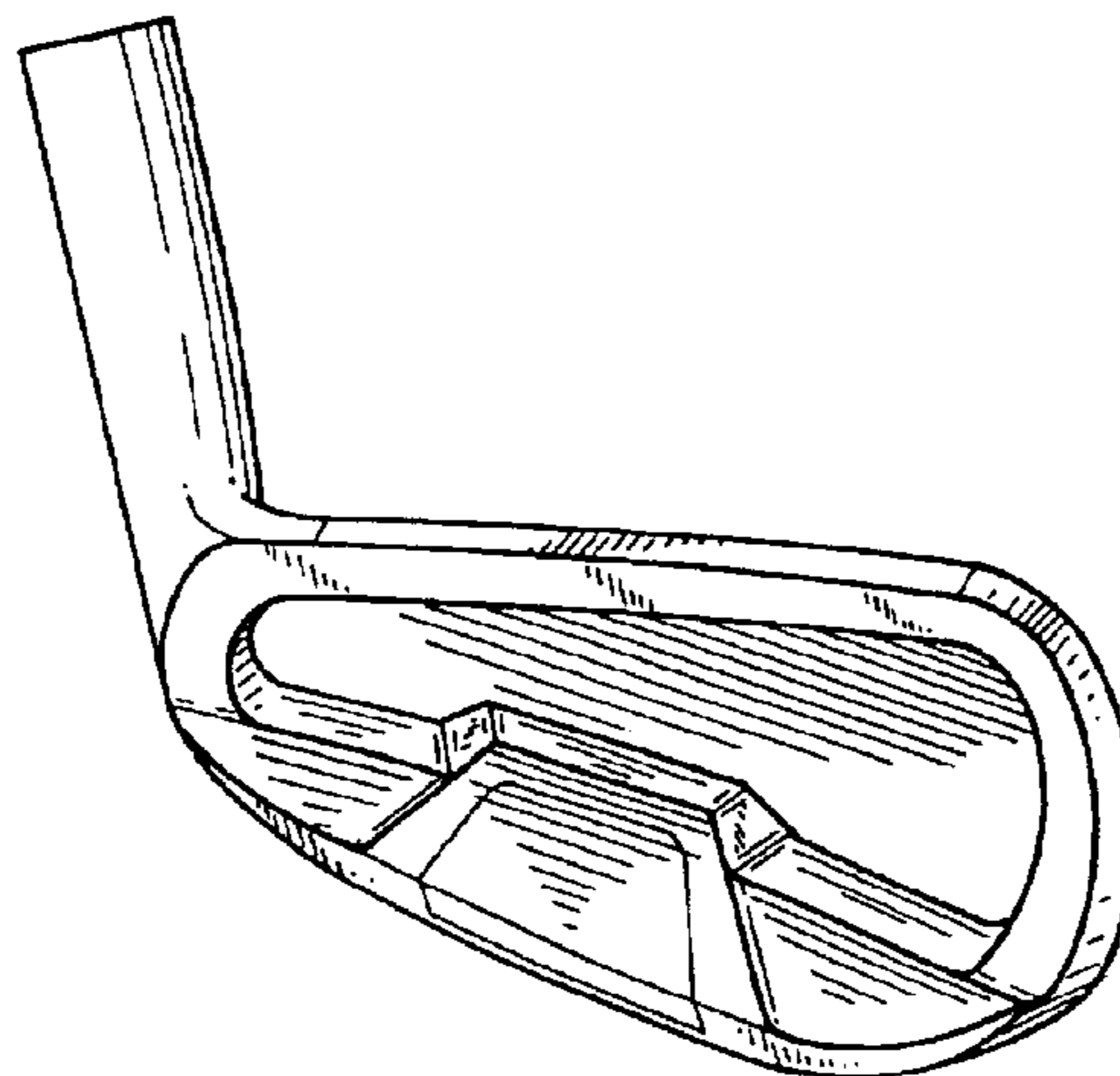


FIG. 1

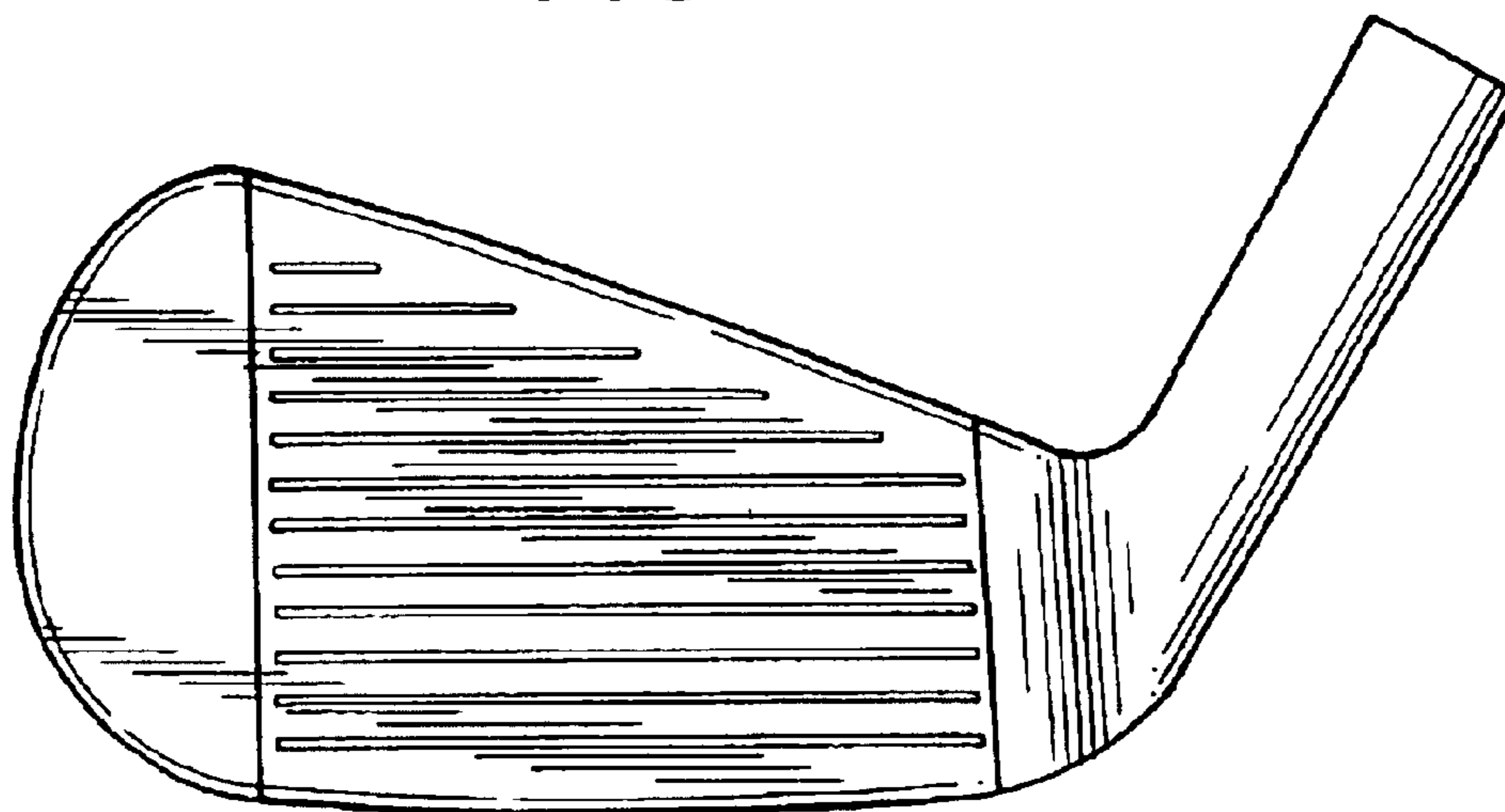


FIG. 2

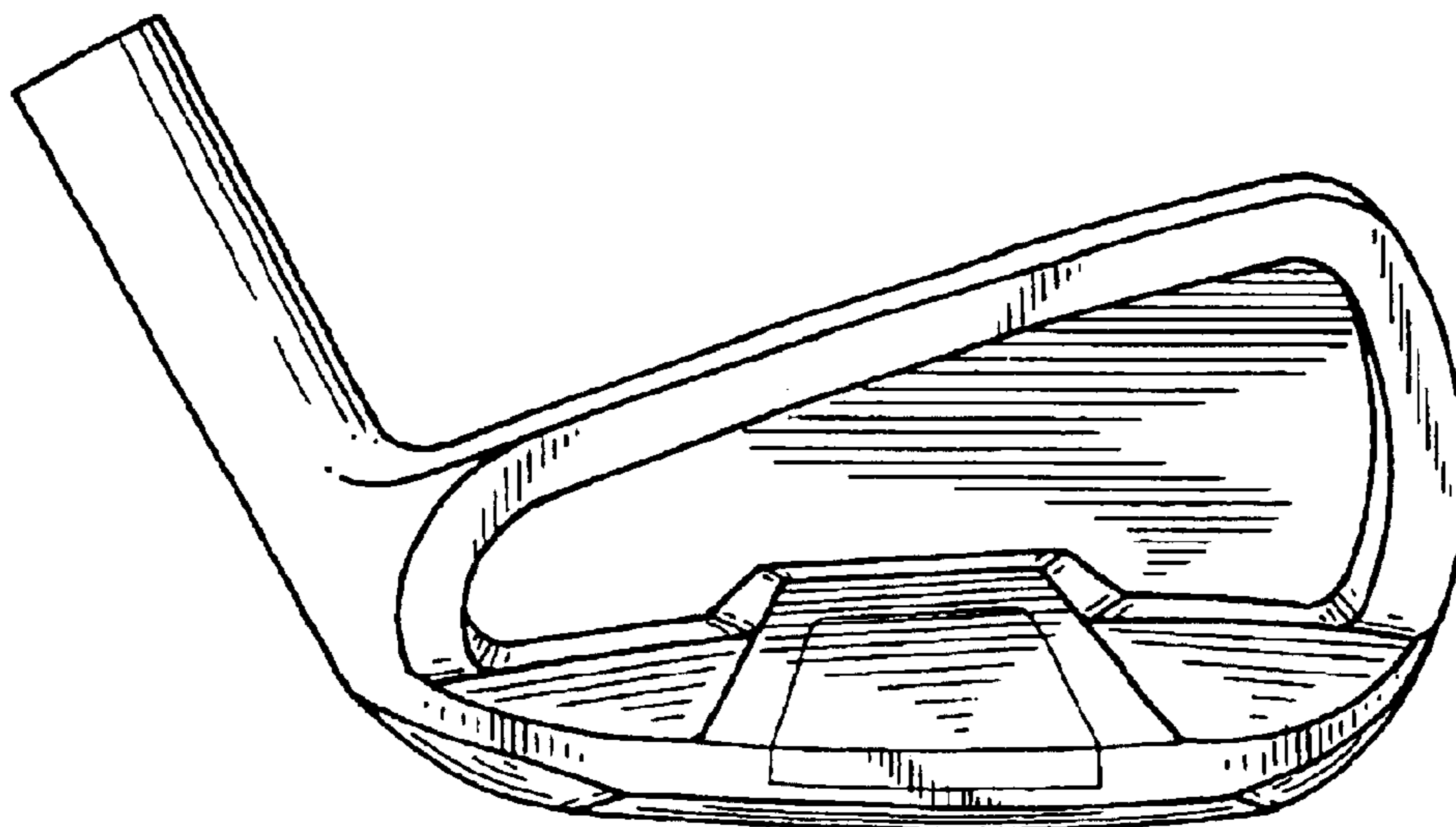


FIG. 3



FIG. 4

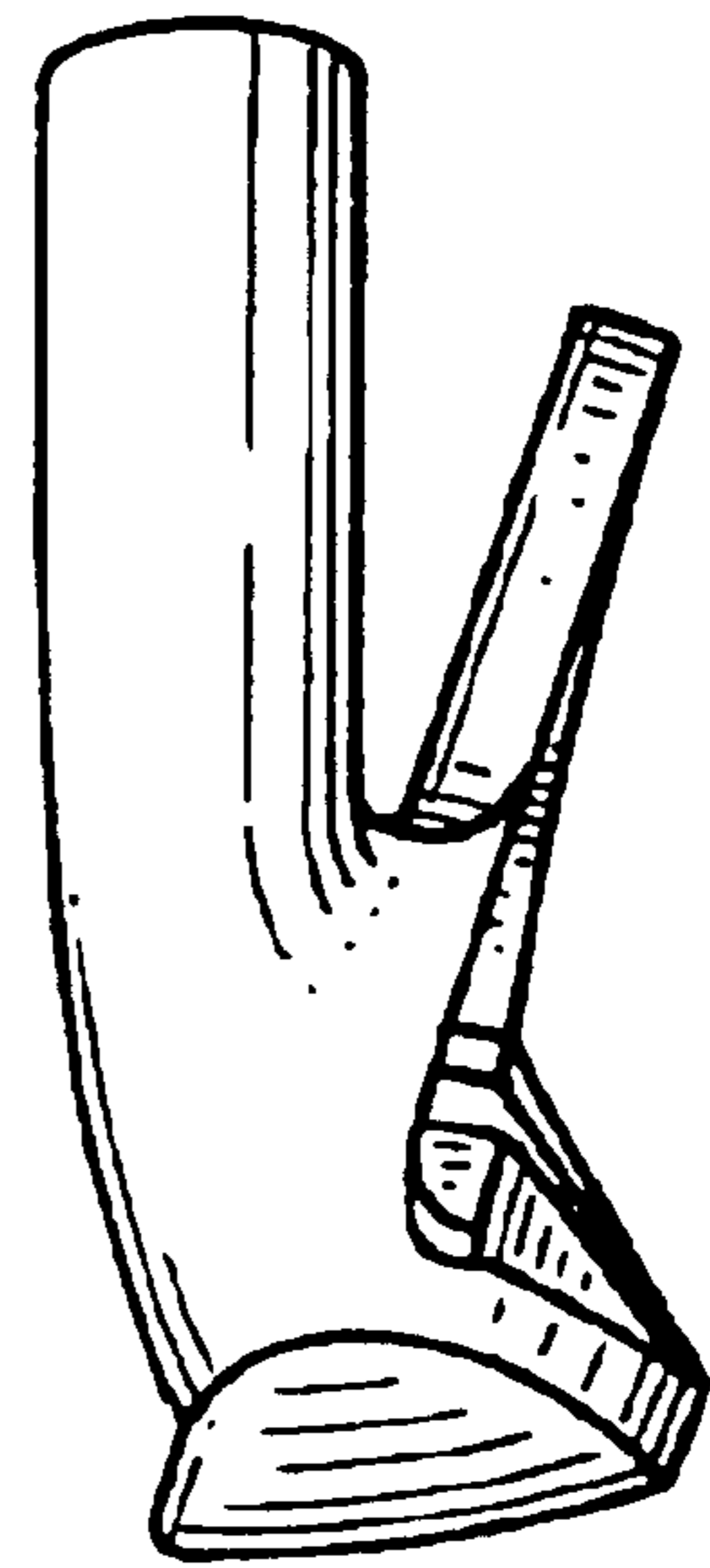


FIG. 5

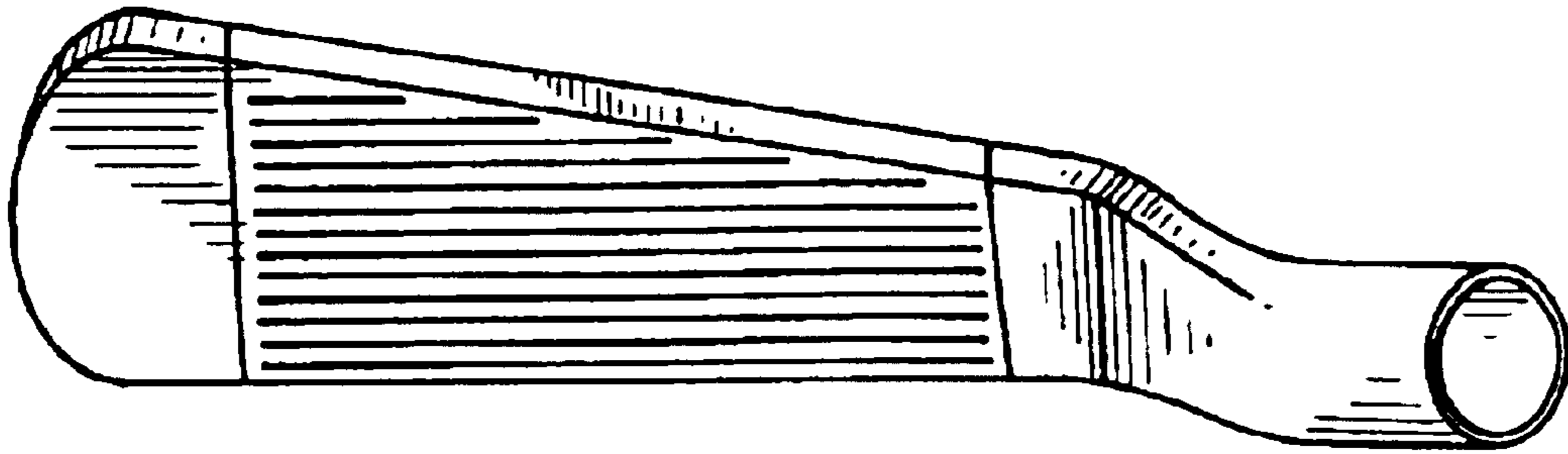


FIG. 6

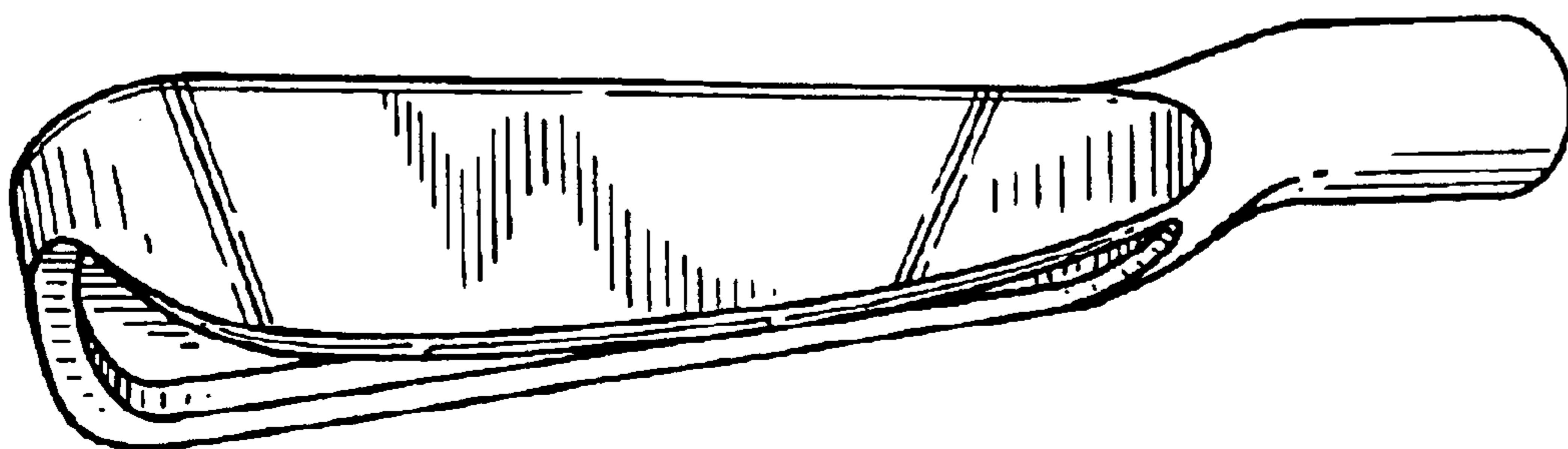


FIG. 7

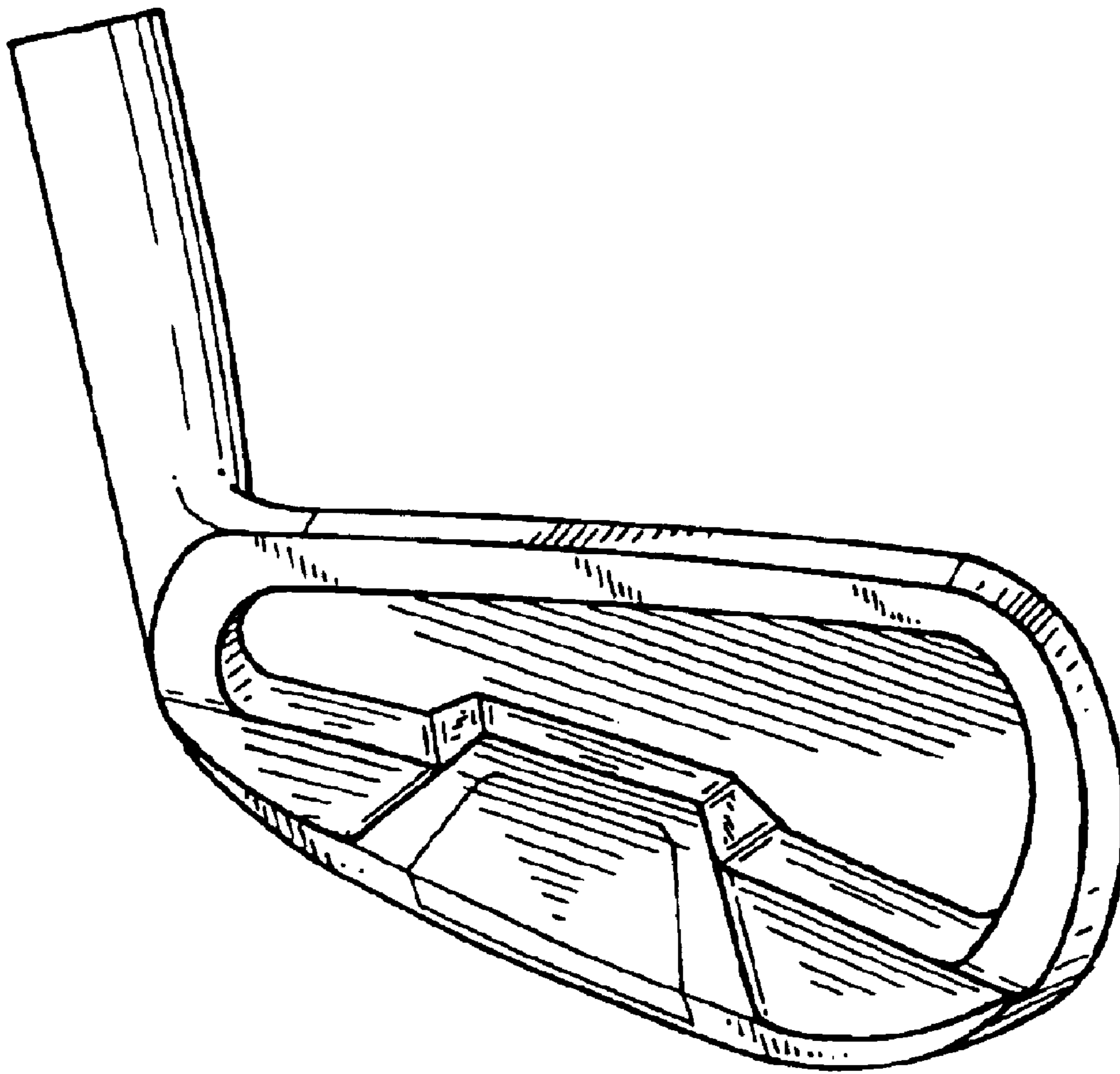


FIG. 8

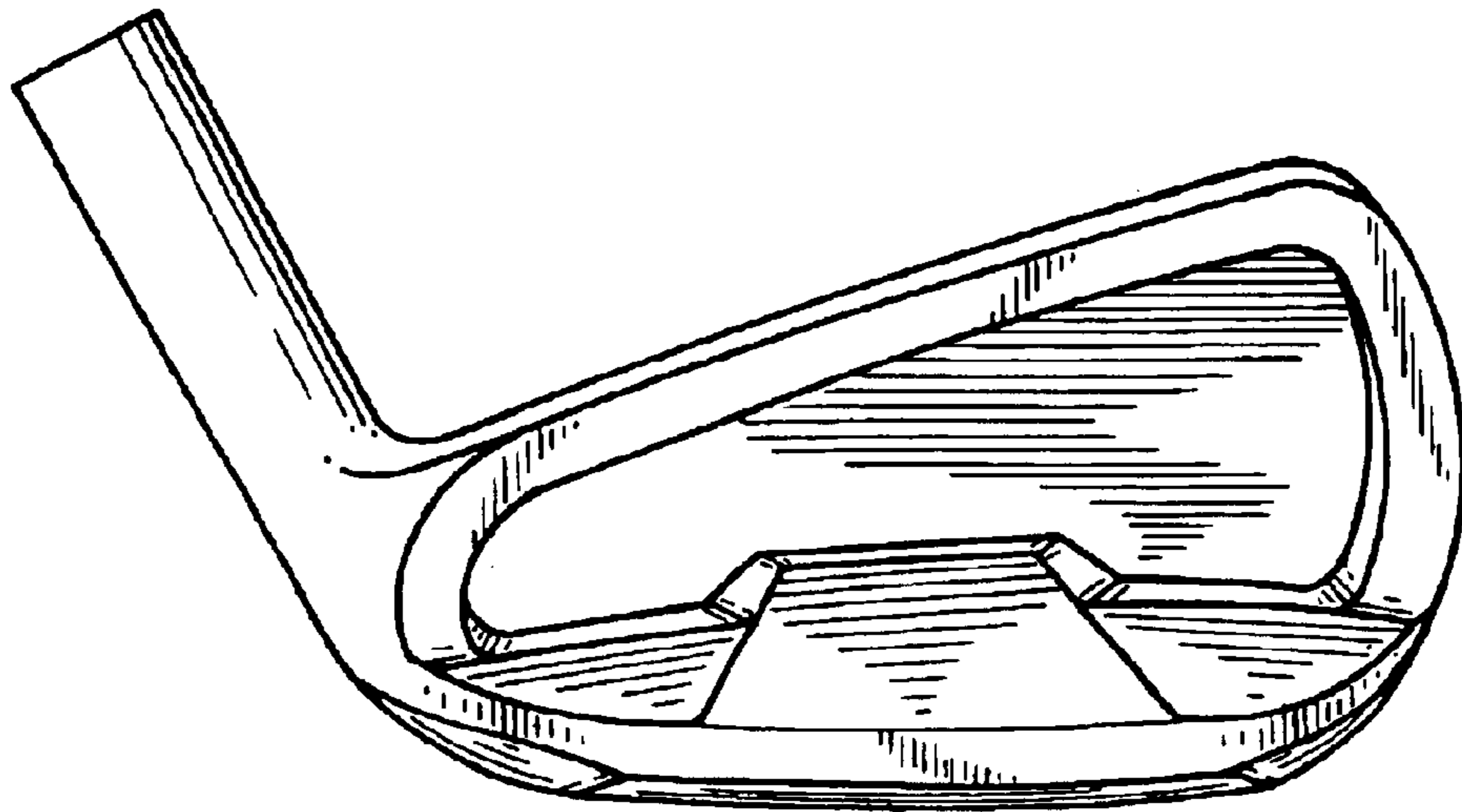


FIG. 9

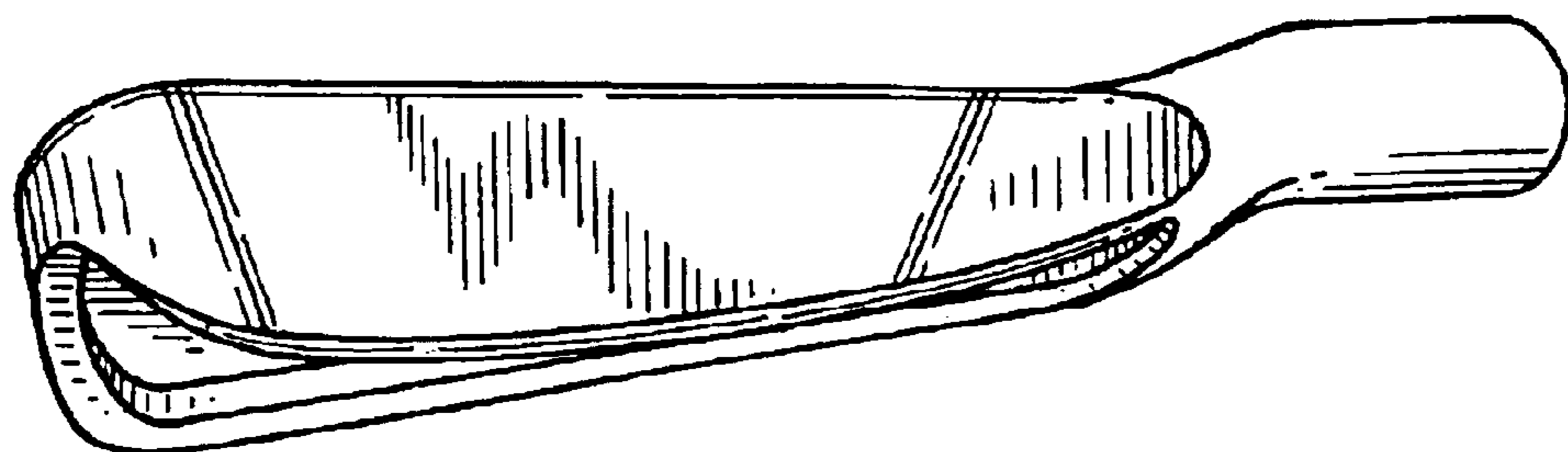


FIG. 10

