



US00D526032S

(12) **United States Design Patent**  
**Wu**

(10) **Patent No.:** **US D526,032 S**

(45) **Date of Patent:** **\*\* Aug. 1, 2006**

(54) **EXERCISER**

(75) Inventor: **Shen Yi Wu, Wu Feng (TW)**

(73) Assignee: **Strength Master Health Corp.,  
Taichung (TW)**

(\*\*) Term: **14 Years**

(21) Appl. No.: **29/233,202**

(22) Filed: **Jun. 30, 2005**

(51) **LOC (8) Cl.** ..... **21-02**

(52) **U.S. Cl.** ..... **D21/676; D21/673**

(58) **Field of Classification Search** ..... **D21/662,  
D21/673, 674, 675, 676; 482/112, 130, 133,  
482/137, 135**

See application file for complete search history.

(56) **References Cited**

**U.S. PATENT DOCUMENTS**

- 4,240,627 A \* 12/1980 Brentham ..... 482/112
- 5,277,681 A \* 1/1994 Holt ..... 482/112
- 5,393,286 A \* 2/1995 Cheng ..... 482/130
- D360,666 S \* 7/1995 Rockwell et al. .... D21/676

- 5,435,801 A \* 7/1995 Hung ..... 482/130
- D360,924 S \* 8/1995 Rockwell et al. .... D21/688
- D367,901 S \* 3/1996 Real ..... D21/676
- 5,518,482 A \* 5/1996 Hsieh ..... 482/130
- 6,117,055 A \* 9/2000 Boland ..... 482/121

\* cited by examiner

*Primary Examiner*—Philip S. Hyder

(74) *Attorney, Agent, or Firm*—Rosenberg, Klein & Lee

(57) **CLAIM**

The ornamental design for a exerciser, as shown and described.

**DESCRIPTION**

FIG. 1 is a perspective view of a exerciser showing my new design;

FIG. 2 is a front elevational view thereof;

FIG. 3 is a rear elevational view thereof;

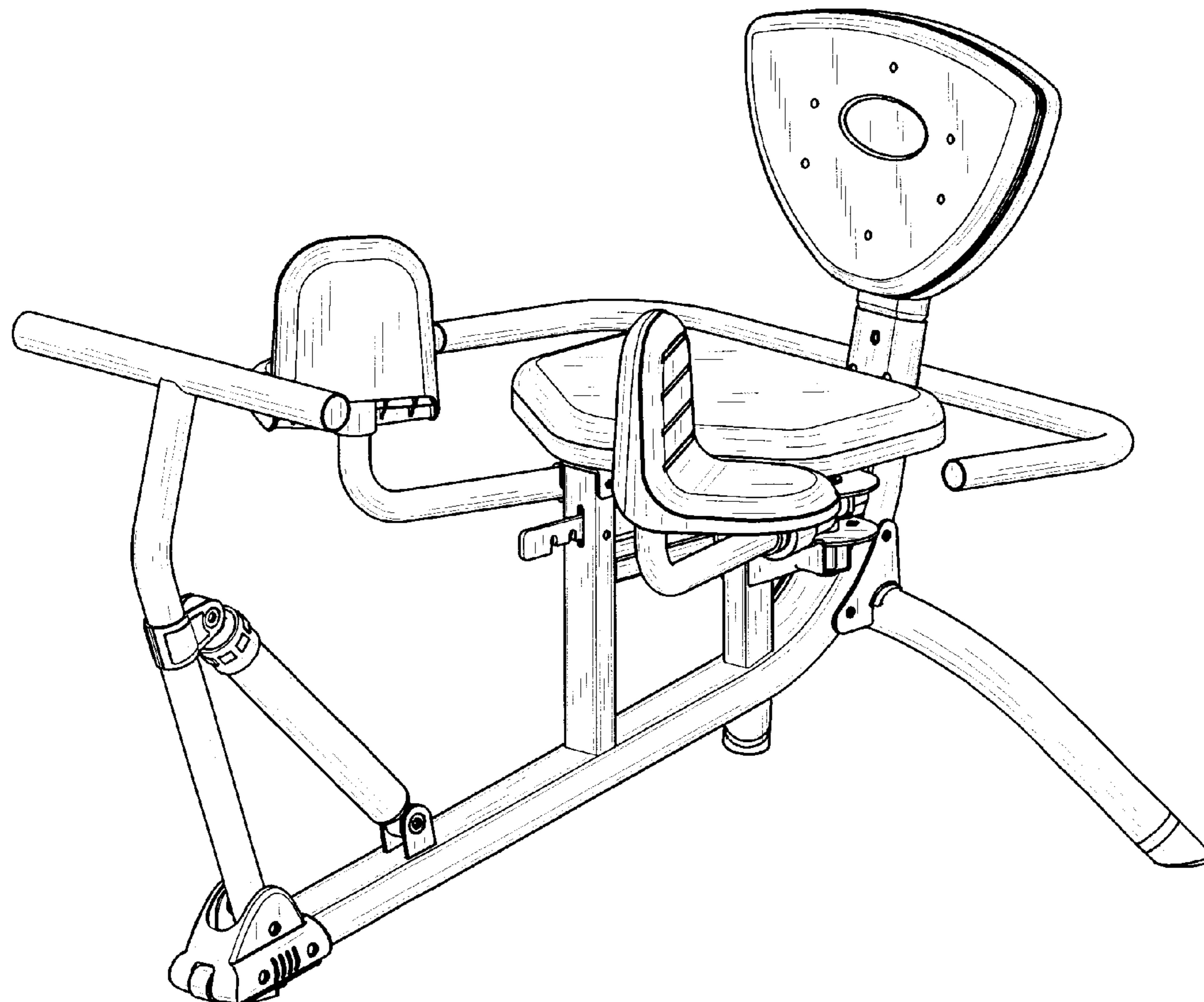
FIG. 4 is a left side view thereof;

FIG. 5 is a right side view thereof;

FIG. 6 is a top plan view thereof; and,

FIG. 7 is a bottom plan view thereof.

**1 Claim, 7 Drawing Sheets**



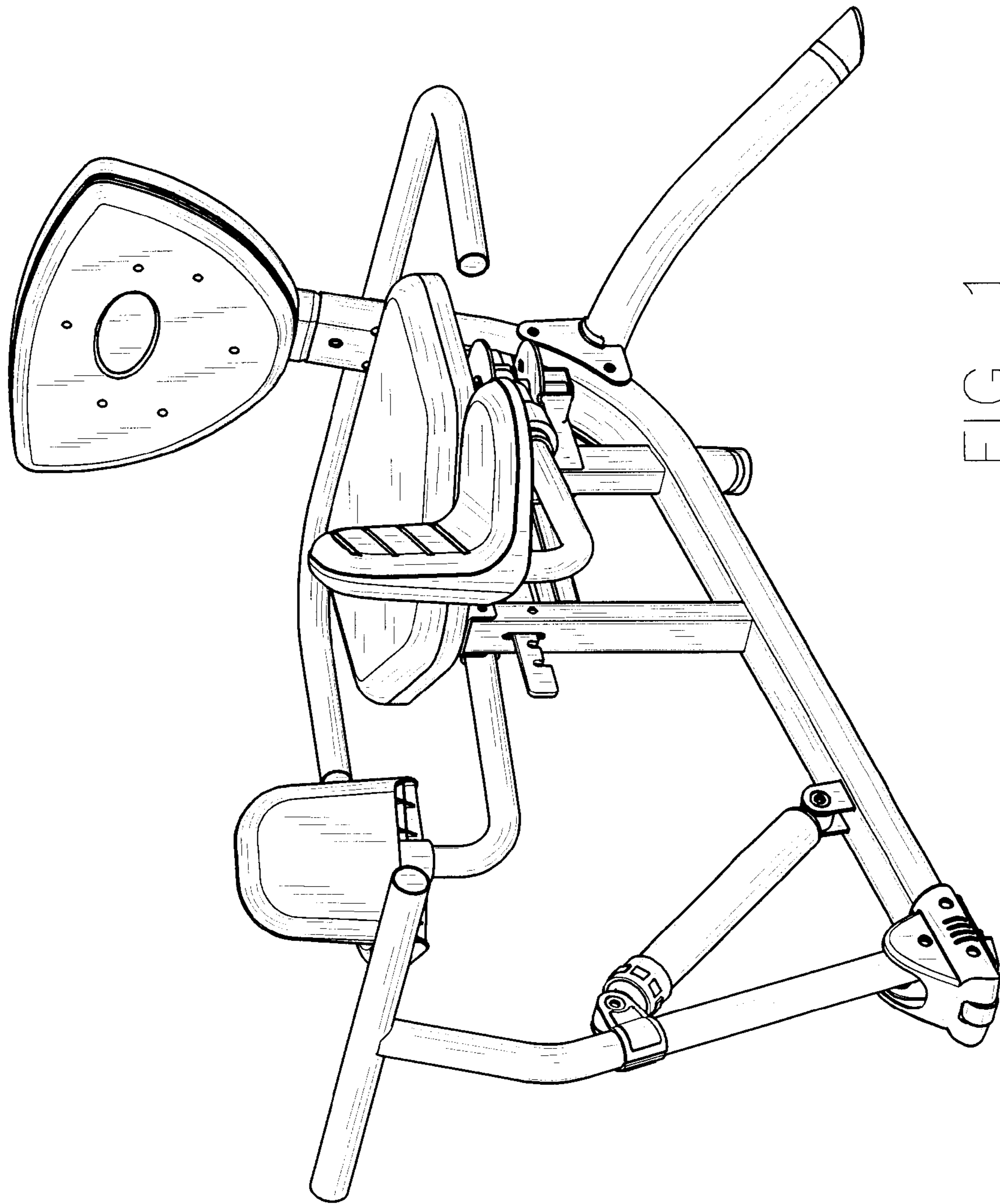


FIG. 1

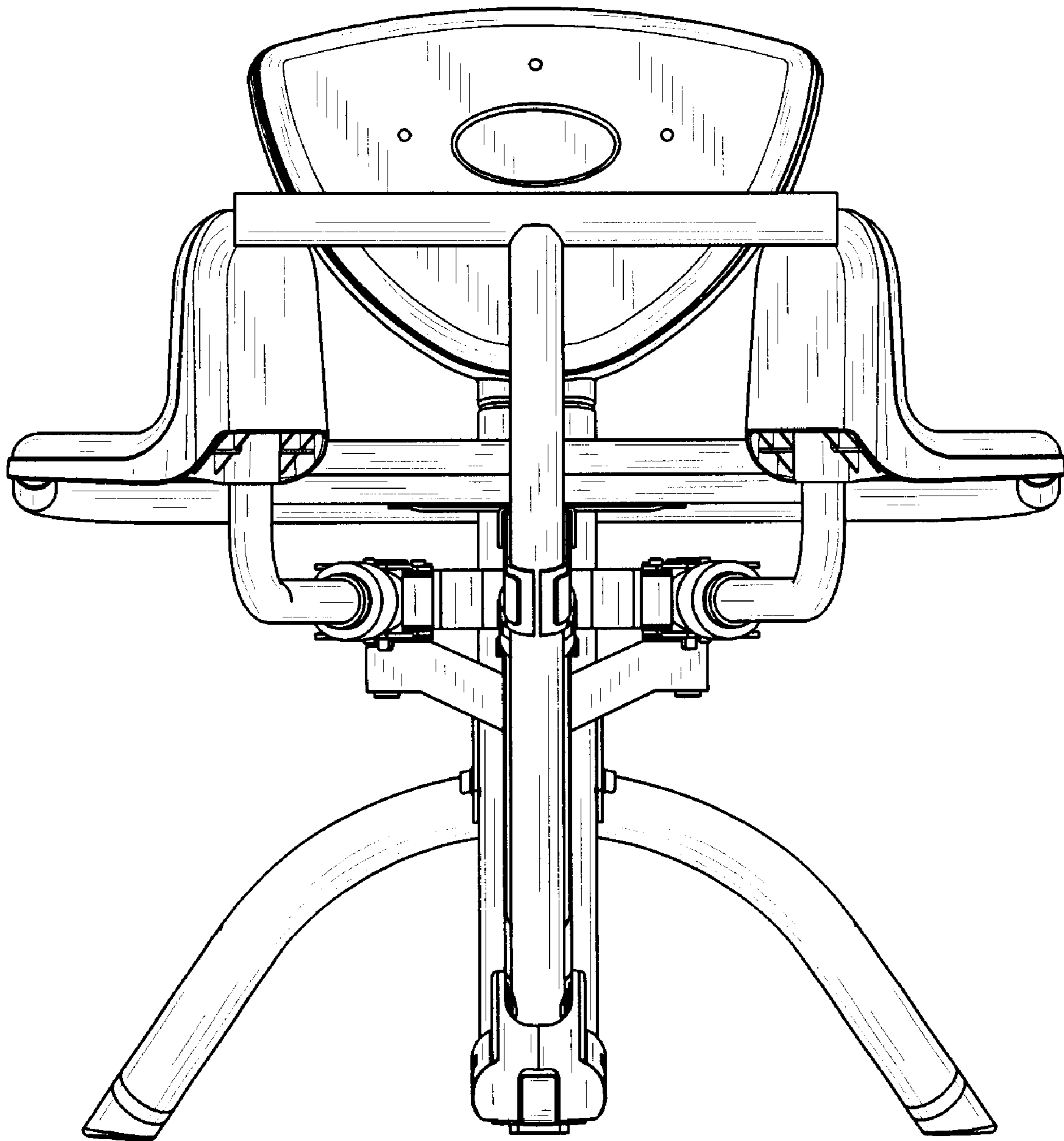


FIG. 2

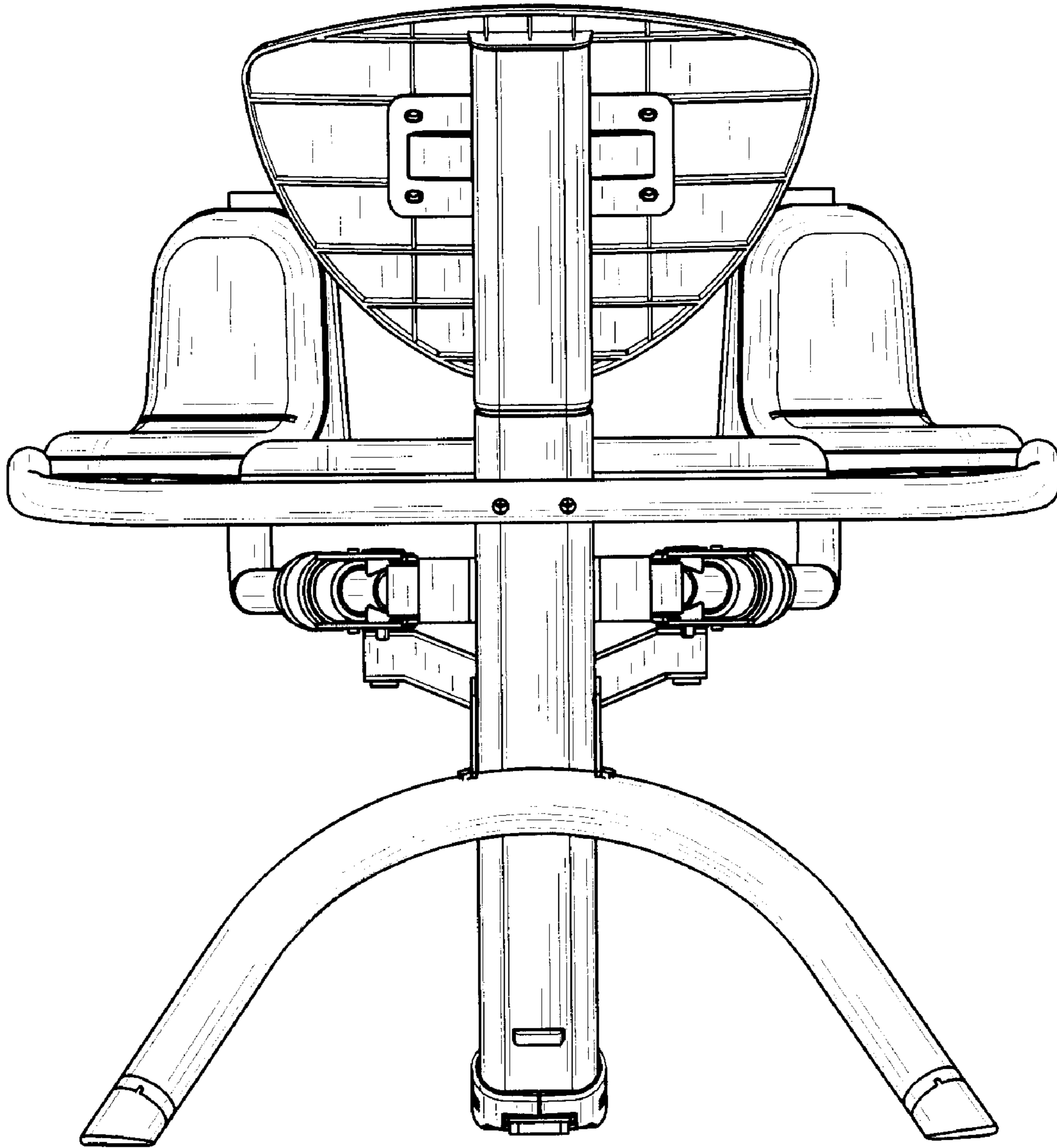


FIG. 3

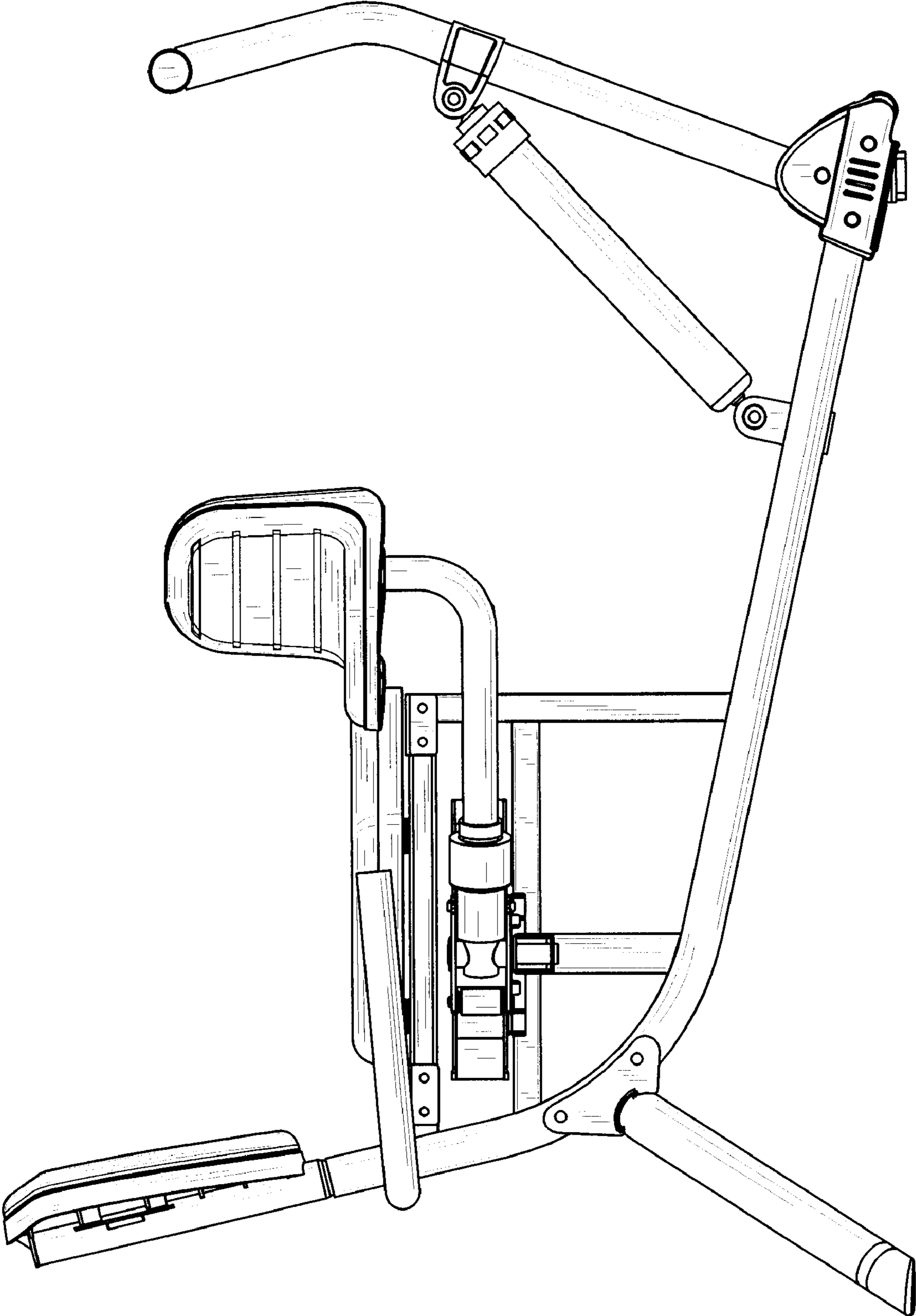


FIG. 4

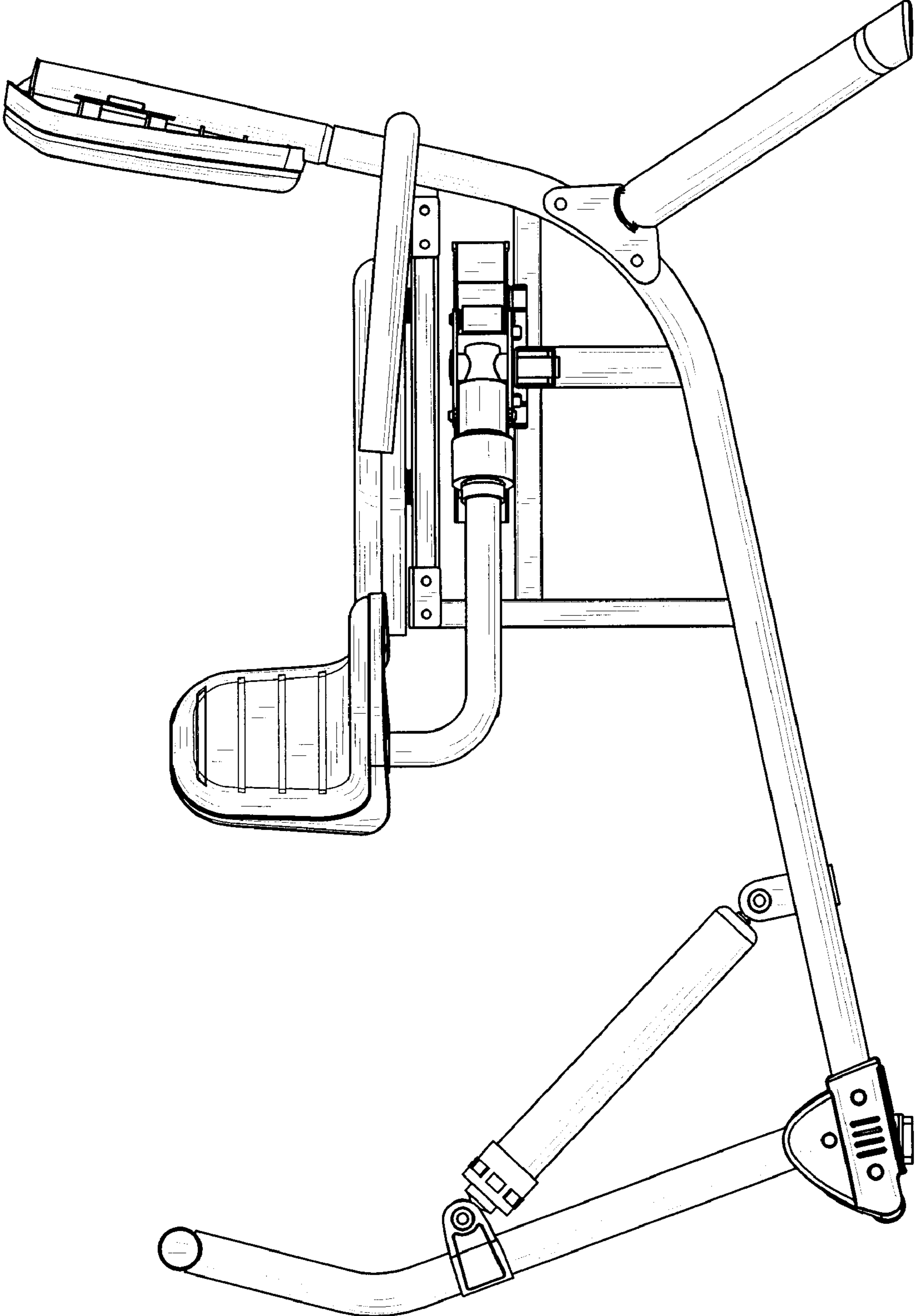


FIG. 5

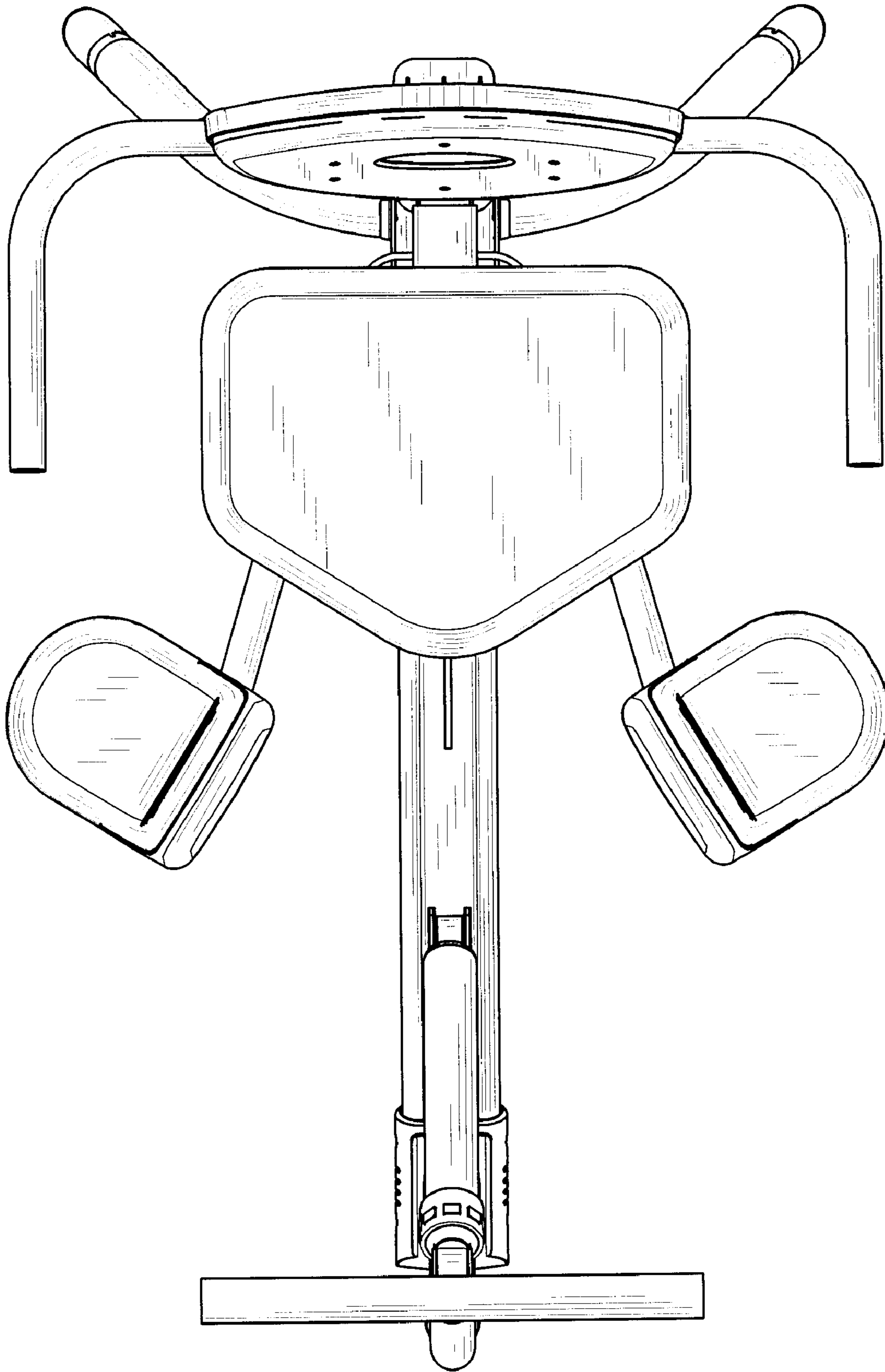


FIG. 6

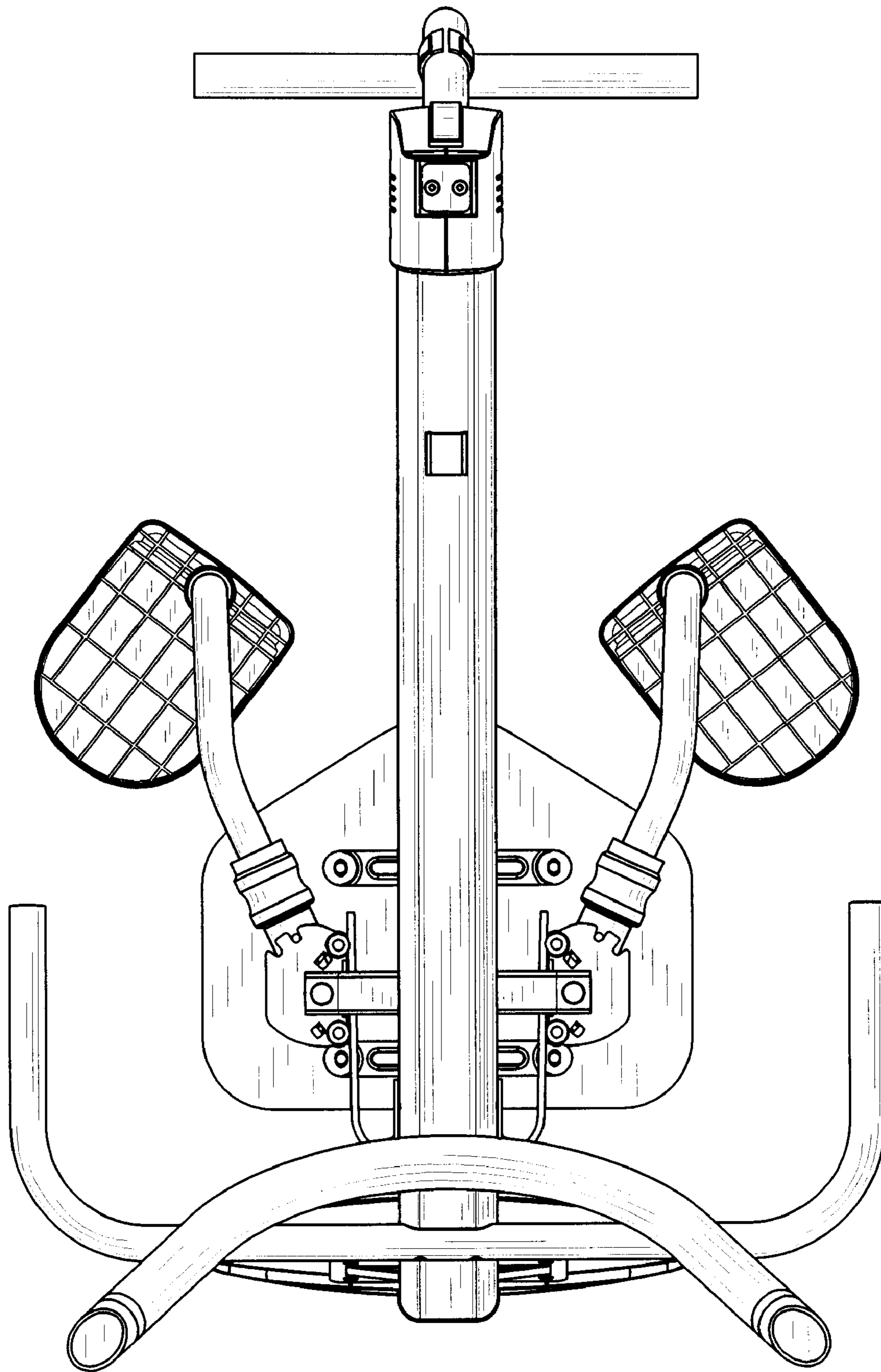


FIG. 7