



US00D526031S

(12) **United States Design Patent**
Corbalis et al.

(10) **Patent No.:** **US D526,031 S**

(45) **Date of Patent:** **** Aug. 1, 2006**

(54) **UPRIGHT EXERCISE BIKE**

(75) Inventors: **Kevin Patrick Corbalis**, Tustin, CA (US); **Mark William Chiles**, Yorba Linda, CA (US); **Victor Torres Cornejo**, Tustin, CA (US); **Jirawat O. Jeanvigite**, Los Angeles, CA (US); **John Cook**, Ventura, CA (US)

(73) Assignee: **Unisen, Inc.**, Irvine, CA (US)

(**) Term: **14 Years**

(21) Appl. No.: **29/205,138**

(22) Filed: **May 10, 2004**

(51) **LOC (8) Cl.** **21-02**

(52) **U.S. Cl.** **D21/663**

(58) **Field of Classification Search** D21/662,
D21/663, 664, 665, 666, 667; 482/51, 52,
482/53, 54, 57, 58

See application file for complete search history.

(56) **References Cited**

U.S. PATENT DOCUMENTS

D344,313 S *	2/1994	Wu	D21/663
D349,932 S *	8/1994	Ueda et al.	D21/663
D366,298 S *	1/1996	Wu	D21/663
5,690,582 A	11/1997	Ulrich et al.		
D398,673 S *	9/1998	Huang	D21/663
D399,894 S *	10/1998	Chiu	D21/663
D401,644 S *	11/1998	Chen	D21/663
D406,288 S *	3/1999	Chen	D21/663
5,890,995 A	4/1999	Bobick et al.		
6,001,046 A	12/1999	Chang		
D444,515 S *	7/2001	Moran et al.	D21/663
6,565,487 B1 *	5/2003	Kuo	482/57
D478,135 S *	8/2003	Mival et al.	D21/663

OTHER PUBLICATIONS

Digital Image of Tunturi F520 2001.
Cycling in A Recumbent Position, National Fitness Trade Journal, Fall 1998, Author: Dennis Michaelson, pp. 18 & 19.
Star Trac Introducers New V-Bike, National Fitness Trade Journal, Fall 1998, pp. 22, 23, 25.
Website page of Tunturi Recumbent Cycle F 570; <http://web.archive.org/web/19970418121321/www.tunturi.com/f570.html>.
Website page of Tunturi F 520; http://web.archive.org/web/20010430051355/www.tunturi.com/php/fitness.php?tr_id=7&tuote_id=112.

* cited by examiner

Primary Examiner—Philip S. Hyder

(74) *Attorney, Agent, or Firm*—Knobbe, Martens, Olson & Bear, LLP

(57) **CLAIM**

The ornamental design of an upright exercise bike, as shown and described.

DESCRIPTION

FIG. 1 is a perspective view of the front of the upright exercise bike.

FIG. 2 is a perspective view of the rear of the upright exercise bike.

FIG. 3 is a rear view of the upright exercise bike.

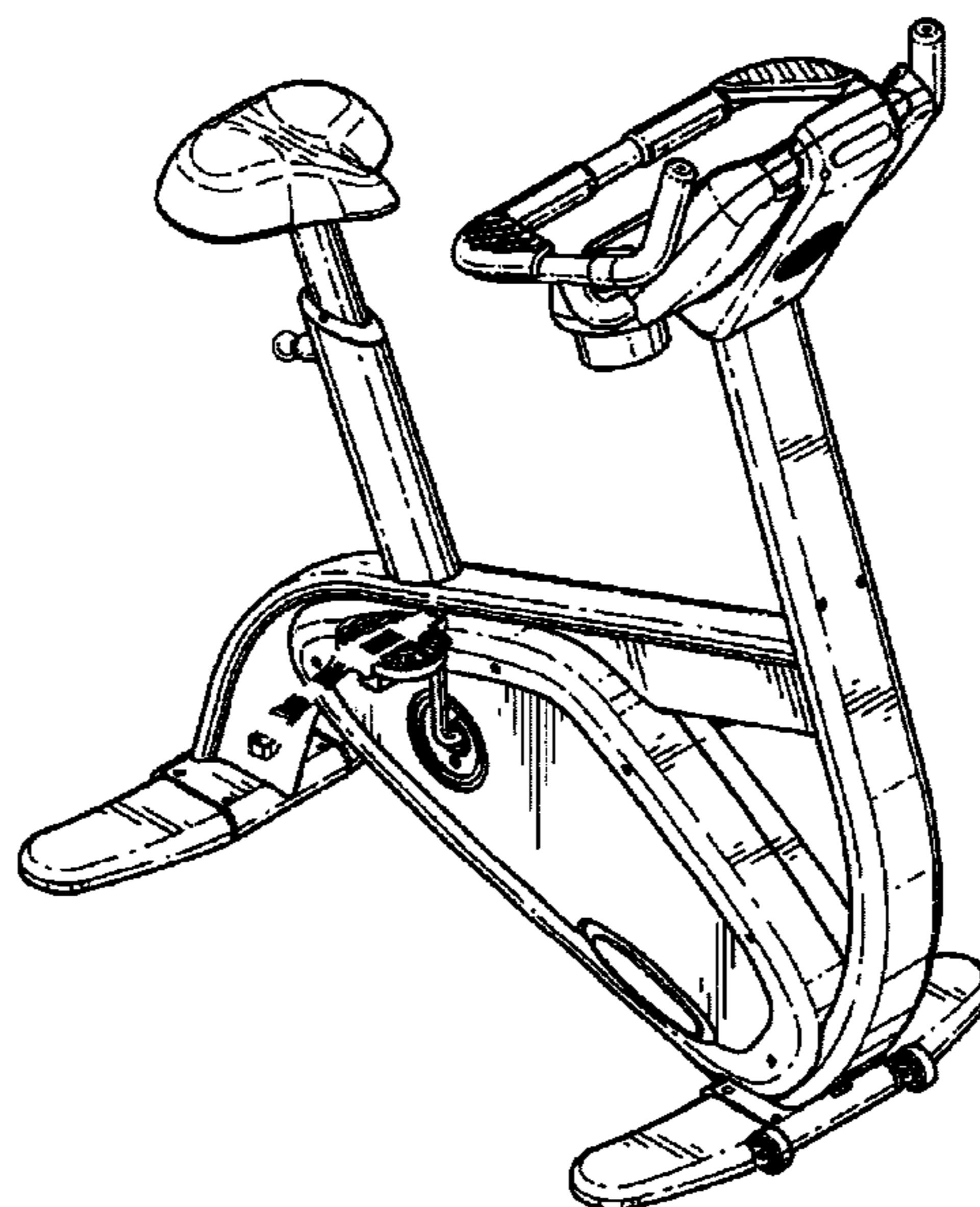
FIG. 4 is a front view of the upright exercise bike.

FIG. 5 is a top view of the upright exercise bike; and,

FIG. 6 is a right side view of the upright exercise bike, with the left side view being a mirror image thereof except that the pedals are in the opposite position.

The broken line showings of foot straps are for illustrative purposes only and form no part of the claimed design.

1 Claim, 5 Drawing Sheets



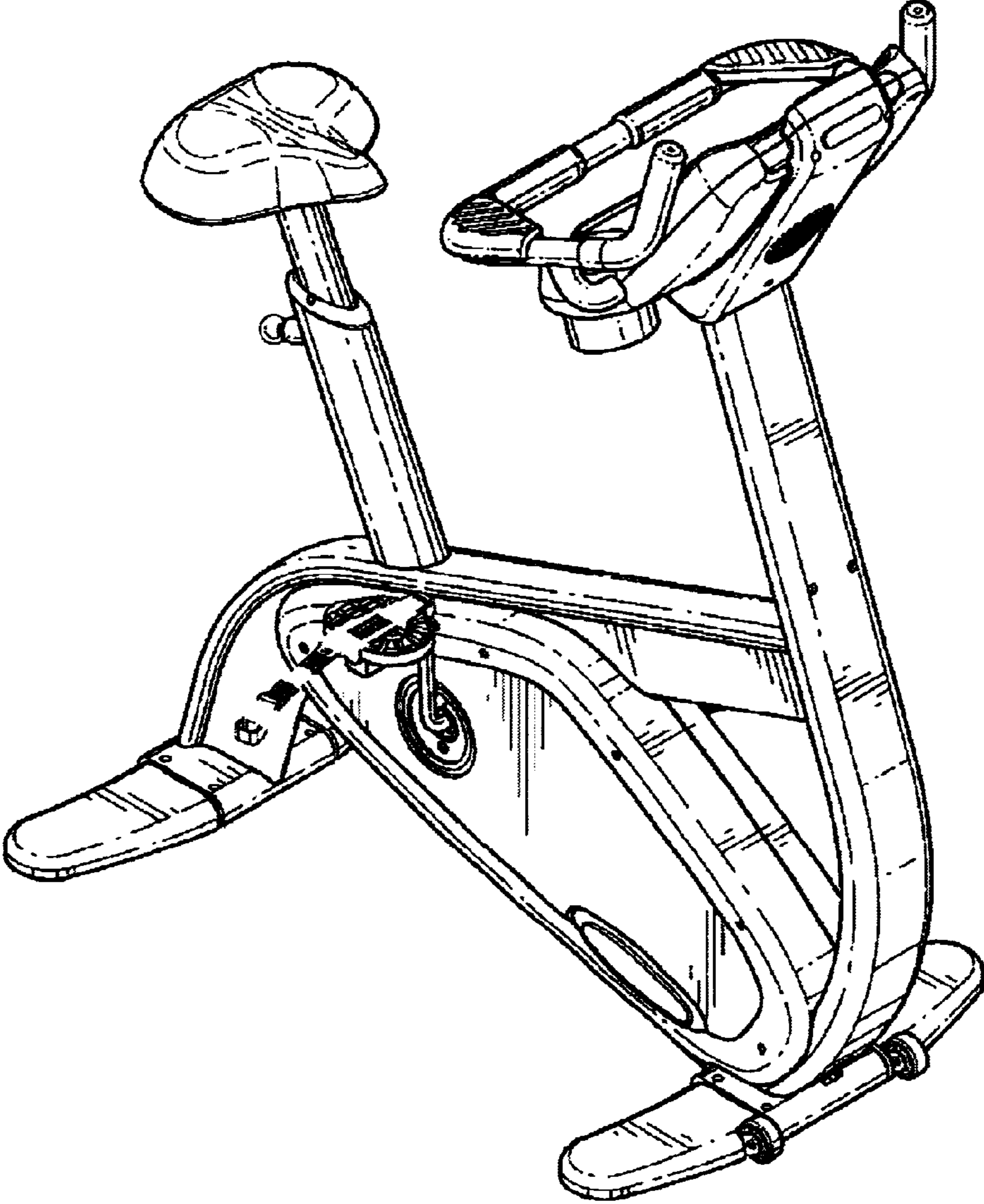


FIG. 1

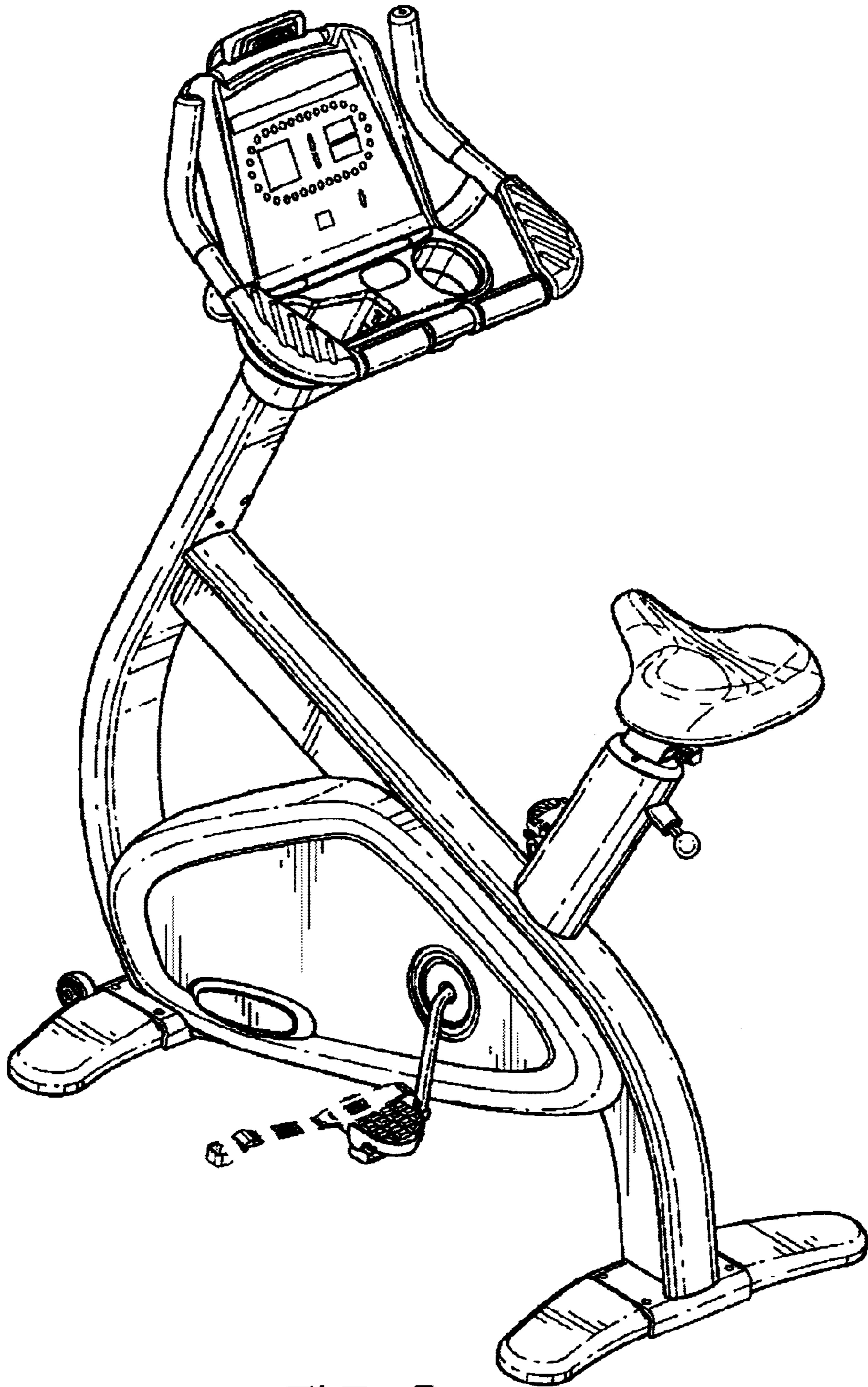


FIG. 2

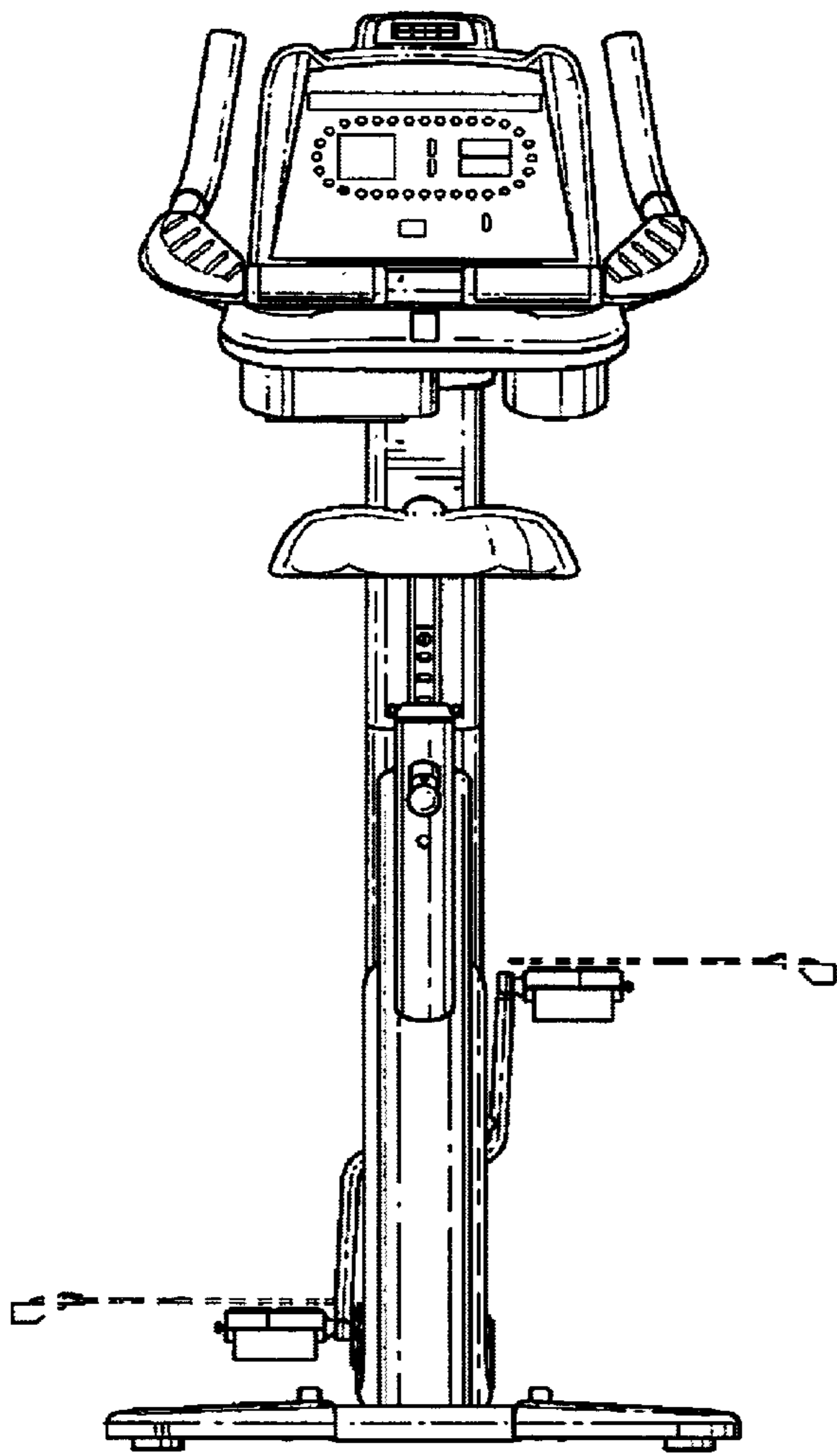


FIG. 3

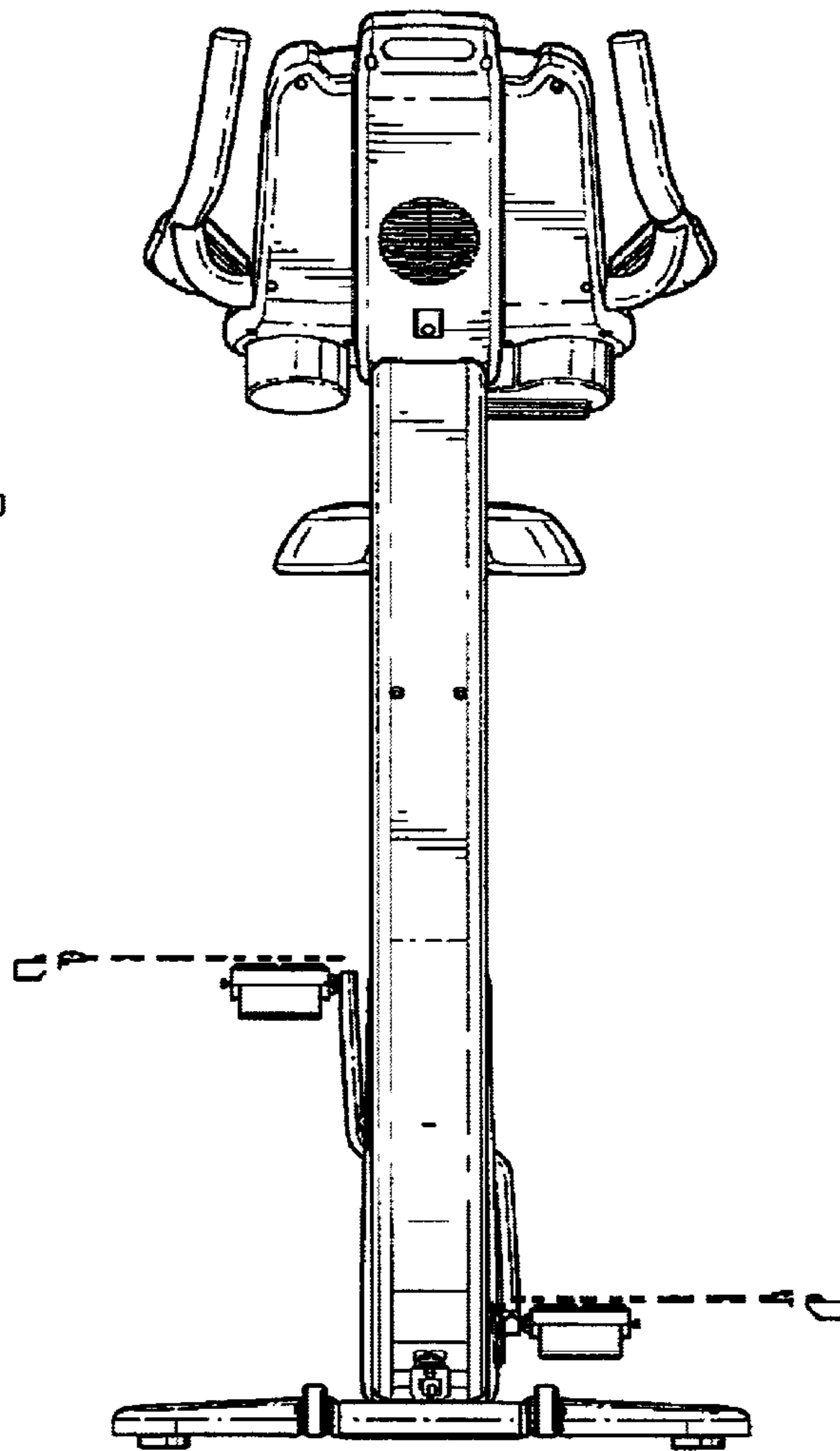


FIG. 4

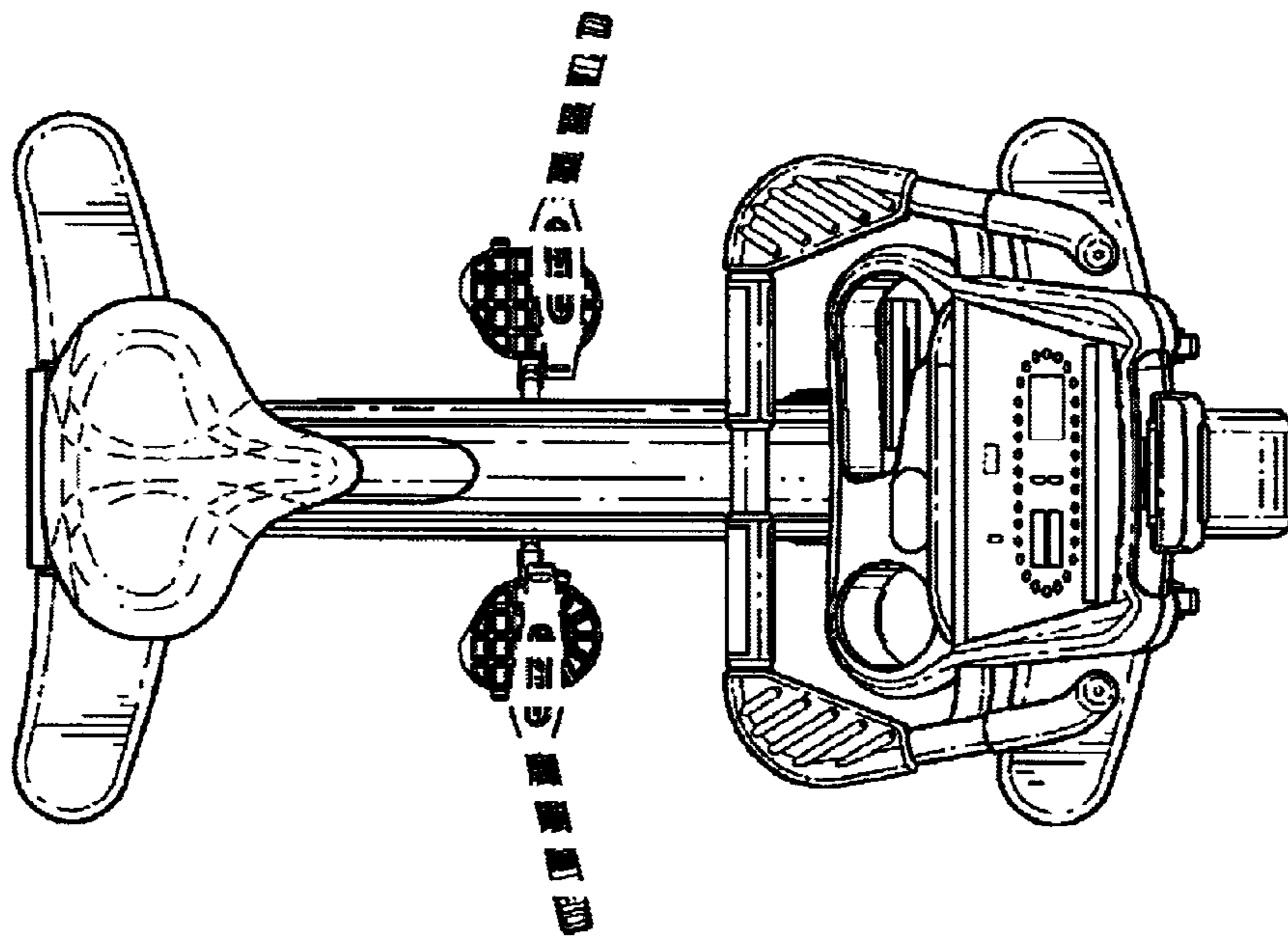


FIG. 5

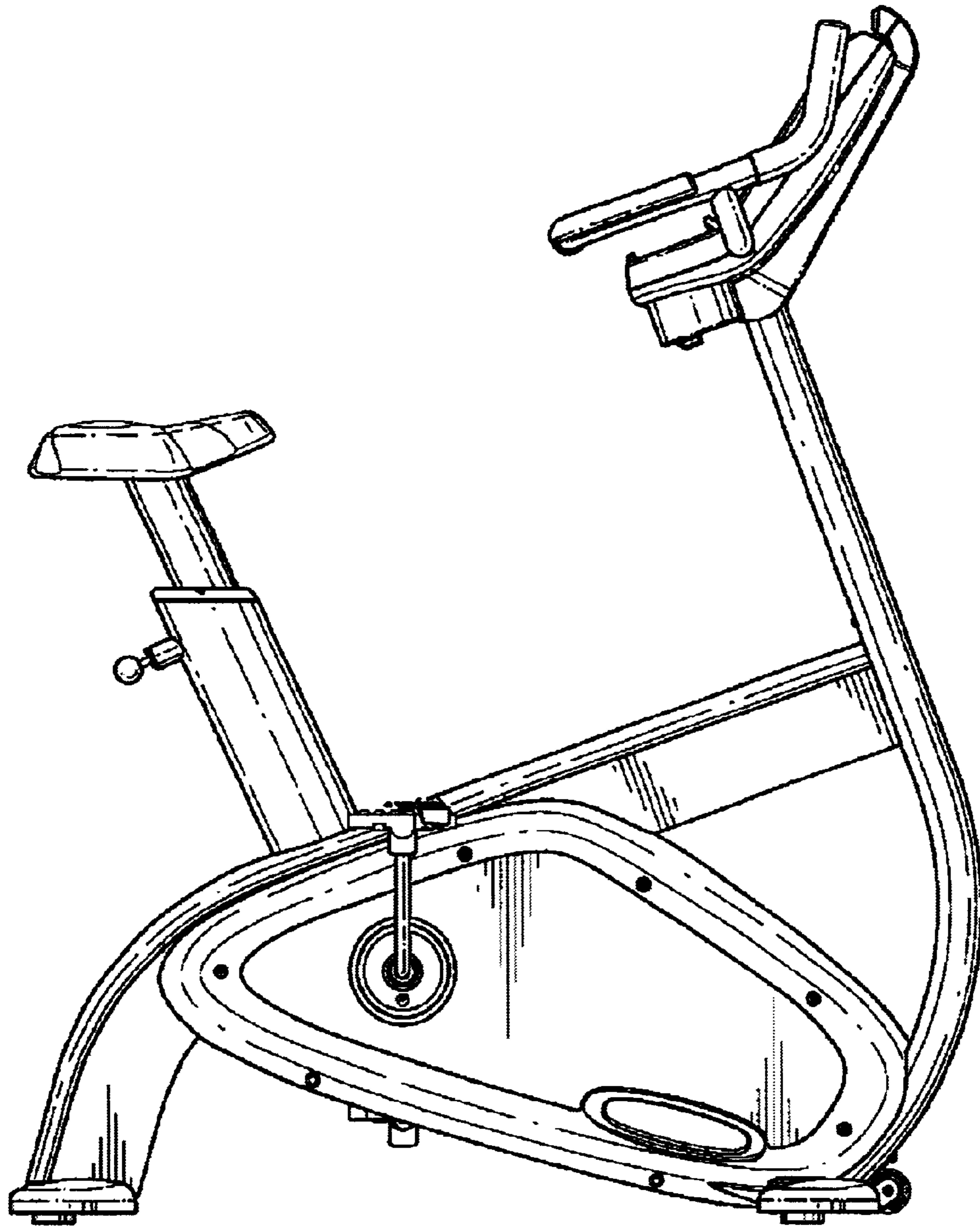


FIG. 6