



US00D526030S

(12) **United States Design Patent** (10) **Patent No.:** **US D526,030 S**
Jones (45) **Date of Patent:** **** Aug. 1, 2006**

(54) **PAINTBALL GUN BODY**

(76) Inventor: **Danial S. Jones**, 45 Owl Hollow Rd.,
Ligonier, PA (US) 15658

(**) Term: **14 Years**

(21) Appl. No.: **29/195,533**

(22) Filed: **Dec. 12, 2003**

(51) **LOC (8) Cl.** **21-01**

(52) **U.S. Cl.** **D21/571**

(58) **Field of Classification Search** D21/567,
D21/570, 572-575; D22/100, 103, 104, 108,
D22/109, 115; 124/56, 65, 70-74, 76, 77
See application file for complete search history.

(56) **References Cited**

U.S. PATENT DOCUMENTS

2,304,320 A	12/1942	Tratsch	124/77
2,554,116 A	5/1951	Monner	124/11
2,568,432 A	9/1951	Cook	124/77
2,594,240 A	4/1952	Wells	124/13
2,634,717 A	4/1953	Junkin	124/11
2,834,332 A	5/1958	Guthrie	124/77
2,845,055 A	7/1958	Collins et al.	124/32
2,845,805 A	7/1958	Collins et al.	124/77
3,089,476 A	5/1963	Wolverton	124/77
3,192,915 A	7/1965	Norris et al.	124/77
D219,020 S	* 10/1970	LaViolette	D22/104
3,662,729 A	5/1972	Henderson	124/73
3,695,246 A	10/1972	Filippi et al.	124/77
3,921,980 A	11/1975	Artzer	124/77
4,009,536 A	3/1977	Wolff	42/84
4,094,294 A	6/1978	Speer	124/56
4,269,163 A	5/1981	Feith	124/77
D259,939 S	* 7/1981	Rubin	D21/574
4,362,145 A	12/1982	Stelcher	124/32
4,730,407 A	3/1988	DeCarlo	42/84
4,770,153 A	9/1988	Edelman	124/77
4,819,609 A	4/1989	Tippmann	124/72
4,899,717 A	2/1990	Rutten et al.	124/32
4,936,282 A	6/1990	Dobbins et al.	124/74
5,063,905 A	11/1991	Farrell	124/72
5,083,392 A	1/1992	Bookstaber	42/84

5,228,427 A	7/1993	Gardner, Jr.	124/71
5,261,384 A	11/1993	Hu	124/66
5,280,778 A	1/1994	Kotsiopoulos	124/73
5,285,765 A	2/1994	Lee	124/50

(Continued)

FOREIGN PATENT DOCUMENTS

EP	94026535	2/1993
GB	2146416	4/1985
GB	2313655	12/1997
JP	1179898	7/1989
JP	7004892	1/1995
WO	WO 97/26498	6/1997

OTHER PUBLICATIONS

<http://www.directpaintball.com/pics/diablomatrix/matrix-parts.gif>. 3 pages.
<http://www.technopaintball.com/matrixreview.htm> 2pages.

Primary Examiner—Holly Baynham
Assistant Examiner—Cynthia M. Chin

(57) **CLAIM**

The ornamental design for a paintball gun body, as shown and described.

DESCRIPTION

This application is related to U.S. Patent application Ser. No. 10/695,049, entitled "Electro-Pneumatic Paintball Gun," filed Oct. 27, 2003.

FIG. 1 is a perspective view of a paintball gun body, showing my new design in full lines, with the broken lines showing environmental association matter for illustration purposes only;

FIG. 2 is a top plan view thereof;

FIG. 3 is a rear elevational view thereof;

FIG. 4 is a front elevational view thereof;

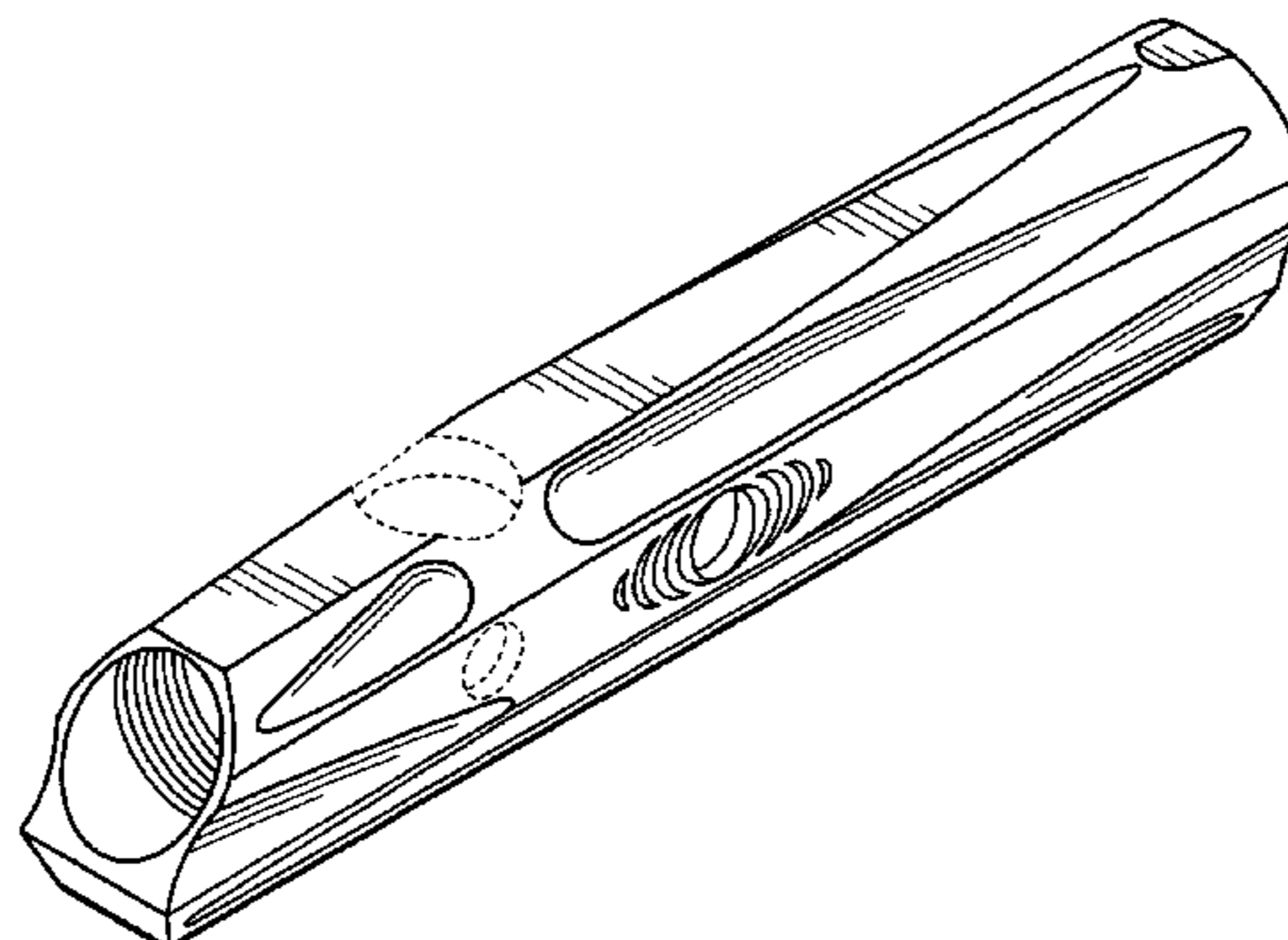
FIG. 5 is a left side, elevational view thereof;

FIG. 6 is a right side, elevational view thereof; and,

FIG. 7 is a bottom plan view thereof.

The broken lines are for illustrative purposes only and form no part of the claimed design.

1 Claim, 3 Drawing Sheets



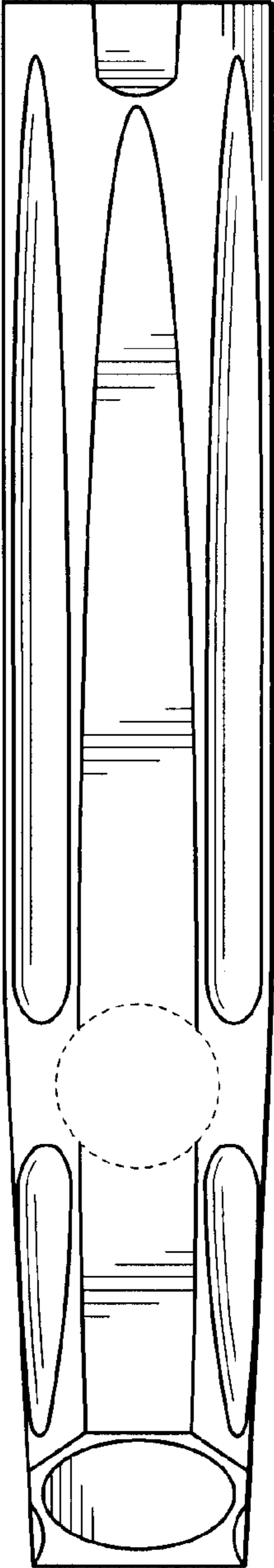
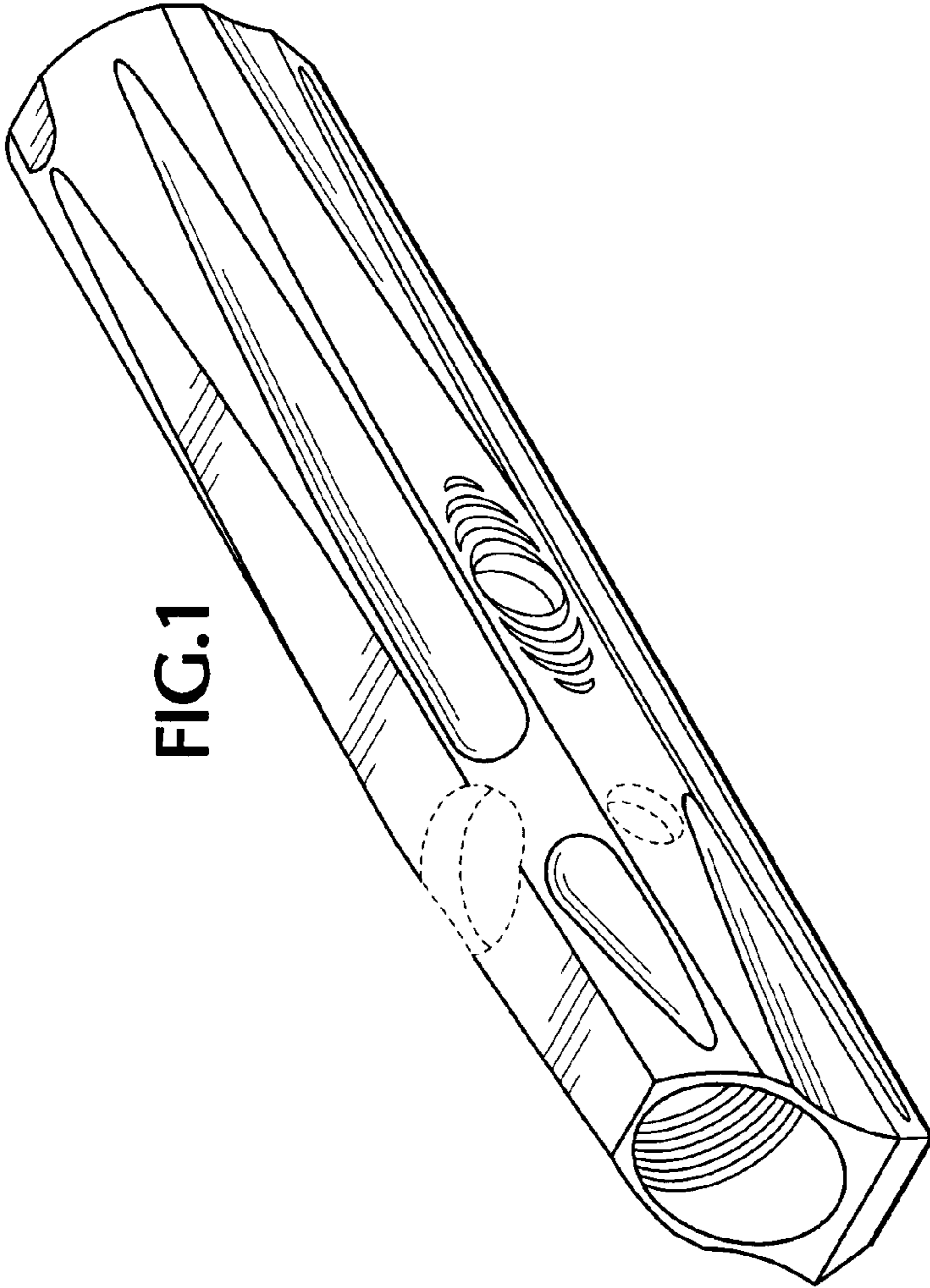
US D526,030 S

Page 2

U.S. PATENT DOCUMENTS

D346,837 S *	5/1994	Sun	D21/574	6,035,843 A	3/2000	Smith et al.	124/77
5,333,594 A	8/1994	Robinson	124/73	D451,977 S *	12/2001	Urbano	D21/572
5,337,726 A	8/1994	Wood	124/61	6,343,599 B1	2/2002	Perrone	124/33
5,349,938 A	9/1994	Farrell	124/73	6,349,711 B1	2/2002	Perry et al.	124/73
5,383,442 A	1/1995	Tippmann	124/76	D458,652 S *	6/2002	Chan	D21/574
5,413,083 A	5/1995	Jones	124/32	6,474,326 B1	11/2002	Smith et al.	124/77
5,462,042 A	10/1995	Greenwell	124/76	6,516,791 B1	2/2003	Perrone	124/77
5,515,838 A	5/1996	Anderson	124/76	6,520,172 B1	2/2003	Perrone	124/74
5,613,483 A	3/1997	Lukas et al.	124/73	6,637,421 B1	10/2003	Smith et al.	124/77
D387,841 S *	12/1997	Hochstrate et al.	D22/104	6,644,295 B1	11/2003	Jones	124/77
5,878,736 A	3/1999	Lotuaco, III	124/71	6,644,296 B1	11/2003	Gardner, Jr.	124/77
5,881,707 A	3/1999	Gardner, Jr.	124/77	2002/0096164 A1	7/2002	Perrone	124/77
5,967,133 A	10/1999	Gardner, Jr.	124/77	2002/0170551 A1	11/2002	Kotsiopoulos et al.	124/54
6,003,504 A	12/1999	Rice et al.	124/73					

* cited by examiner



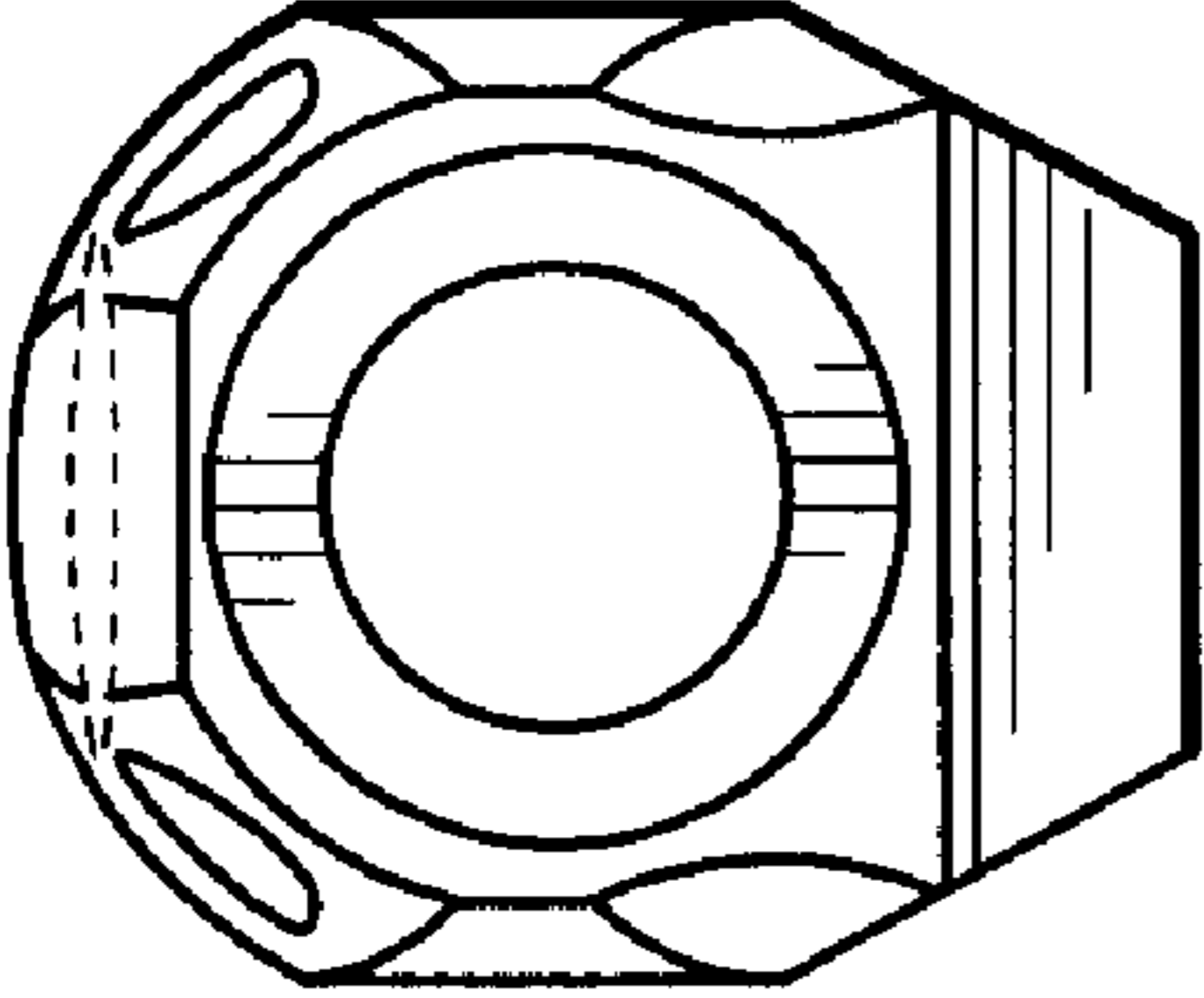


FIG.3

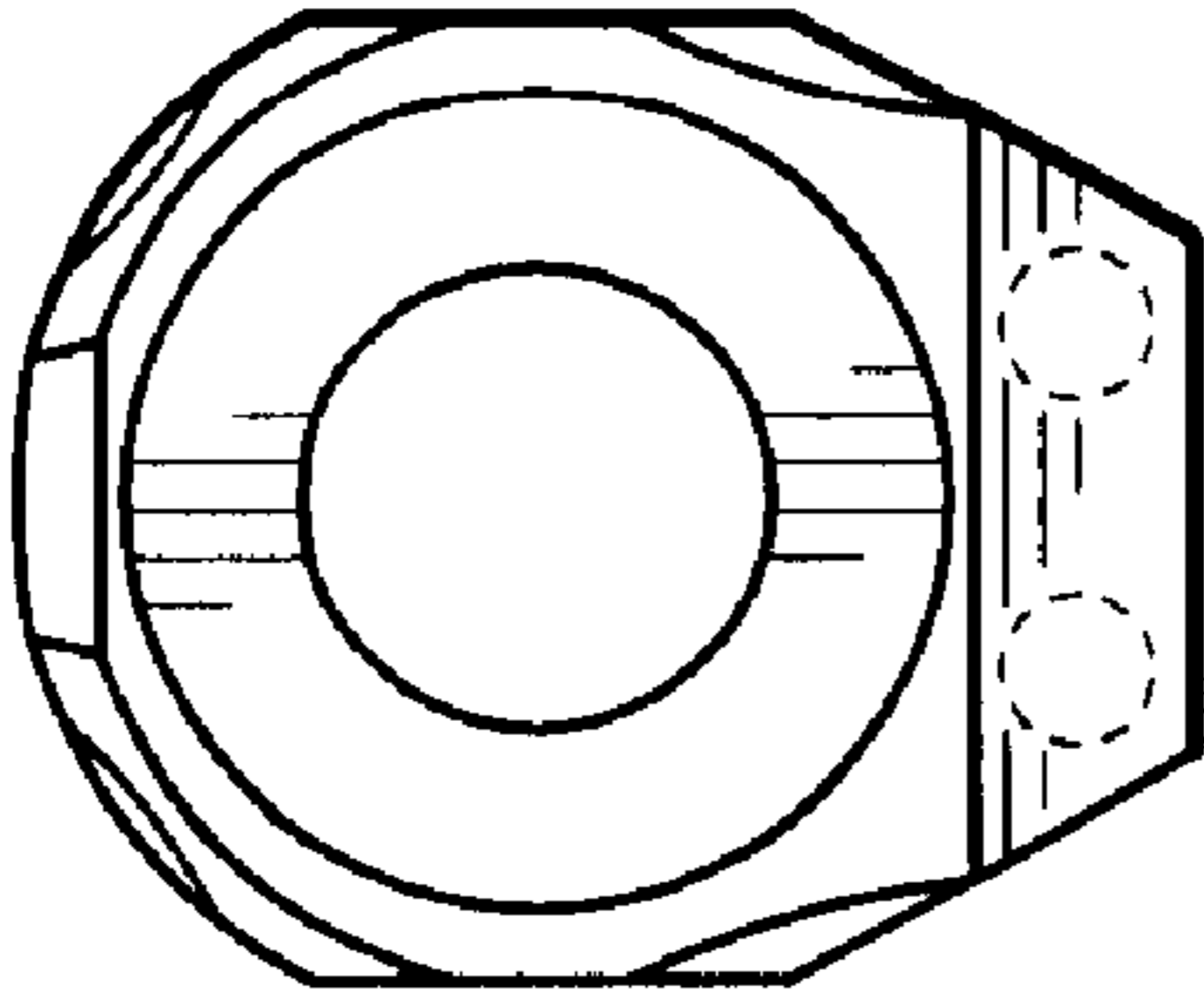


FIG.4

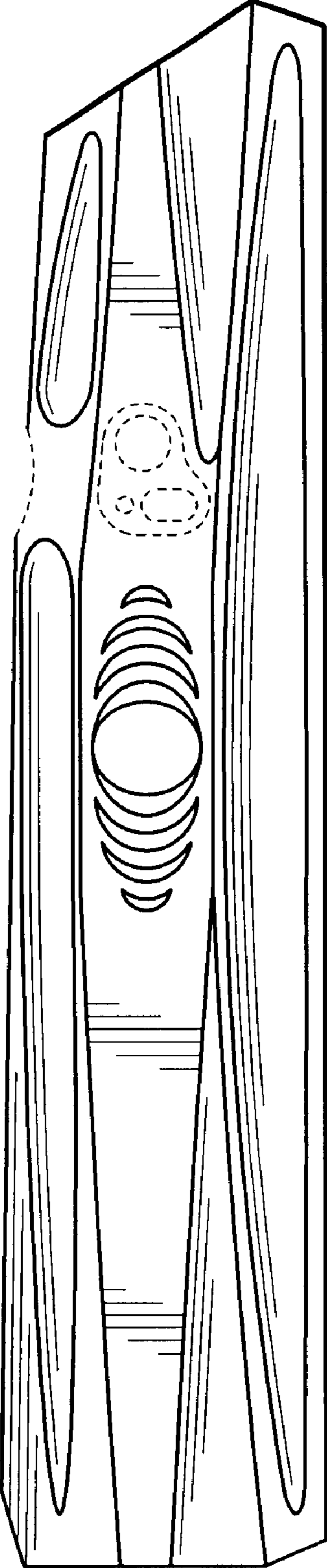


FIG.5

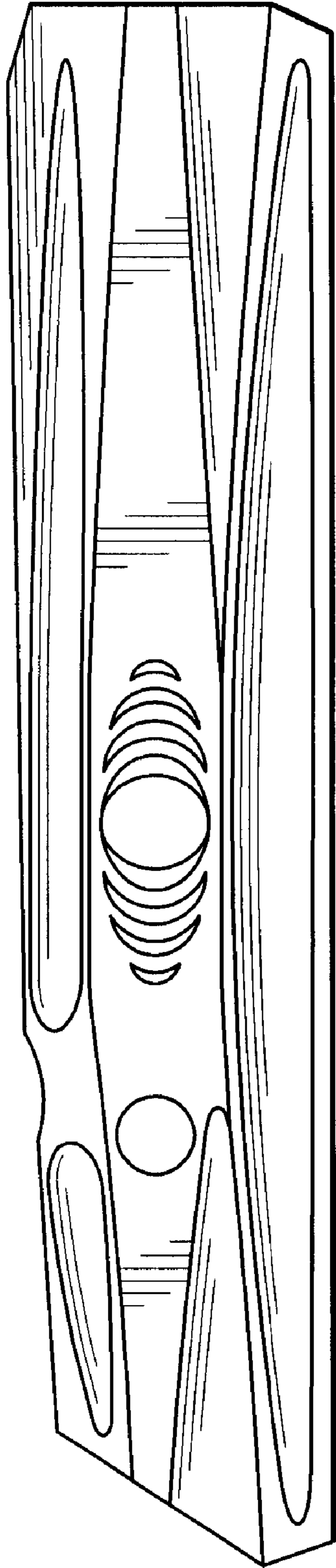


FIG. 6

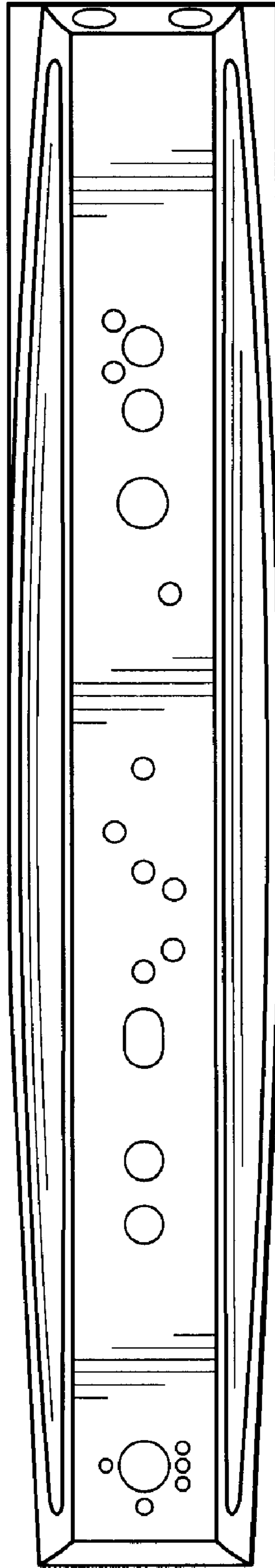


FIG. 7