



US00D526024S

(12) **United States Design Patent**
Iannello et al.

(10) **Patent No.:** **US D526,024 S**
(45) **Date of Patent:** **** Aug. 1, 2006**

(54) **BILL GUIDE ASSEMBLY**

(75) Inventors: **Richard J. Iannello**, Sebastopol, CA (US); **James K. Bullock**, Las Vegas, NV (US); **Gwen D. Mathis**, Las Vegas, NV (US)

(73) Assignee: **JCM American Corporation**, Las Vegas, NV (US)

(**) Term: **14 Years**

(21) Appl. No.: **29/214,532**

(22) Filed: **Oct. 4, 2004**

(51) **LOC (8) Cl.** **20-01**

(52) **U.S. Cl.** **D20/8**

(58) **Field of Classification Search** D20/1-9; D99/17, 18, 24; 194/205, 206, 212, 350; 221/75, 92, 94, 95, 96, 126, 155, 195; D34/1
See application file for complete search history.

(56) **References Cited**

U.S. PATENT DOCUMENTS

| | | | | | |
|------------|---|---------|---------|-------|-------|
| D22,126 S | * | 1/1893 | Mills | | D20/1 |
| D34,997 S | * | 8/1901 | MacLean | | D20/8 |
| D172,200 S | * | 5/1954 | Smith | | D20/8 |
| D215,020 S | * | 8/1969 | Unter | | D20/9 |
| D276,924 S | * | 12/1984 | Bellis | | D20/9 |

| | | | | | |
|-----------------|---|---------|-----------------|-------|---------|
| D335,149 S | * | 4/1993 | Dabrowski | | D20/1 |
| D372,739 S | * | 8/1996 | Bustos | | D20/5 |
| 5,993,317 A | * | 11/1999 | Majima | | 463/29 |
| 6,902,105 B1 | * | 6/2005 | Koakutsu | | 235/379 |
| 2005/0121286 A1 | * | 6/2005 | Iannello et al. | | 194/206 |

* cited by examiner

Primary Examiner—Robert M. Spear

(74) *Attorney, Agent, or Firm*—DLA Piper Rudnick Gray Cray US LLP

(57) **CLAIM**

The ornamental design for a bill guide assembly, as shown and described.

DESCRIPTION

FIG. 1 is a perspective view of the bill guide assembly of the present invention.

FIG. 2 is a top view thereof.

FIG. 3 is a right side view thereof.

FIG. 4 is a front view thereof.

FIG. 5 is a rear view thereof; and,

FIG. 6 is a bottom view thereof.

The features shown in broken lines are shown for illustrative purposes only and form no part of the claimed design. The left side view is identical to the right side view and is therefore not included as an independent figure.

1 Claim, 3 Drawing Sheets

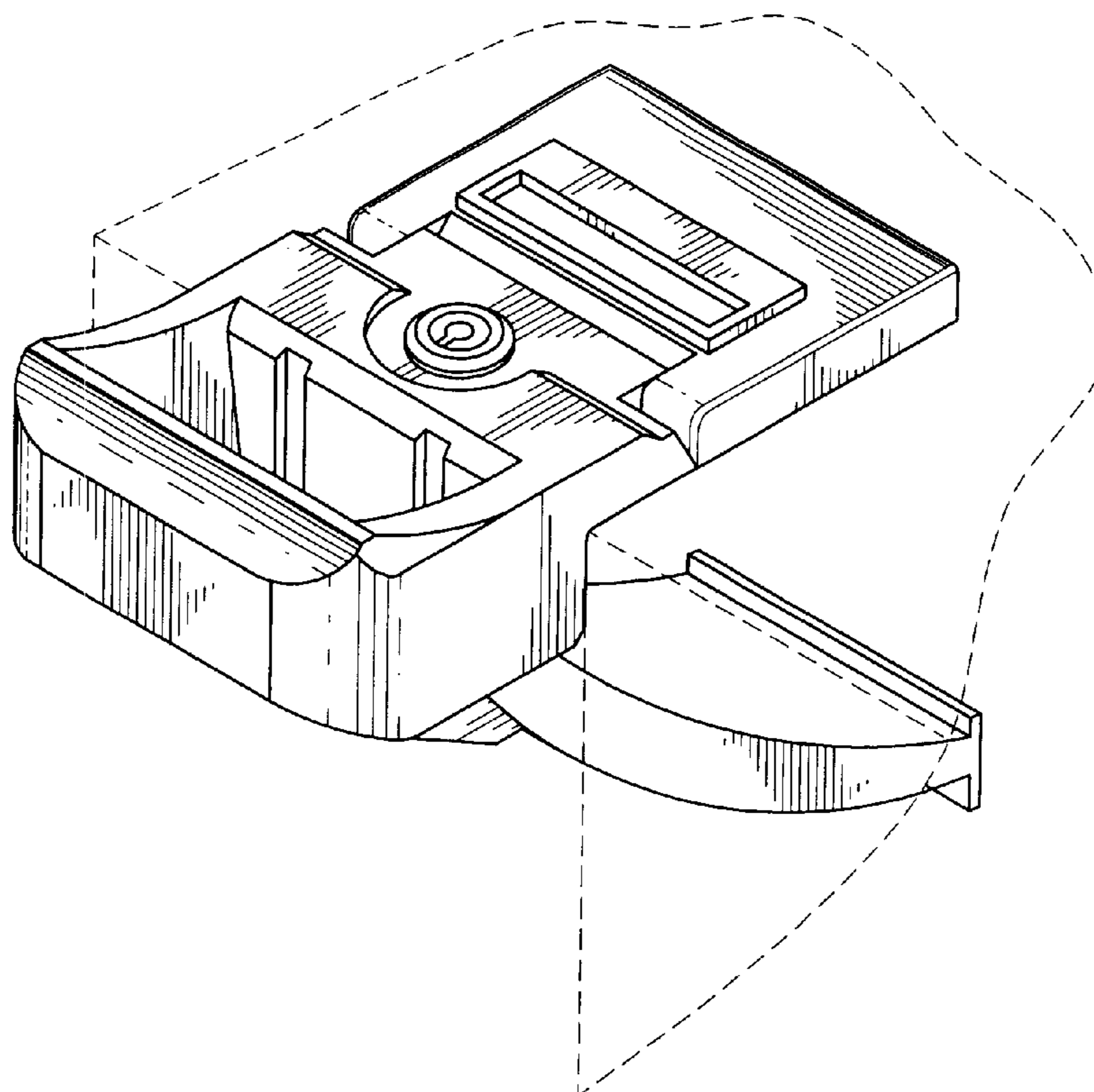


FIG. 1

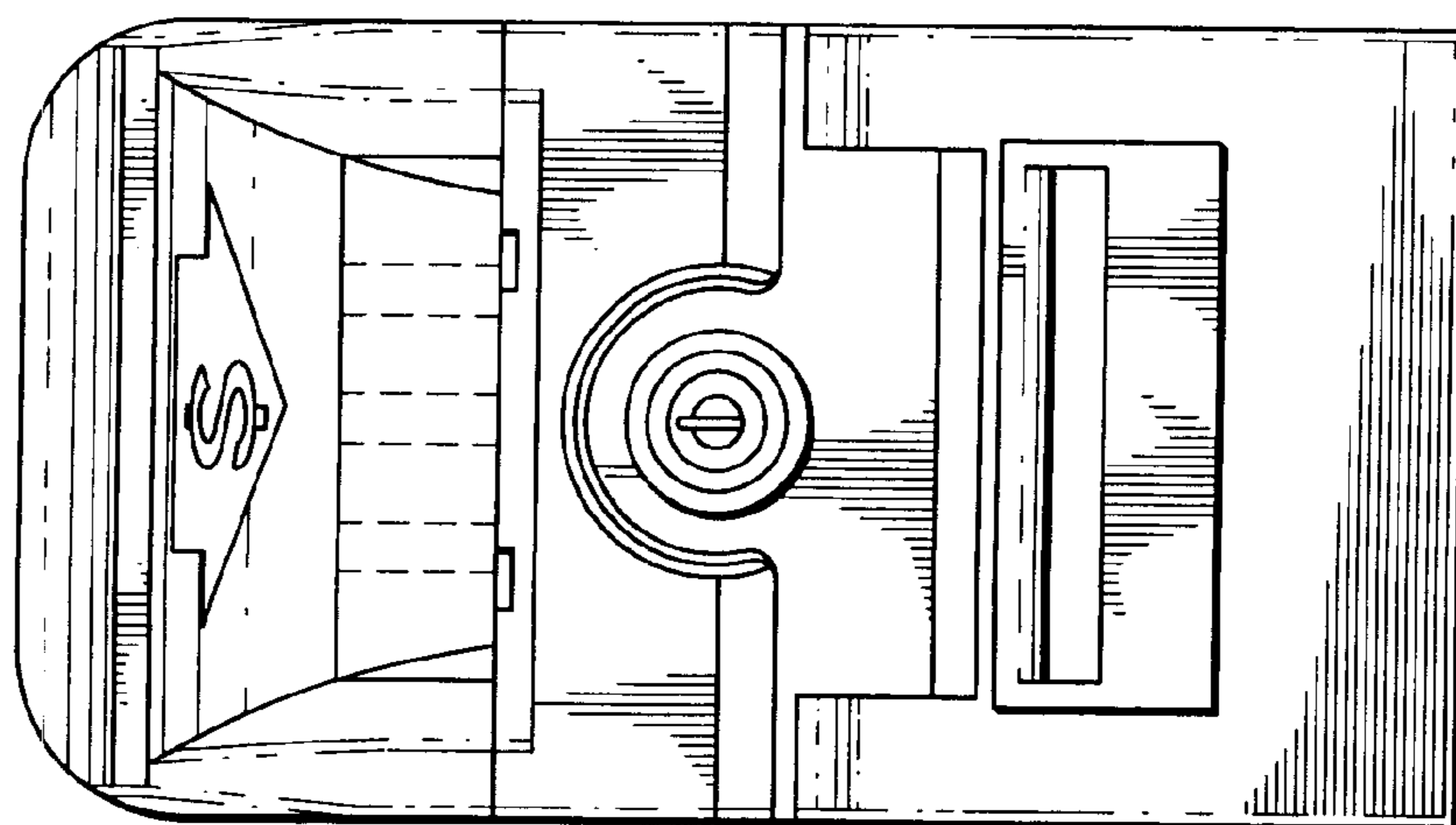
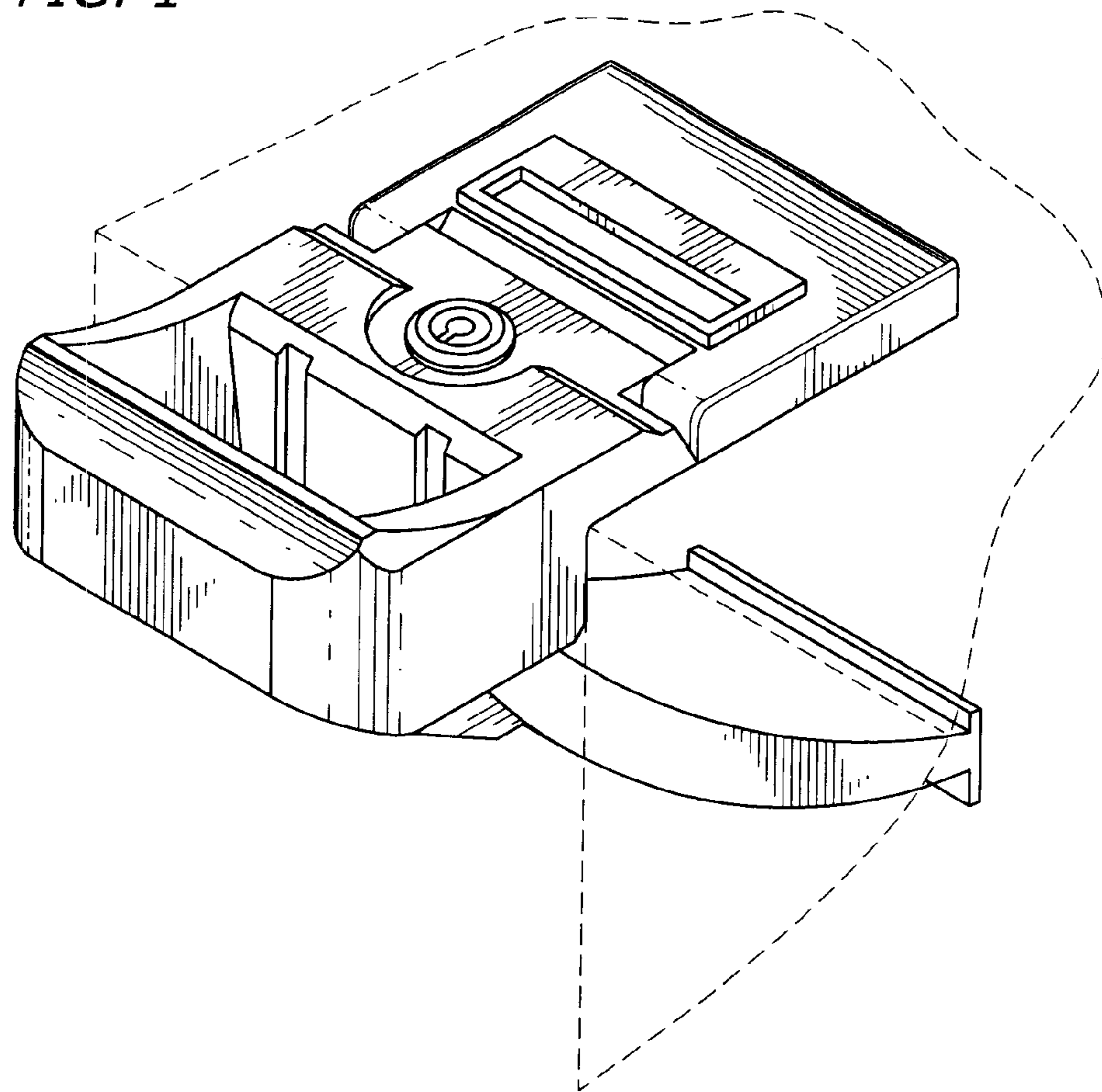


FIG. 2

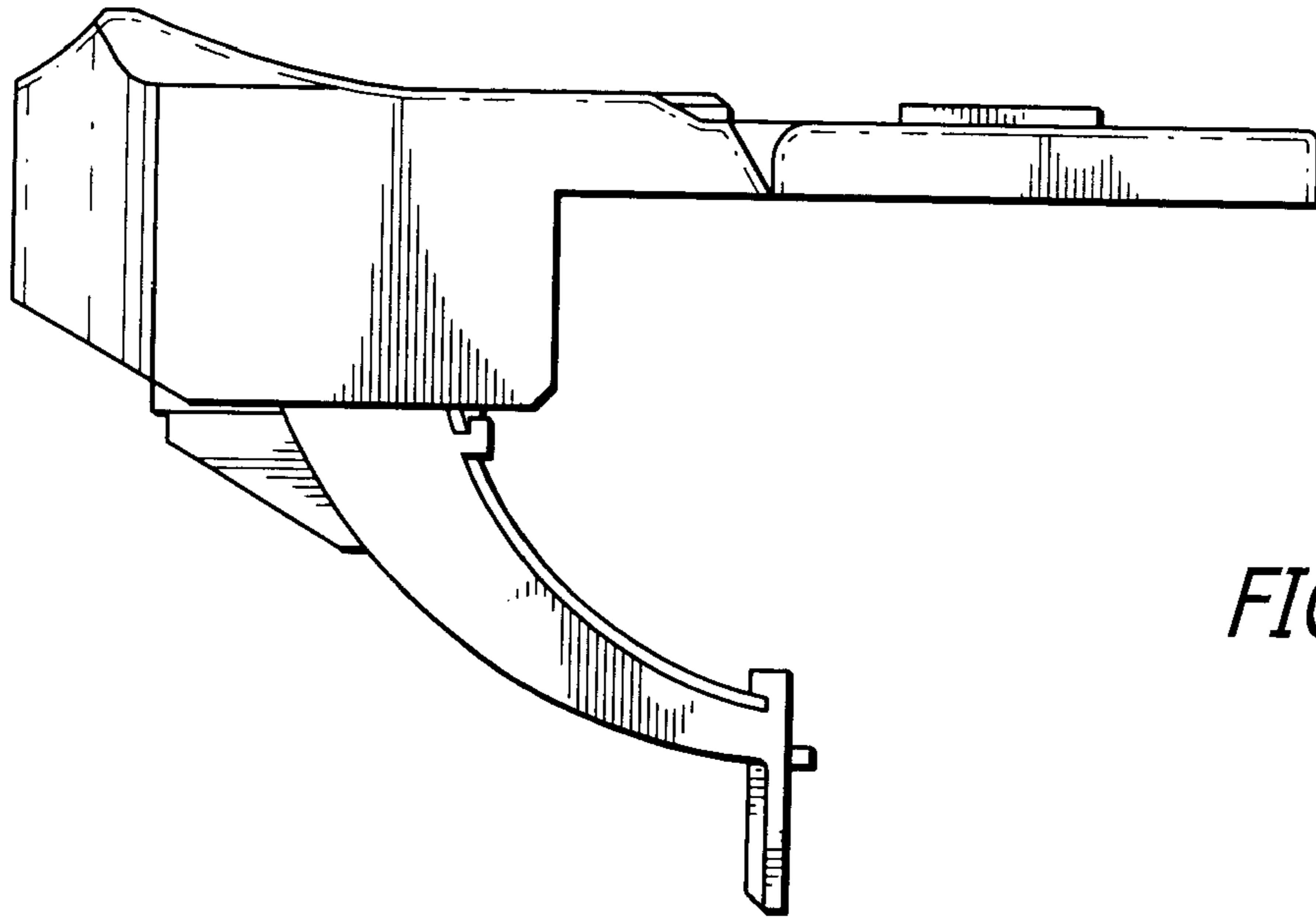


FIG. 3

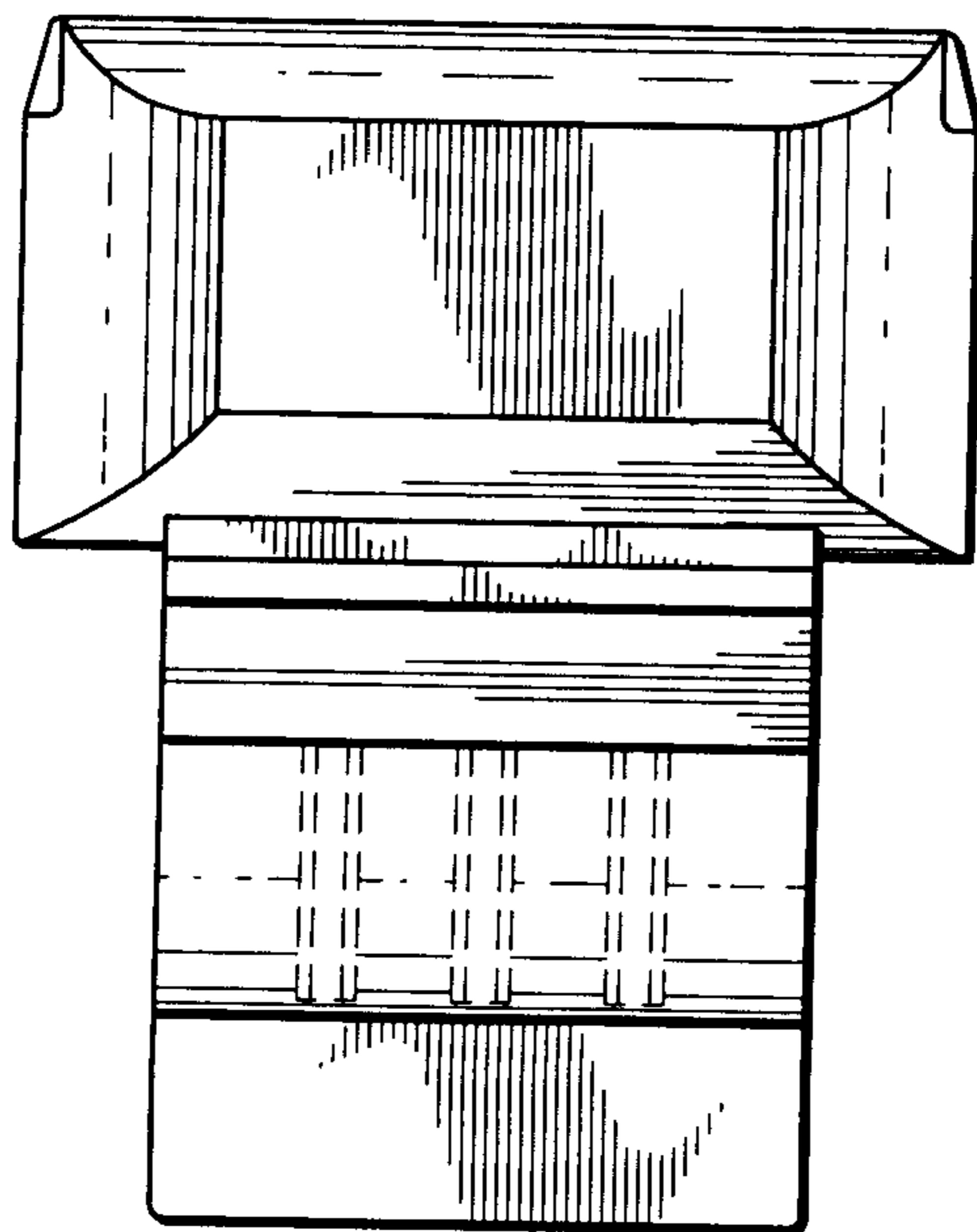


FIG. 4

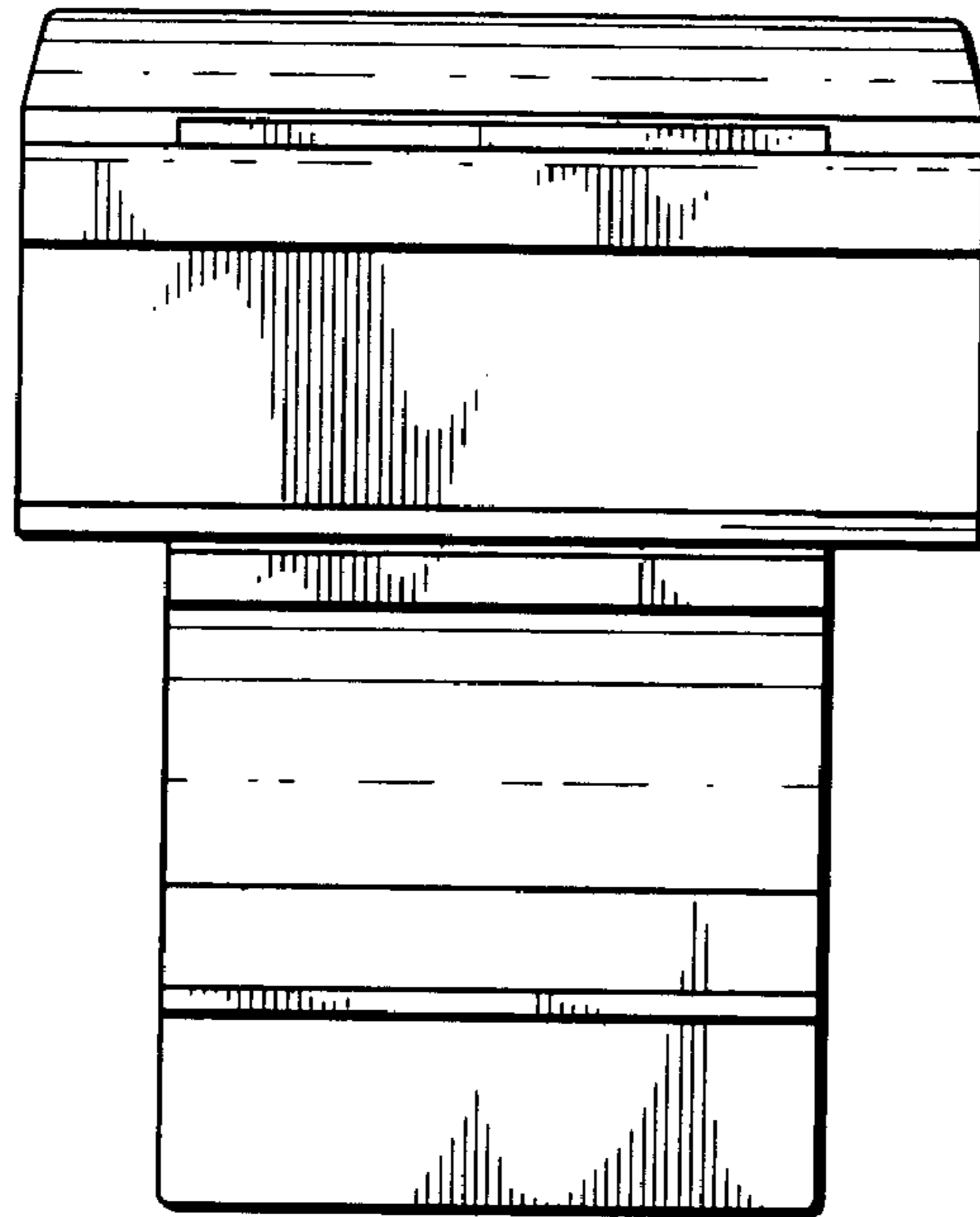


FIG. 5

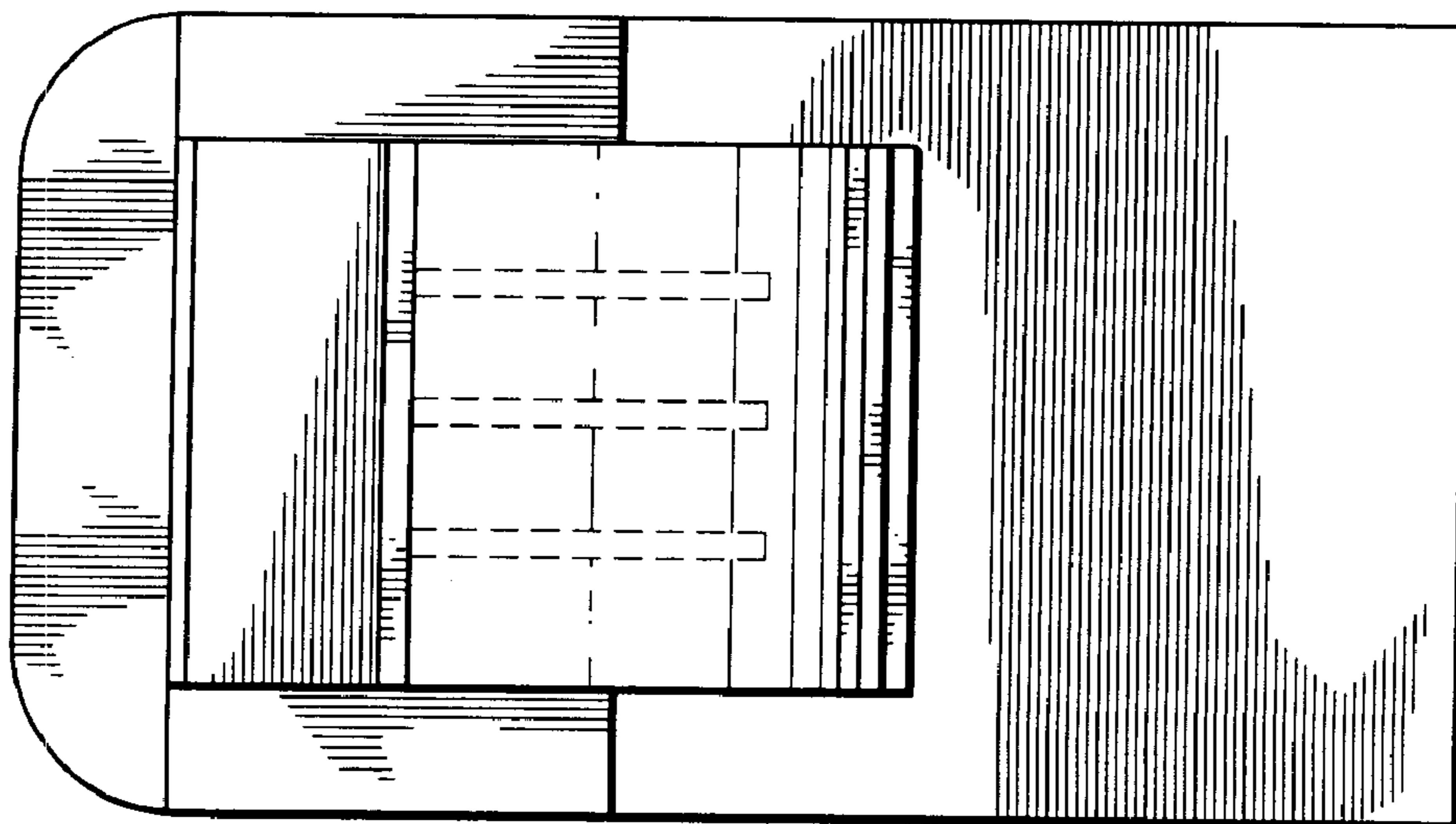


FIG. 6