



US00D526018S

(12) **United States Design Patent** (10) **Patent No.:** **US D526,018 S**
Salander et al. (45) **Date of Patent:** **** *Aug. 1, 2006**

(54) **NOTEPAD COVER**

(75) Inventors: **Mark T. Salander**, Barrington, RI (US); **Joshua B. Lederer**, Brookline, MA (US)

(73) Assignee: **The Gem Group, Inc.**, Lawrence, MA (US)

(*) Notice: This patent is subject to a terminal disclaimer.

(**) Term: **14 Years**

(21) Appl. No.: **29/211,732**

(22) Filed: **Aug. 20, 2004**

(51) **LOC (8) Cl.** **19-04**

(52) **U.S. Cl.** **D19/26**

(58) **Field of Classification Search** D19/26, D19/27, 28, 29, 30, 31, 32, 33, 86; 206/425, 206/472; 281/3.1, 15.1, 19.1, 21.1, 29, 34, 281/38, 51; 283/63.1, 64; D3/247, 303, 900, D3/201, 206, 282; 402/73, 80 R; D28/83; 132/293

See application file for complete search history.

4,452,471 A * 6/1984 Wessner 281/48
D278,276 S * 4/1985 Bakic D28/78
D285,414 S * 9/1986 Goetz et al. D9/420
D292,848 S 11/1987 Kim
4,796,735 A 1/1989 Horiuchi
D316,269 S * 4/1991 Woods, Jr. D19/26
D326,226 S * 5/1992 Gerhart D9/423
D340,355 S * 10/1993 Little D3/247
D352,604 S 11/1994 Johnson
5,452,793 A * 9/1995 DiMeo et al. 206/39
D381,506 S 7/1997 Roeder
D383,896 S 9/1997 Whang
D388,605 S * 1/1998 Callahan et al. D3/247
D393,947 S 5/1998 Alves et al.
D421,526 S 3/2000 Isaacson
D424,245 S * 5/2000 Stoecker D28/78
D424,804 S 5/2000 Isaacson
D429,067 S * 8/2000 Kleinsmith D3/249
6,120,228 A * 9/2000 Exline 412/2
D433,773 S * 11/2000 Gavin D28/83
D435,591 S * 12/2000 Wyant D19/27
D439,042 S * 3/2001 Lau D3/247
D483,911 S * 12/2003 Prince et al. D28/64.1
D495,185 S * 8/2004 Palmer D6/632

* cited by examiner

Primary Examiner—Elizabeth A. Albert
(74) *Attorney, Agent, or Firm*—Cesari and McKenna, LLP; William A. Loginov

(56) **References Cited**

U.S. PATENT DOCUMENTS

616,438 A * 12/1898 Newkirk 283/117
D30,603 S * 4/1899 Kruttschnitt D3/247
1,983,036 A 12/1934 Kaufmann
2,053,630 A 9/1936 Plotkin
2,053,695 A 9/1936 Buxton
2,067,851 A 1/1937 Lifton
2,113,921 A 4/1938 Mashek
2,319,127 A 5/1943 Guenther et al.
2,581,763 A 1/1952 Hickler
3,023,794 A 3/1962 Lifton
3,369,585 A * 2/1968 Martinsen 206/37
3,946,781 A * 3/1976 Reis 150/143
3,970,130 A * 7/1976 Casey 150/149
D246,205 S * 10/1977 Lewis D18/6

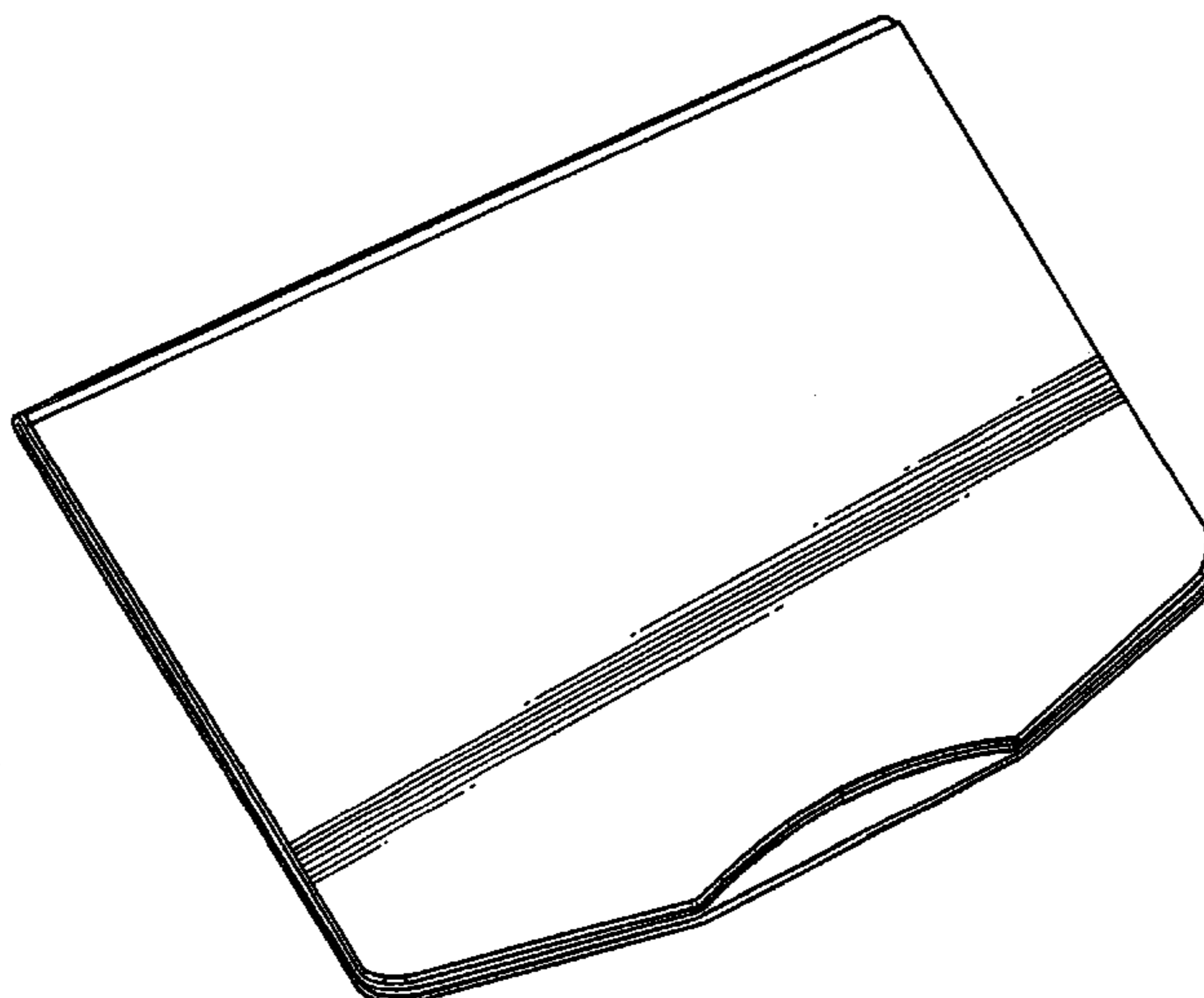
(57) **CLAIM**

The ornamental design for a notepad cover, substantially as shown.

DESCRIPTION

FIG. 1 is an isometric view from the front of a notepad cover incorporating the design;
FIG. 2 is a front view thereof;
FIG. 3 is a back view thereof;
FIG. 4 is a right-side view thereof;
FIG. 5 is a left-side view thereof;
FIG. 6 is a bottom view thereof; and,
FIG. 7 is a top view thereof.

1 Claim, 2 Drawing Sheets



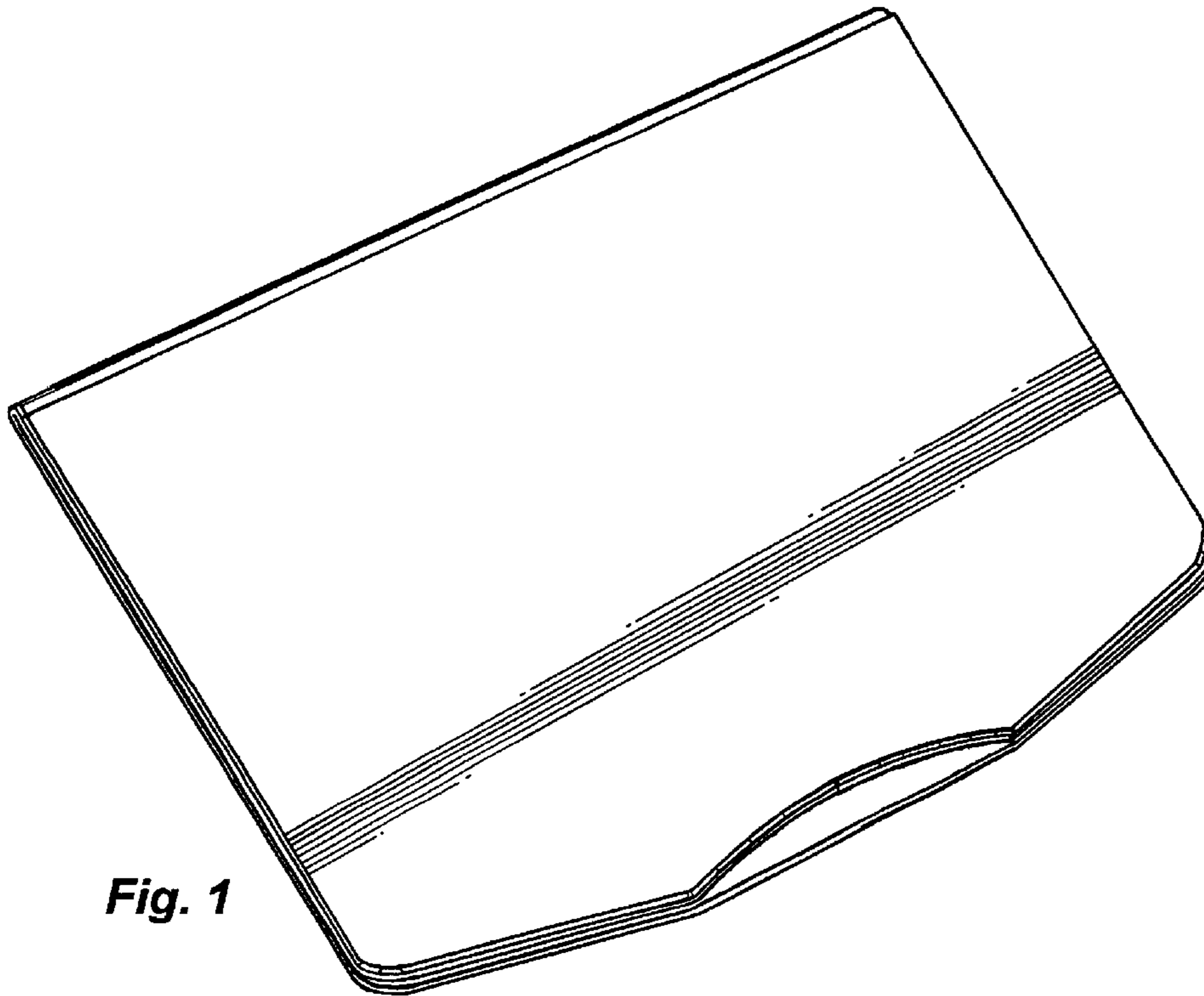


Fig. 1

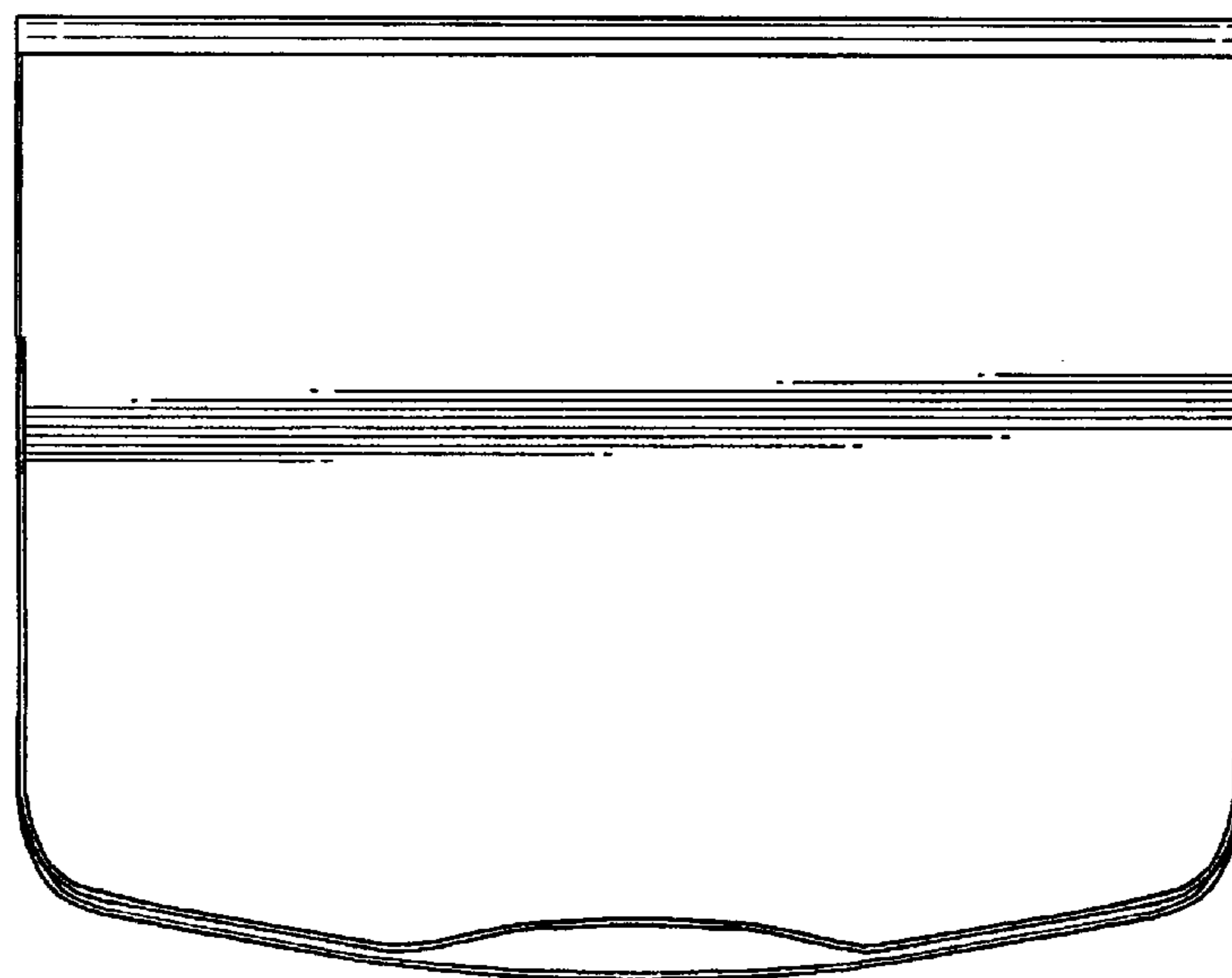


Fig. 2

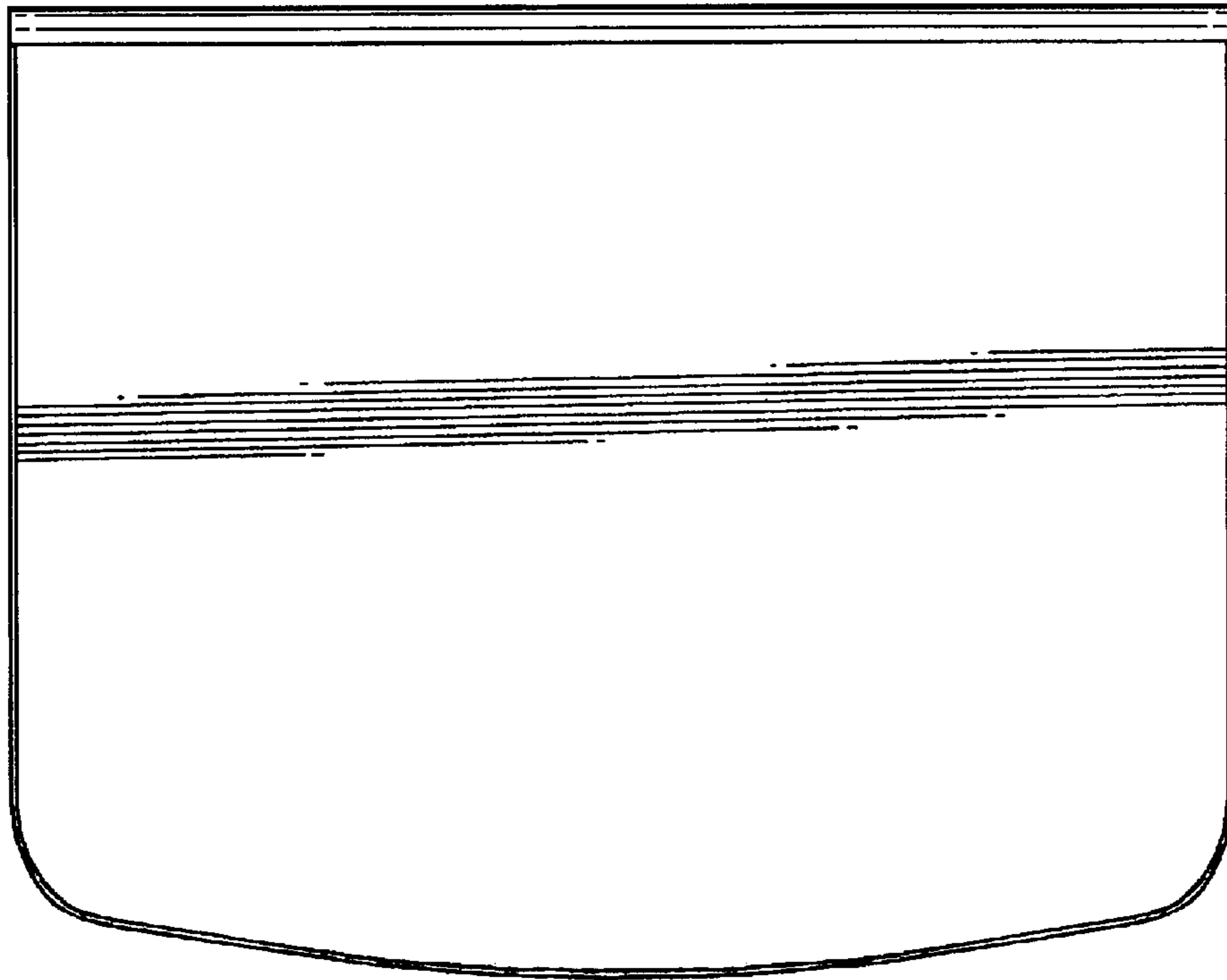


Fig. 3



Fig. 4



Fig. 5

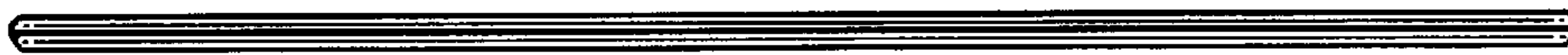


Fig. 6



Fig. 7