

US00D526008S

(12) **United States Design Patent**
Friedrich et al.

(10) **Patent No.:** **US D526,008 S**

(45) **Date of Patent:** **** Aug. 1, 2006**

(54) **FRANKING MACHINE**

(75) Inventors: **Lutz Friedrich**, Birkenwerder (DE);
Hans-Peter Constin, Berlin (DE)

(73) Assignee: **Francotyp-Postalia GmbH**,
Birkenwerder (DE)

(**) Term: **14 Years**

(21) Appl. No.: **29/219,011**

(22) Filed: **Dec. 10, 2004**

(30) **Foreign Application Priority Data**

Jul. 6, 2004 (EM) 000199468

(51) **LOC (8) Cl.** **18-02**

(52) **U.S. Cl.** **D18/51**

(58) **Field of Classification Search** D18/50,
D18/51, 53, 55, 99; D15/199, 145, 6; 101/2,
101/5, 47, 49, 52, 53, 71; 235/375; 346/9-11,
346/112; 705/401, 407, 408; 156/441.5, 442,
156/442.1-442.4; 270/58.06; D10/8.91
See application file for complete search history.

(56) **References Cited**

U.S. PATENT DOCUMENTS

4,739,343 A * 4/1988 Dolan 347/214

D380,770 S * 7/1997 Muchenberger et al. ... D15/145
D414,798 S * 10/1999 Brooks et al. D18/51
D443,890 S * 6/2001 Sato et al. D18/50
D494,615 S * 8/2004 Brooks et al. D18/51
D502,733 S * 3/2005 Miyauchi et al. D18/50
D505,448 S * 5/2005 Huebler D18/51
D505,449 S * 5/2005 Huebler D18/51
2003/0111165 A1 * 6/2003 Allen et al. 156/441.5
2003/0136337 A1 * 7/2003 Gregoire et al. 156/441.5

* cited by examiner

Primary Examiner—Charles A. Rademaker

(74) *Attorney, Agent, or Firm*—Laurence A. Greenberg;
Werner H. Stemer; Ralph E. Locher

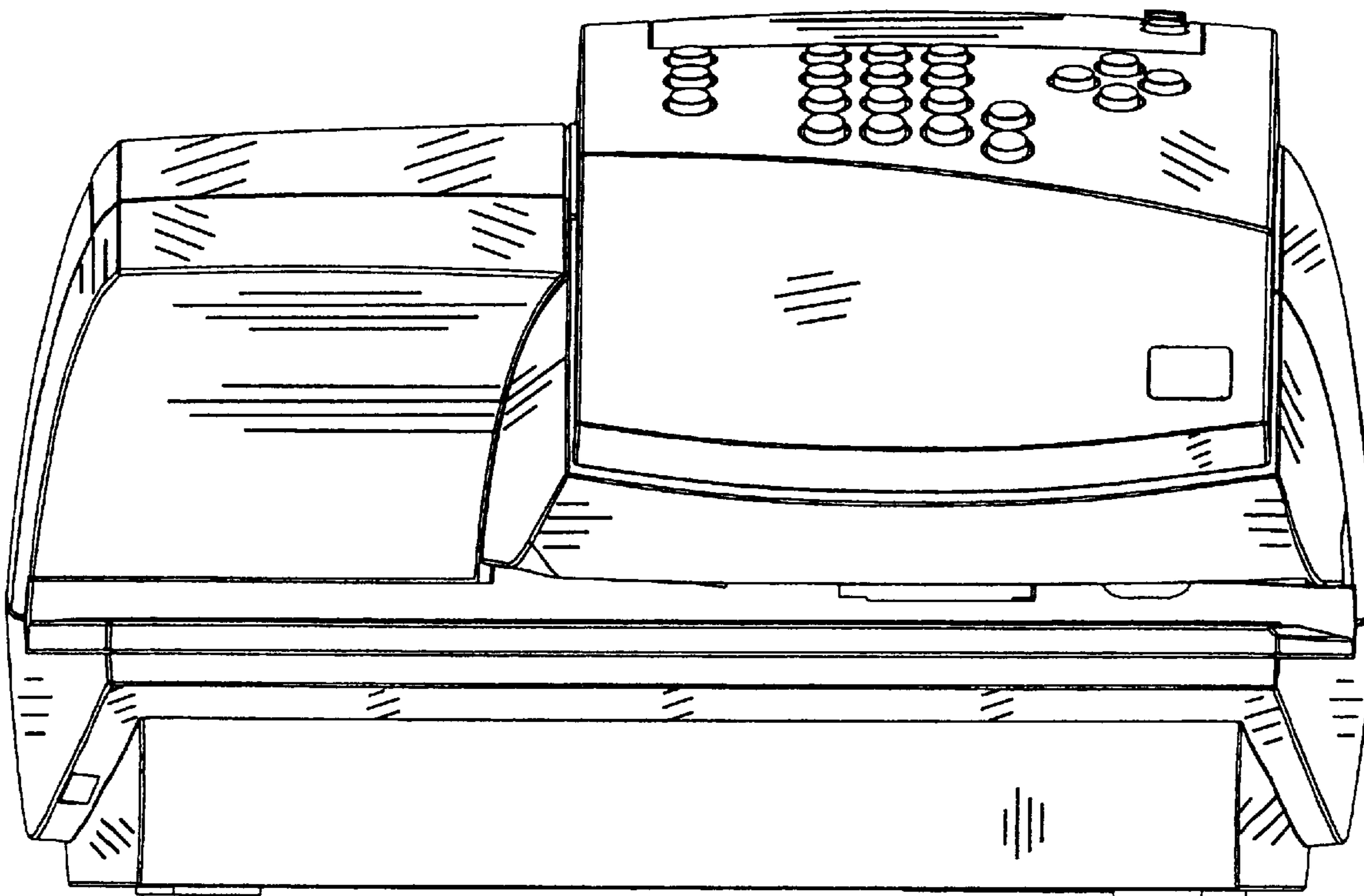
(57) **CLAIM**

The ornamental design for a franking machine, as shown and described.

DESCRIPTION

FIG. 1 is a front view of the franking machine showing our new design;
FIG. 2 is a left side view thereof;
FIG. 3 is a right side front top perspective view thereof;
FIG. 4 is a right side view thereof;
FIG. 5 is a rear view thereof; and,
FIG. 6 is a top plan view thereof.

1 Claim, 4 Drawing Sheets



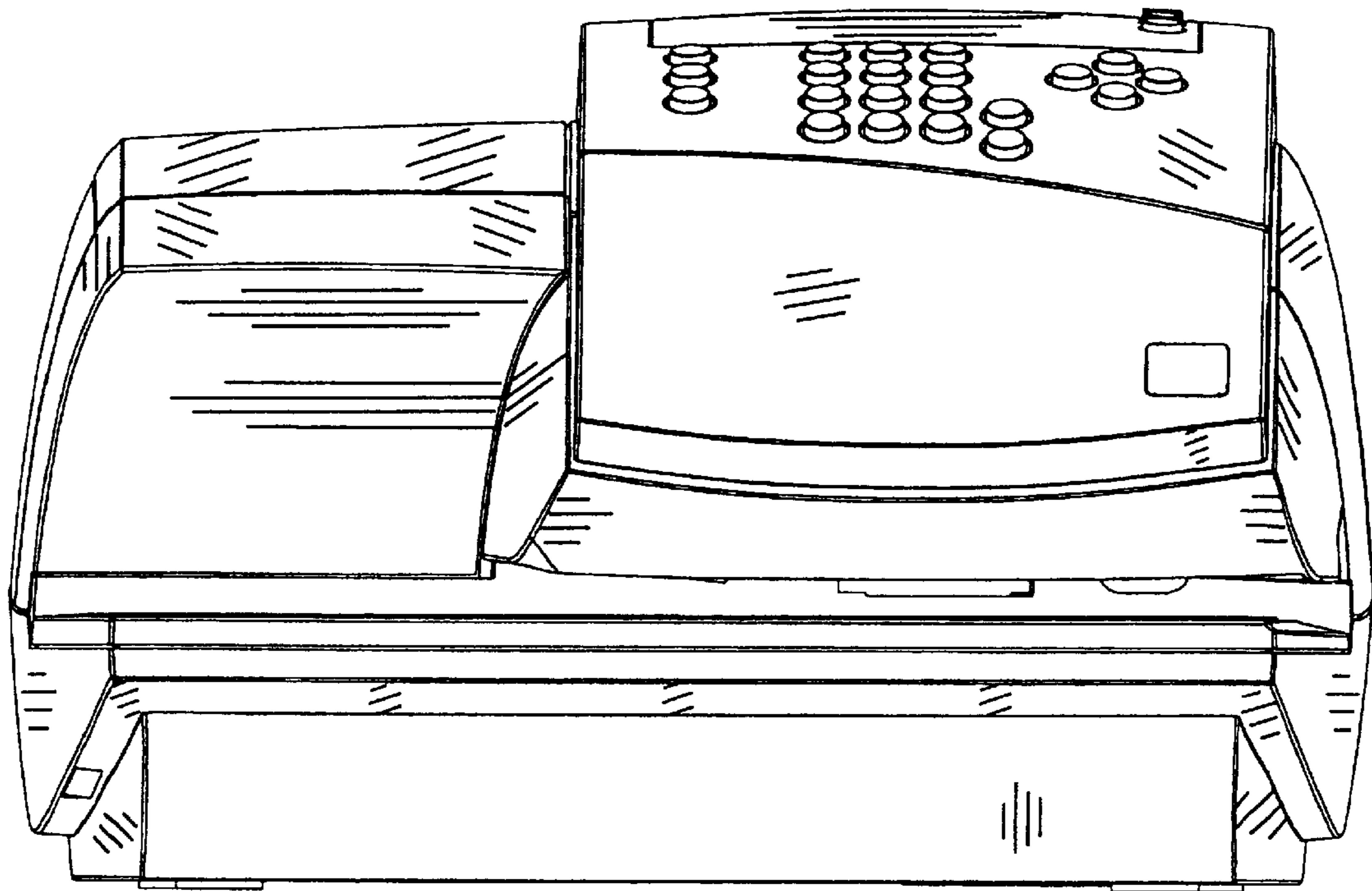


FIG. 1

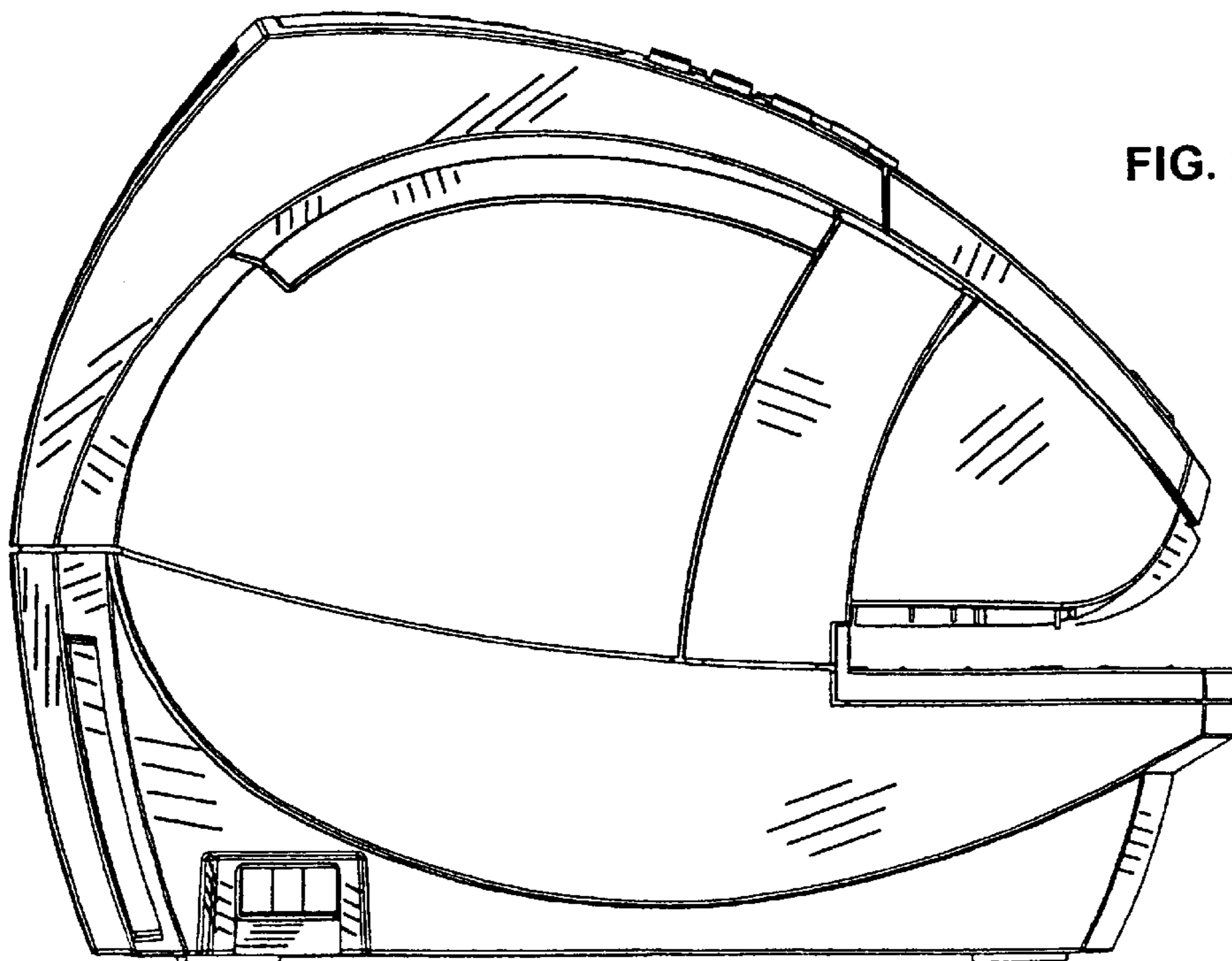


FIG. 2

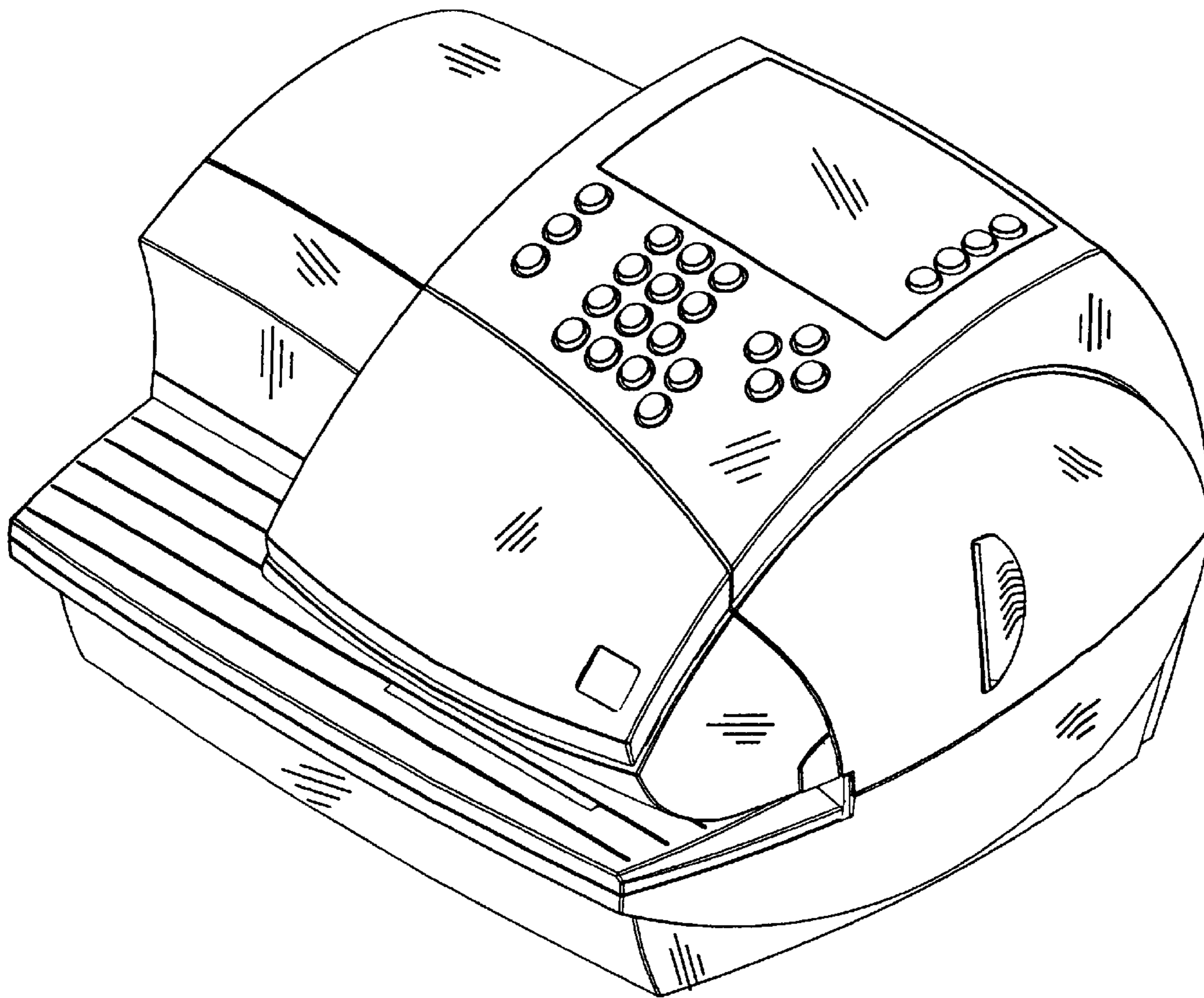


FIG. 3

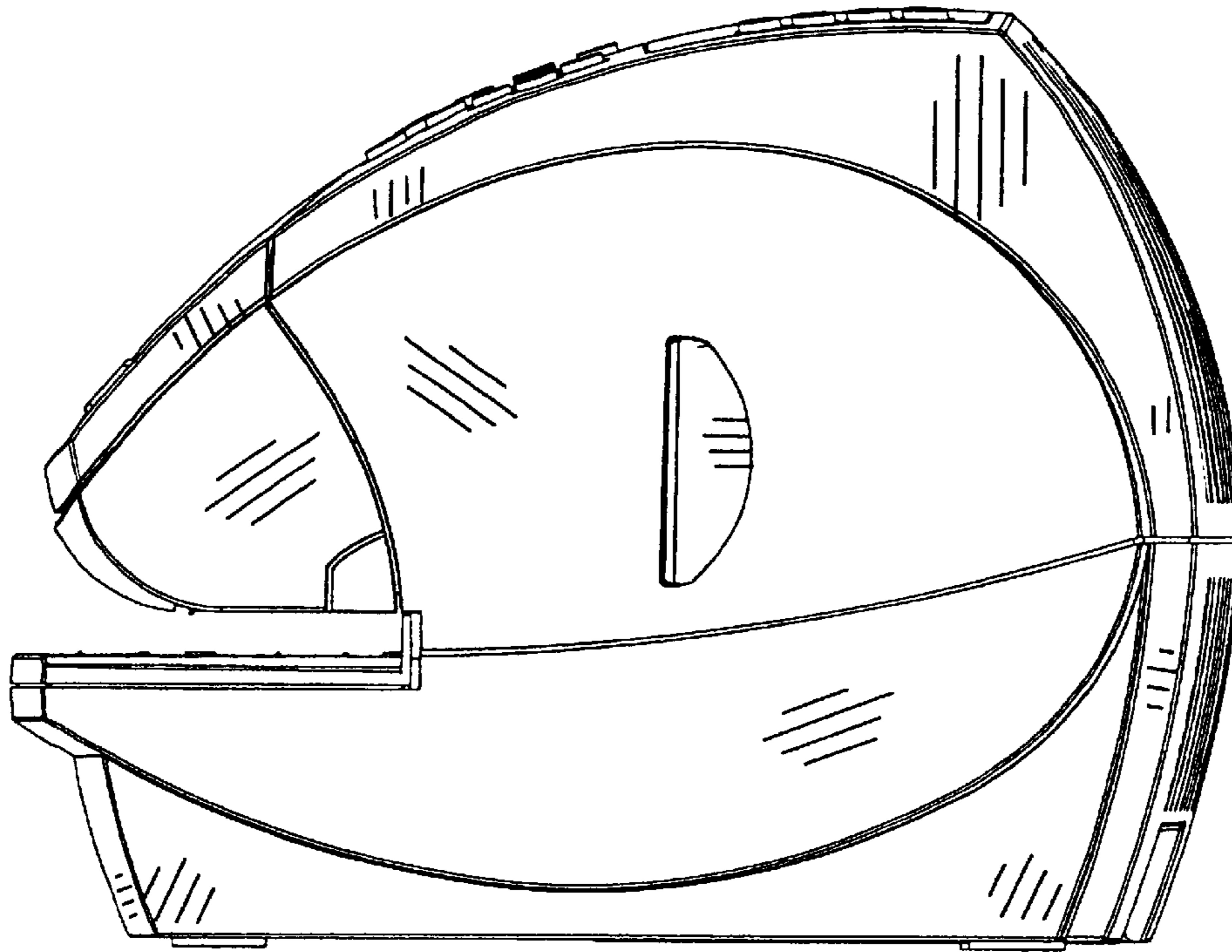


FIG. 4

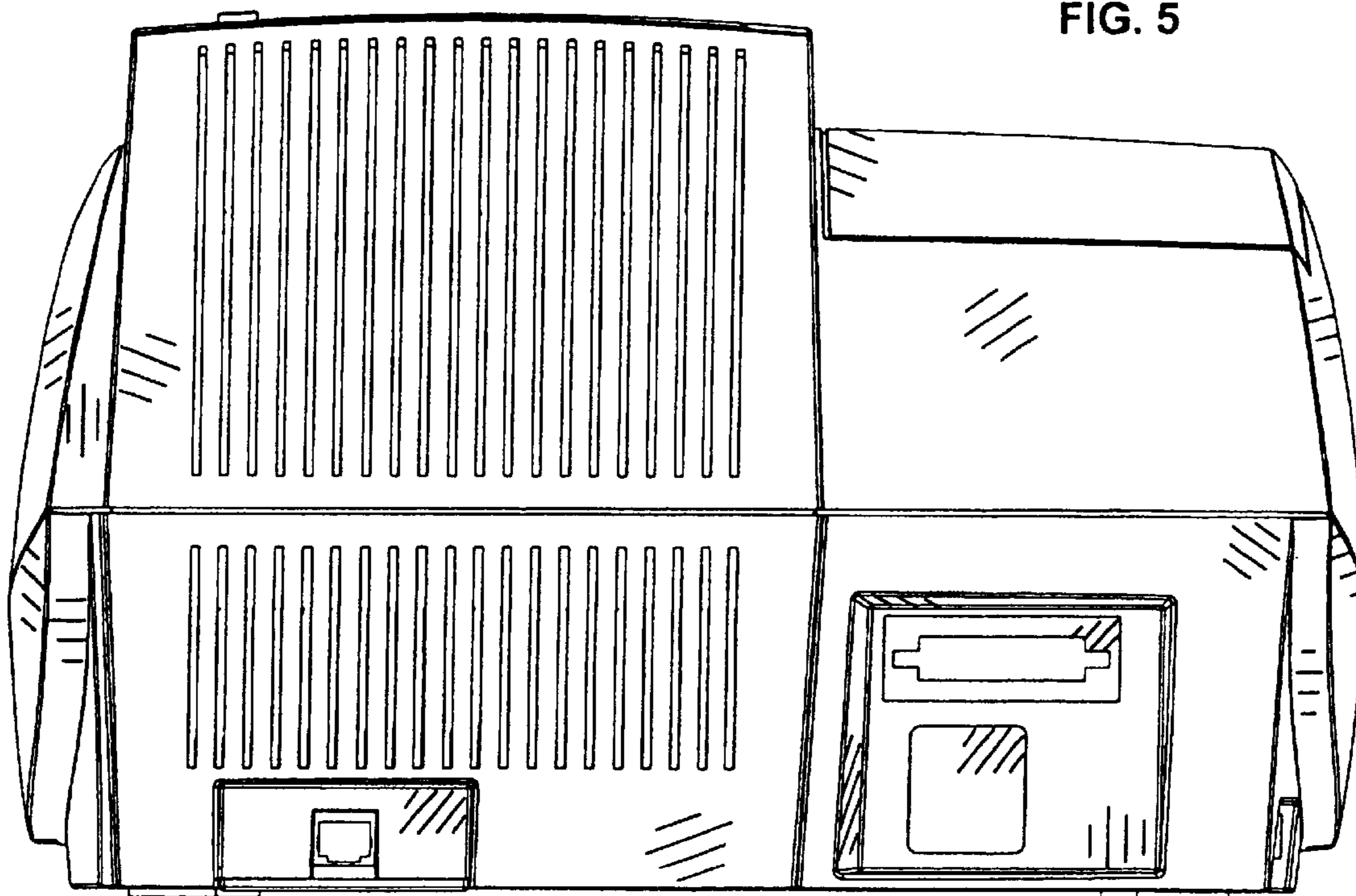


FIG. 5

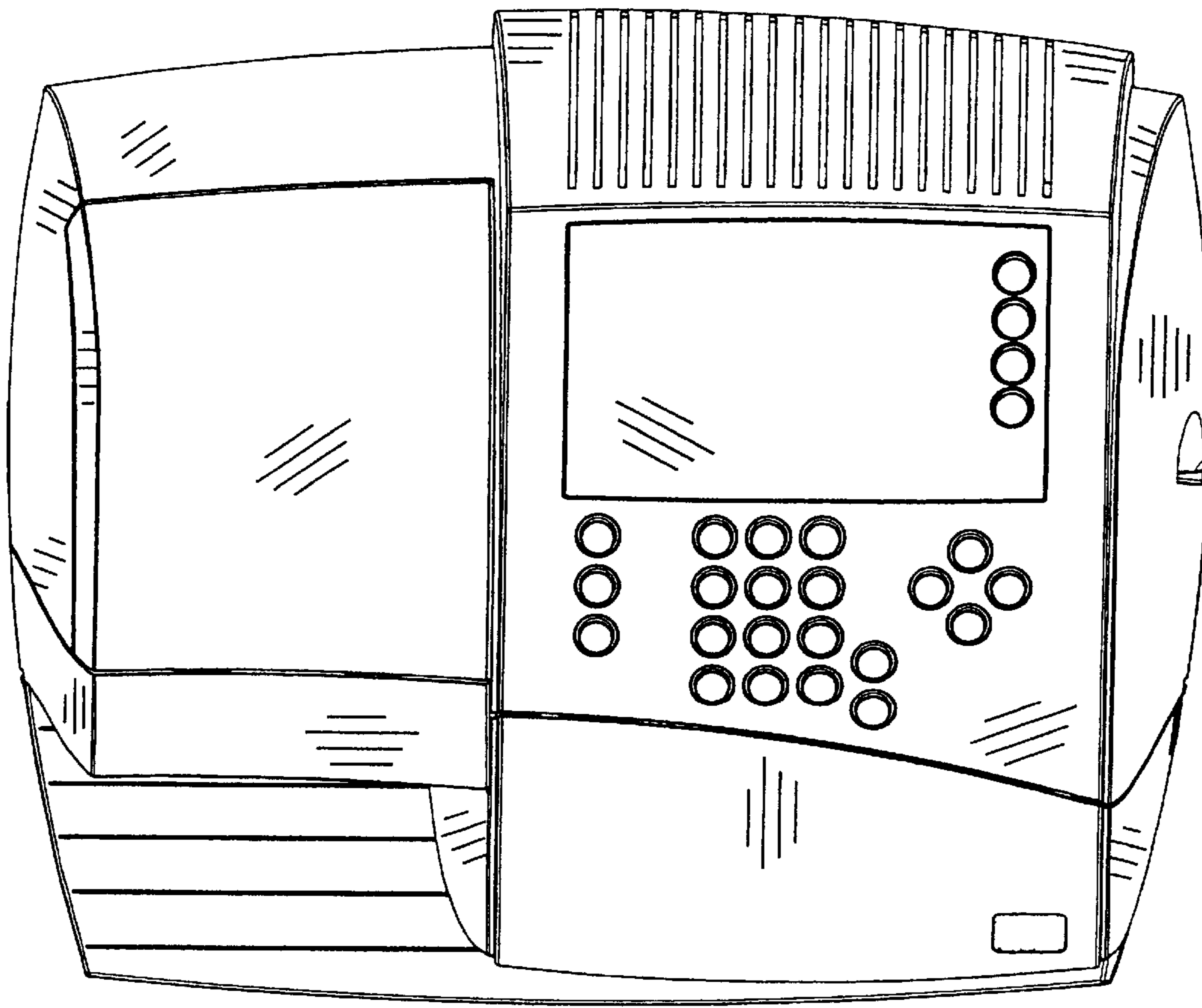


FIG. 6