



US00D526003S

(12) **United States Design Patent**  
**Shih**

(10) **Patent No.:** **US D526,003 S**

(45) **Date of Patent:** **\*\* Aug. 1, 2006**

(54) **CASH REGISTER**

(75) Inventor: **Leon Shih**, Tao-Yuan Hsien (TW)

(73) Assignee: **Universal Scientific Industrial Co., Ltd.** (TW)

(\*\*) Term: **14 Years**

(21) Appl. No.: **29/219,577**

(22) Filed: **Dec. 17, 2004**

(51) **LOC (8) Cl.** ..... **18-01**

(52) **U.S. Cl.** ..... **D18/4.6; D18/4.5**

(58) **Field of Classification Search** ..... D18/3.1-3.3,  
D18/4.1-4.6, 6, 12, 12.1-12.3; D14/315,  
D14/316, 336, 371-376; D21/324, 329-332;  
D99/28, 43; 235/1 E, 6, 7 R, 33, 50 A, 50 B,  
235/50 R, 51, 379, 386; 705/12, 15-18, 40,  
705/43

See application file for complete search history.

(56) **References Cited**

**U.S. PATENT DOCUMENTS**

D319,435 S	*	8/1991	Brown	.....	D14/336
D363,467 S	*	10/1995	Takahashi	.....	D14/336
D364,855 S	*	12/1995	Onoda	.....	D14/375
D383,733 S	*	9/1997	Mieki	.....	D14/336

D408,296 S	*	4/1999	Hui	.....	D10/15
D410,439 S	*	6/1999	Shibata	.....	D14/336
D422,973 S	*	4/2000	Imahashi et al.	.....	D14/336
D432,533 S	*	10/2000	Jin	.....	D14/336
D442,951 S	*	5/2001	Hill et al.	.....	D14/336
6,363,355 B1	*	3/2002	Morrison et al.	.....	705/16
D507,592 S	*	7/2005	Mizusugi et al.	.....	D18/4.1
2005/0156024 A1	*	7/2005	Ichikawa et al.	.....	235/379

\* cited by examiner

*Primary Examiner*—Caron Veynar

*Assistant Examiner*—Garth Rademaker

(74) *Attorney, Agent, or Firm*—Caesar, Rivise, Bernstein, Cohen & Pokotilow, Ltd.

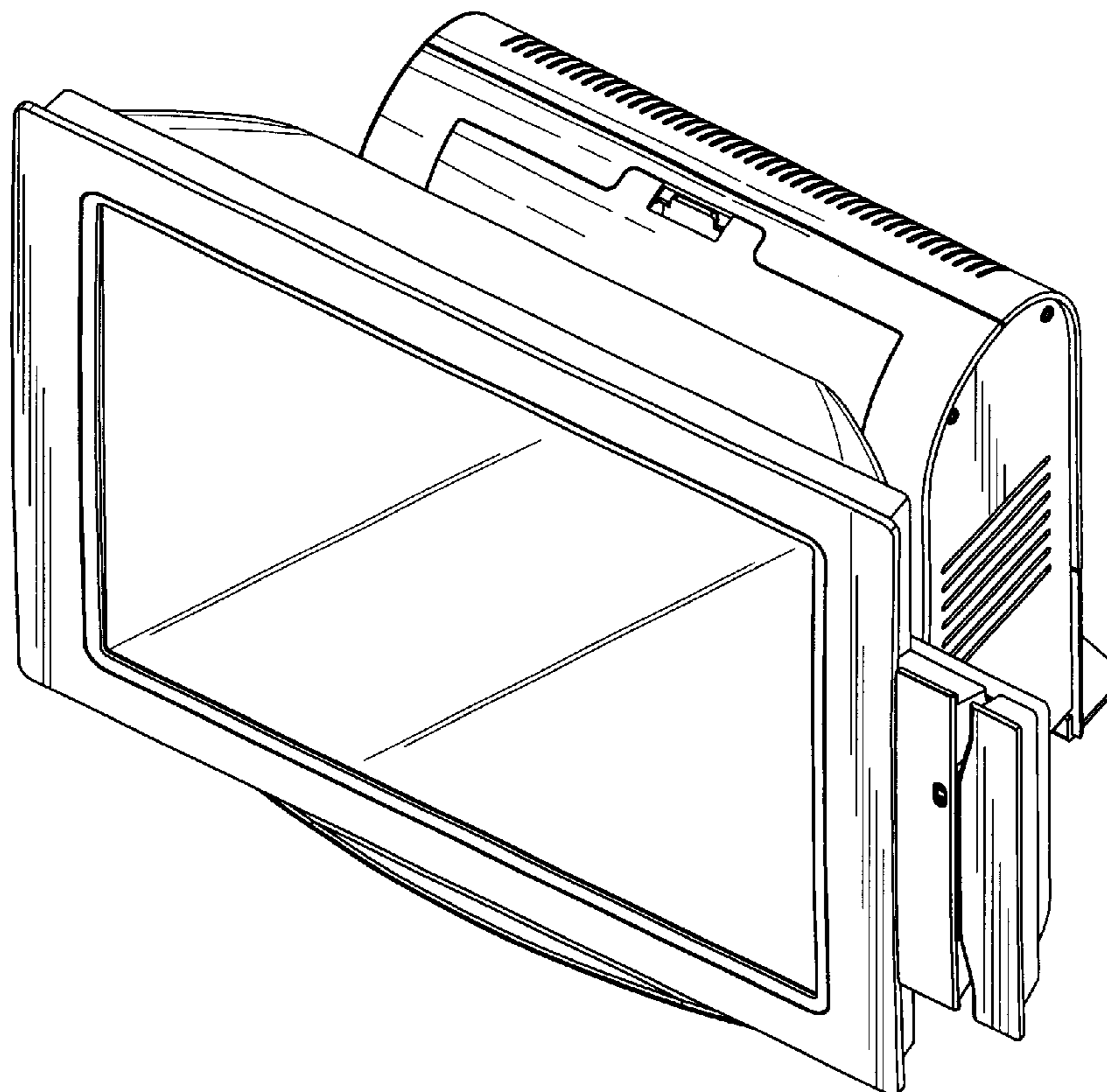
(57) **CLAIM**

The ornamental design for a cash register, as shown.

**DESCRIPTION**

FIG. 1 is a perspective view of the cash register according to the design;  
FIG. 2 is a front elevational view thereof;  
FIG. 3 is a rear elevational view thereof;  
FIG. 4 is a left side elevational view thereof;  
FIG. 5 is a right side elevational view thereof;  
FIG. 6 is a top plan view thereof; and,  
FIG. 7 is a bottom plan view thereof.

**1 Claim, 7 Drawing Sheets**



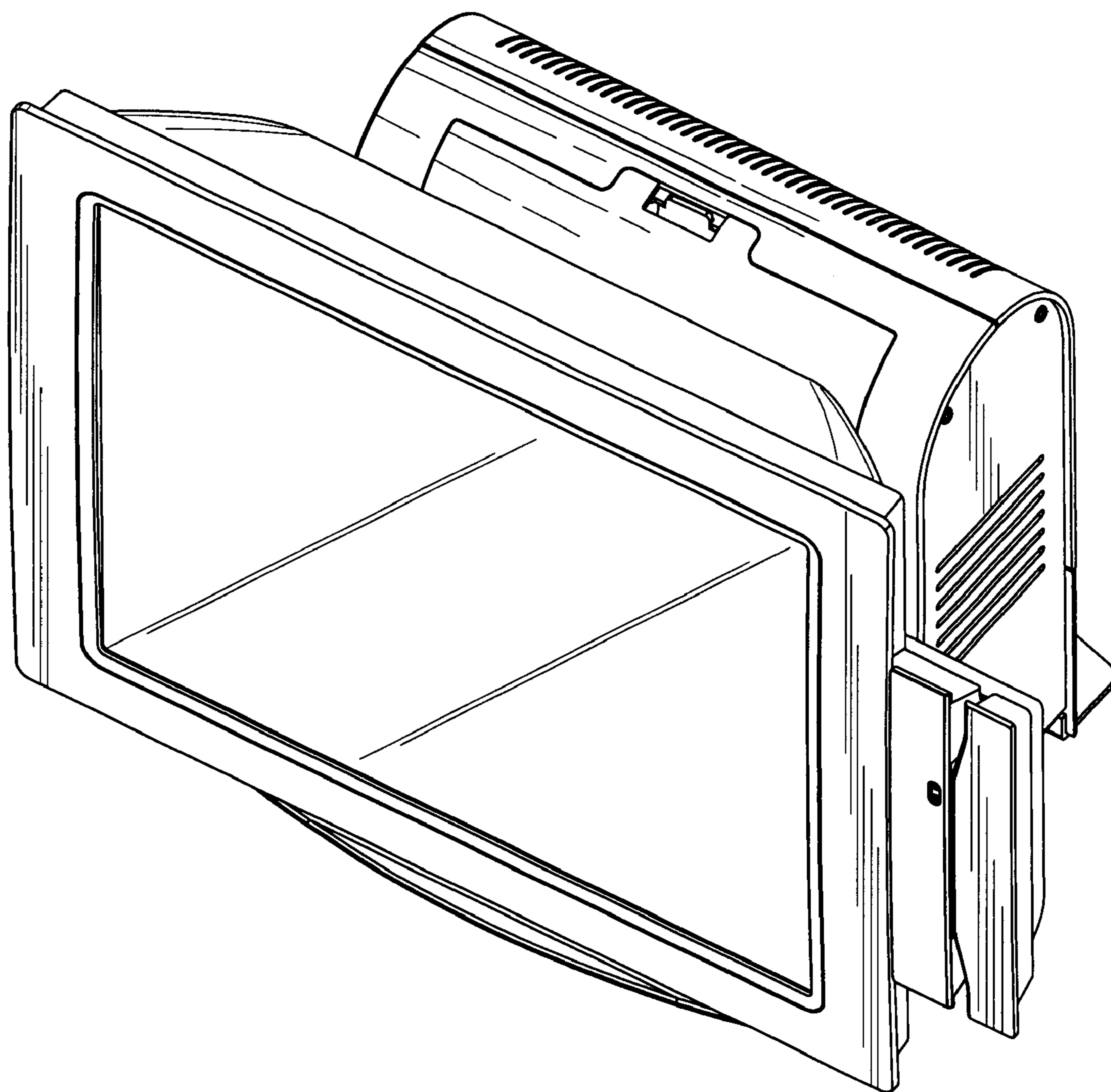


FIG. 1

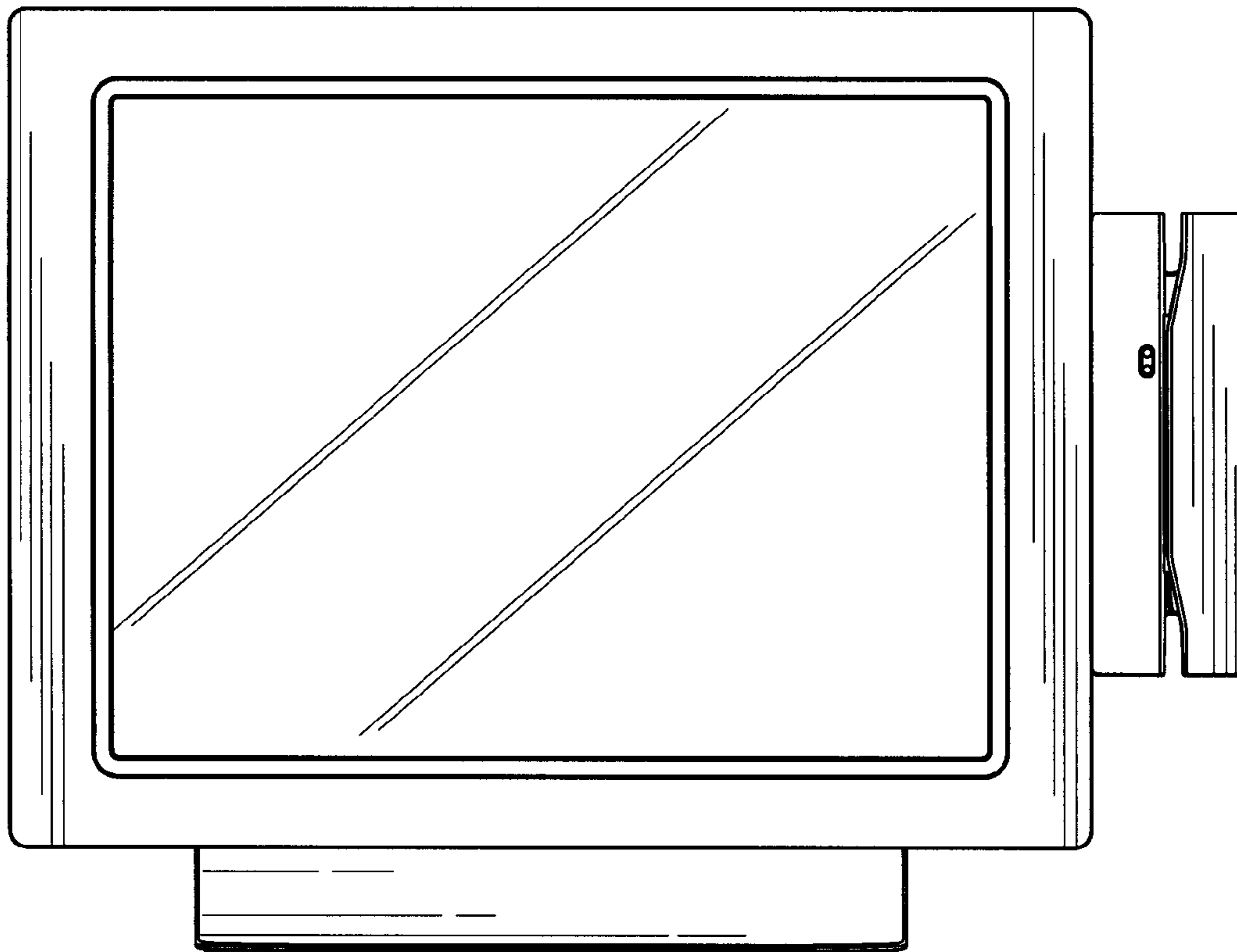


FIG. 2

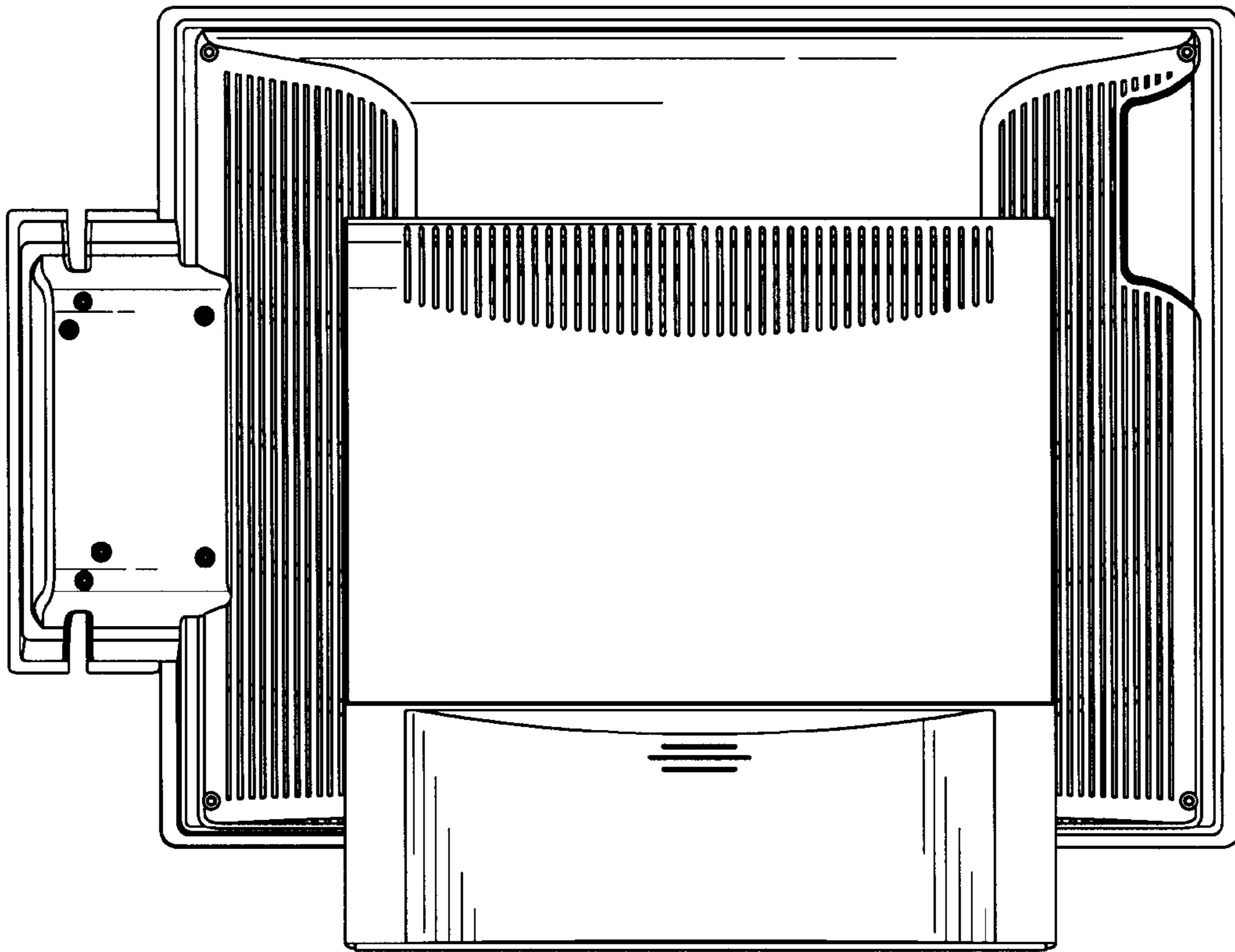


FIG. 3

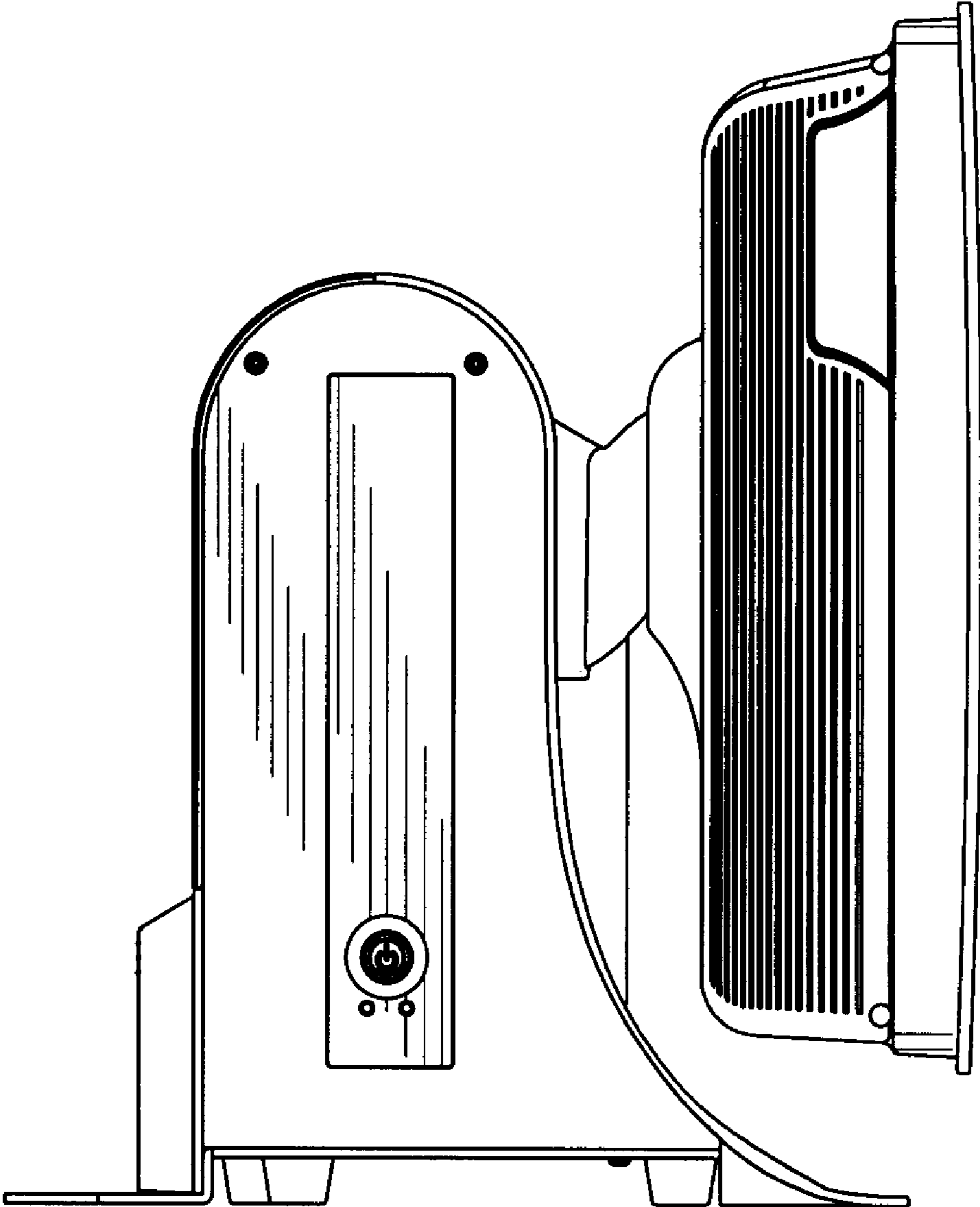


FIG. 4

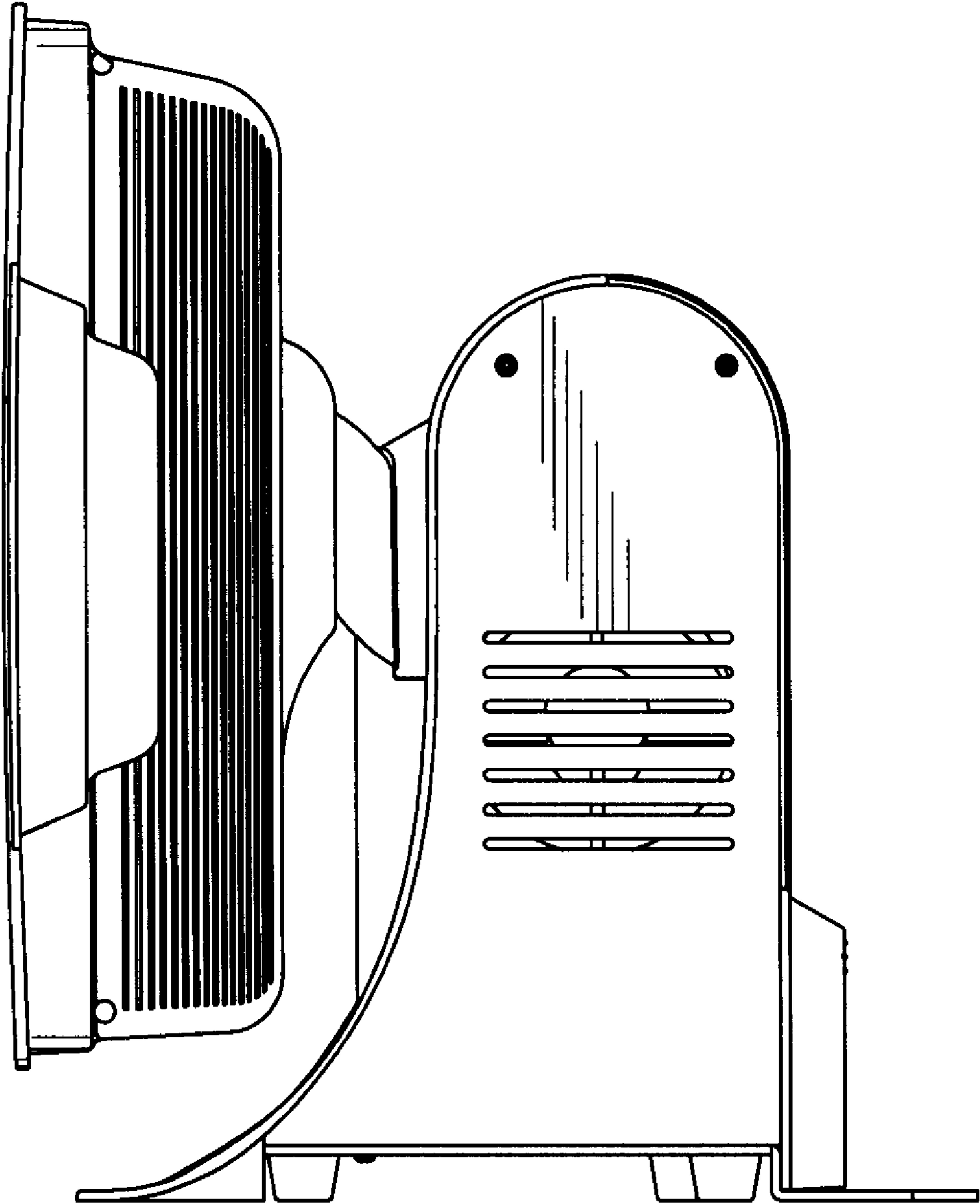


FIG. 5

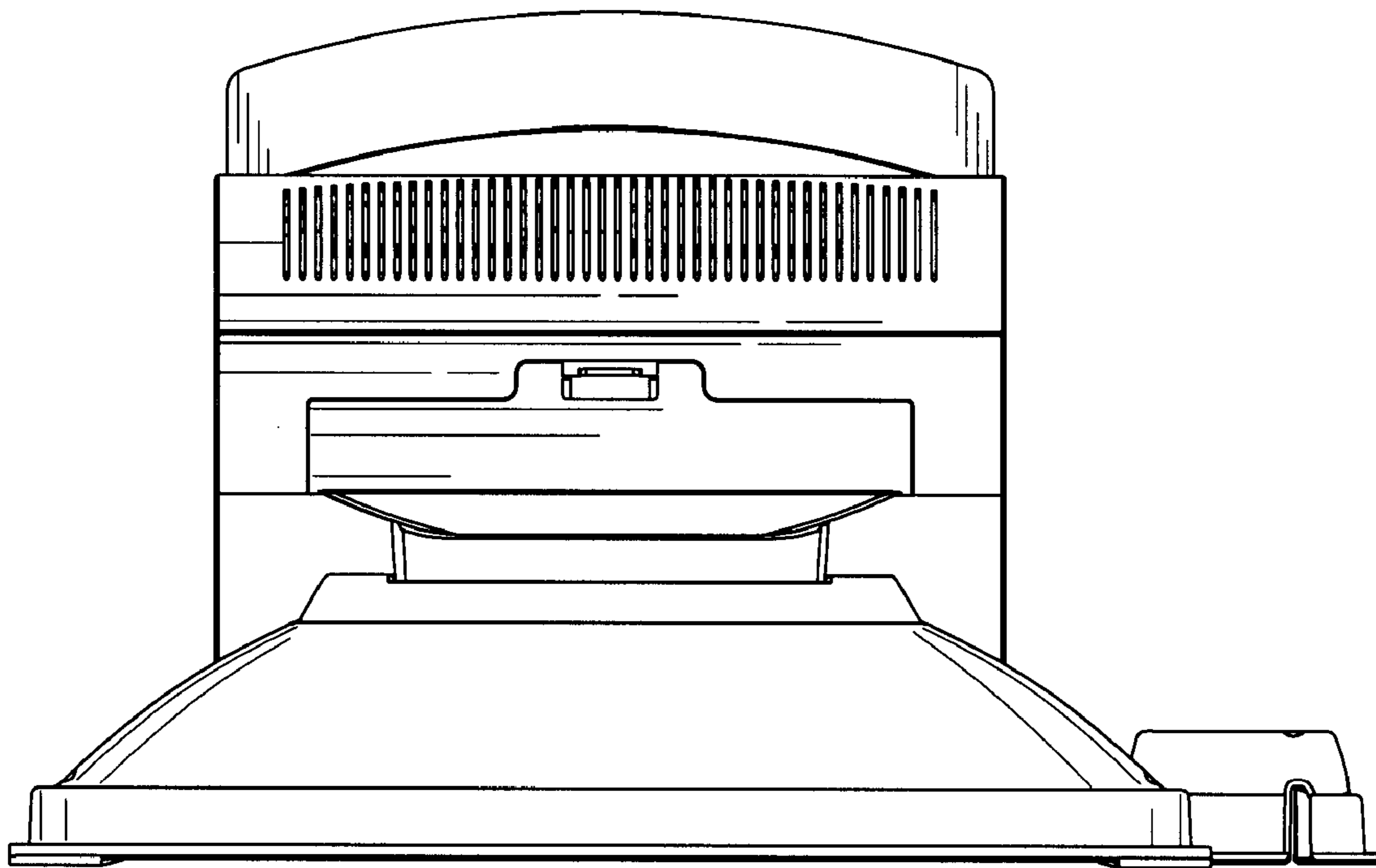


FIG. 6

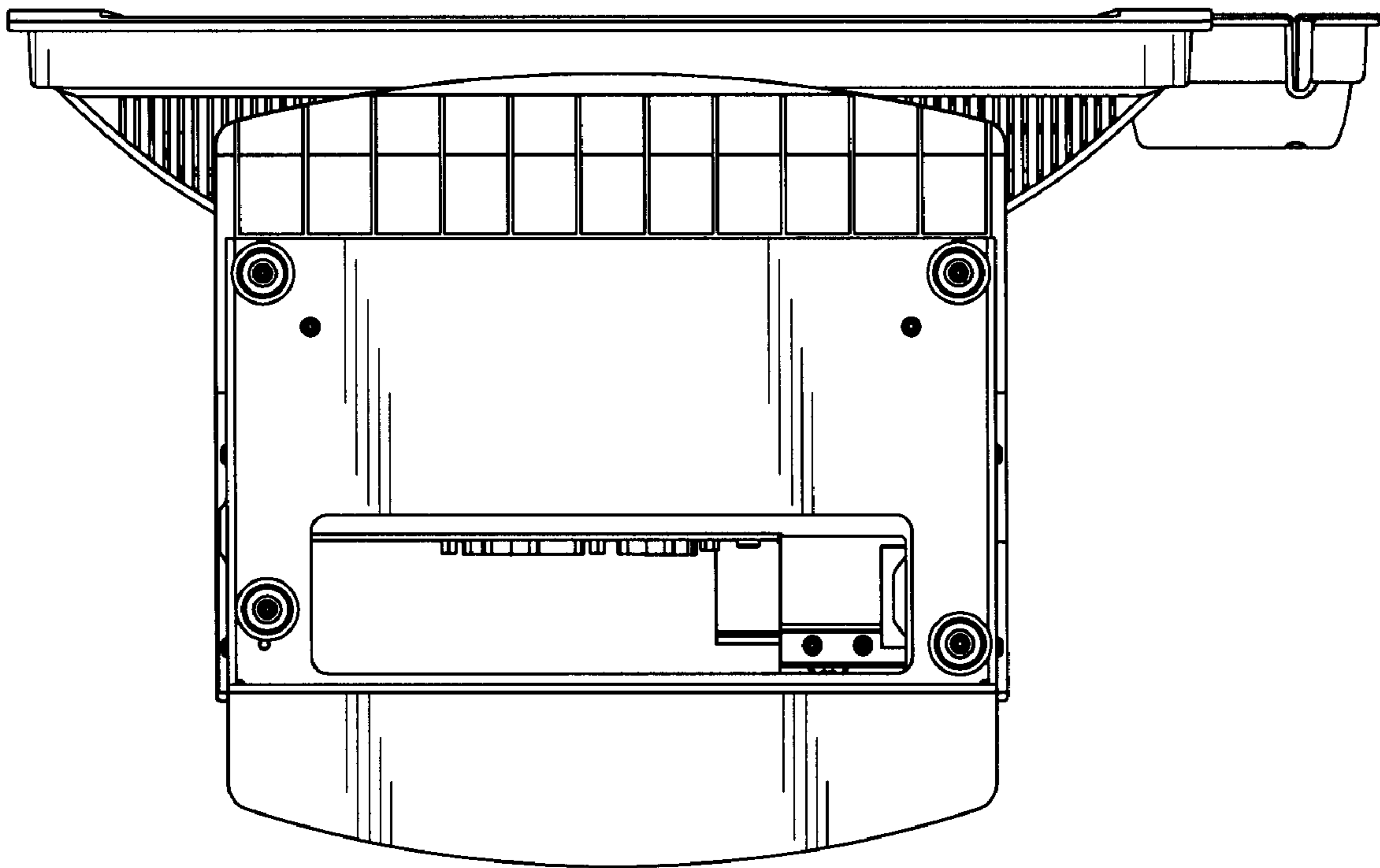


FIG. 7