



US00D526002S

(12) **United States Design Patent**
Nakajima et al.

(10) **Patent No.:** **US D526,002 S**

(45) **Date of Patent:** **** Aug. 1, 2006**

(54) **CASH REGISTER**

(75) Inventors: **Akira Nakajima**, Fujisawa (JP);
Satoshi Yonai, Yokohama (JP); **Teruo Kato**, Yokohama (JP)

(73) Assignee: **Matsushita Electric Industrial Co., Ltd.**, Osaka (JP)

(**) **Term:** **14 Years**

(21) **Appl. No.:** **29/212,595**

(22) **Filed:** **Sep. 3, 2004**

(30) **Foreign Application Priority Data**

Mar. 17, 2004 (JP) 2004-008093

(51) **LOC (8) Cl.** **18-01**

(52) **U.S. Cl.** **D18/4.5**

(58) **Field of Classification Search** D18/3.1-3.3,
D18/4.1-4.6, 6, 12, 12.1-12.3; D14/315,
D14/316, 336, 371-376; D21/324, 329-332;
D99/28, 43; 235/1 E, 6, 7 R, 33, 50 A, 50 B,
235/50 R, 51, 379, 386; 705/12, 15-18, 40,
705/43

See application file for complete search history.

(56) **References Cited**

U.S. PATENT DOCUMENTS

- D333,147 S 2/1993 Miyake et al.
- D345,966 S * 4/1994 Perez D18/4.5
- D359,952 S * 7/1995 Cox et al. D18/4.5
- D360,196 S 7/1995 Cox et al.
- D361,757 S 8/1995 Mizusugi et al.
- D363,467 S * 10/1995 Takahashi D14/336
- D389,813 S 1/1998 Itoh

- D420,040 S 2/2000 Mizusugi et al.
- D424,098 S 5/2000 Kim
- D424,602 S 5/2000 Lin
- D425,928 S 5/2000 Jobetto et al.
- D433,701 S * 11/2000 Chiu D18/4.6
- D437,317 S 2/2001 Howarth et al.
- D447,136 S * 8/2001 Groves et al. D14/336
- 6,629,636 B1 * 10/2003 Hayashi et al. 235/379
- D491,216 S * 6/2004 Ookushi et al. D18/4.4
- 6,829,467 B1 * 12/2004 Ochiai 705/16

FOREIGN PATENT DOCUMENTS

- JP 1078686 7/2000
- JP 1099911 2/2001

* cited by examiner

Primary Examiner—Caron Veynar

Assistant Examiner—Garth Rademaker

(74) *Attorney, Agent, or Firm*—Brinks Hofer Gilson & Lione

(57) **CLAIM**

The ornamental design for a cash register, as shown.

DESCRIPTION

FIG. 1 is a top front perspective view of a cash register of the present invention;

FIG. 2 is a front view thereof;

FIG. 3 is a rear view thereof;

FIG. 4 is a left side view thereof;

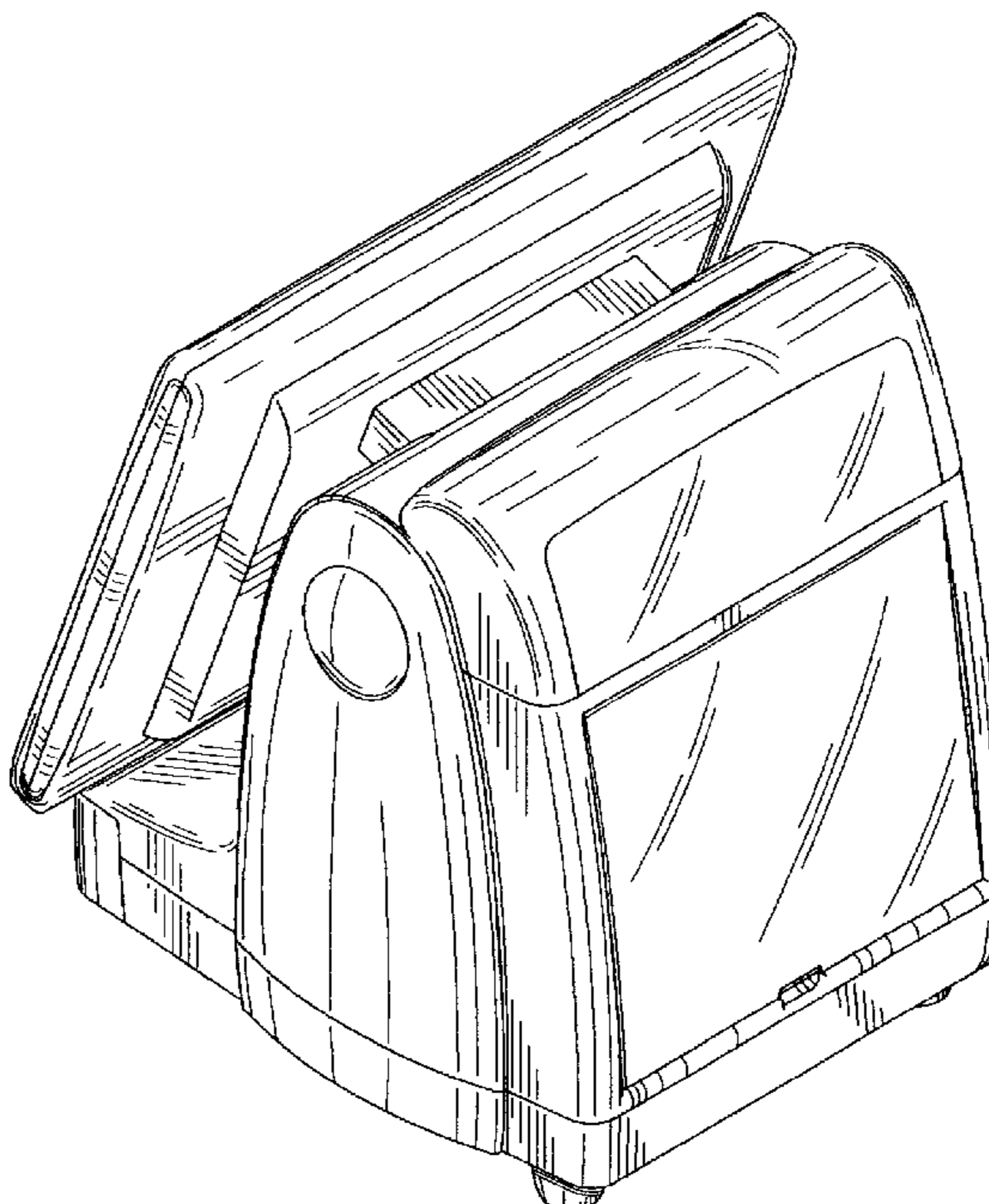
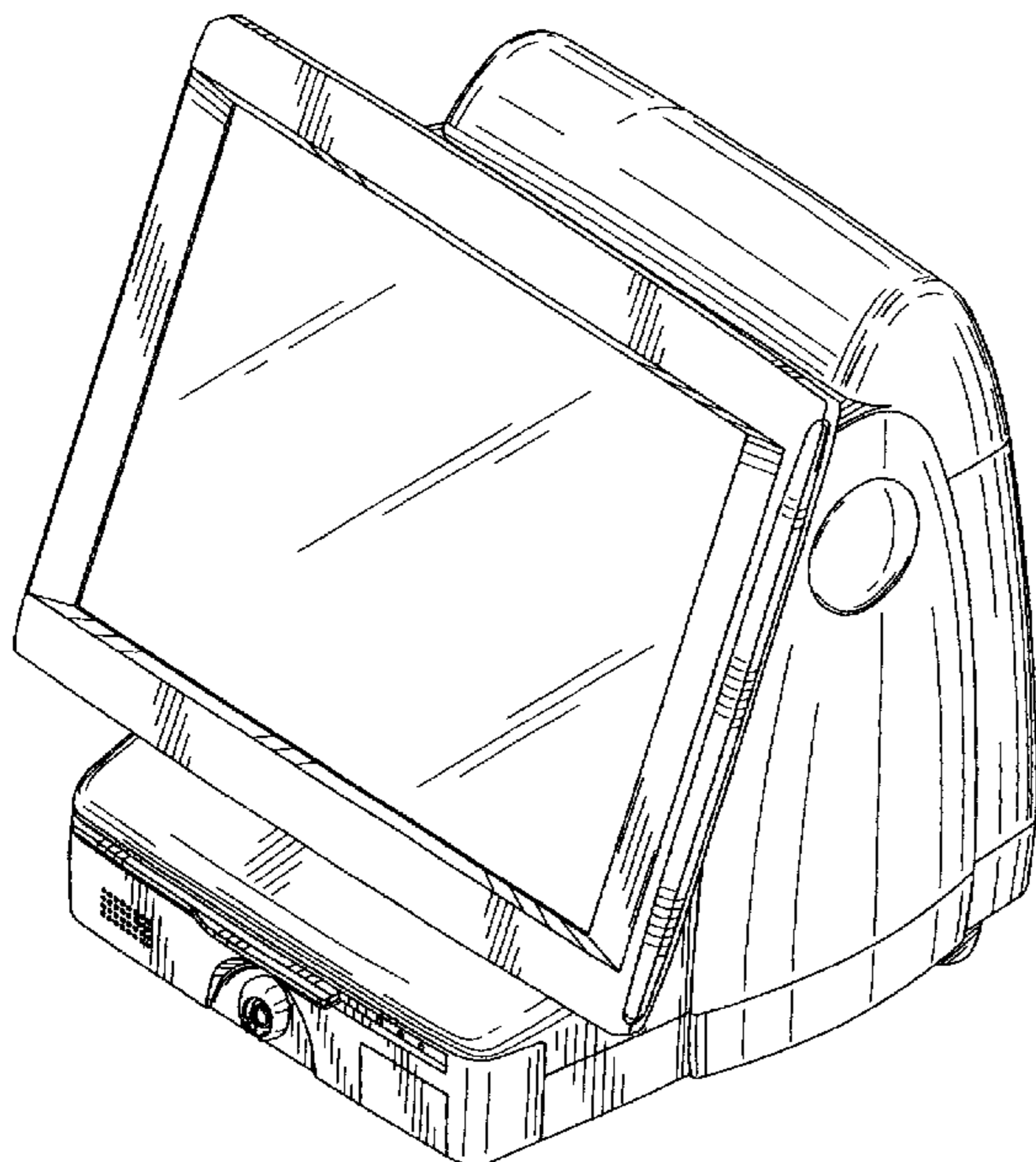
FIG. 5 is a right side view thereof;

FIG. 6 is a top view thereof;

FIG. 7 is a bottom view thereof; and,

FIG. 8 is a top rear perspective view thereof.

1 Claim, 8 Drawing Sheets



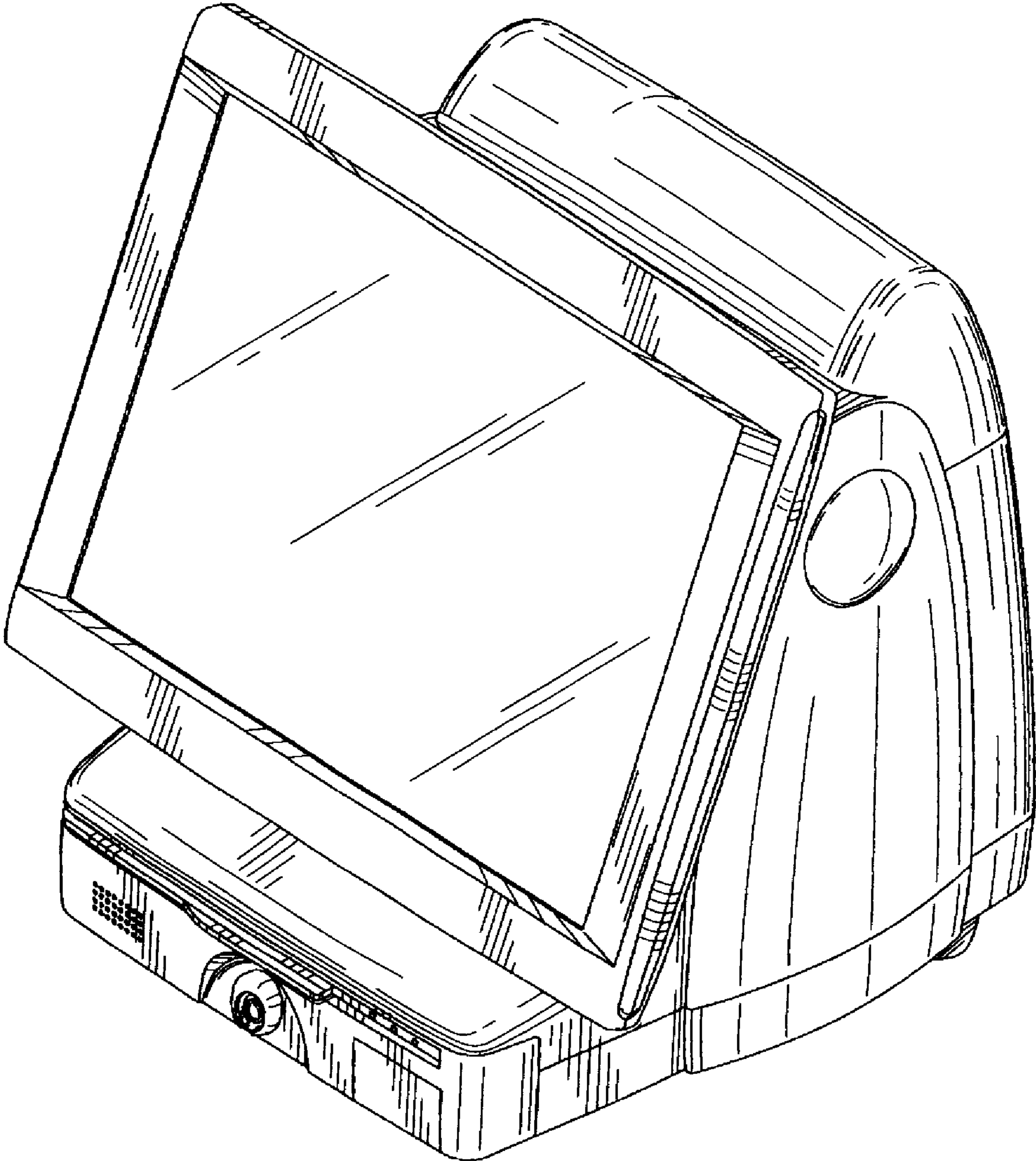


FIG. 1

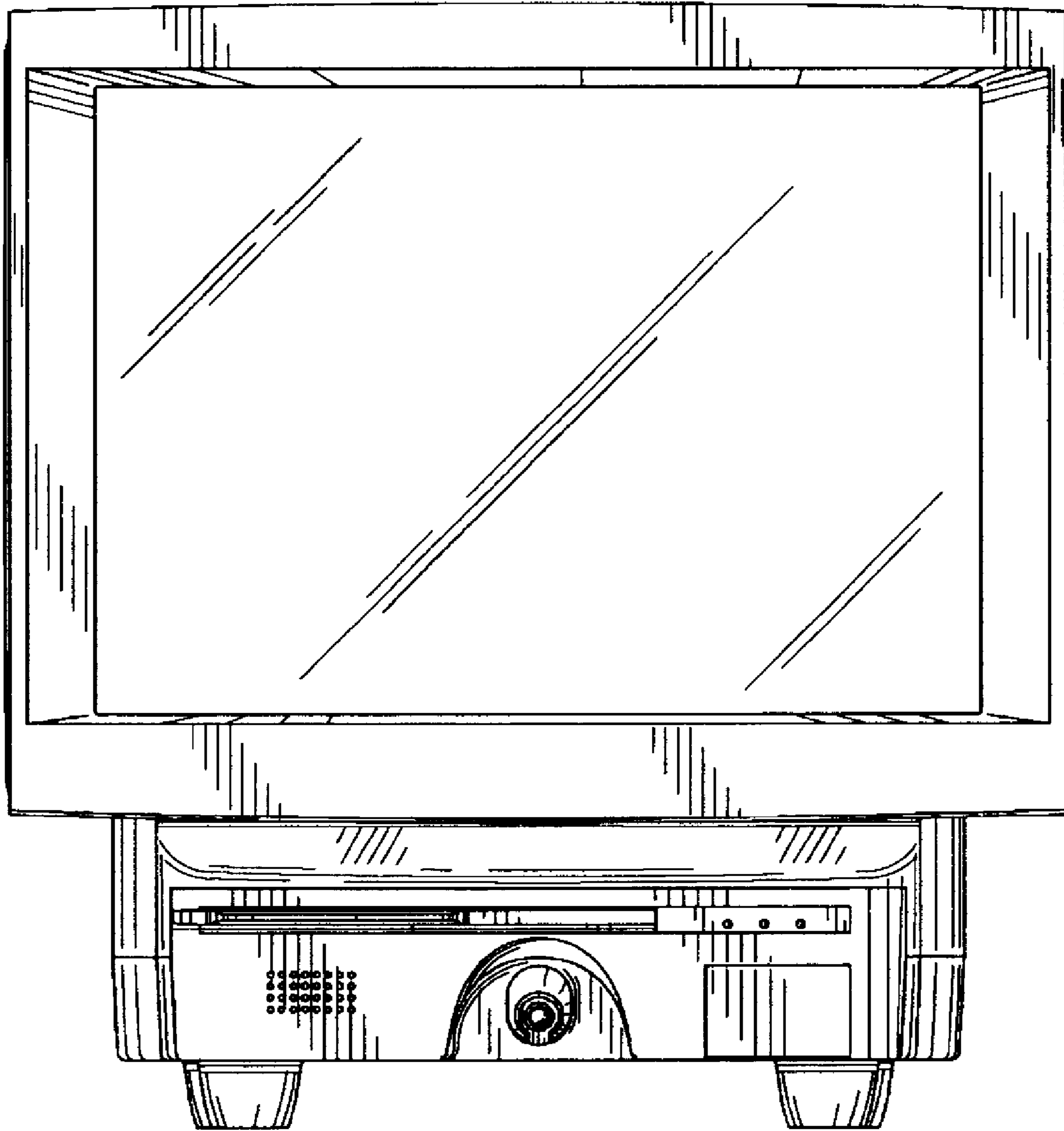


FIG. 2

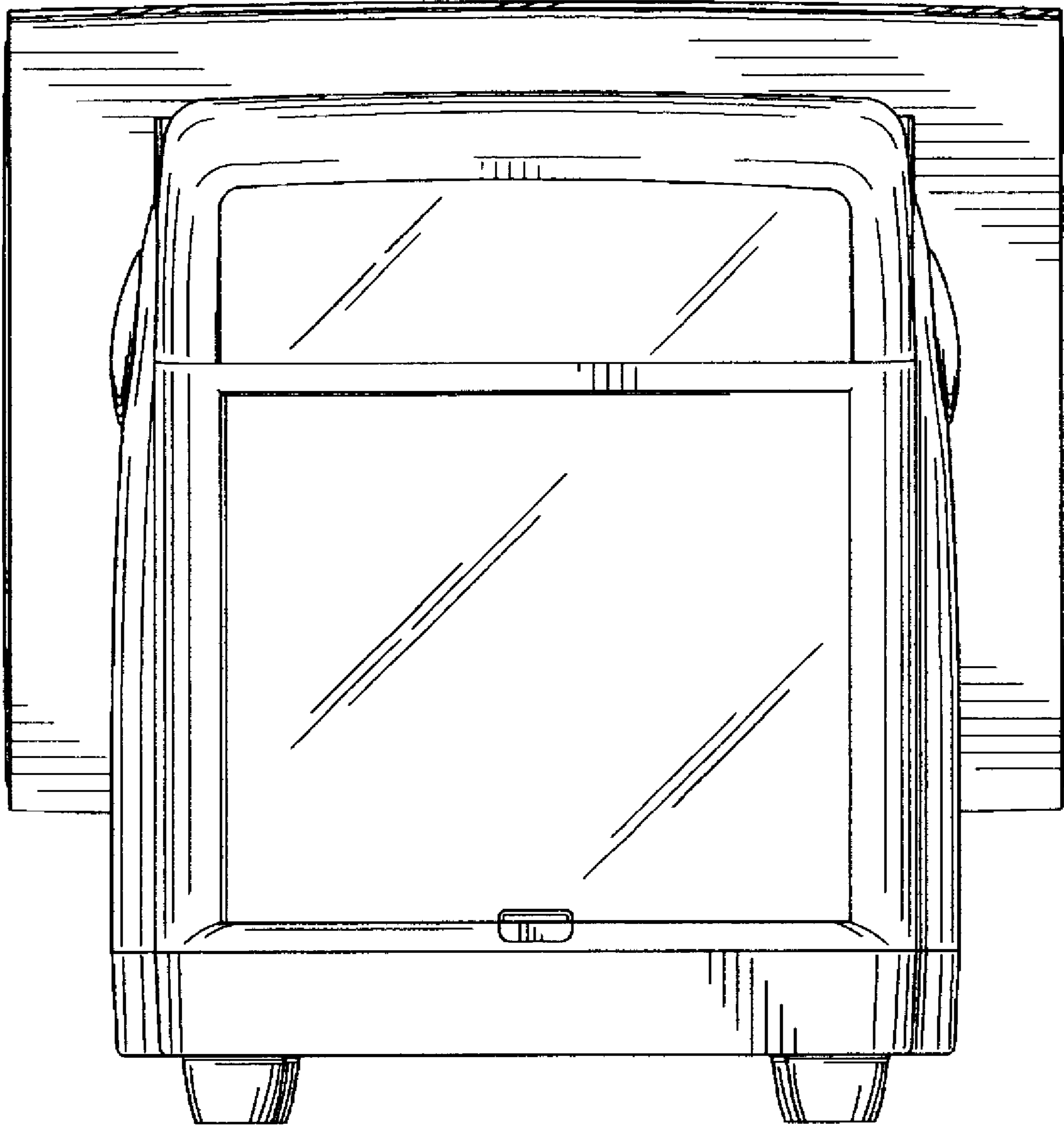


FIG. 3

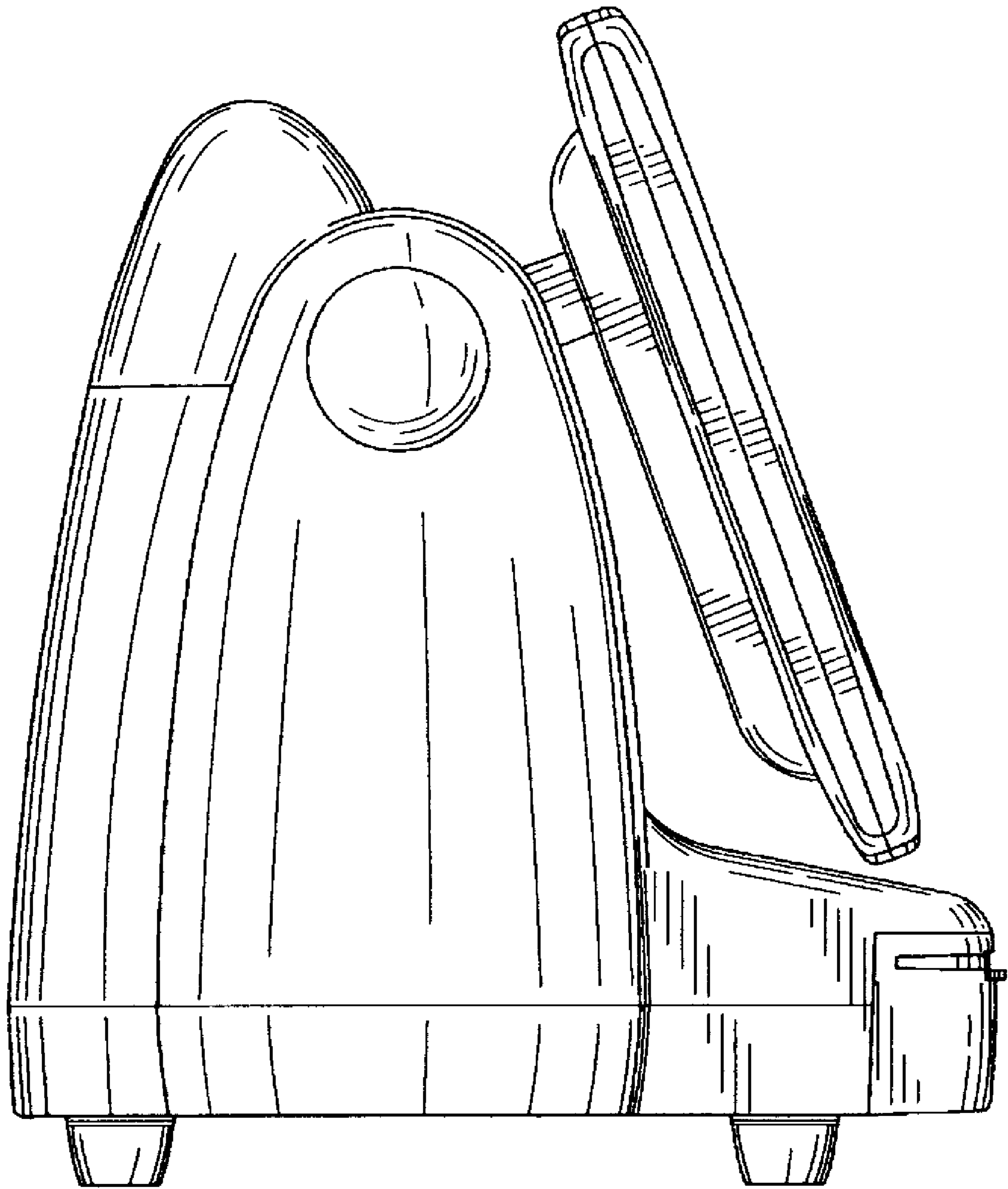


FIG. 4

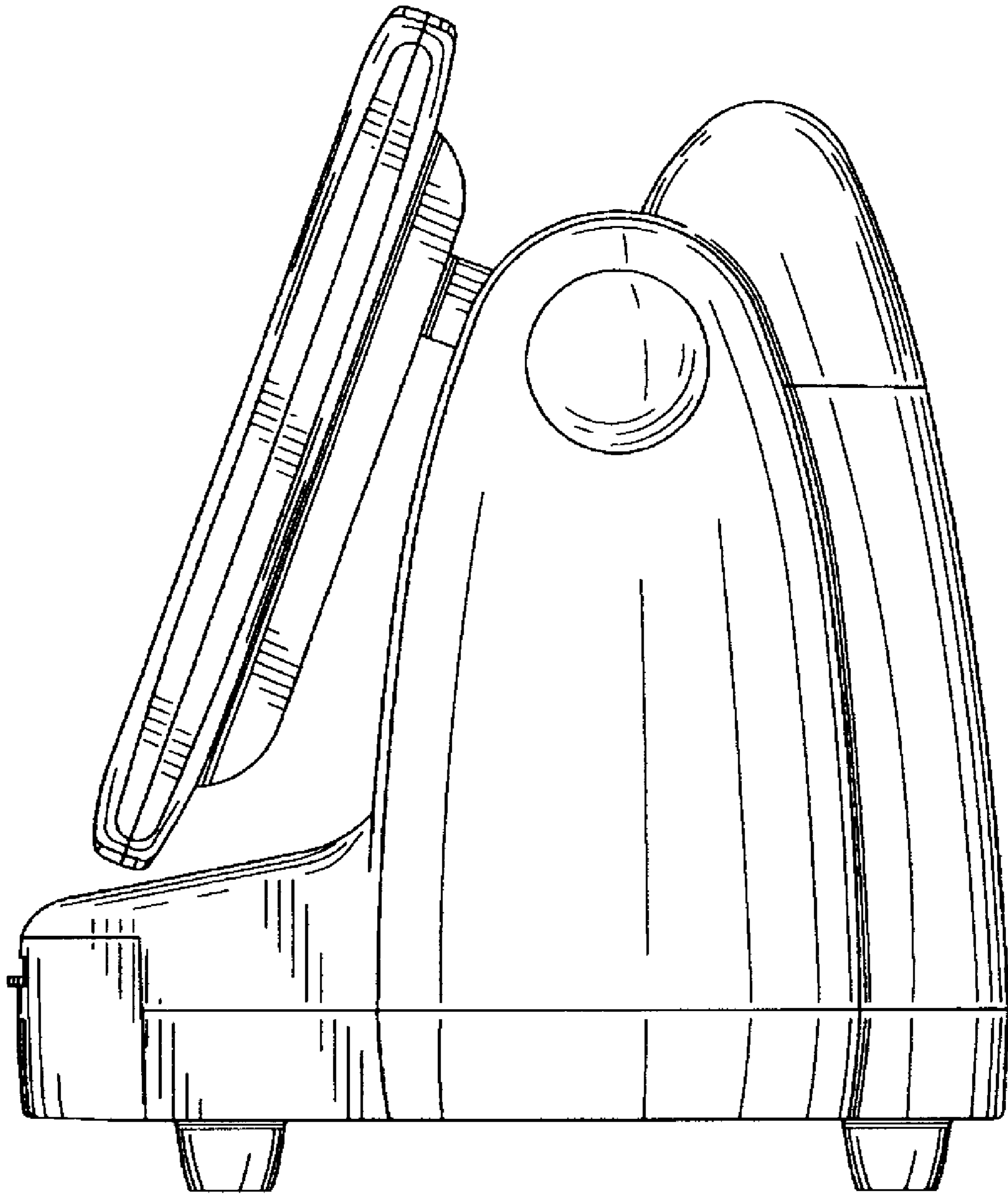


FIG. 5

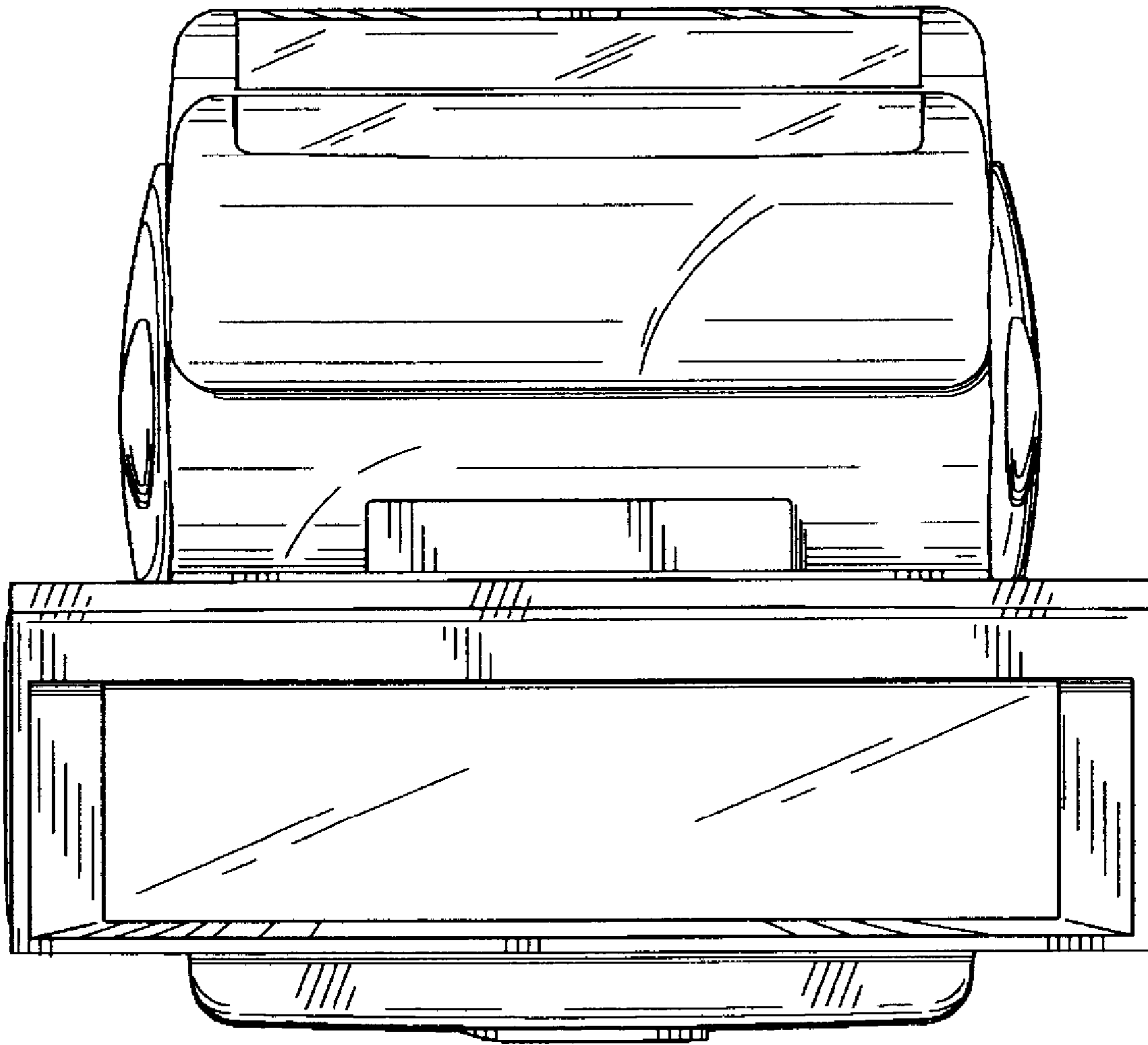


FIG. 6

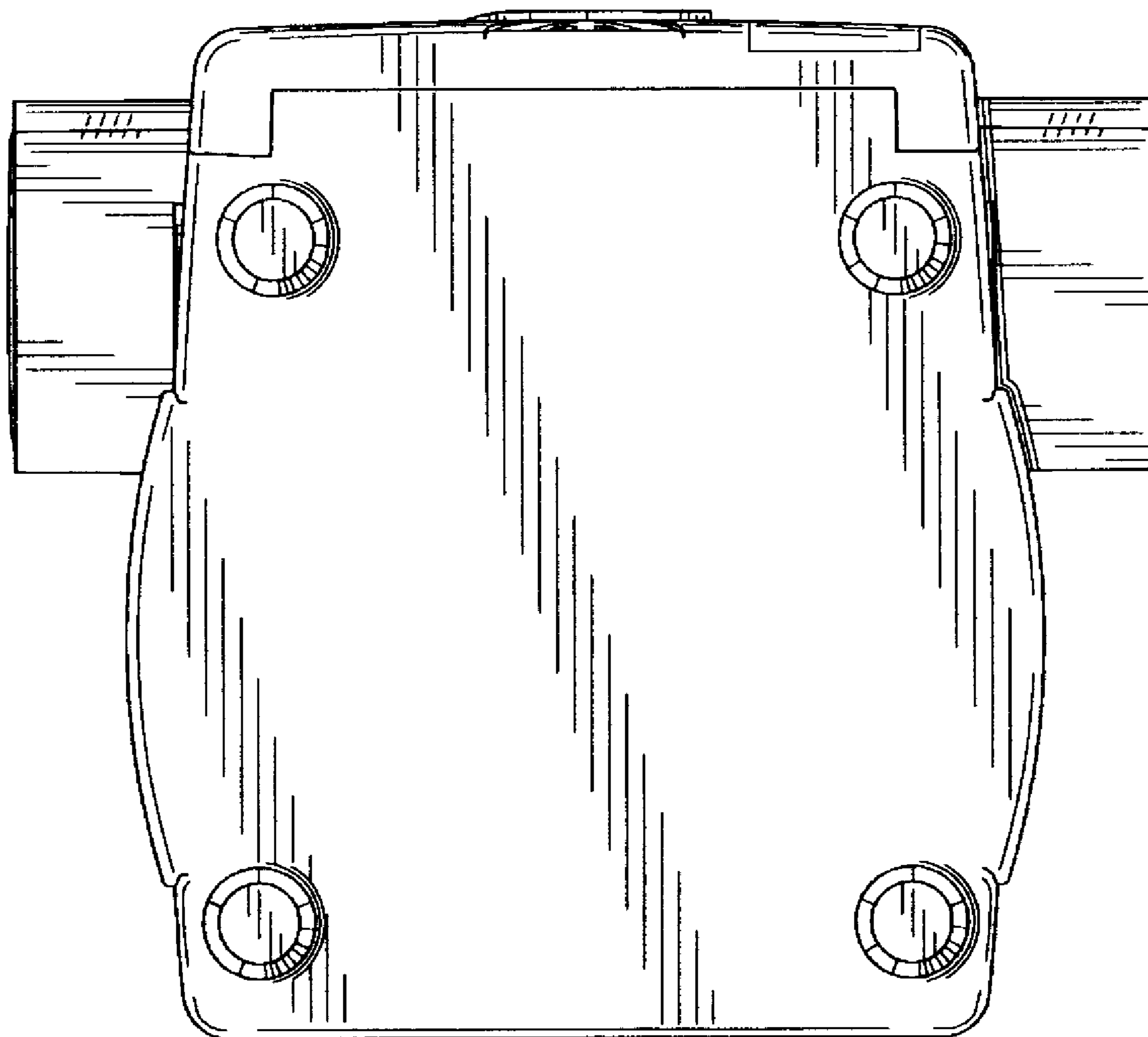


FIG. 7

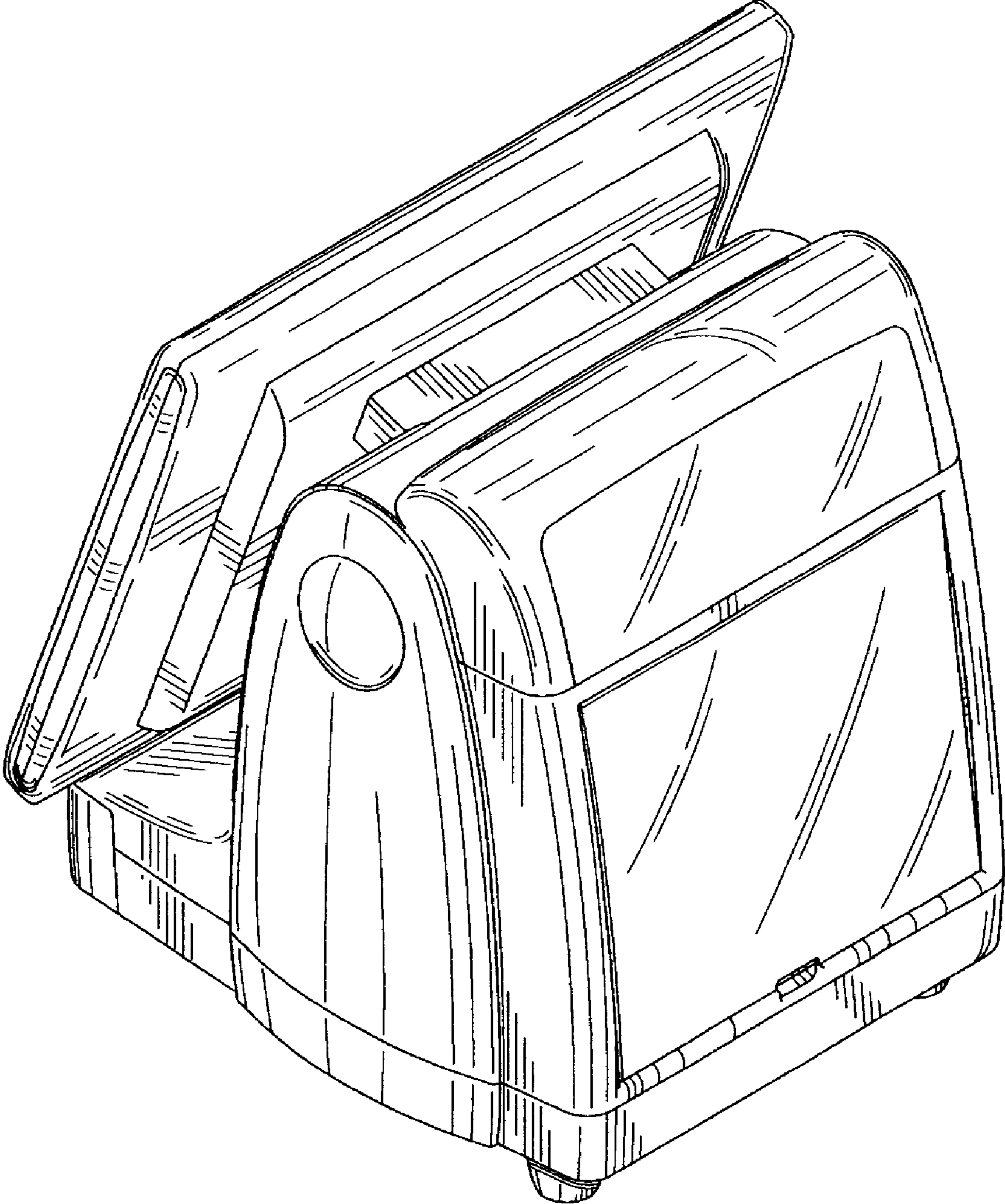


FIG. 8