



US00D525999S

(12) **United States Design Patent**  
**Matsuda**

(10) **Patent No.:** **US D525,999 S**

(45) **Date of Patent:** **\*\* Aug. 1, 2006**

(54) **CRADLE FOR DIGITAL CAMERA**

(75) Inventor: **Takashi Matsuda**, Saitama (JP)

(73) Assignee: **PENTAX Corporation**, Tokyo (JP)

(\*\*) Term: **14 Years**

(21) Appl. No.: **29/221,688**

(22) Filed: **Jan. 21, 2005**

(30) **Foreign Application Priority Data**

Aug. 23, 2004 (JP) ..... 2004-025119

(51) **LOC (8) Cl.** ..... **16-05**

(52) **U.S. Cl.** ..... **D16/242**

(58) **Field of Classification Search** ..... D13/107,  
D13/108; D16/202, 203, 208, 219, 237, 242,  
D16/244, 245; 248/121, 126, 187.1; 352/243;  
396/419, 428

See application file for complete search history.

(56) **References Cited**

**U.S. PATENT DOCUMENTS**

- D349,125 S \* 7/1994 Wilson et al. .... D16/208
- D483,052 S \* 12/2003 Utsunomiya ..... D16/242
- D508,459 S \* 8/2005 Yoshida ..... D13/108
- D515,609 S \* 2/2006 Heatherly et al. .... D16/208
- 2002/0186319 A1 \* 12/2002 Whitby et al. .... 348/375
- 2002/0196360 A1 \* 12/2002 Miyadera ..... 348/373
- 2004/0169742 A1 \* 9/2004 Shibutani et al. .... 348/373

2004/0179135 A1 \* 9/2004 Battles et al. .... 348/373

\* cited by examiner

*Primary Examiner*—Adir Aronovich

(74) *Attorney, Agent, or Firm*—Sughrue Mion, PLLC

(57) **CLAIM**

The ornamental design for a cradle for digital camera, as shown and described.

**DESCRIPTION**

FIG. 1 is a perspective view of the top, front and left side of a cradle for digital camera showing my new design;

FIG. 2 is a front elevational view thereof;

FIG. 3 is a rear elevational view thereof;

FIG. 4 is a right side elevational view thereof;

FIG. 5 is a left side elevational view thereof;

FIG. 6 is a top plan view thereof;

FIG. 7 is a bottom plan view thereof;

FIG. 8 is a cross sectional view thereof at 8—8 shown in FIG. 6;

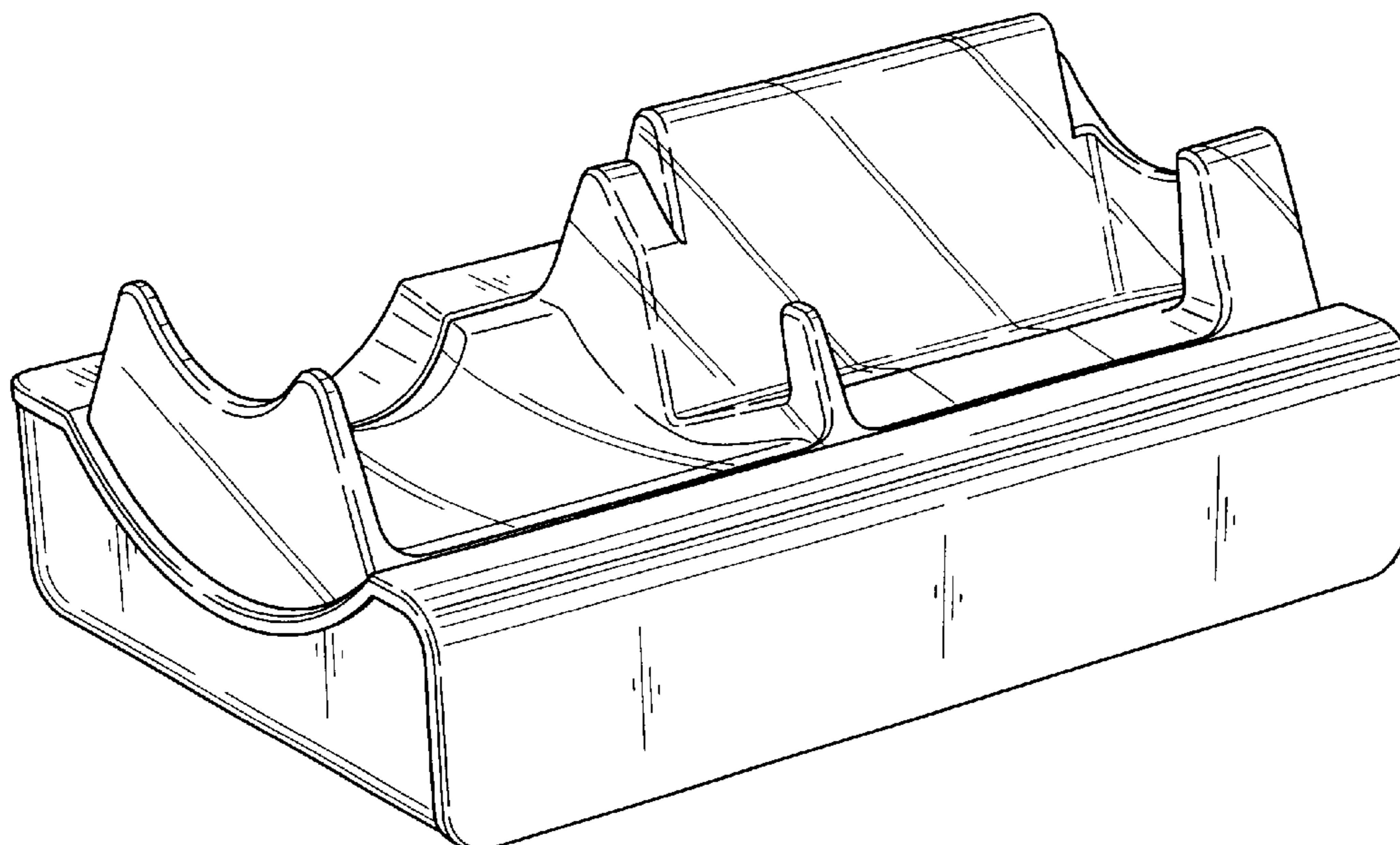
FIG. 9 is a cross sectional view thereof at 9—9 shown in FIG. 6;

FIG. 10 is a cross sectional view thereof at 10—10 shown in FIG. 6; and,

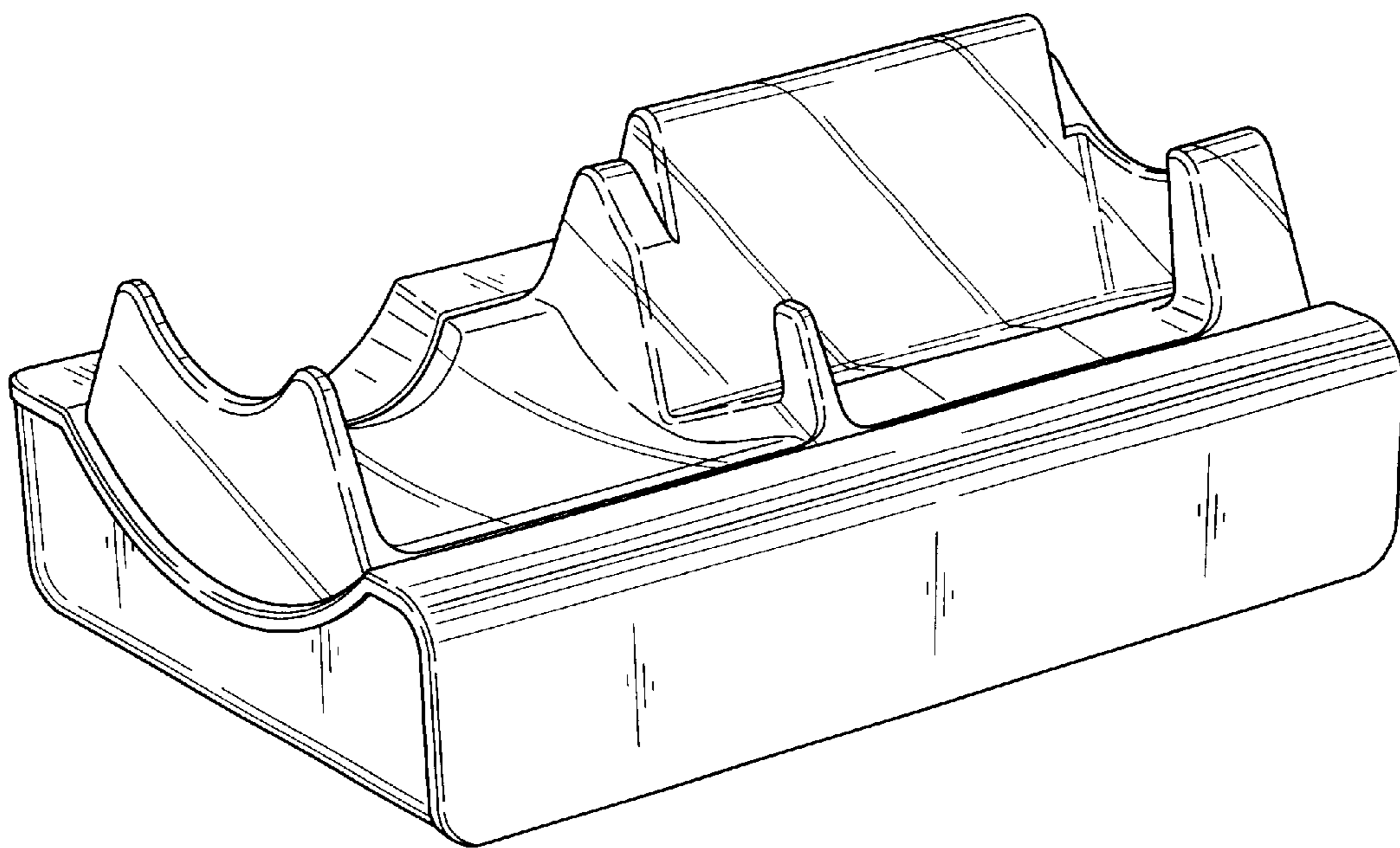
FIG. 11 is a reference view showing the usage thereof.

The elements shown in broken lines are for illustrative purposes only and form no part of the claimed design.

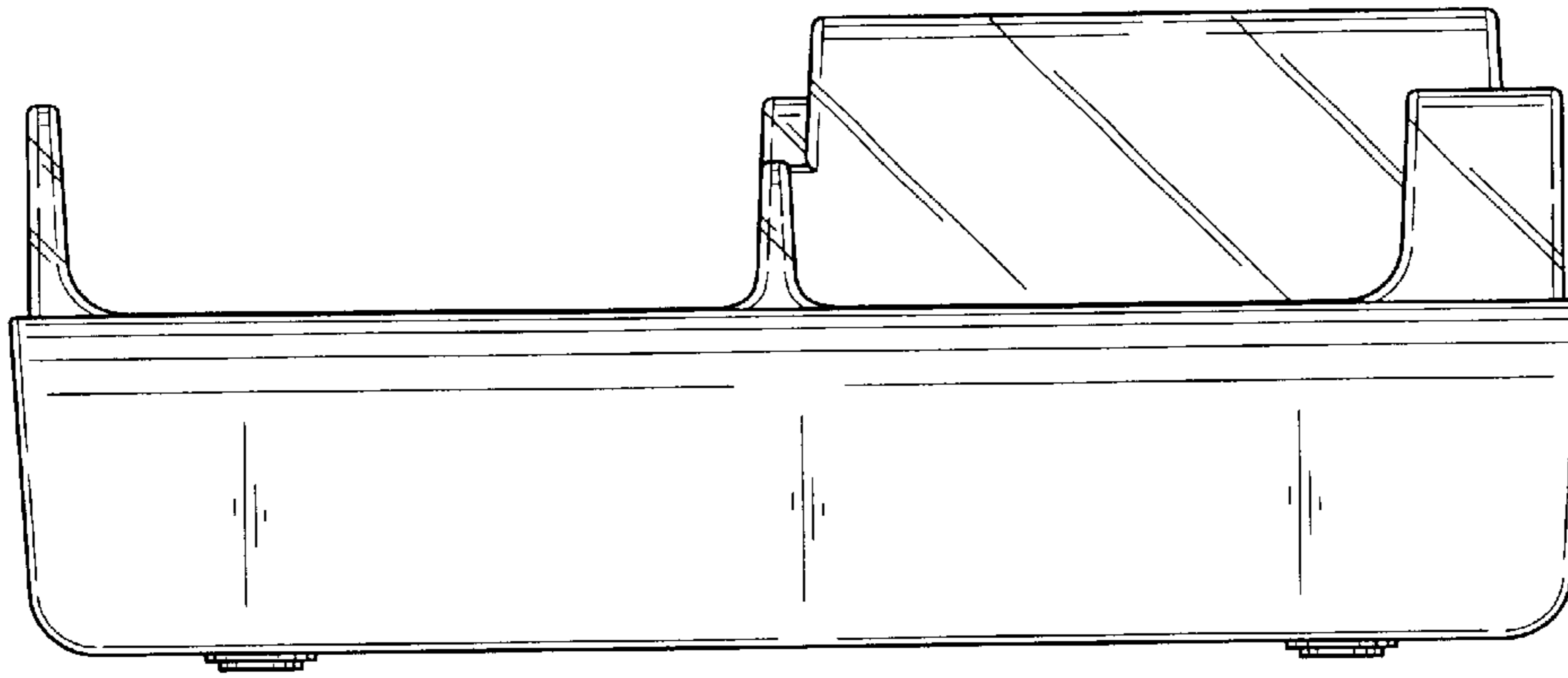
**1 Claim, 8 Drawing Sheets**



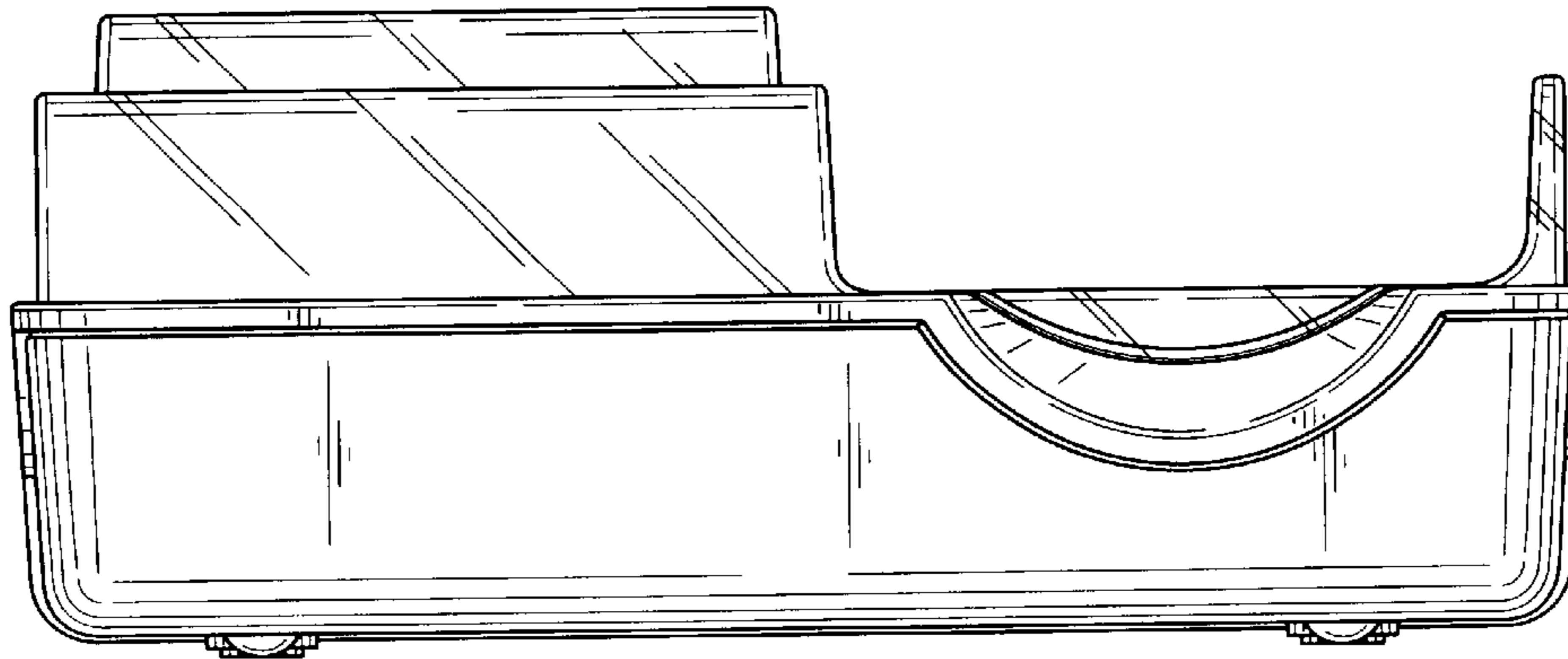
*FIG. 1*



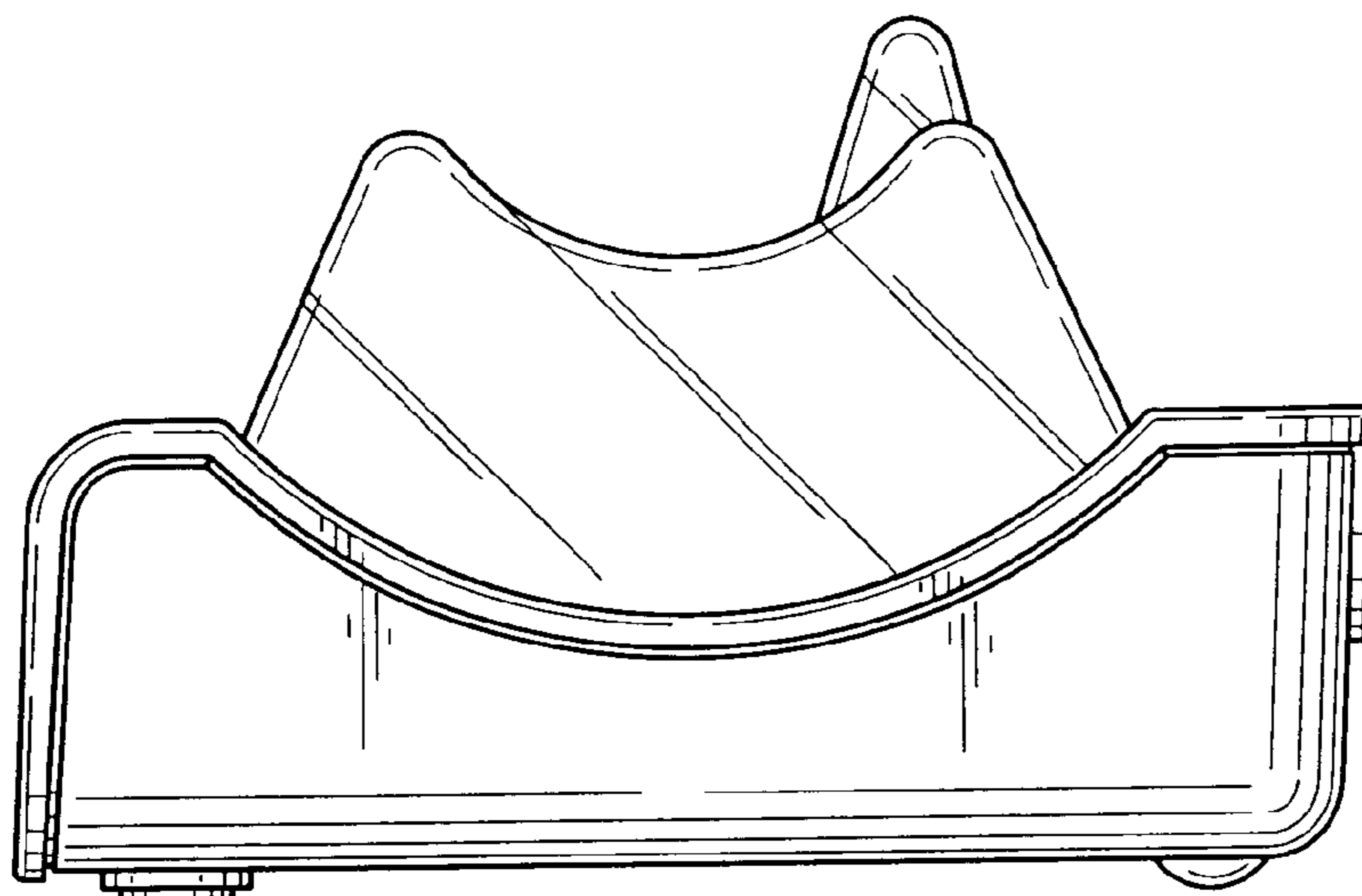
*FIG. 2*



*FIG. 3*



**FIG. 4**



**FIG. 5**

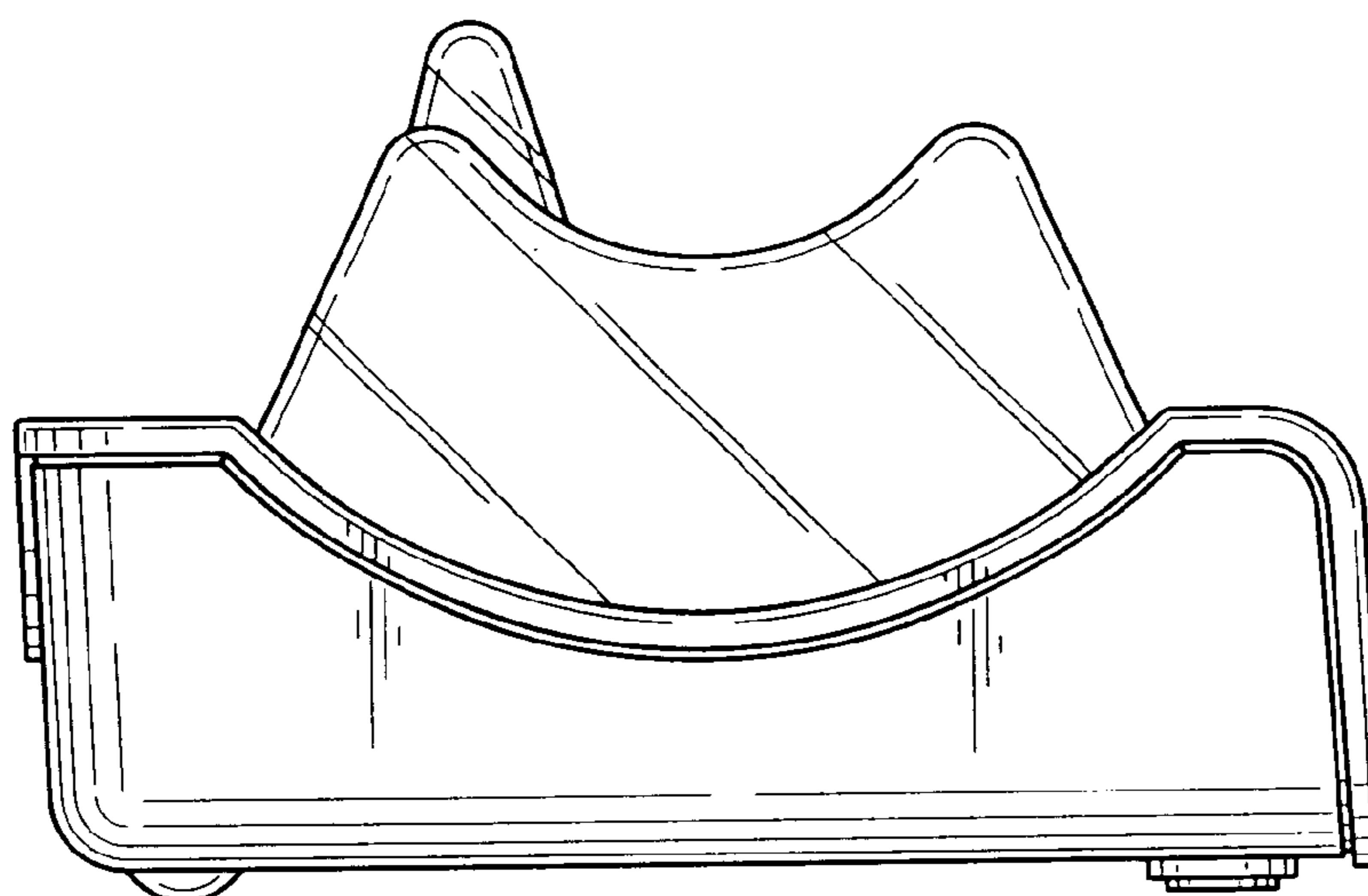
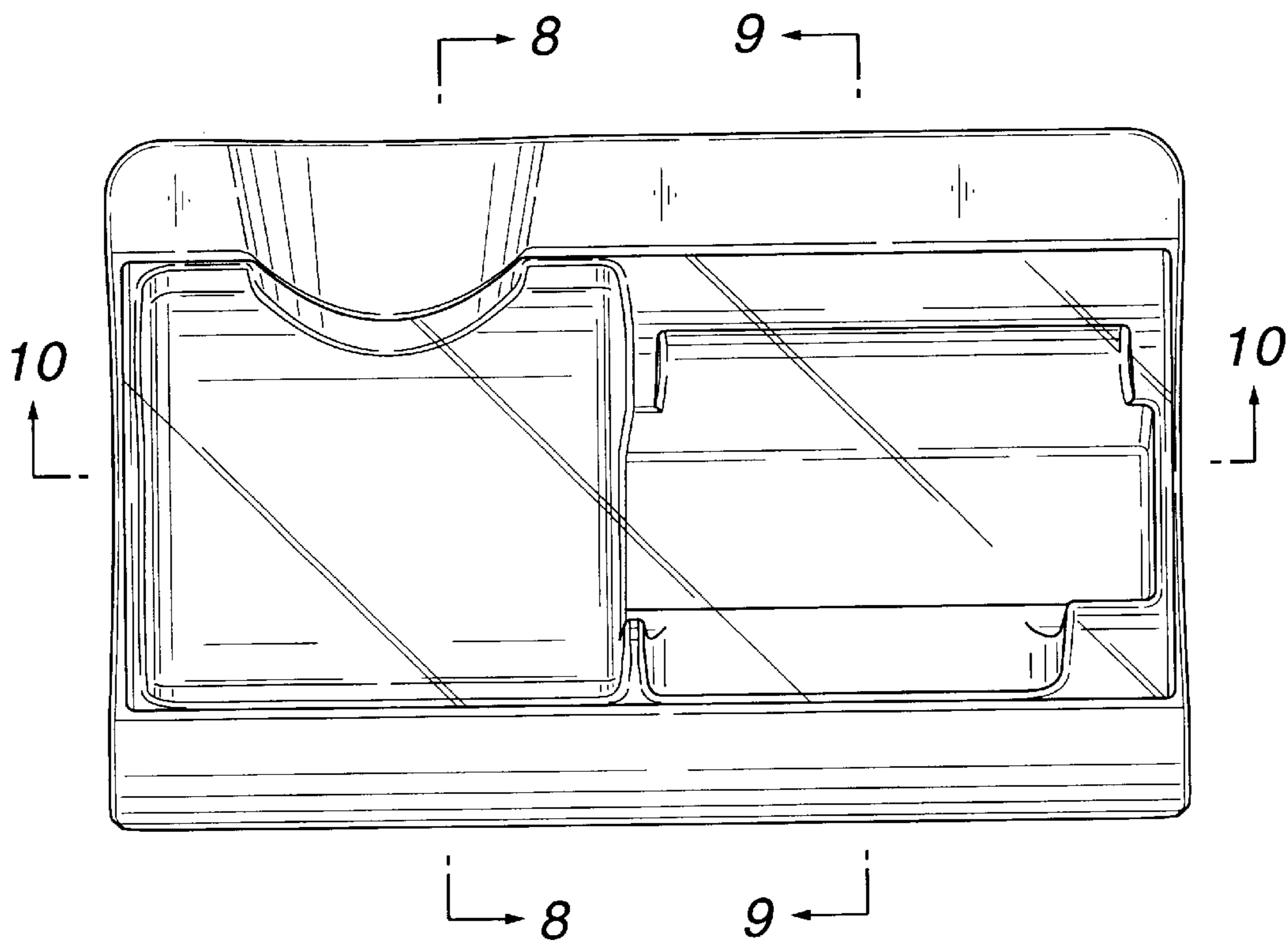
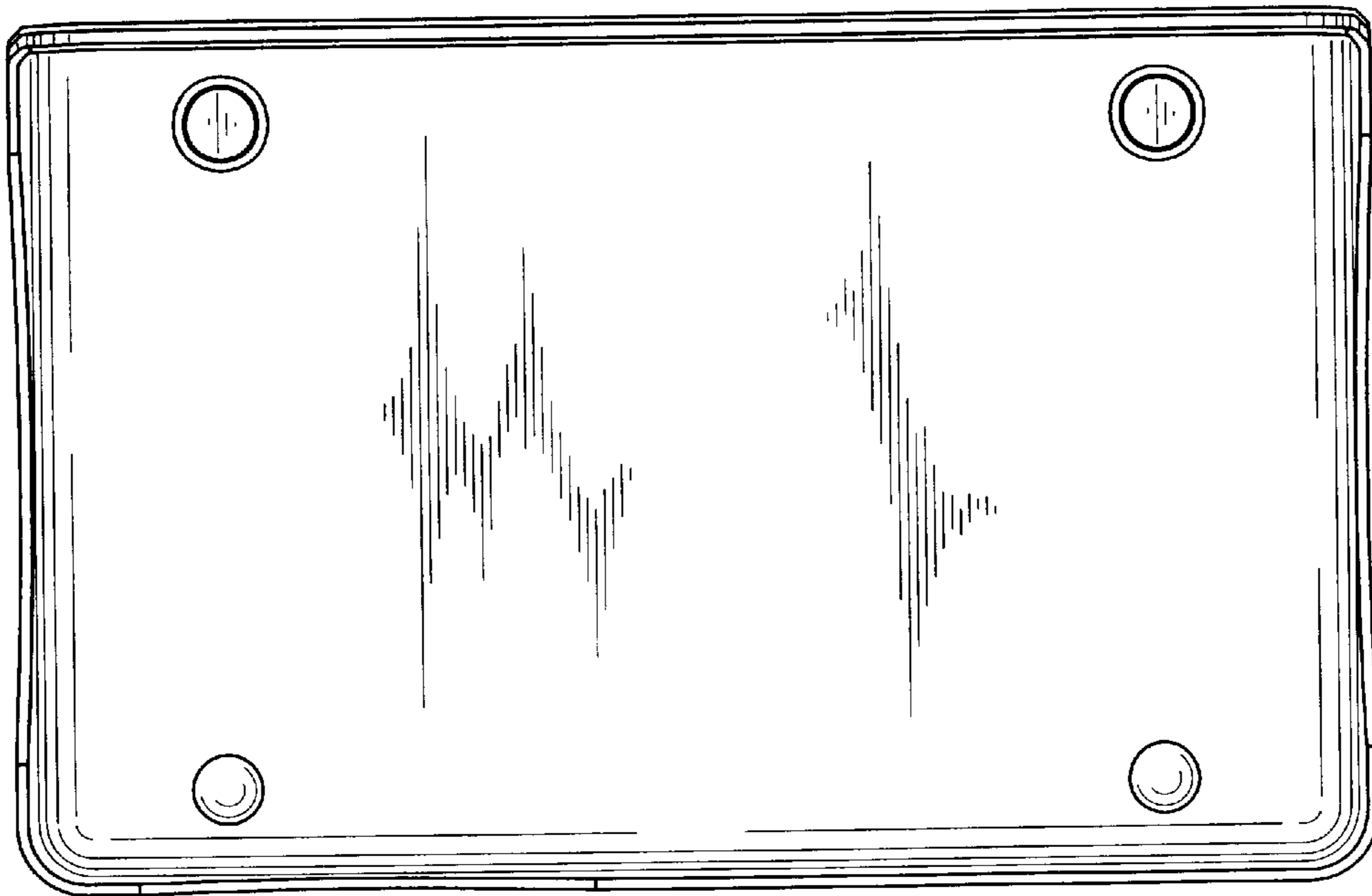


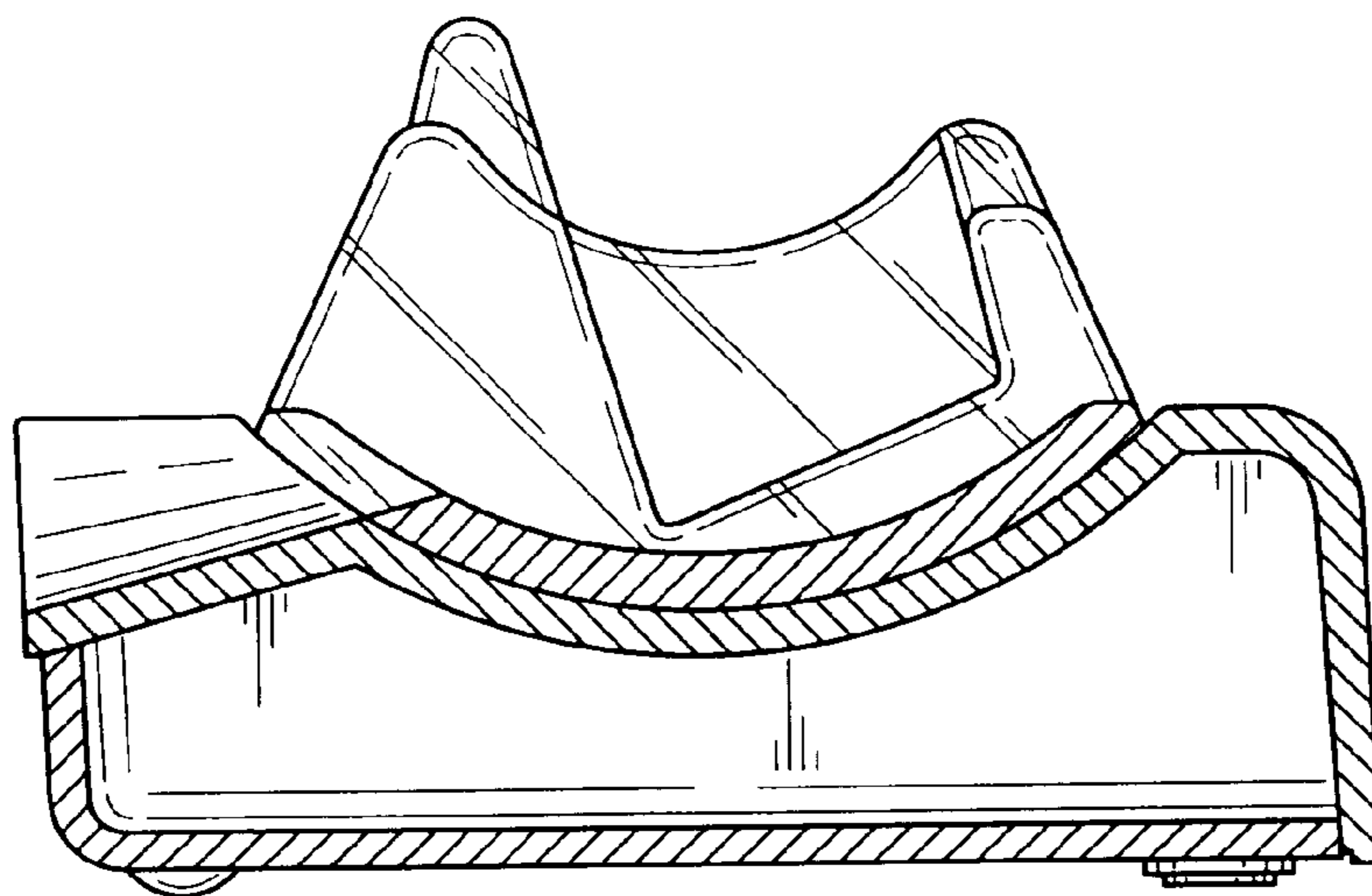
FIG. 6



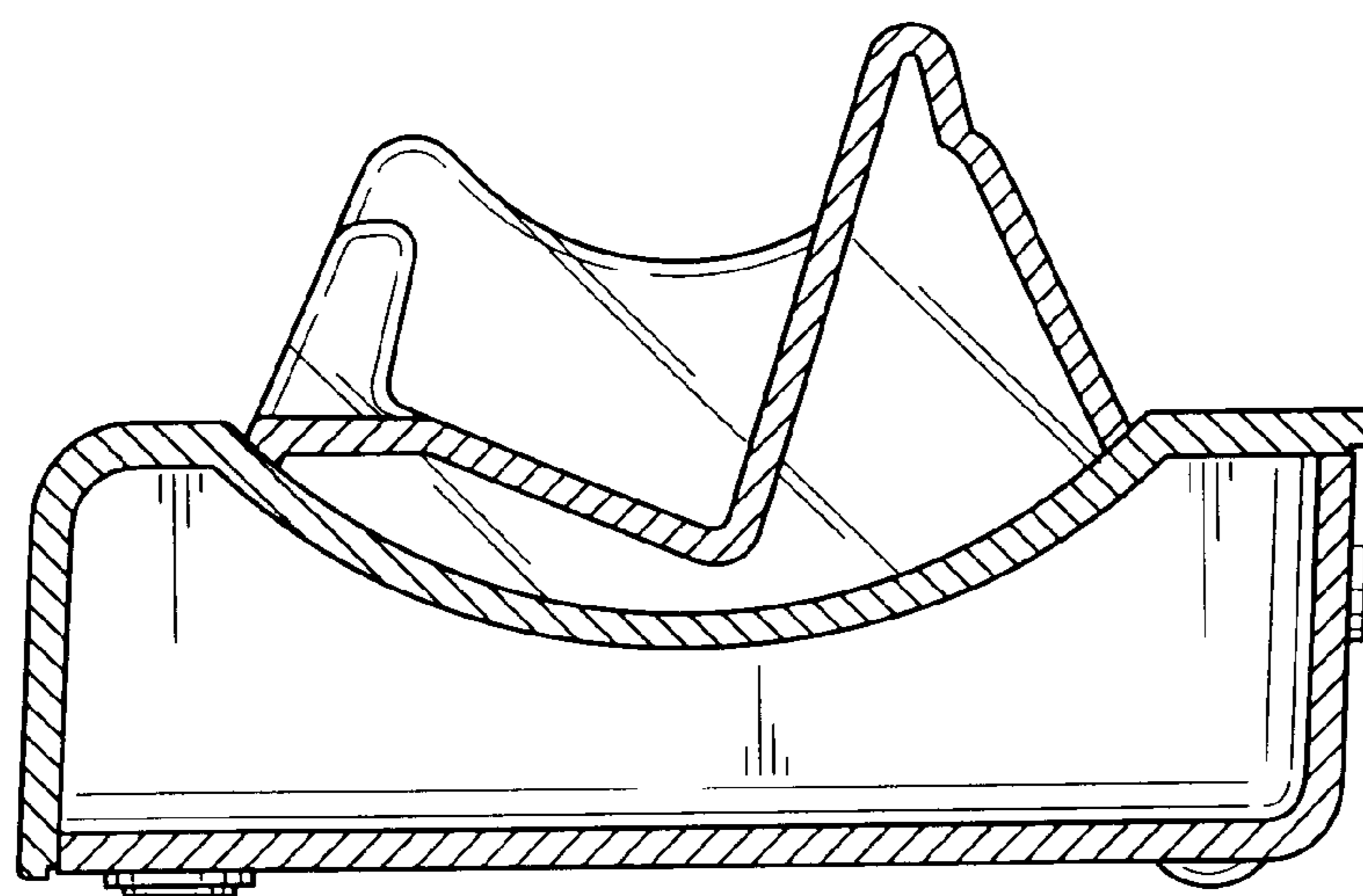
*FIG. 7*



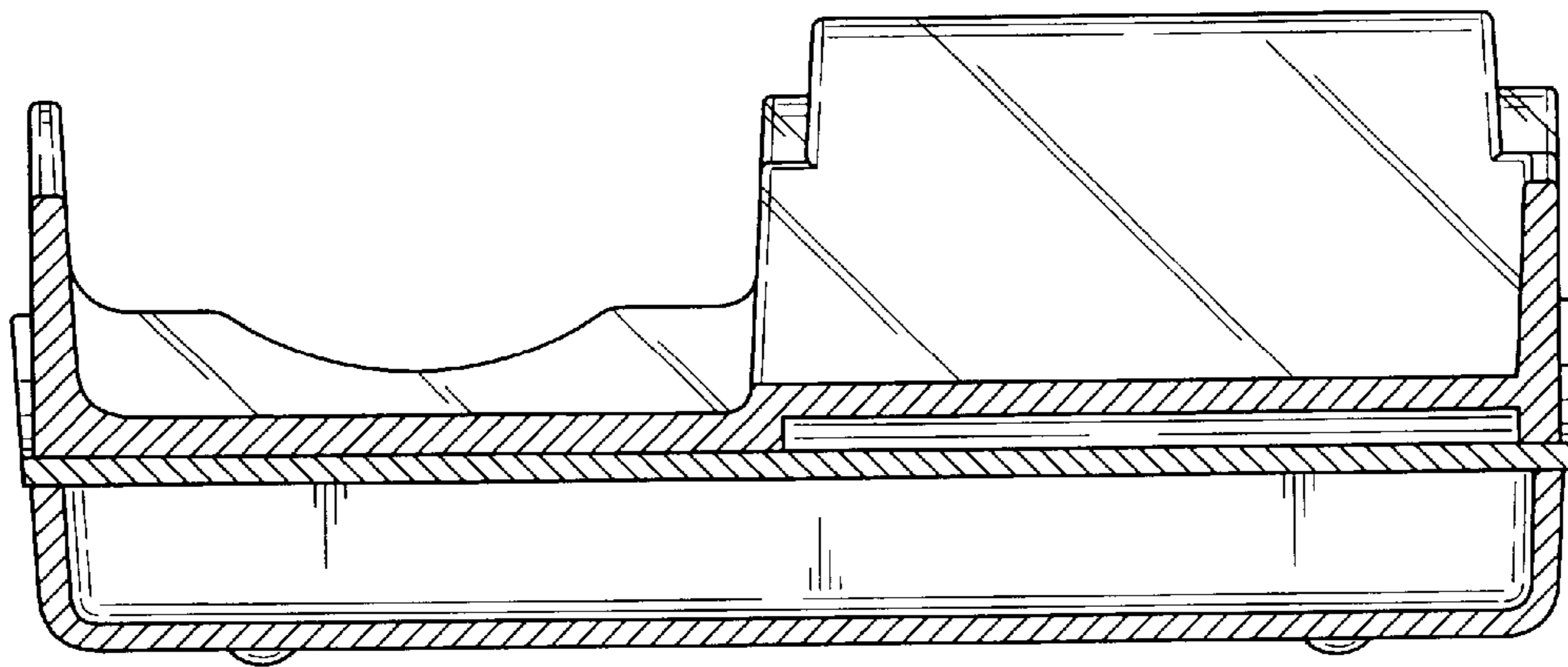
**FIG. 8**



**FIG. 9**



*FIG. 10*





*FIG. 11*

