



US00D525997S

(12) **United States Design Patent**
Hoshi

(10) **Patent No.:** **US D525,997 S**
(45) **Date of Patent:** **** Aug. 1, 2006**

(54) **GUN SCOPE**

(75) Inventor: **Tomohiro Hoshi**, Tokyo (JP)
(73) Assignee: **Nikon Corporation**, Tokyo (JP)
(**) Term: **14 Years**

(21) Appl. No.: **29/221,841**
(22) Filed: **Jan. 24, 2005**

(30) **Foreign Application Priority Data**

Nov. 10, 2004 (JP) 2004-034303
Nov. 10, 2004 (JP) 2004-034304

(51) **LOC (8) Cl.** **16-06**

(52) **U.S. Cl.** **D16/132**

(58) **Field of Classification Search** D16/130,
D16/132; D22/100, 108, 109; 359/353, 354,
359/422, 424, 122, 125, 127; 42/111, 101,
42/119, 120, 122, 140, 148, 125, 124, 123
See application file for complete search history.

(56) **References Cited**

U.S. PATENT DOCUMENTS

D96,664 S * 8/1935 Hageman D16/132
D98,686 S * 2/1936 Langsner D16/132
3,058,391 A * 10/1962 Leupold 359/422
D197,068 S * 12/1963 Maguire D16/132
D225,570 S * 12/1972 Burris D16/132
4,777,730 A * 10/1988 Huggins 42/119
D421,286 S * 2/2000 Tucker D22/109
6,508,026 B1 * 1/2003 Uppiano et al. 42/119

FOREIGN PATENT DOCUMENTS

JP 1114238 S 7/2001
JP 1114903 S 7/2001

* cited by examiner

Primary Examiner—Paula A. Greene

(74) *Attorney, Agent, or Firm*—Oliff & Berridge, PLC

(57) **CLAIM**

The ornamental design for gun scope, as shown.

DESCRIPTION

FIG. 1 is a front perspective view of gun scope showing my new design;

FIG. 2 is a front view thereof;

FIG. 3 is a rear view thereof;

FIG. 4 is a left view thereof;

FIG. 5 is a right view thereof;

FIG. 6 is a top side view thereof; and,

FIG. 7 is a bottom side view position.

FIG. 8 is a front perspective view of a second embodiment of a gun scope showing my new design;

FIG. 9 is a front view thereof;

FIG. 10 is a rear view thereof;

FIG. 11 is a left view thereof;

FIG. 12 is a right view thereof;

FIG. 13 is a top side view thereof; and,

FIG. 14 is a bottom side view position.

The broken lines shown in all views are to illustrate environment only and form no part of the claimed design.

1 Claim, 14 Drawing Sheets

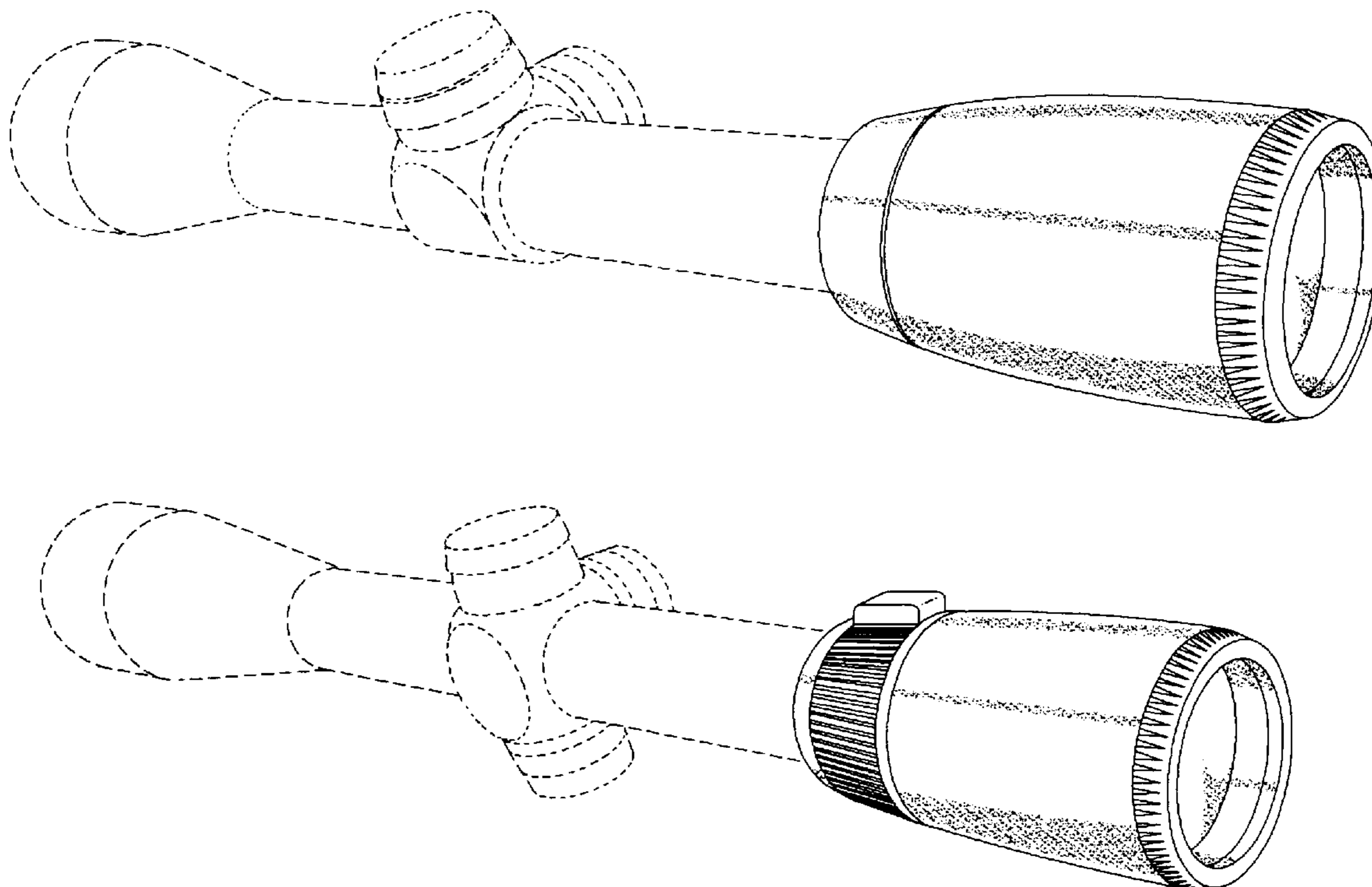


FIG. 1

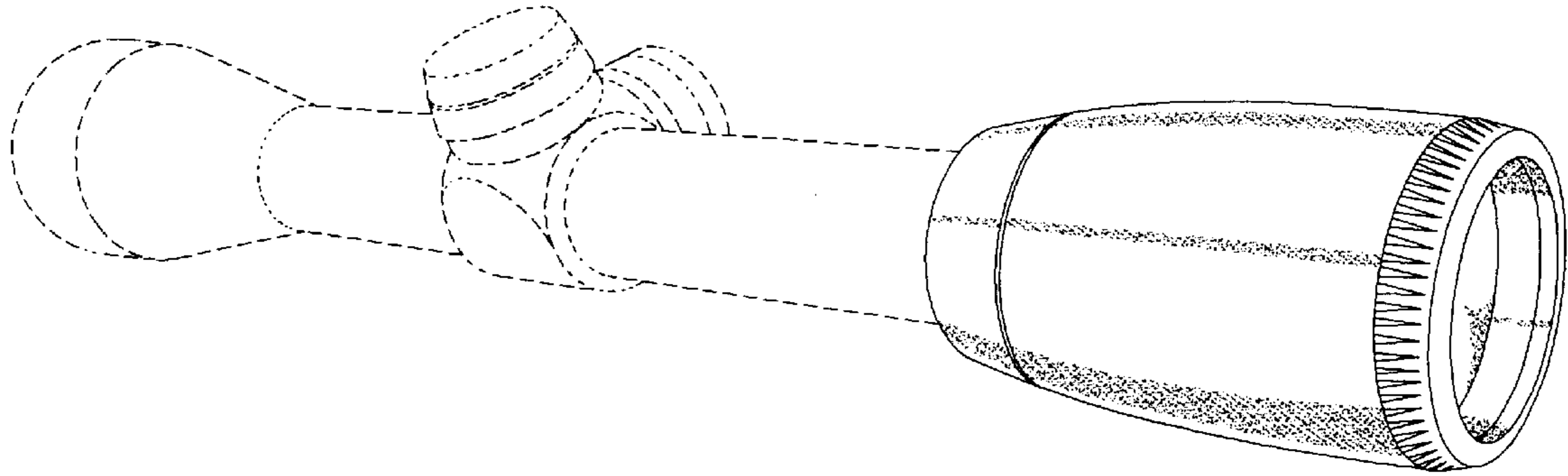


FIG. 2

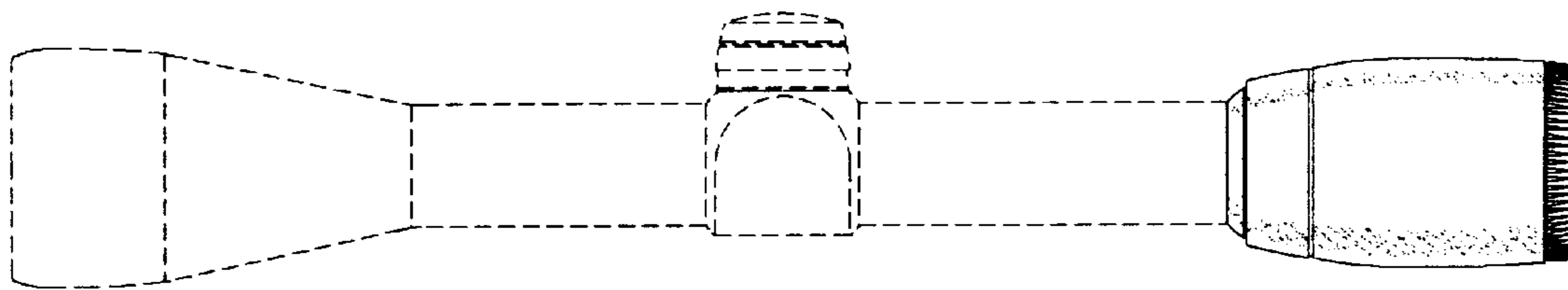


FIG. 3

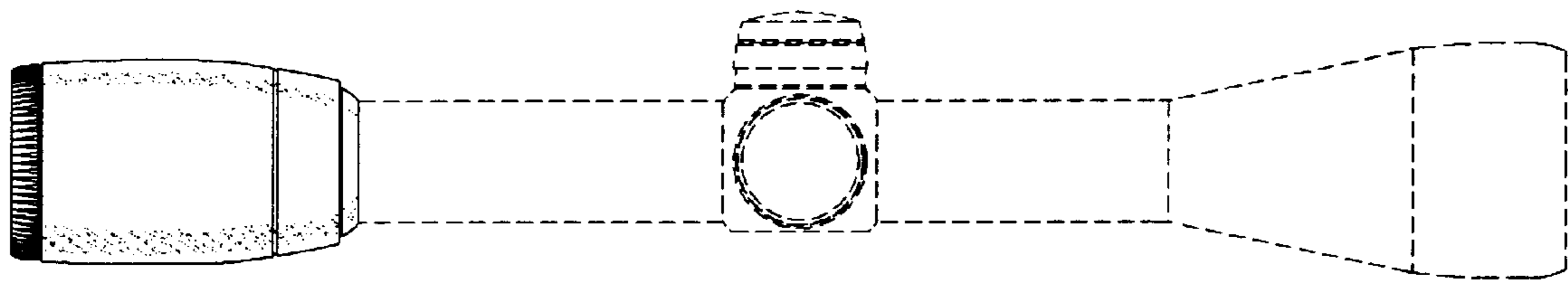


FIG. 4

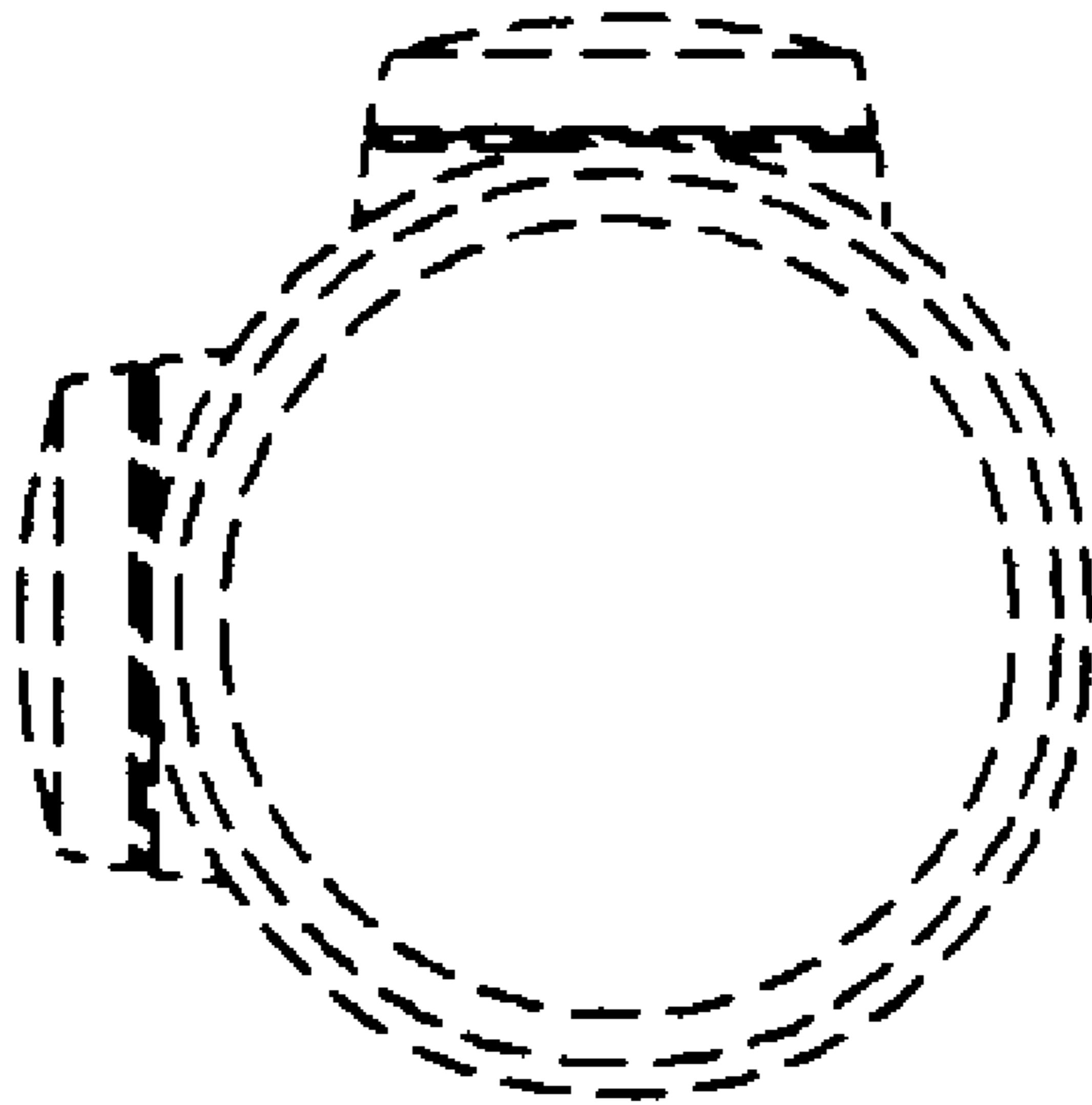


FIG. 5

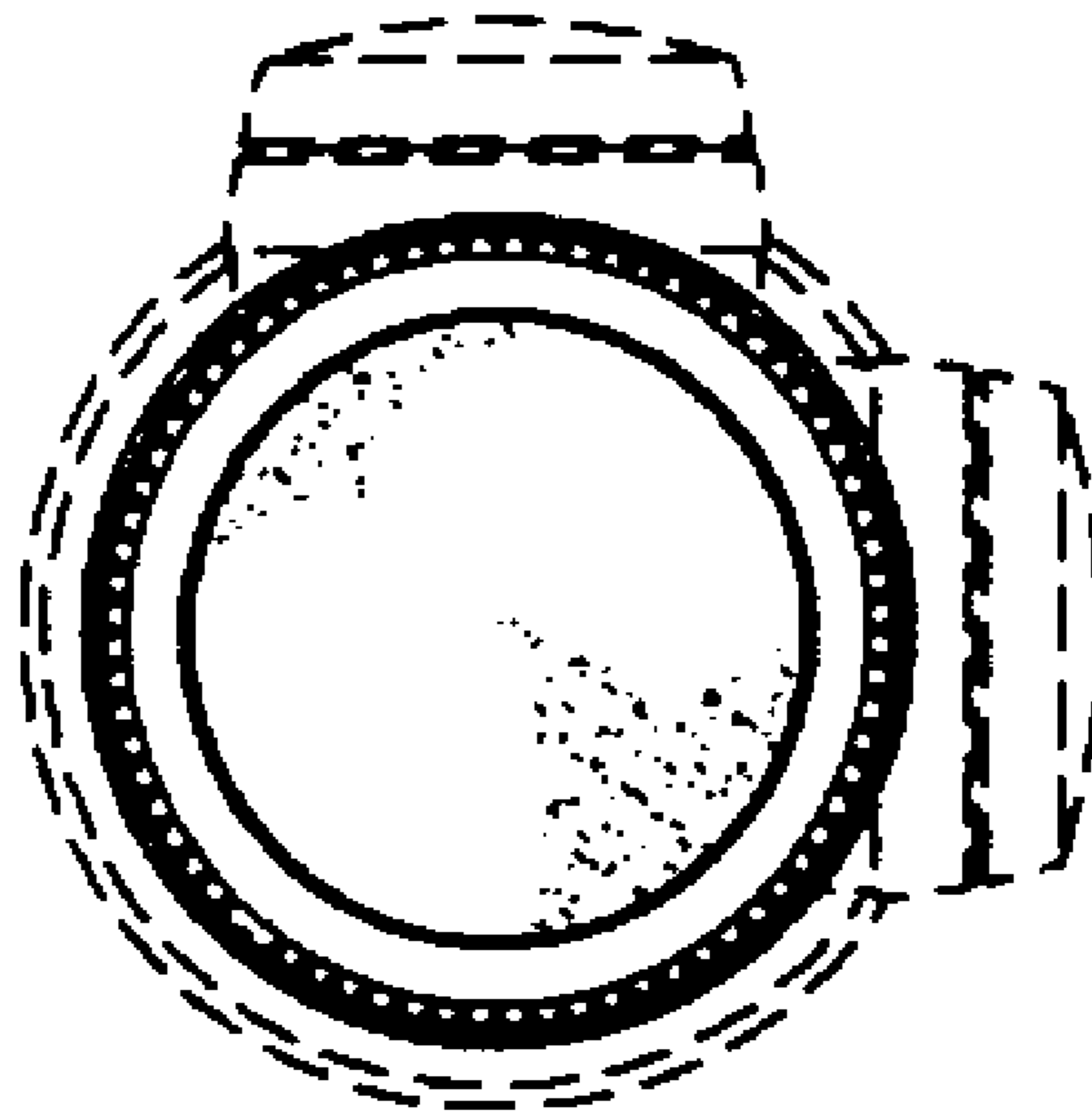


FIG.6

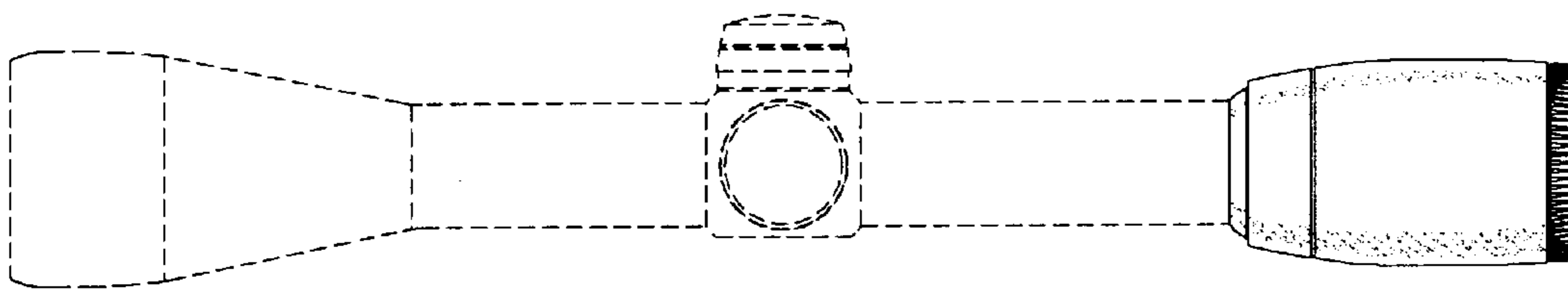


FIG. 7

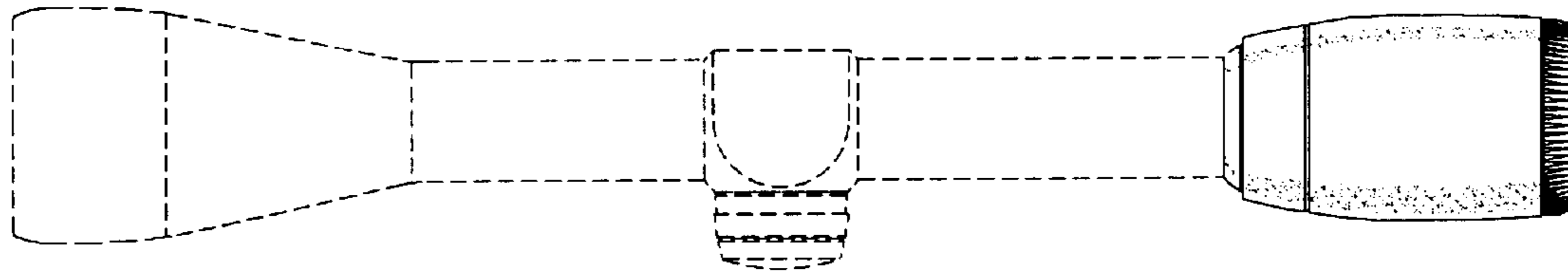


FIG.8

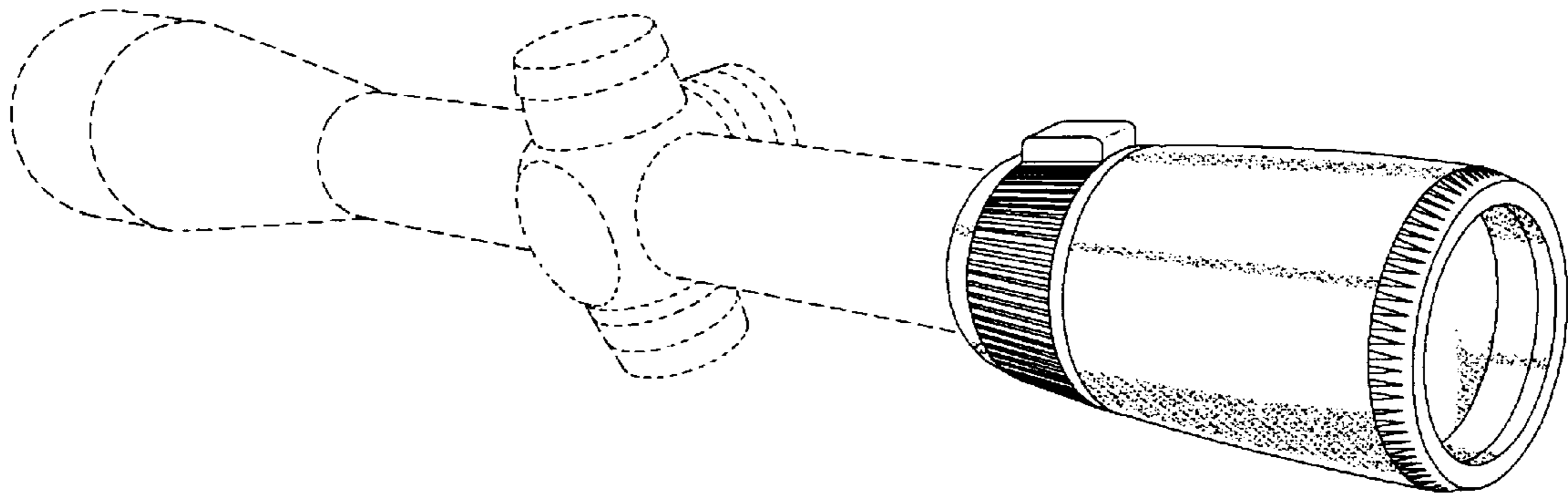


FIG.9

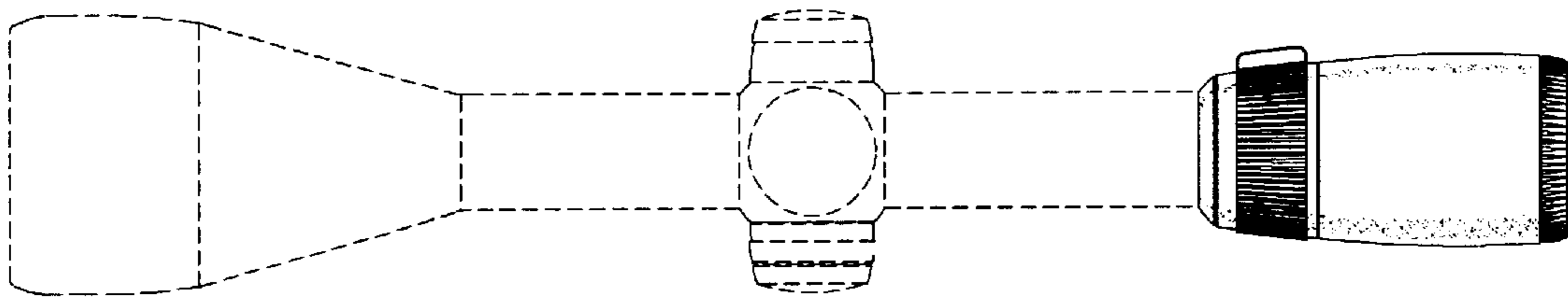


FIG. 10

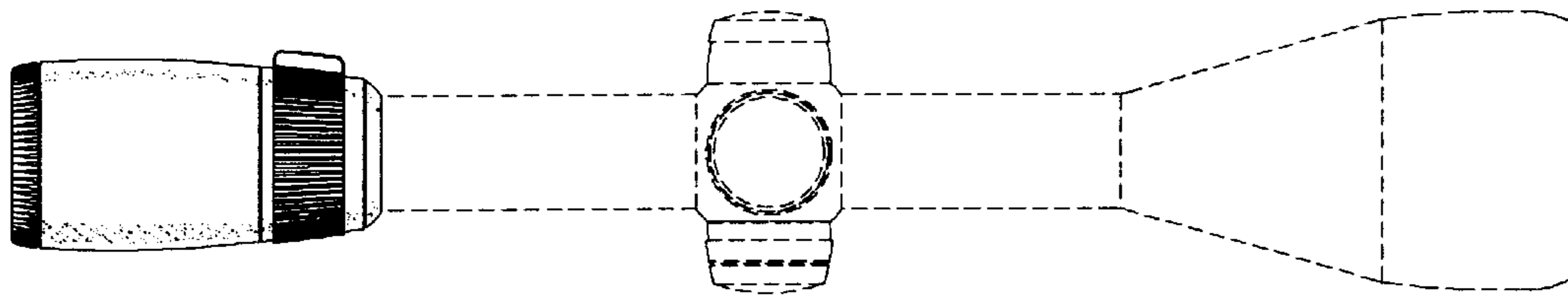


FIG. 11

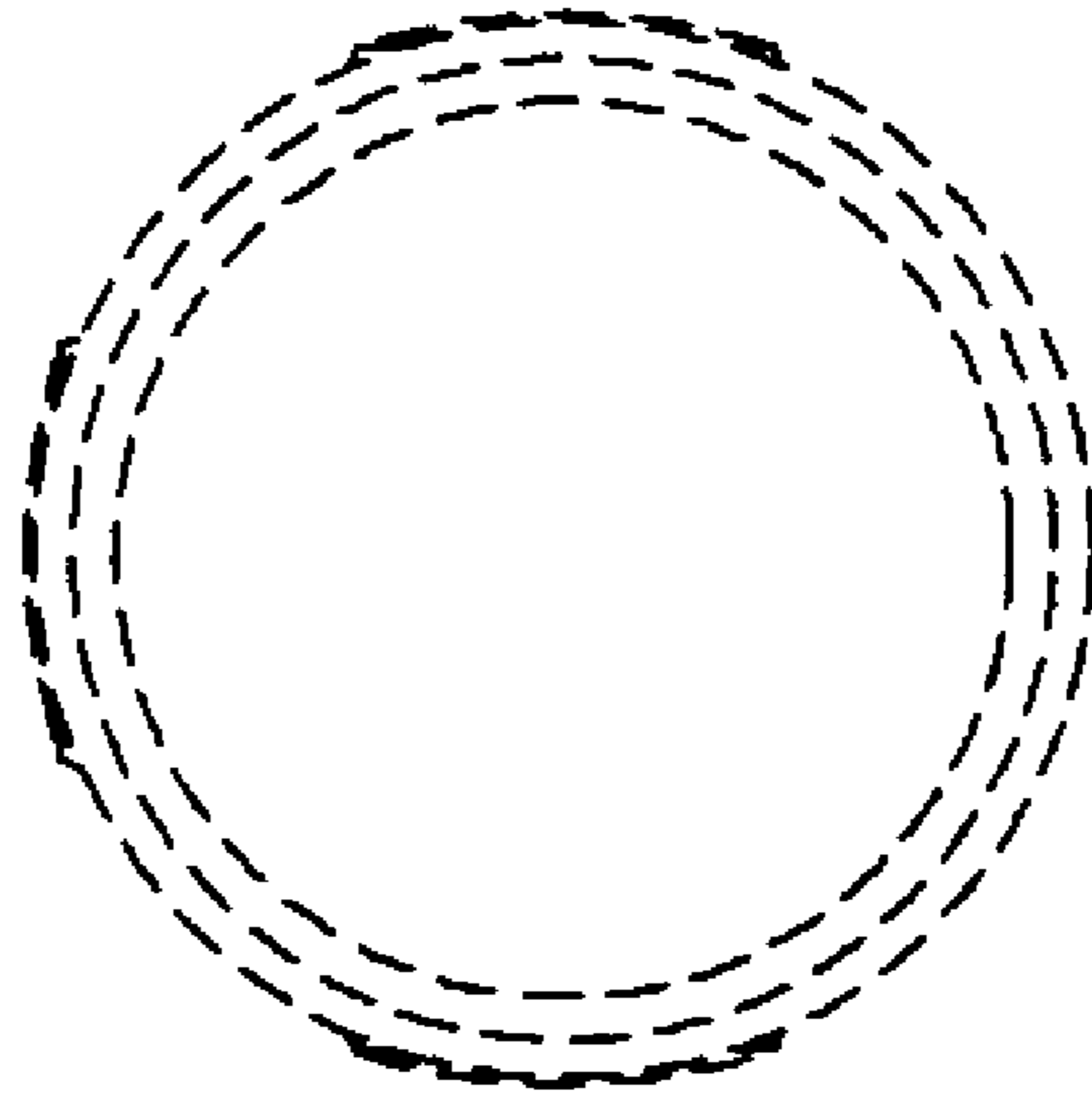


FIG. 12

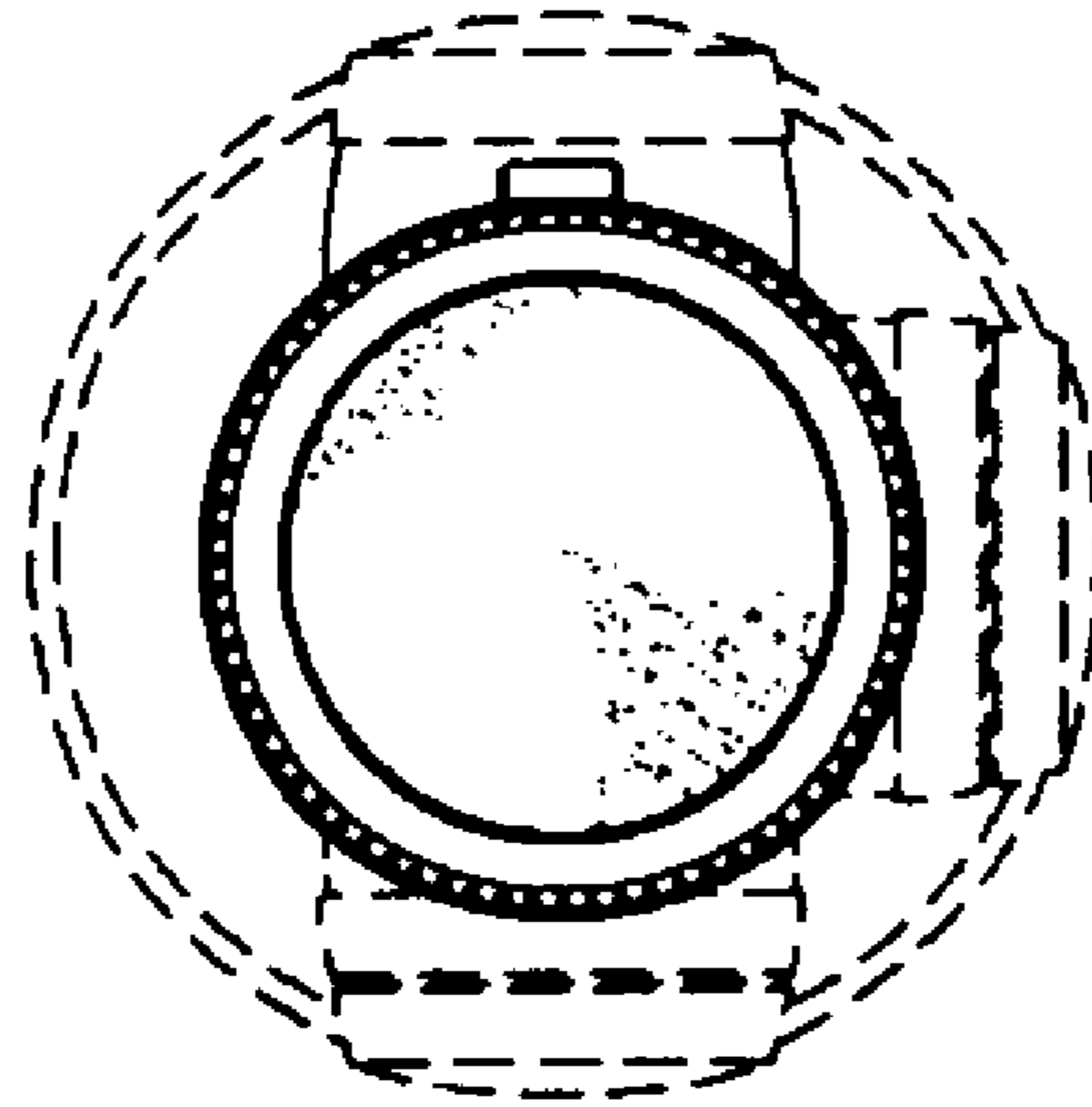


FIG. 13

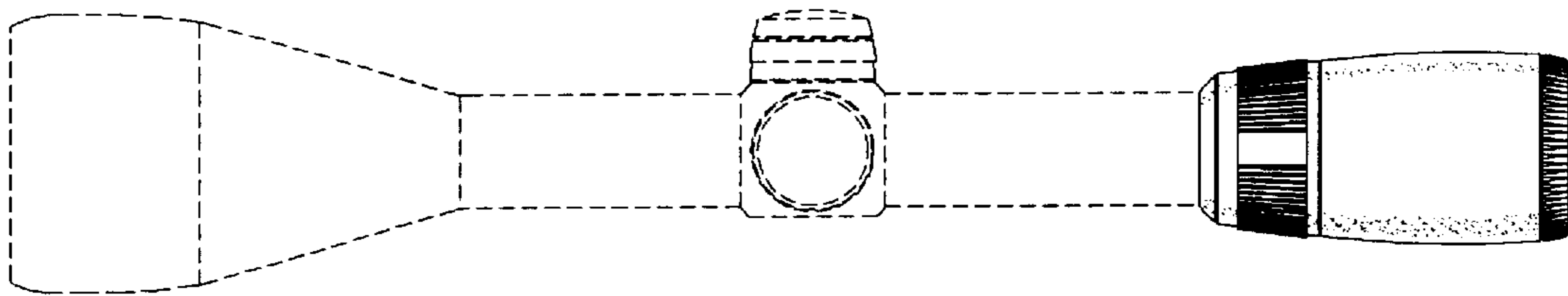


FIG.14

