



US00D525995S

(12) **United States Design Patent**  
**Bjork et al.**

(10) **Patent No.:** **US D525,995 S**

(45) **Date of Patent:** **\*\* Aug. 1, 2006**

(54) **PORTION OF A DRILL BIT**

D454,143 S \* 3/2002 Åsberg ..... D15/139  
6,494,275 B1 \* 12/2002 Åsberg et al. .... 175/401  
D504,141 S \* 4/2005 Charland et al. .... D15/139

(75) Inventors: **Fredrik Bjork**, Sandviken (SE); **Bertil Ederyd**, Gavle (SE); **Kenneth Larsson**, Sandviken (SE)

\* cited by examiner

(73) Assignee: **Sandvik Intellectual Property AB**, Sandviken (SE)

*Primary Examiner*—Antoine D. Davis

*Assistant Examiner*—Patricia Palasik

(\*\*) Term: **14 Years**

(74) *Attorney, Agent, or Firm*—Drinker Biddle & Reath LLP

(21) Appl. No.: **29/212,831**

(57) **CLAIM**

(22) Filed: **Sep. 9, 2004**

The ornamental design for a portion of a drill bit, as shown and described.

(30) **Foreign Application Priority Data**

**DESCRIPTION**

Mar. 9, 2004 (SE) ..... 04-0207

FIG. 1 is a rear perspective view of a portion of a drill bit showing our new design.

(51) **LOC (8) Cl.** ..... **15-09**

FIG. 2 is a right side elevational view thereof.

(52) **U.S. Cl.** ..... **D15/139**

FIG. 3 is a top elevation view thereof

(58) **Field of Classification Search** ..... D15/139;

FIG. 4 is a left side elevational view thereof.

175/57, 257–259, 266, 292, 296, 300, 385,

FIG. 5 is a bottom elevational view thereof.

175/413–415, 273, 401

FIG. 6 is a rear view thereof; and,

See application file for complete search history.

FIG. 7 is a front view thereof.

(56) **References Cited**

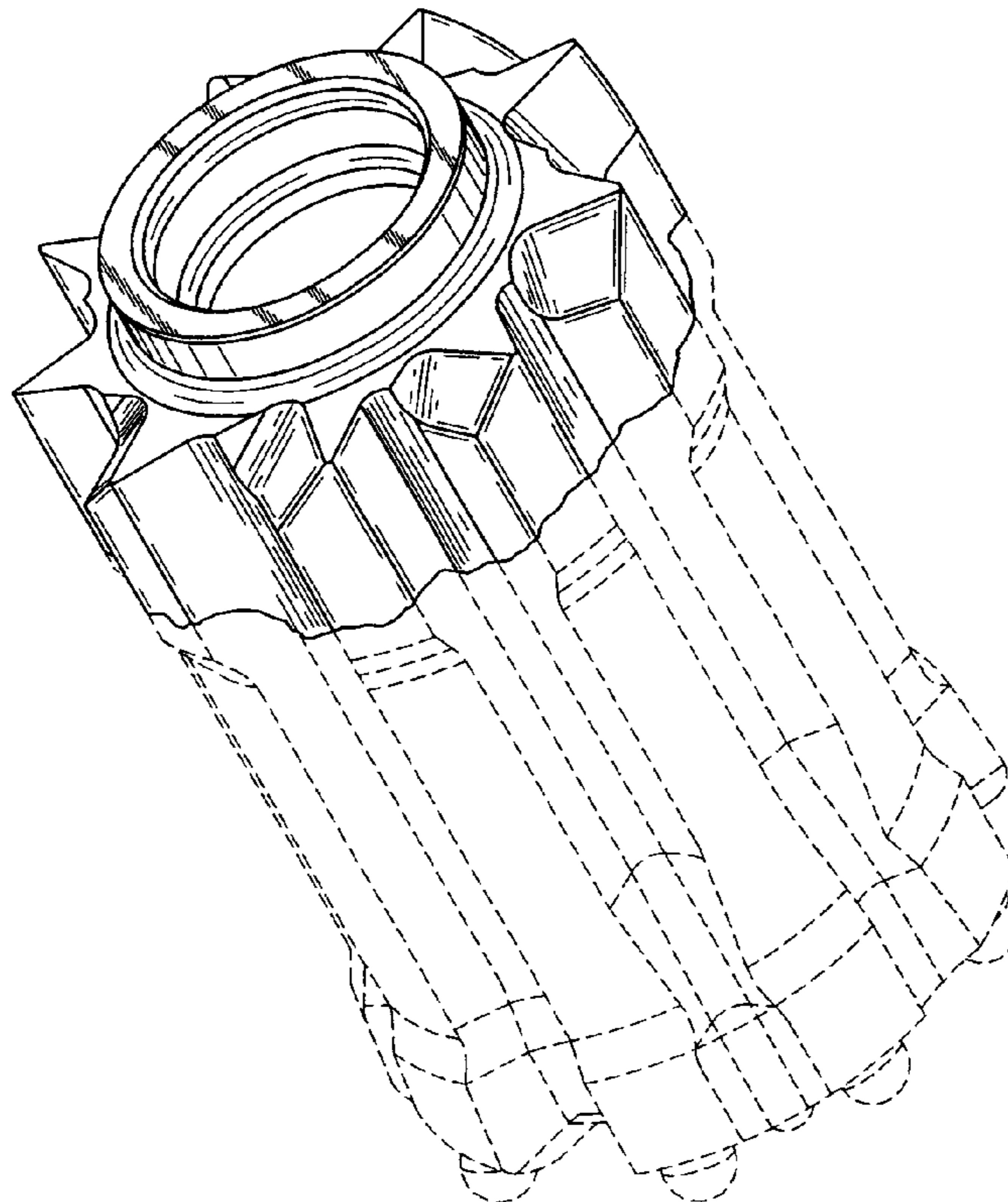
The break line used to delineate the claimed design and the broken line showing of a portion of the body and the front of the drill bit are for illustrative purposes only and forms no part of the claimed design.

**U.S. PATENT DOCUMENTS**

3,322,216 A \* 5/1967 Kurt ..... 175/293

5,743,345 A \* 4/1998 Hollar et al. .... 175/401

**1 Claim, 3 Drawing Sheets**



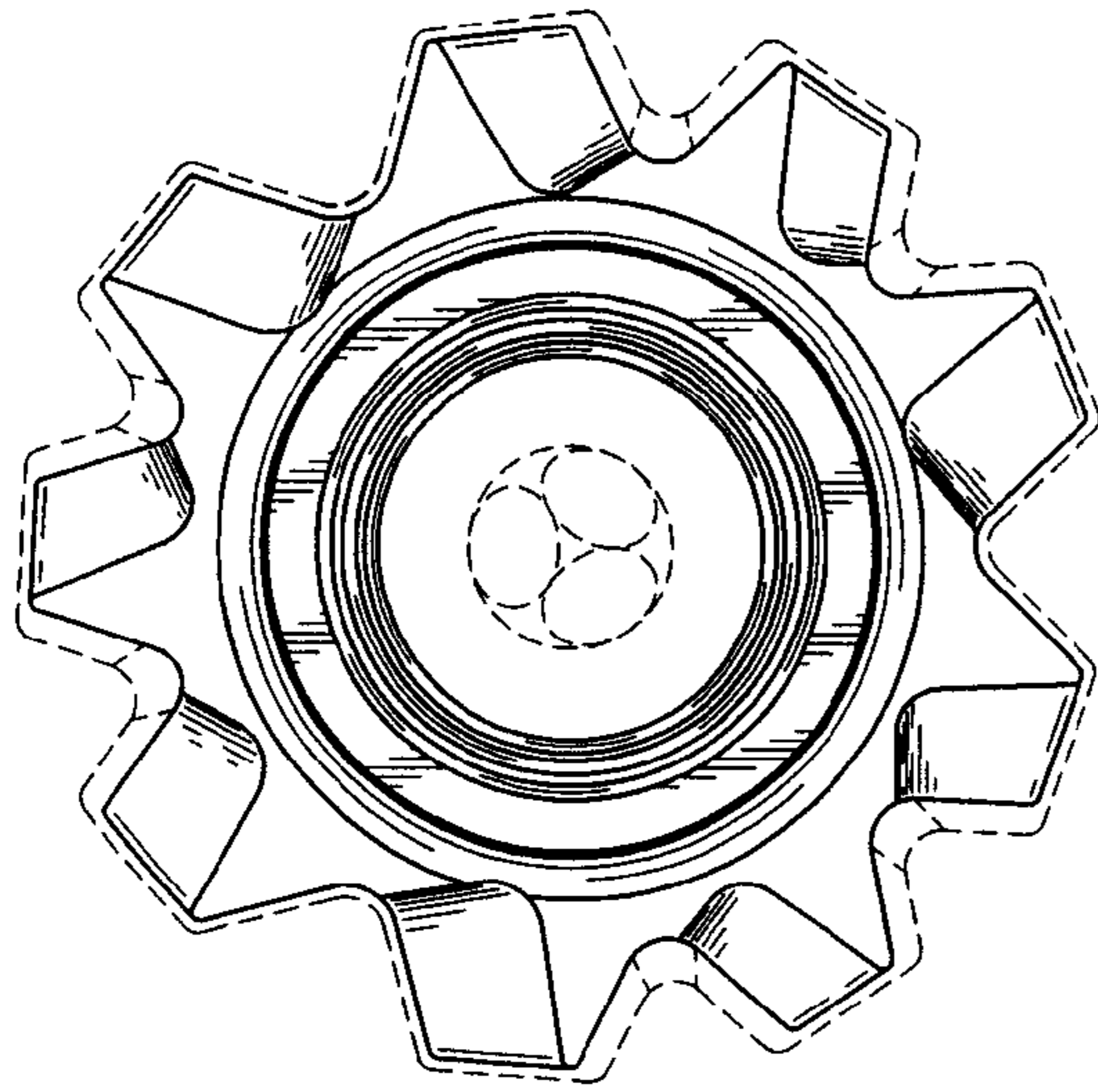


Fig. 6

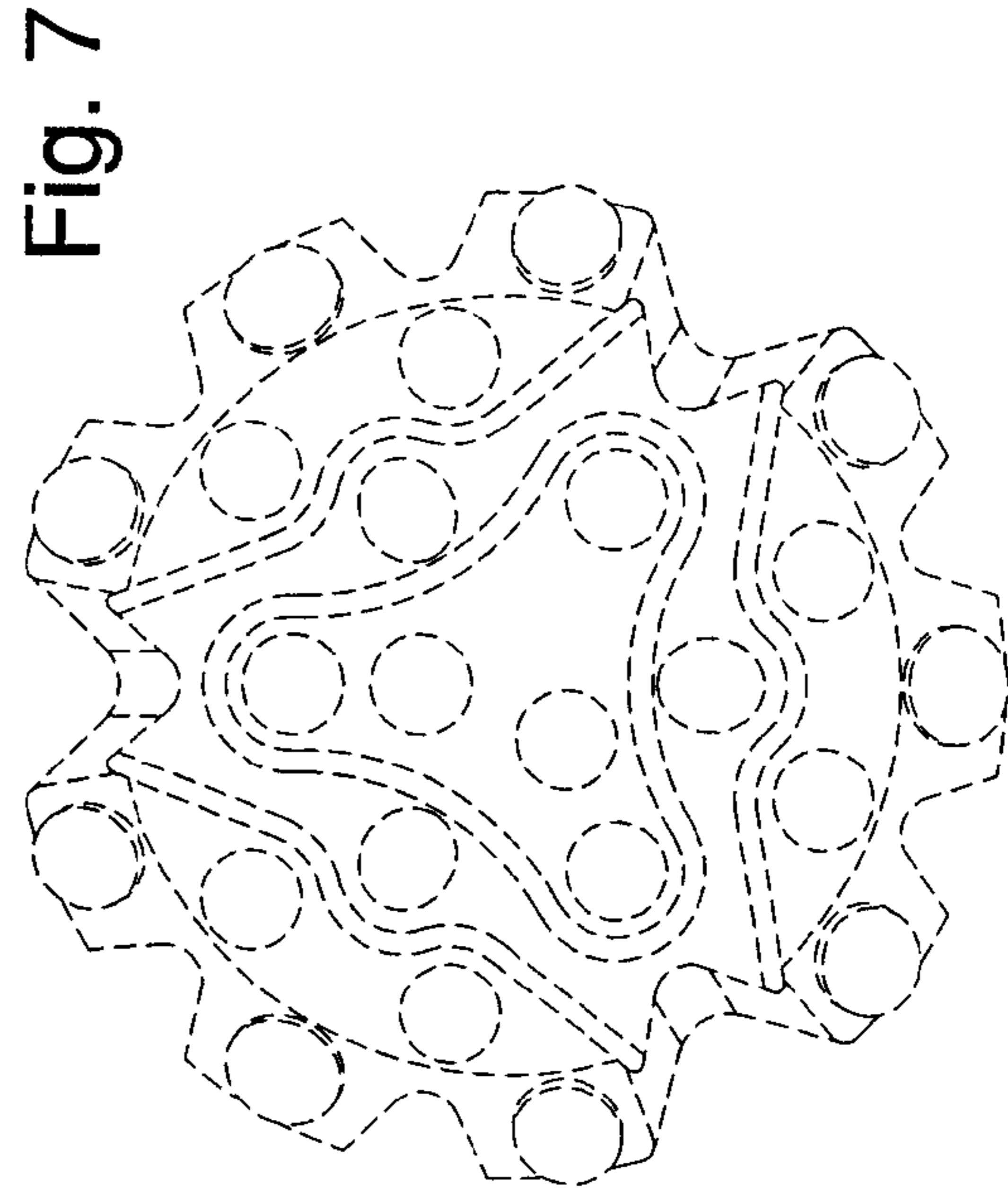


Fig. 7

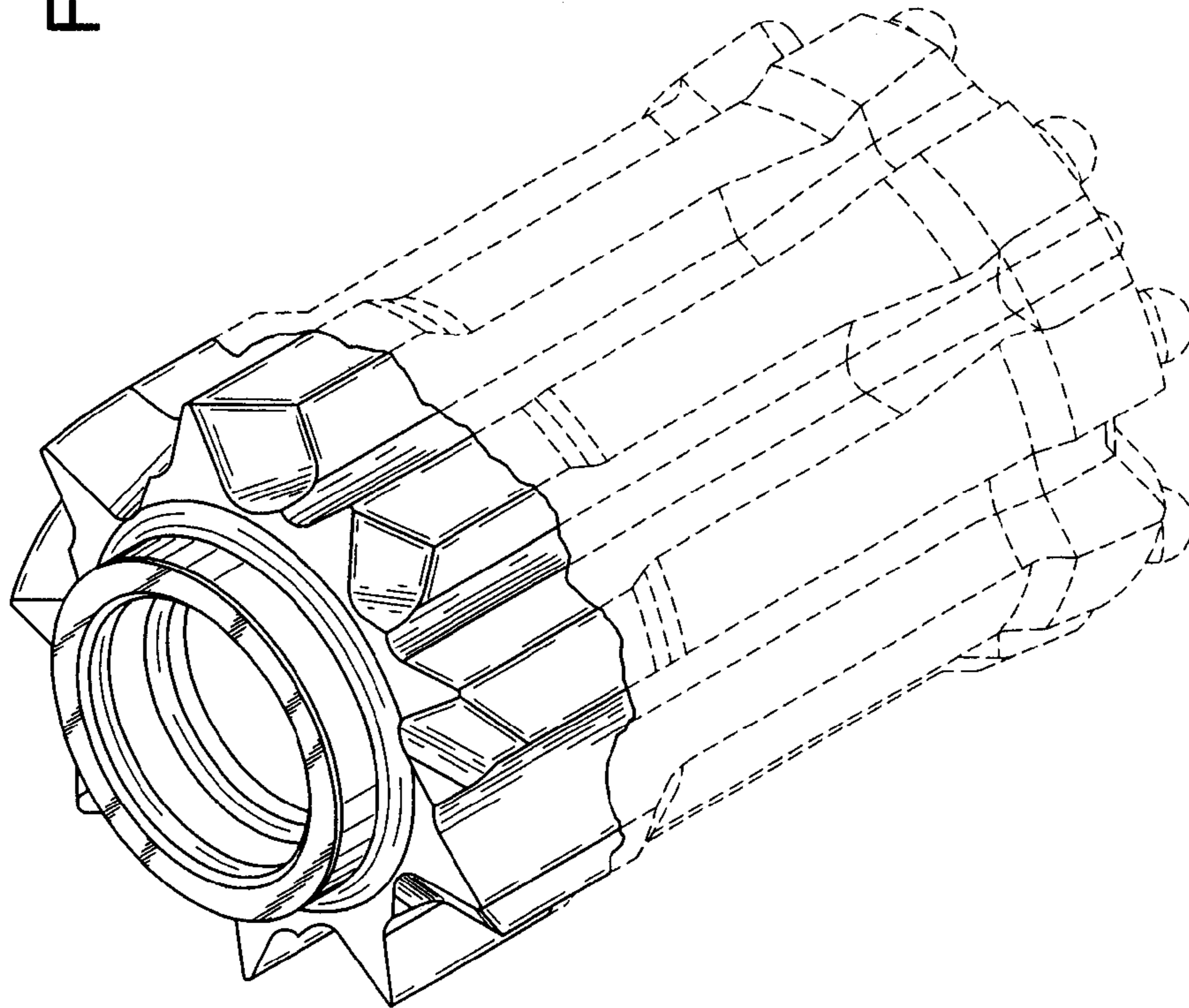


Fig. 1

Fig. 4

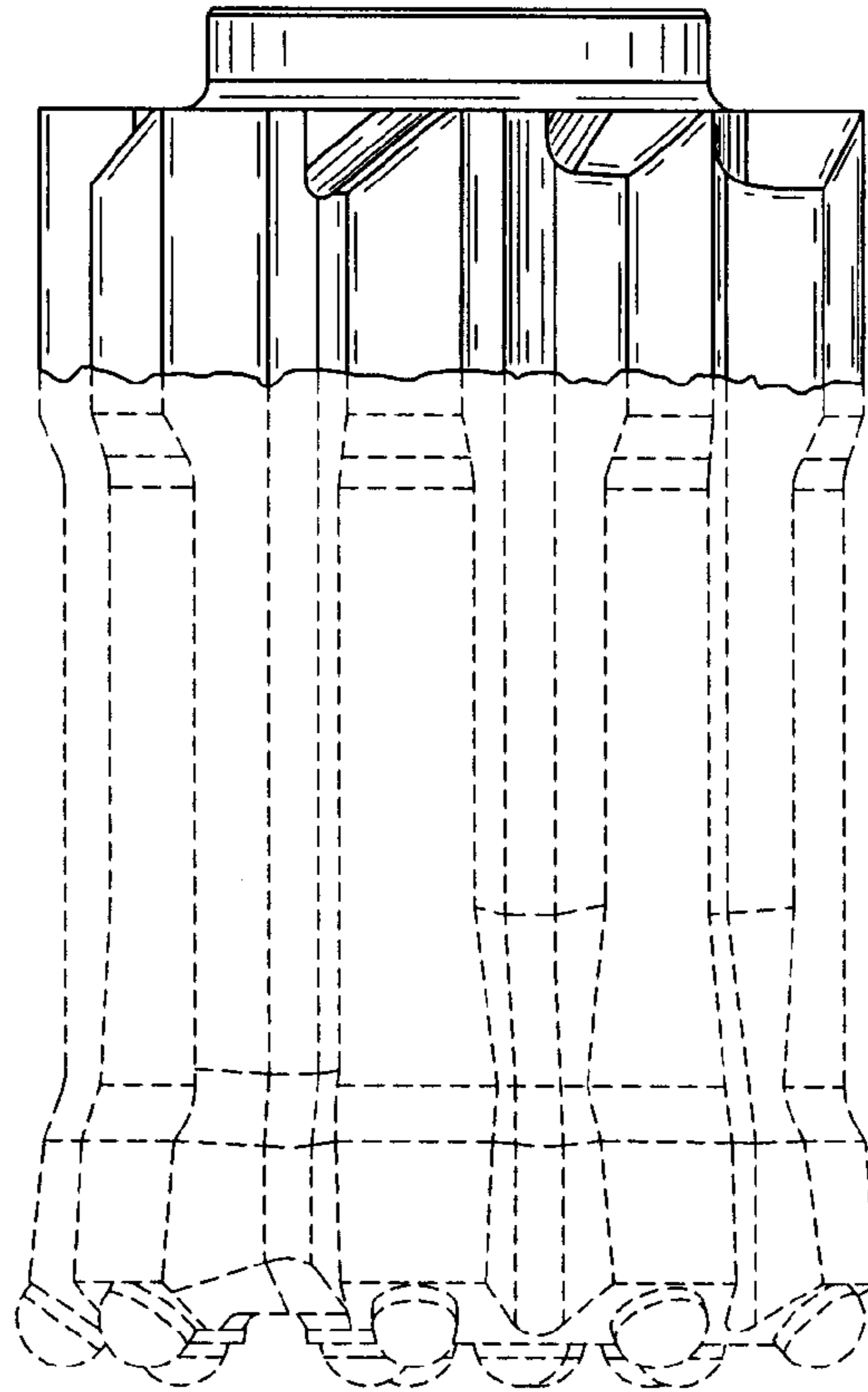


Fig. 2

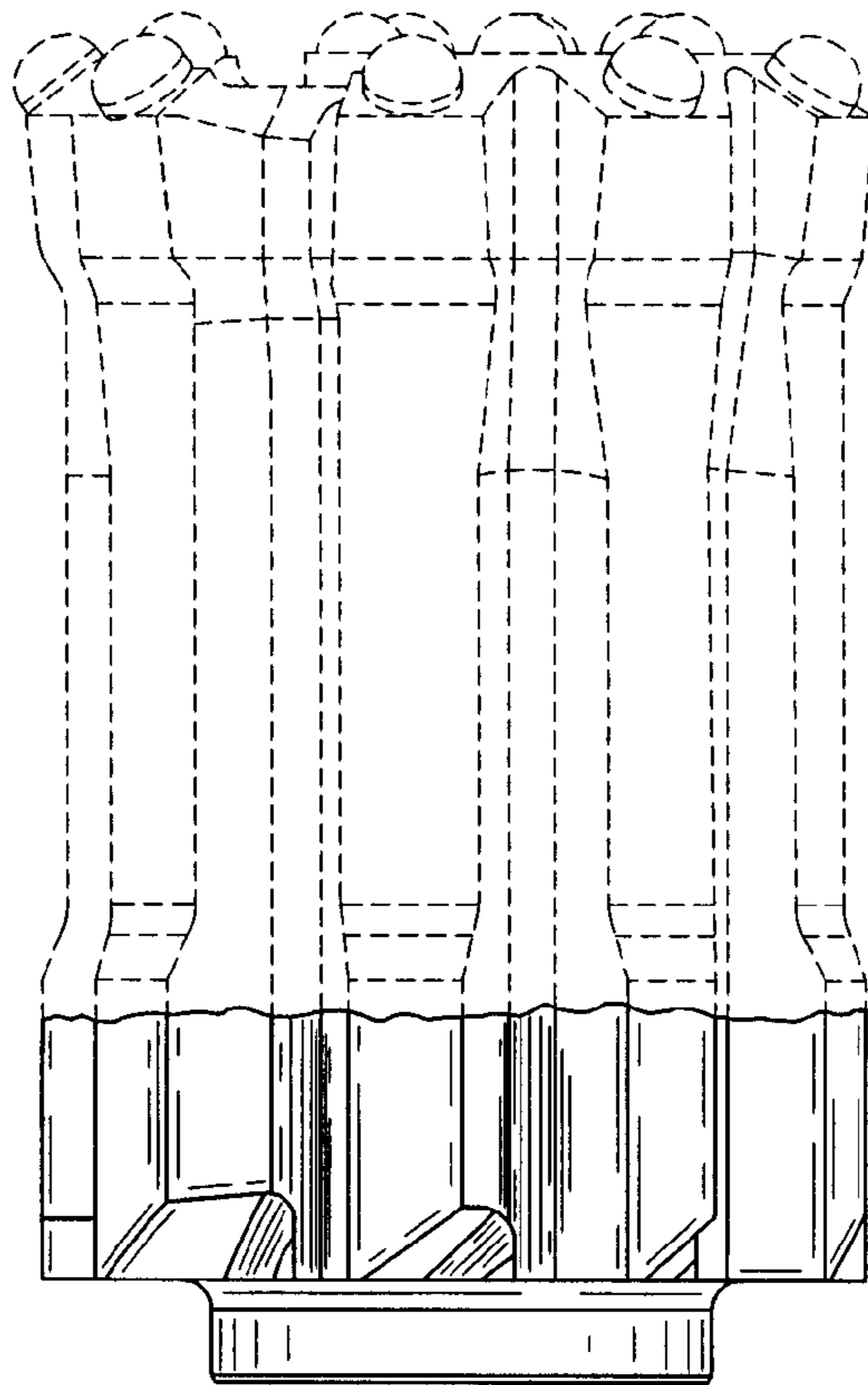




Fig. 3

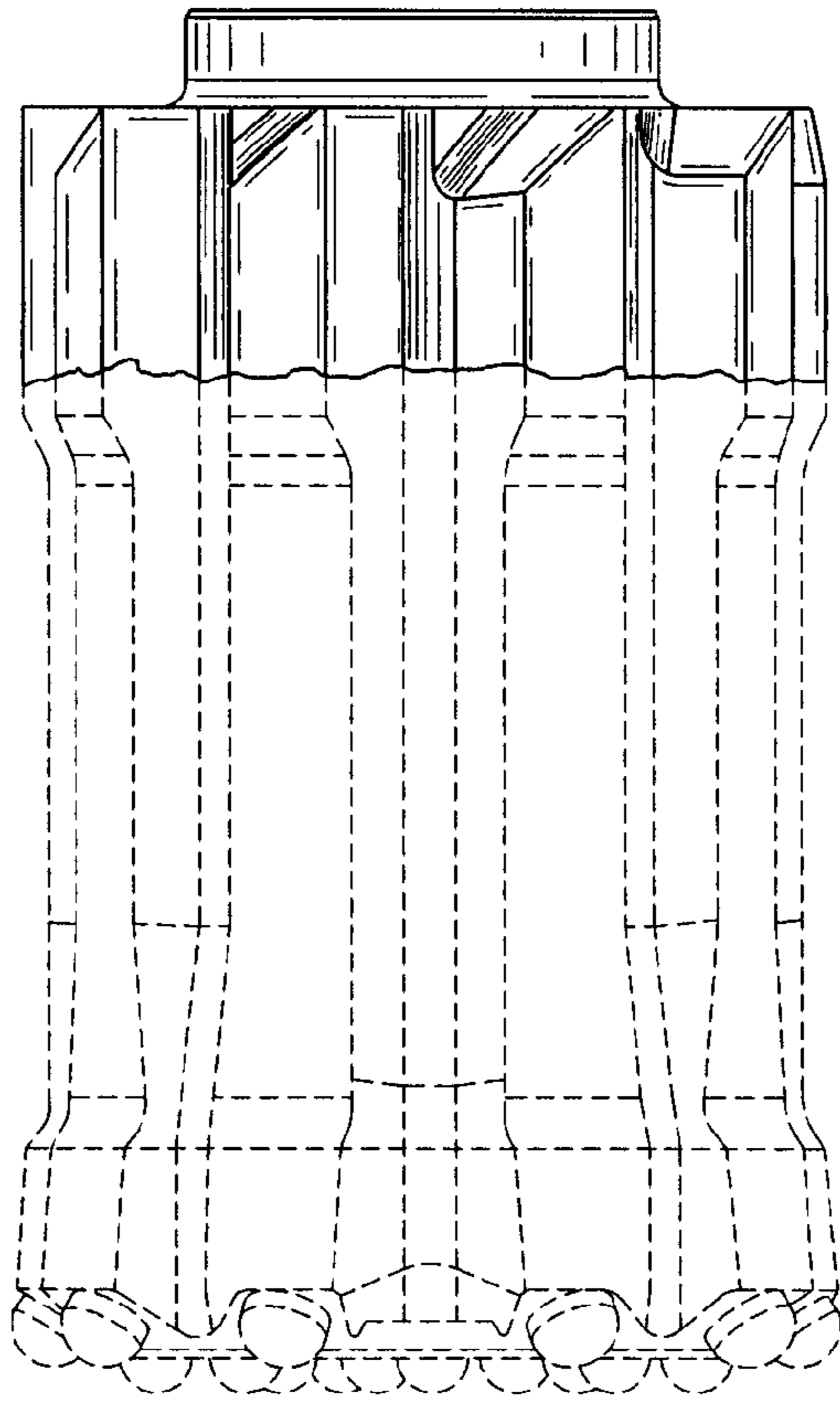


Fig. 5

