

US00D525994S

(12) **United States Design Patent** (10) **Patent No.:** **US D525,994 S**
Welsh (45) **Date of Patent:** **** *Aug. 1, 2006**

(54) **PLANER**

(75) Inventor: **Robert P. Welsh**, Hunt Valley, MD (US)

(73) Assignee: **Black & Decker Inc.**, Newark, DE (US)

(*) Notice: This patent is subject to a terminal disclaimer.

(**) Term: **14 Years**

(21) Appl. No.: **29/220,832**

(22) Filed: **Jan. 7, 2005**

Related U.S. Application Data

(63) Continuation of application No. 29/180,748, filed on Apr. 29, 2003, now Pat. No. Des. 502,472, which is a continuation of application No. 29/155,671, filed on Feb. 13, 2002, now Pat. No. Des. 477,001, which is a continuation of application No. 29/148,409, filed on Sep. 19, 2001, now Pat. No. Des. 456,824, which is a continuation of application No. 29/140,611, filed on Apr. 20, 2001, now Pat. No. Des. 450,729, which is a continuation of application No. 29/132,328, filed on Nov. 7, 2000, now Pat. No. Des. 444,482, which is a continuation of application No. 29/121,853, filed on Apr. 12, 2000, now Pat. No. Des. 437,604, which is a continuation of application No. 29/112,894, filed on Oct. 26, 1999, now Pat. No. Des. 430,580, which is a continuation of application No. 29/100,427, filed on Feb. 10, 1999, now Pat. No. Des. 421,996, which is a continuation of application No. 29/093,569, filed on Sep. 14, 1998, now Pat. No. Des. 412,914, which is a continuation of application No. 29/088,229, filed on May 19, 1998, now Pat. No. Des. 411,548, which is a continuation of application No. 29/081,850, filed on Dec. 15, 1997, now Pat. No. Des. 397,122, which is a

continuation of application No. 29/065,049, filed on Jan. 17, 1997, now Pat. No. Des. 395,320, which is a continuation of application No. 29/062,168, filed on Nov. 8, 1996, now Pat. No. Des. 387,070.

(51) **LOC (8) CI.** **15-09**

(52) **U.S. CI.** **D15/124**

(58) **Field of Classification Search** D15/124-126; 144/17.1, 144.1, 177 R, 144 R, 124, 125, 144/126, 127 A, 154.5, 129, 130, 218, 225, 144/228, 230, 242.5, 245.1, 246, 250.2, 253.2, 144/252.11, 375; 408/115 R, 241 S

See application file for complete search history.

(56) **References Cited**

U.S. PATENT DOCUMENTS

D387,070 S * 12/1997 Welsh D15/127
D397,122 S * 8/1998 Welsh D15/127
D411,548 S * 6/1999 Welsh D15/124

* cited by examiner

Primary Examiner—Antoine D. Davis

(74) *Attorney, Agent, or Firm*—Mehul R. Jani; Adan Ayala; Charles E. Yocum

(57) **CLAIM**

The ornamental design for a planer, as shown and described.

DESCRIPTION

FIG. 1 is a right side elevational view of a planer showing my new design.

1 Claim, 1 Drawing Sheet

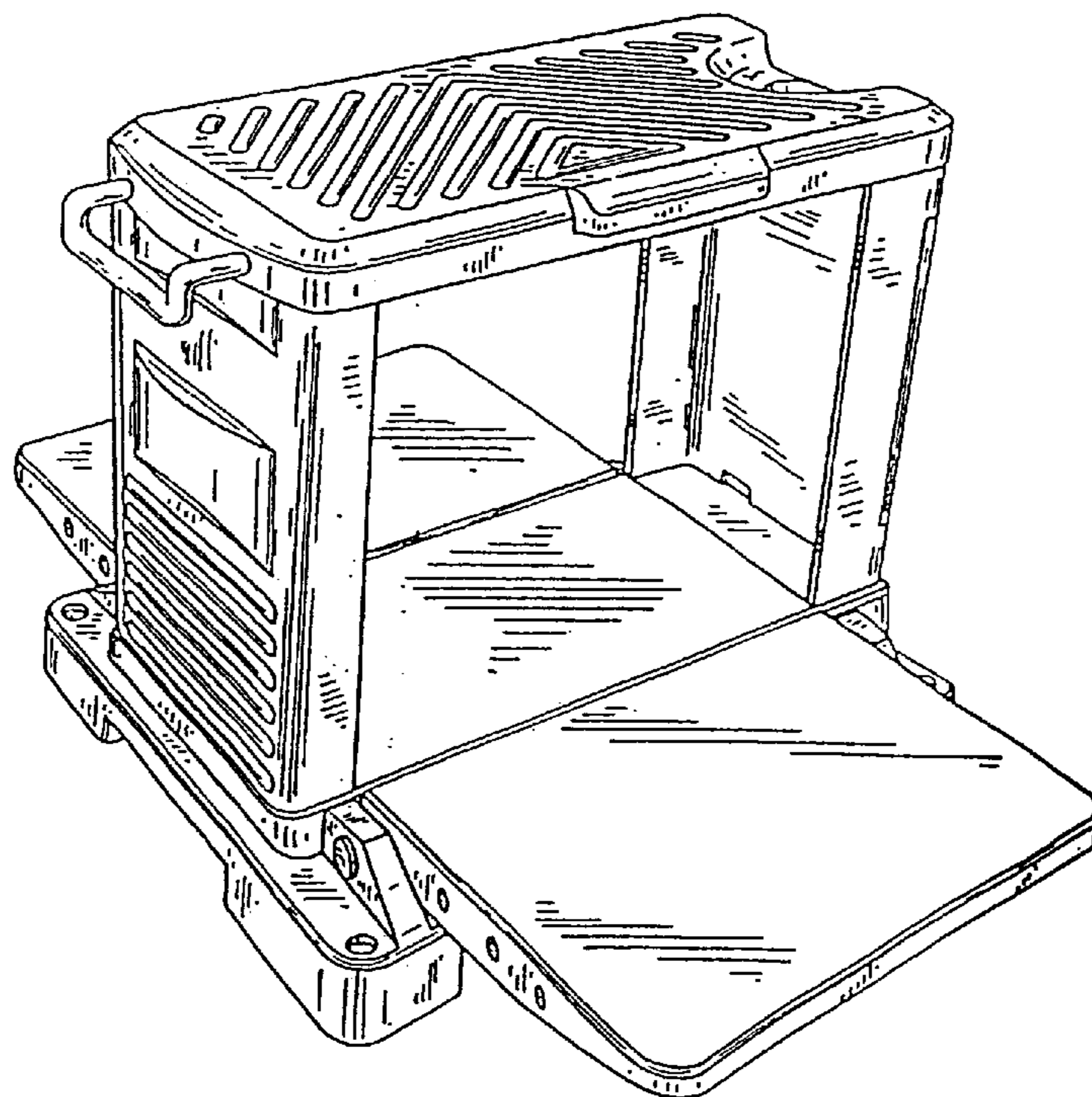


FIG. 1

