



US00D525977S

(12) **United States Design Patent**  
**Yao**

(10) **Patent No.:** **US D525,977 S**

(45) **Date of Patent:** **\*\* Aug. 1, 2006**

(54) **MEMORY CARD**

(76) **Inventor:** **Li-Ho Yao**, 4F, No. 99, Tungan St.,  
Taipei (TW)

(\*\*) **Term:** **14 Years**

(21) **Appl. No.:** **29/220,399**

(22) **Filed:** **Jan. 3, 2005**

(51) **LOC (8) Cl.** ..... **14-02**

(52) **U.S. Cl.** ..... **D14/436**

(58) **Field of Classification Search** ..... 439/628,  
439/638, 630, 946, 267, 260, 945, 95, 140,  
439/101, 67, 76.1, 108, 159, 147, 148; D14/433,  
D14/435, 436, 432, 242; 235/441, 486, 451,  
235/479, 453; 710/62, 74, 301; 361/736-37,  
361/740, 747, 759, 801, 679, 752, 730, 816,  
361/738, 766, 799, 807, 829; 312/223.2;  
174/35 R, 51; 206/706, 701; 360/129, 132,  
360/133, 135

See application file for complete search history.

(56) **References Cited**

**U.S. PATENT DOCUMENTS**

D290,119 S	*	6/1987	Trezise et al.	.....	D14/189
4,890,197 A	*	12/1989	Banjo et al.	.....	361/684
4,924,076 A	*	5/1990	Kitamura	.....	235/492
D337,575 S	*	7/1993	Tse	.....	D14/438
5,412,253 A	*	5/1995	Hough	.....	307/17
D368,082 S	*	3/1996	Goto	.....	D14/435
5,500,518 A	*	3/1996	Olzak et al.	.....	235/492
5,752,857 A	*	5/1998	Knights	.....	439/638
5,892,213 A	*	4/1999	Ito et al.	.....	235/441

D410,916 S	*	6/1999	Oba	.....	D14/432
6,097,605 A	*	8/2000	Klatt et al.	.....	361/737
D432,540 S	*	10/2000	Laity et al.	.....	D14/436
D452,246 S	*	12/2001	Wallace et al.	.....	D14/436
6,333,854 B1	*	12/2001	Sasaoka et al.	.....	361/737
D460,453 S	*	7/2002	Homma et al.	.....	D14/435
D480,727 S	*	10/2003	Gargani et al.	.....	D14/437
6,655,972 B1	*	12/2003	Sato	.....	439/159
D486,830 S	*	2/2004	Kadonaga	.....	D14/435
2002/0084332 A1	*	7/2002	Kondo et al.	.....	235/492
2002/0177362 A1	*	11/2002	Chang	.....	439/638

\* cited by examiner

*Primary Examiner*—Alan P. Douglas

*Assistant Examiner*—Susan Moon Lee

(74) *Attorney, Agent, or Firm*—Rosenberg, Klein & Lee

(57) **CLAIM**

The ornamental design for a memory card, as shown and described.

**DESCRIPTION**

FIG. 1 is a perspective view of a memory card, showing my new design;

FIG. 2 is a front view thereof;

FIG. 3 is a rear view thereof;

FIG. 4 is a left side view thereof;

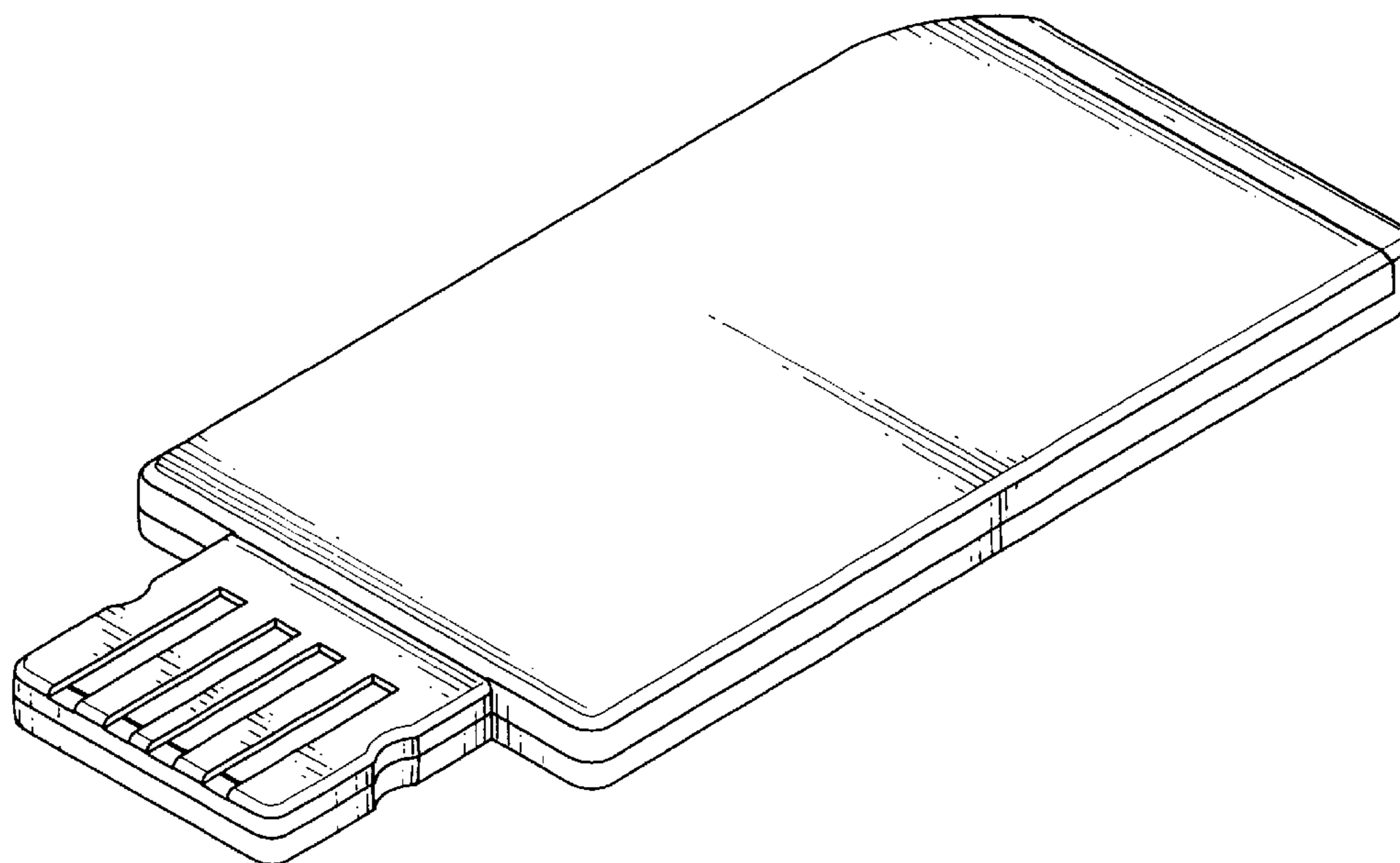
FIG. 5 is a right side view thereof;

FIG. 6 is a top view thereof;

FIG. 7 is a bottom view thereof; and,

FIG. 8 is a perspective view of the memory card with a cover shown in broken lines not forming a part of the invention claimed.

**1 Claim, 5 Drawing Sheets**



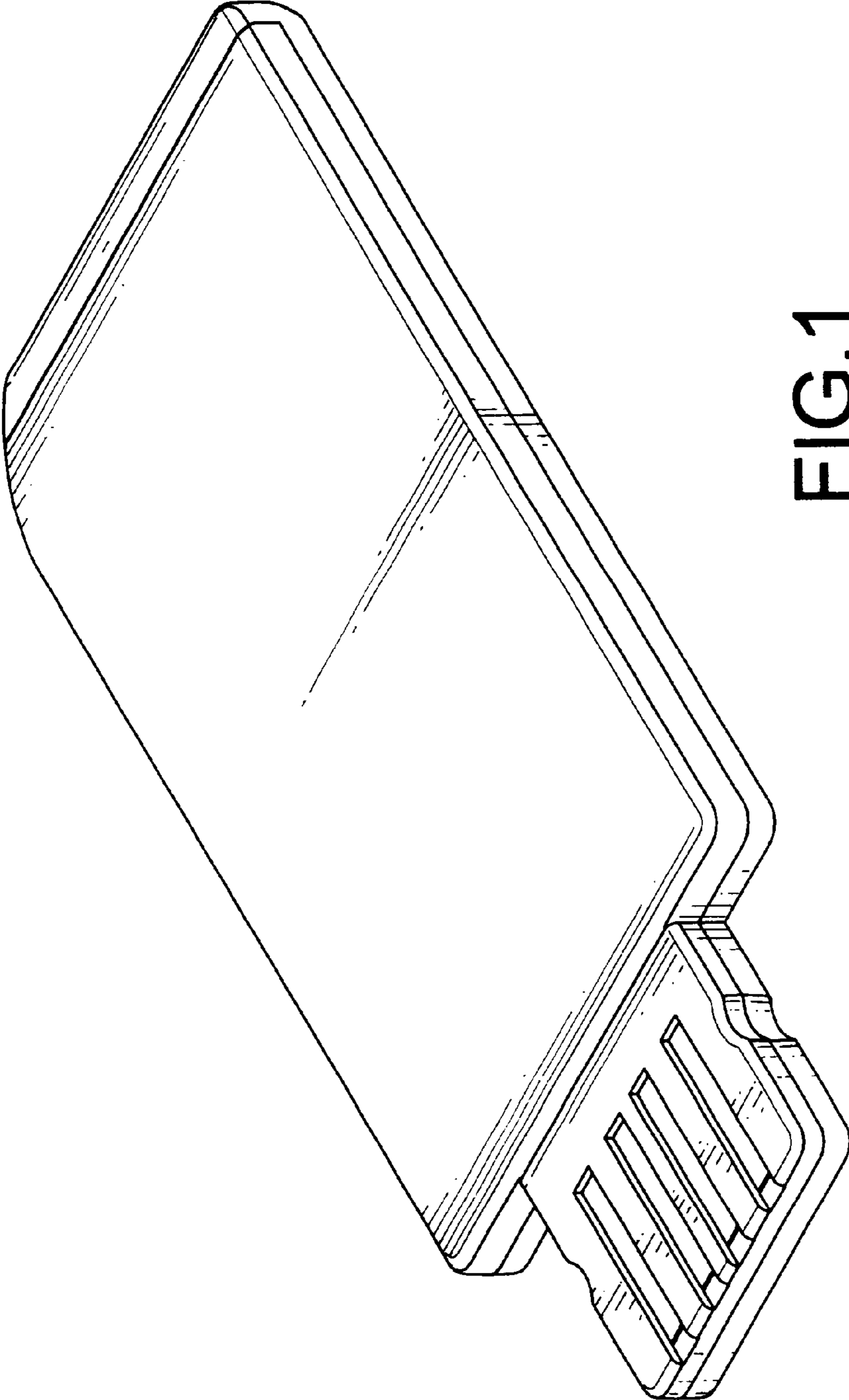


FIG. 1

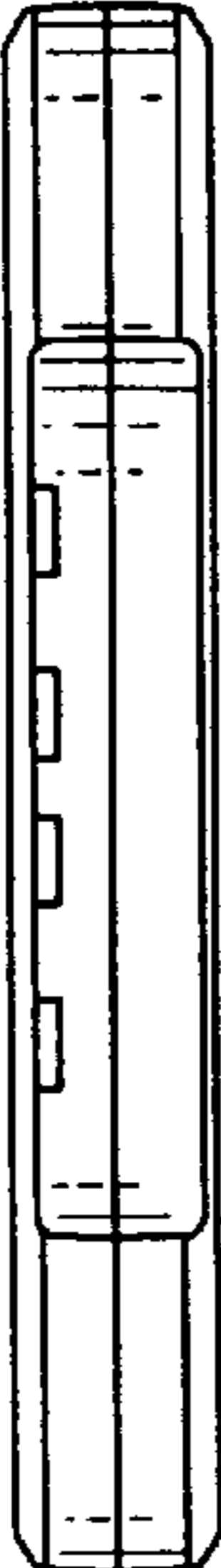


FIG. 2

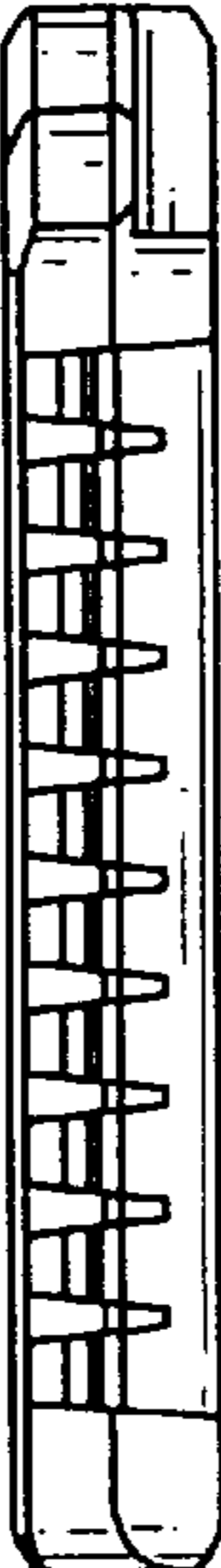


FIG. 3



FIG. 4

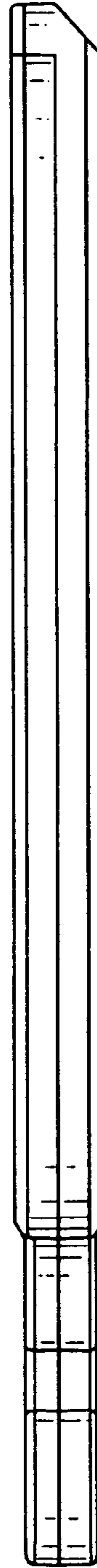


FIG. 5

FIG.7

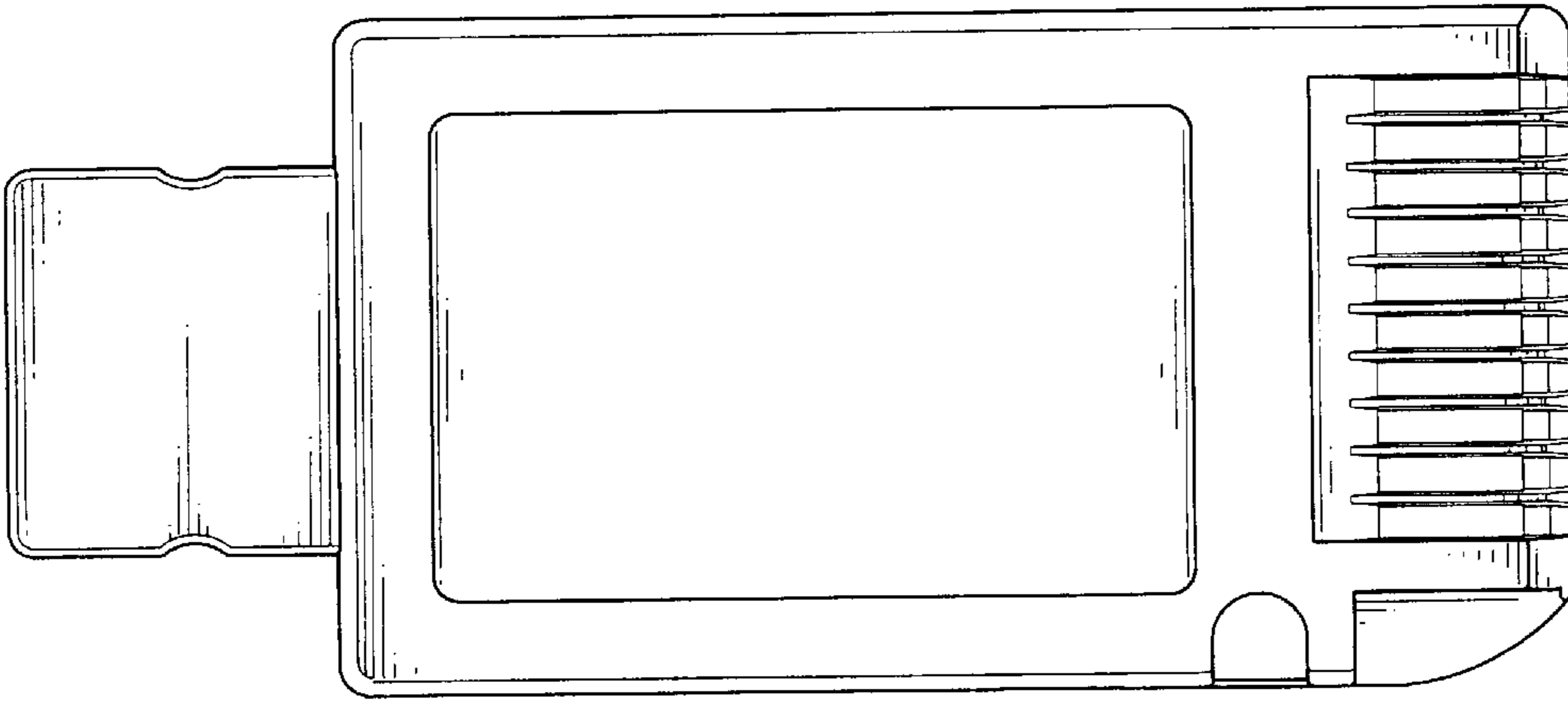
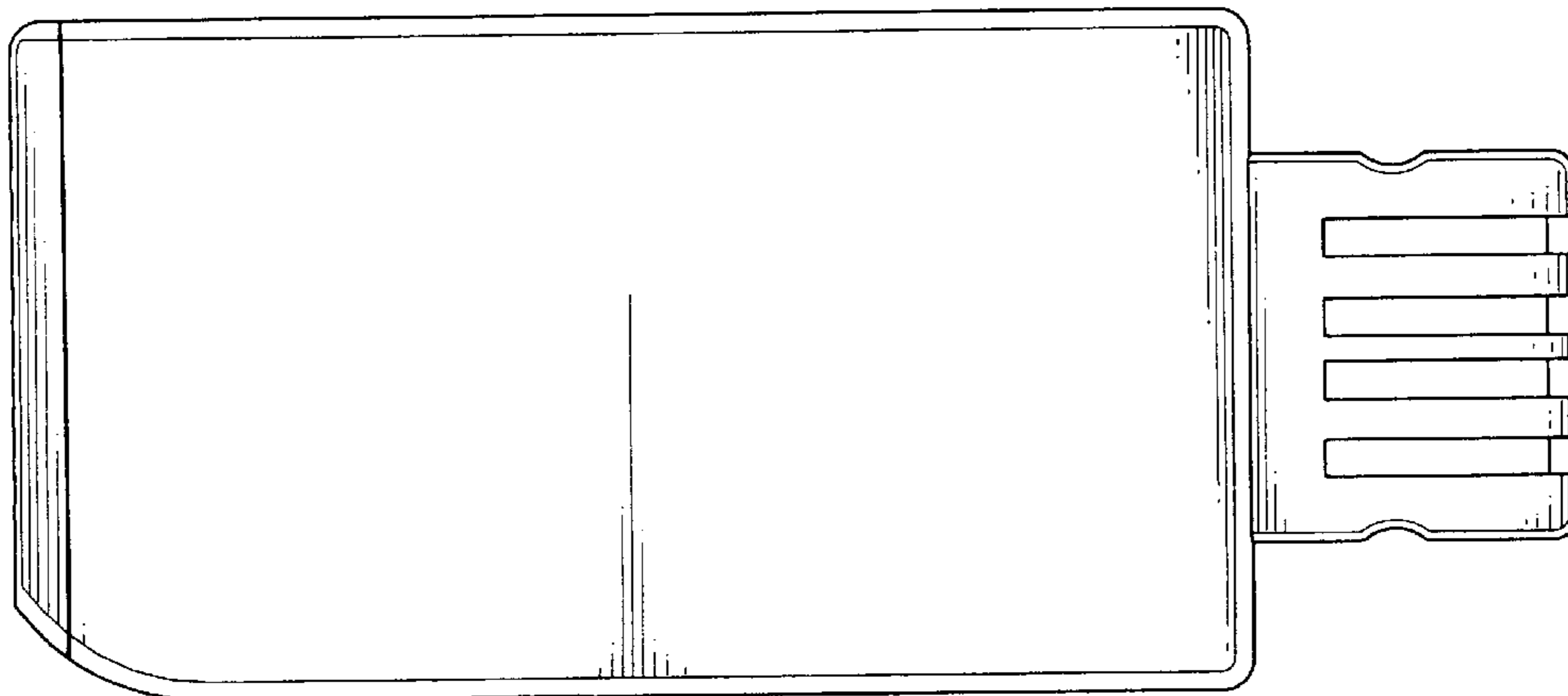


FIG.6



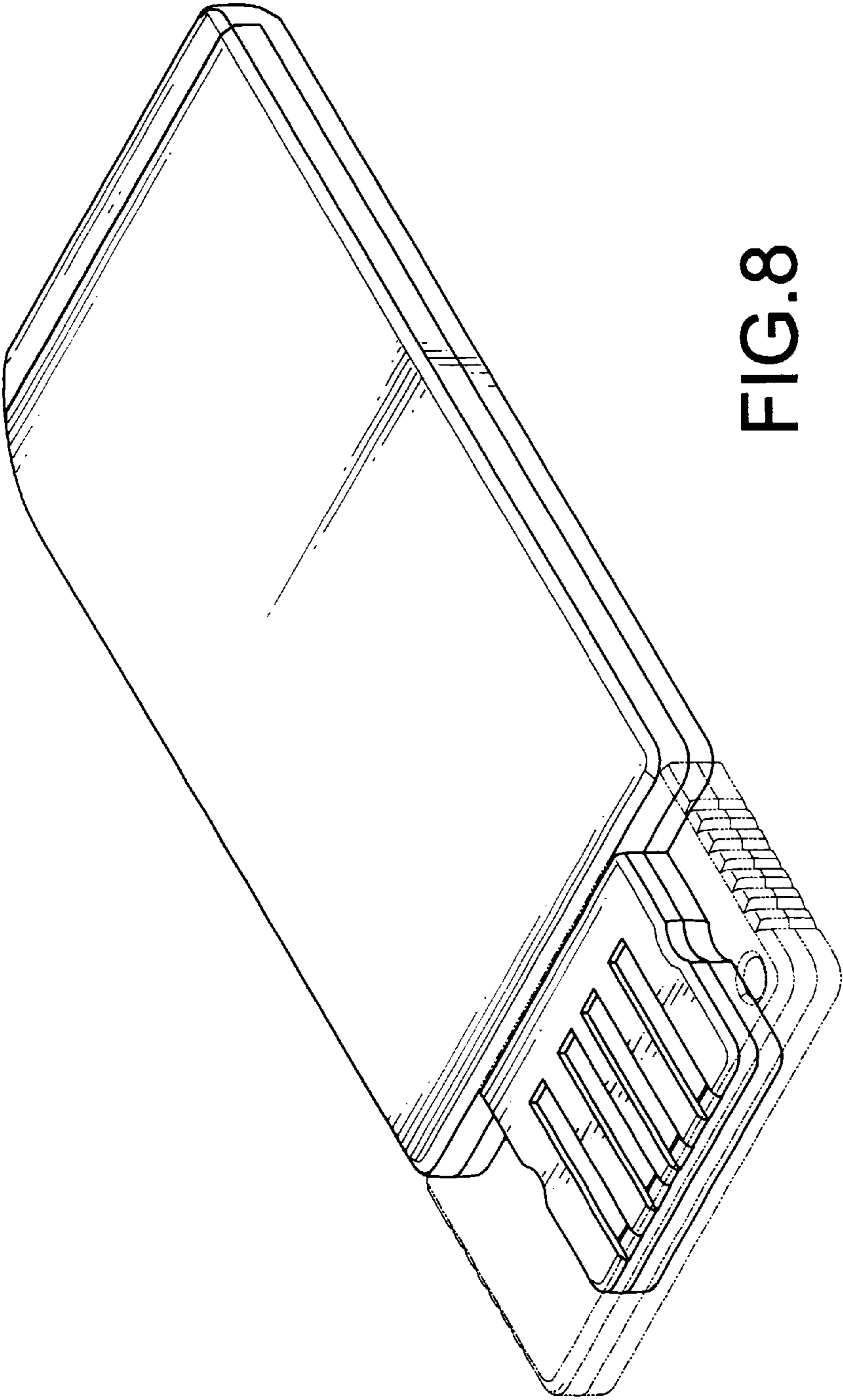


FIG.8