



US00D525968S

(12) **United States Design Patent**
Peng et al.

(10) **Patent No.:** **US D525,968 S**

(45) **Date of Patent:** **** Aug. 1, 2006**

(54) **MULTIMEDIA COMPUTER**

(75) Inventors: **Chi-Zen Peng**, Taipei (TW);
Chia-Shyong Cheng, Taipei (TW)

(73) Assignee: **First Internation Computer, Inc.**,
Taipei (TW)

(**) Term: **14 Years**

(21) Appl. No.: **29/236,541**

(22) Filed: **Aug. 18, 2005**

(51) **LOC (8) Cl.** **14-02**

(52) **U.S. Cl.** **D14/300**

(58) **Field of Classification Search** D14/300-302,
D14/308, 314, 349, 356, 363, 433; D13/162,
D13/184, 199; D6/432, 436, 445, 448; 312/223.1-223.3;
360/99.01, 99.12; 361/680-686, 752; 369/34.01,
369/36.01

See application file for complete search history.

(56) **References Cited**

U.S. PATENT DOCUMENTS

D226,565 S * 3/1973 Klepa et al. D14/349
5,934,774 A * 8/1999 Wu et al. 312/223.2
D436,958 S * 1/2001 Chen et al. D14/363

D470,848 S * 2/2003 Morooka D14/433
D484,129 S * 12/2003 Hyogo D14/356
D488,806 S * 4/2004 Huang et al. D14/308
D494,579 S * 8/2004 Chuang et al. D14/314
D495,700 S * 9/2004 Mukai et al. D14/356
2002/0105787 A1 * 8/2002 Kobayashi et al. 361/752

* cited by examiner

Primary Examiner—Freda S. Nunn

(74) *Attorney, Agent, or Firm*—Rabin & Berdo, P.C.

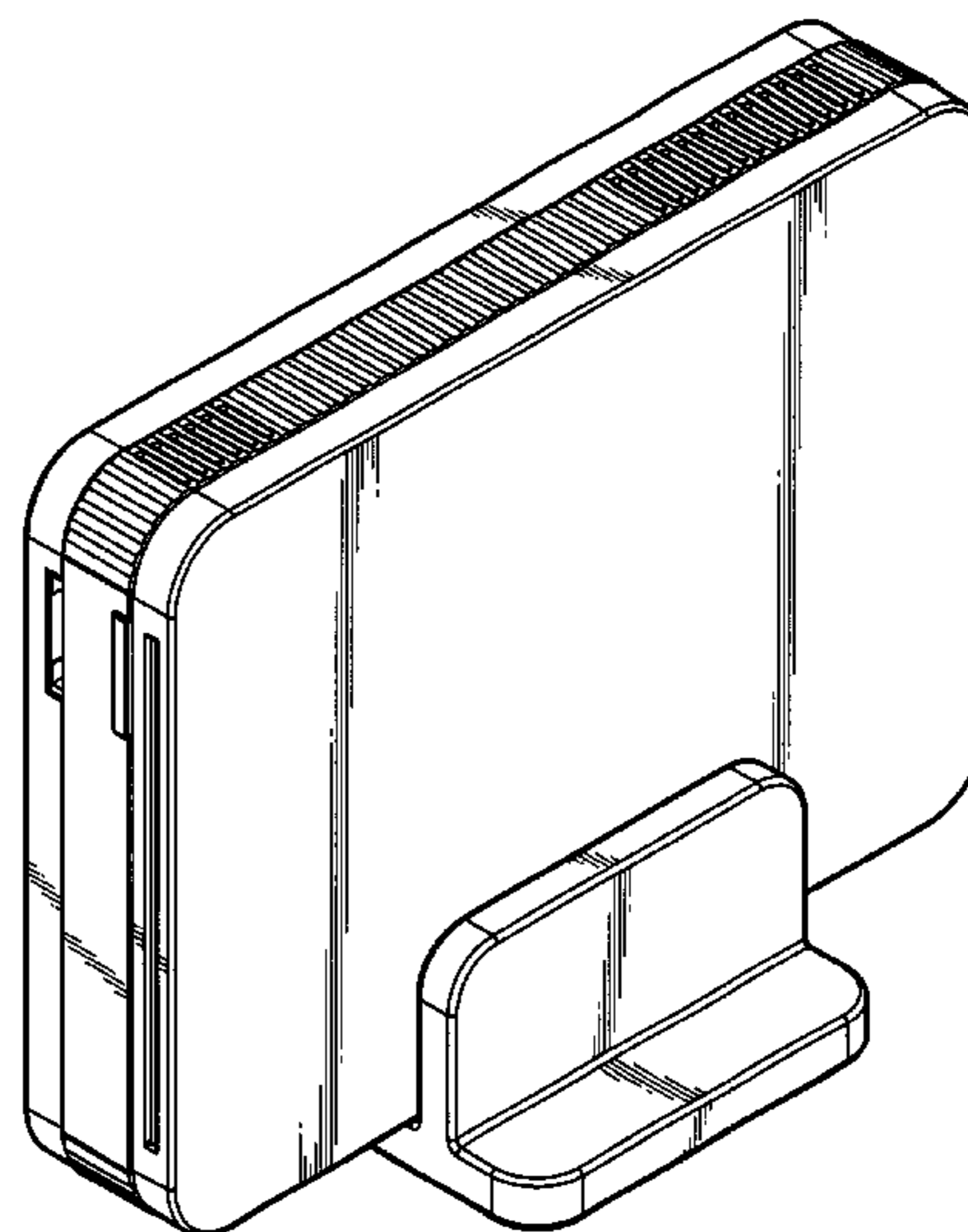
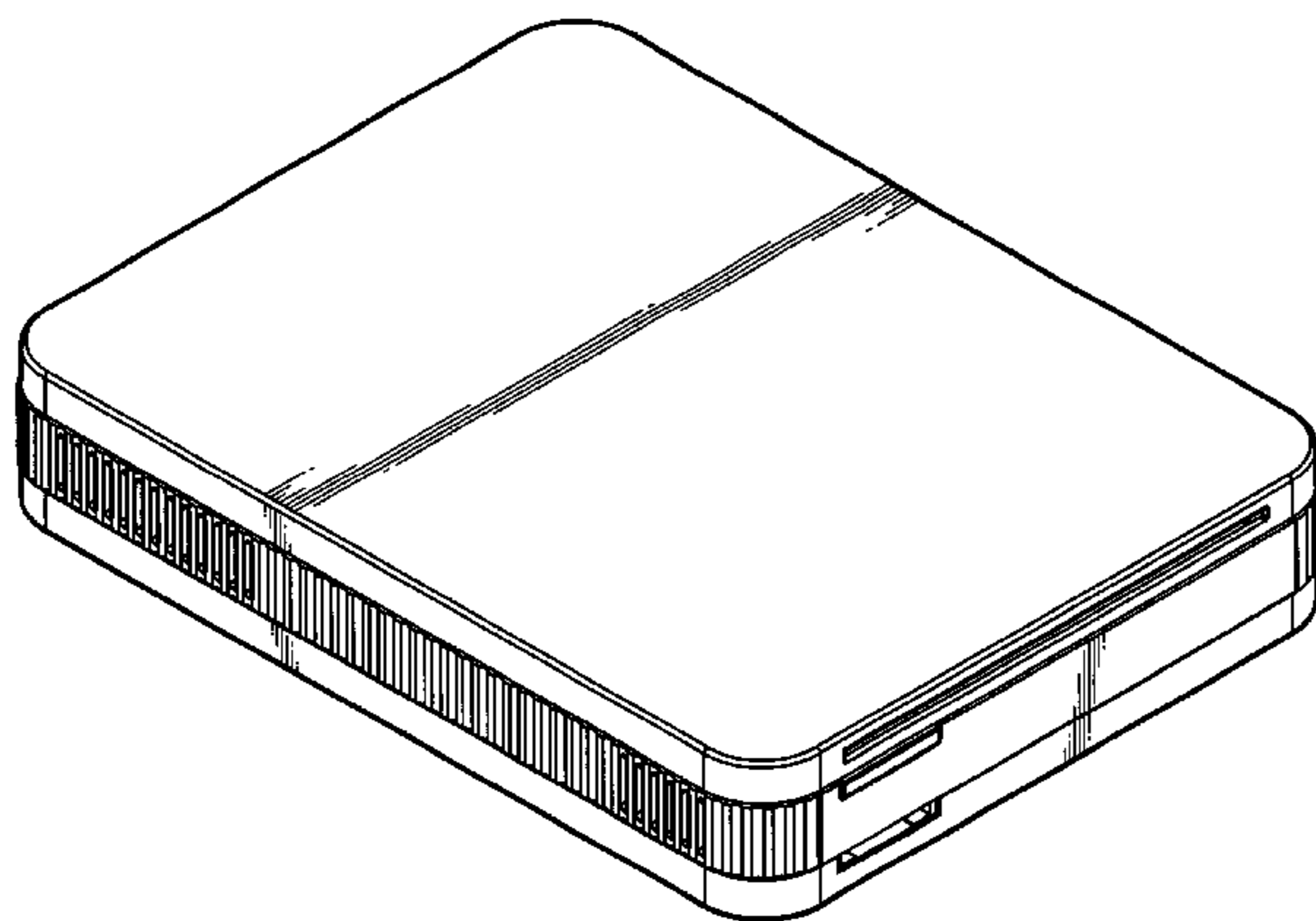
(57) **CLAIM**

The ornamental design for a “multimedia computer,” as shown and described.

DESCRIPTION

FIG. 1 is a perspective view of multimedia computershow-
ing our new design;
FIG. 2 is a front view thereof;
FIG. 3 is a rear view thereof;
FIG. 4 is a left side elevational view thereof;
FIG. 5 is a right side elevational view thereof;
FIG. 6 is a top view thereof;
FIG. 7 is a bottom view thereof; and,
FIG. 8 is another perspective view thereof showing the
computer with a stand.

1 Claim, 6 Drawing Sheets



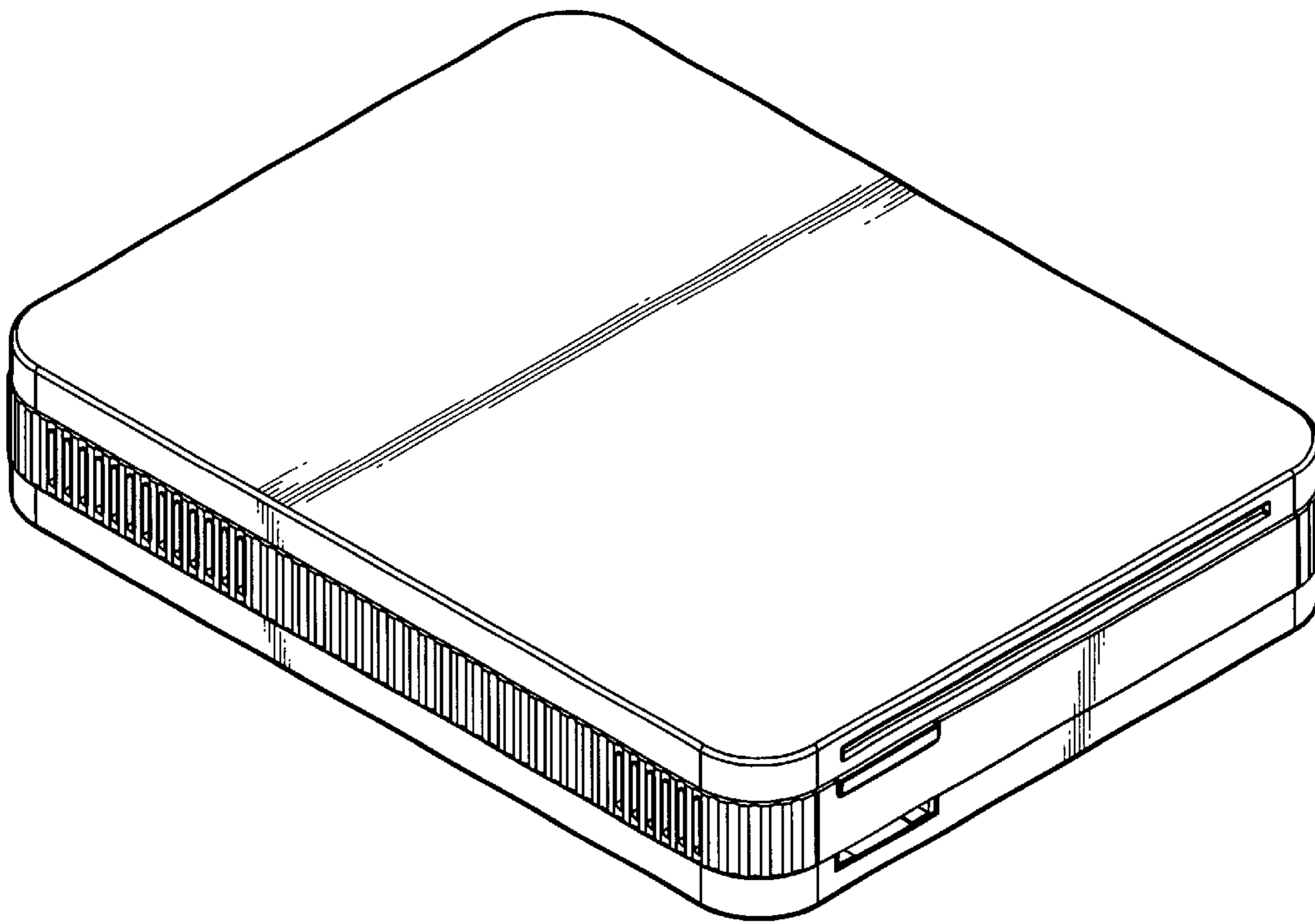


FIG.1

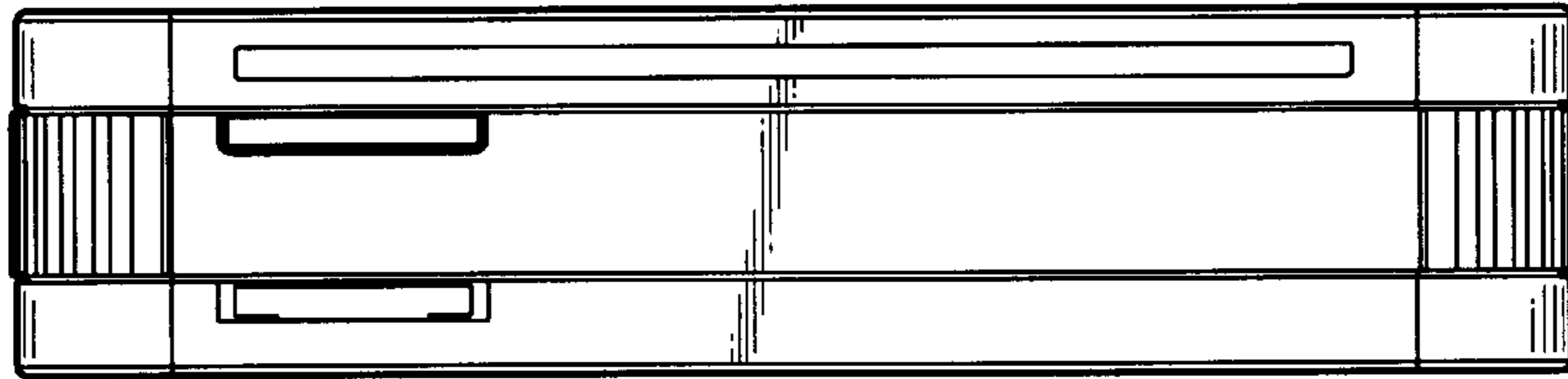


FIG. 2

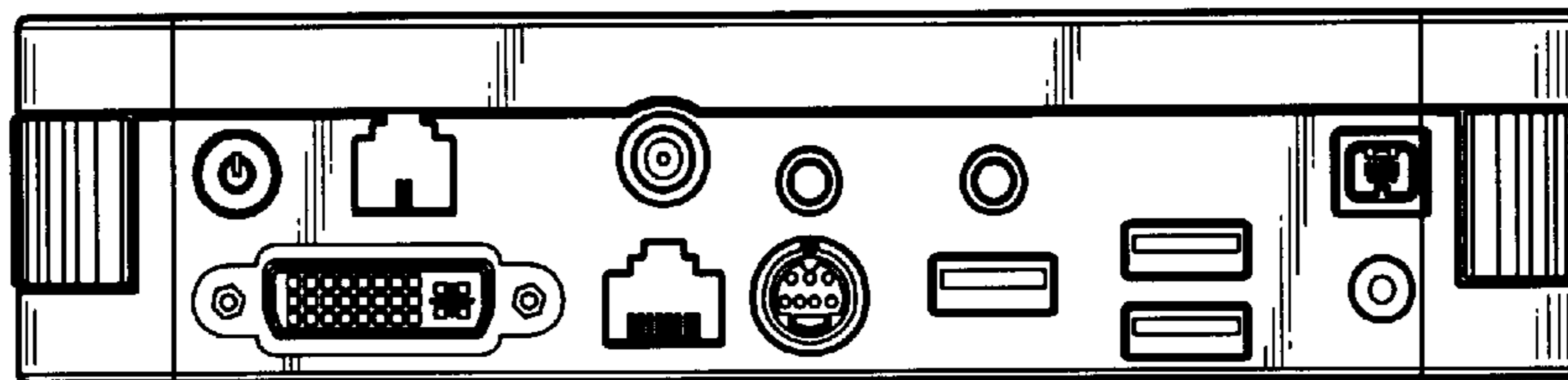


FIG. 3

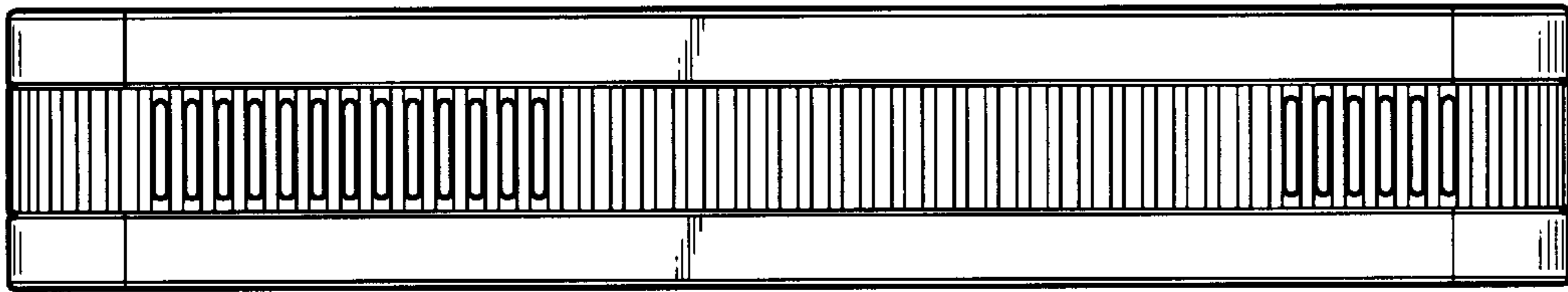


FIG.4

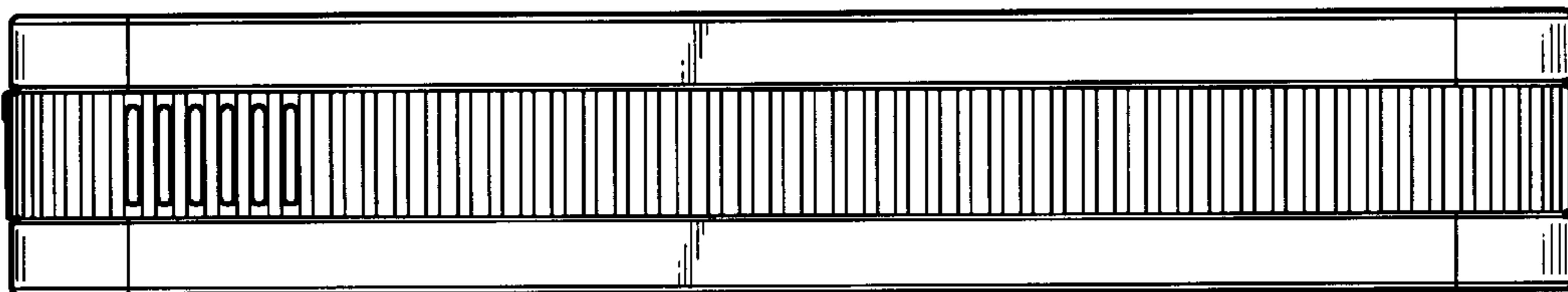


FIG.5

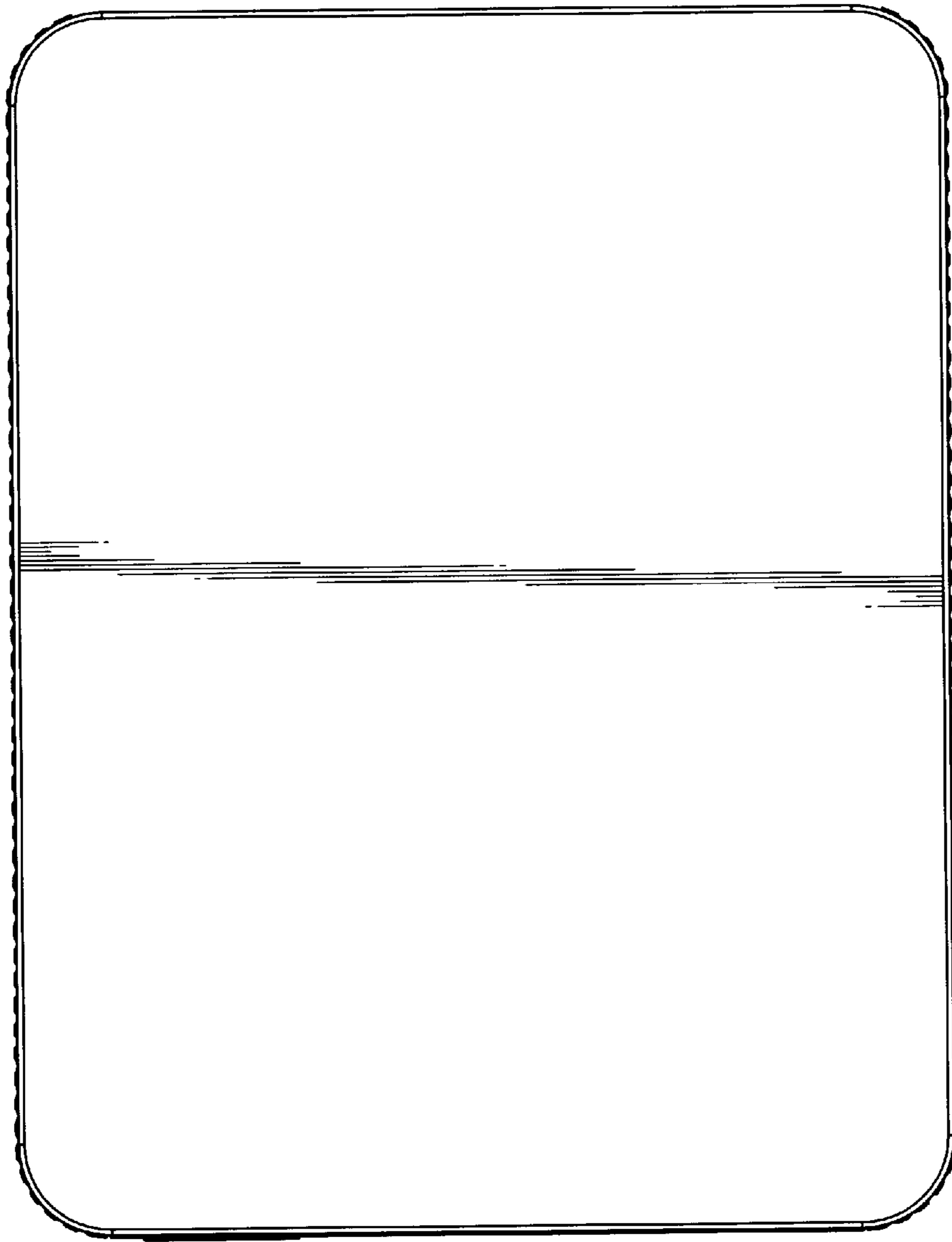


FIG.6

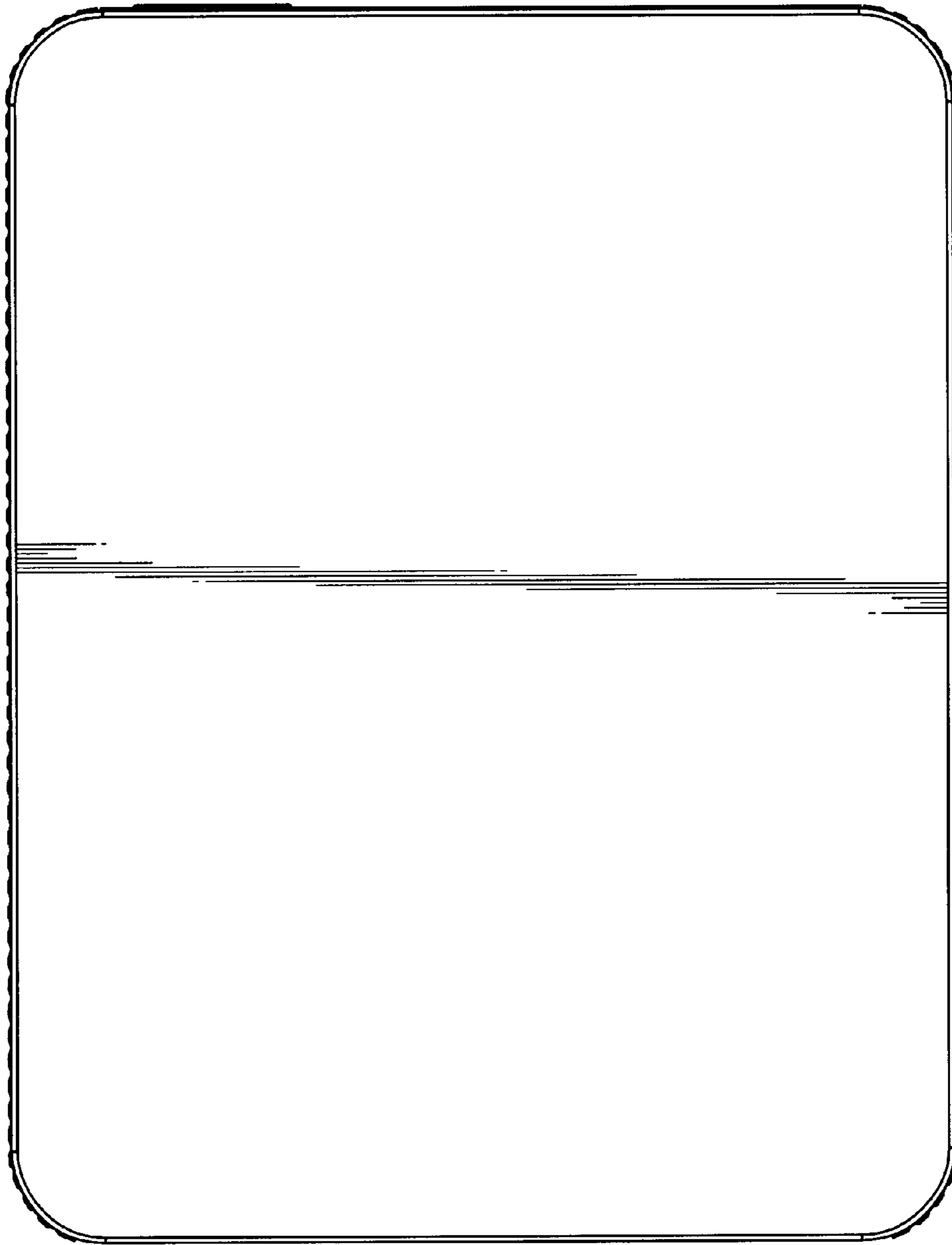


FIG.7

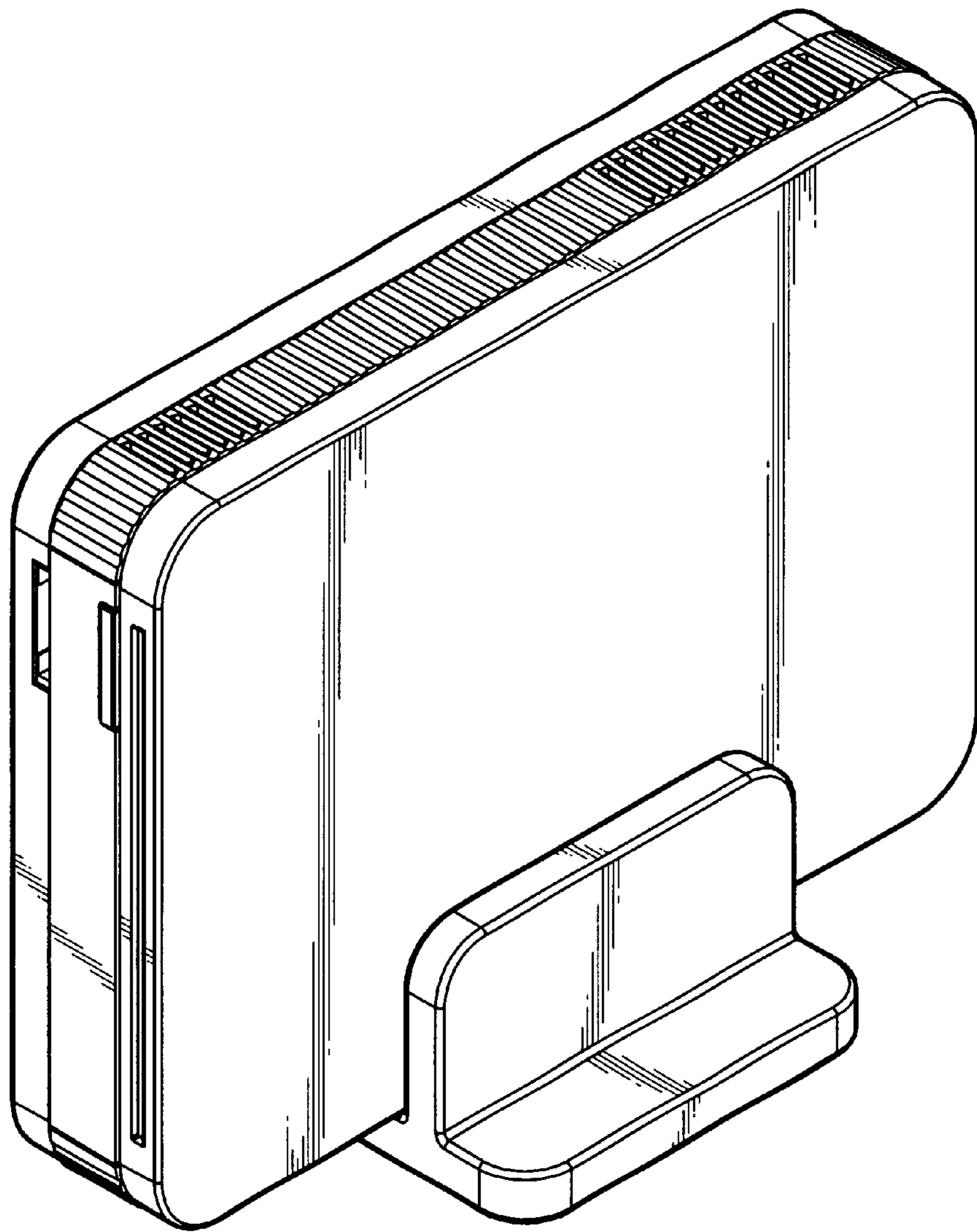


FIG.8