



US00D525962S

(12) **United States Design Patent** (10) **Patent No.:** **US D525,962 S**  
**Elson** (45) **Date of Patent:** **\*\* Aug. 1, 2006**

(54) **HANDS-FREE TELEPHONE SYSTEM**

2005/0105740 A1 \* 5/2005 Dyer ..... 381/16

(75) Inventor: **John Elson**, Weybridge (GB)

FOREIGN PATENT DOCUMENTS

(73) Assignee: **Outbreak Marketing Limited**, Reading (GB)

WO DM/051082 \* 2/2000

(\*\*) Term: **14 Years**

OTHER PUBLICATIONS

(21) Appl. No.: **29/239,515**

“Jabra SP500 Bluetooth Wireless Speakerphone”, 1 p including photo, [online], <URL:www.hellodirect.com/catalog/product.jhtml?PRODID=10518&CATID=2043>, site visited Feb. 20, 2006.\*

(22) Filed: **Sep. 30, 2005**

\* cited by examiner

(30) **Foreign Application Priority Data**

Mar. 31, 2005 (EM) ..... 315551

*Primary Examiner*—Jeffrey D. Asch

(74) *Attorney, Agent, or Firm*—Davis & Bujold, P.L.L.C.

(51) **LOC (8) Cl.** ..... **14-03**

(57) **CLAIM**

(52) **U.S. Cl.** ..... **D14/149; D14/142; D14/240**

I claim the ornamental design for a hands-free telephone system, as shown and described.

(58) **Field of Classification Search** ..... D14/138, D14/141.1–141.2, 147, 148, 149, 155, 215, D14/225, 227, 240, 243, 358; D10/104, 106, D10/116; 379/202.01, 205.01, 420.01–420.04, 379/428.01–428.04, 432; 455/561, 562.1, 455/569.1, 569.2

**DESCRIPTION**

See application file for complete search history.

FIG. 1 is a front elevational view of a hands-free telephone system embodying my new design;  
FIG. 2 is a left side elevational view thereof;  
FIG. 3 is a right side elevational view thereof;  
FIG. 4 is a top plan view thereof;  
FIG. 5 is a bottom plan view thereof;  
FIG. 6 is a rear elevational view thereof;  
FIG. 7 is a front elevational view of the headset unit of the hands-free telephone system of FIG. 1;  
FIG. 8 is a top plan view of the headset unit of FIG. 7;  
FIG. 9 is a bottom plan view of the headset unit of FIG. 7;  
FIG. 10 is a left elevational view of the headset unit of FIG. 7;  
FIG. 11 is a right elevational view of the headset unit of FIG. 7;  
FIG. 12 is a rear elevational view of the headset unit of FIG. 7;  
FIG. 13 is a perspective view of the headset unit of FIG. 7;  
FIG. 14 is a front elevational view of the microphone-and-transmitter unit of the hands-free telephone system of FIG. 6;  
FIG. 15 is a top plan view of the microphone-and-transmitter unit of FIG. 14;

(56) **References Cited**

U.S. PATENT DOCUMENTS

D87,690 S \* 8/1932 Sinel ..... D14/215  
D326,452 S \* 5/1992 Roegner ..... D14/138  
5,894,298 A \* 4/1999 Hoeksma ..... 345/102  
D469,418 S \* 1/2003 Hsu ..... D14/142  
D478,576 S \* 8/2003 Leong ..... D14/240  
D481,389 S \* 10/2003 Owen ..... D14/358  
D484,467 S \* 12/2003 de Leon ..... D13/168  
D485,825 S \* 1/2004 Yoneda ..... D14/215  
D489,057 S \* 4/2004 Obata et al. .... D14/225  
D489,696 S \* 5/2004 Cho ..... D14/138  
D494,157 S \* 8/2004 Wikel et al. .... D14/240  
D496,031 S \* 9/2004 Ma et al. .... D14/240  
D500,484 S \* 1/2005 Deguchi ..... D14/167  
D506,989 S \* 7/2005 Seil et al. .... D14/155  
D514,078 S \* 1/2006 Rookard ..... D14/138  
D515,058 S \* 2/2006 Boyd ..... D14/138  
2003/0027606 A1 \* 2/2003 Tsai ..... 455/568  
2004/0224717 A1 \* 11/2004 Hertzberg et al. .... 455/550.1

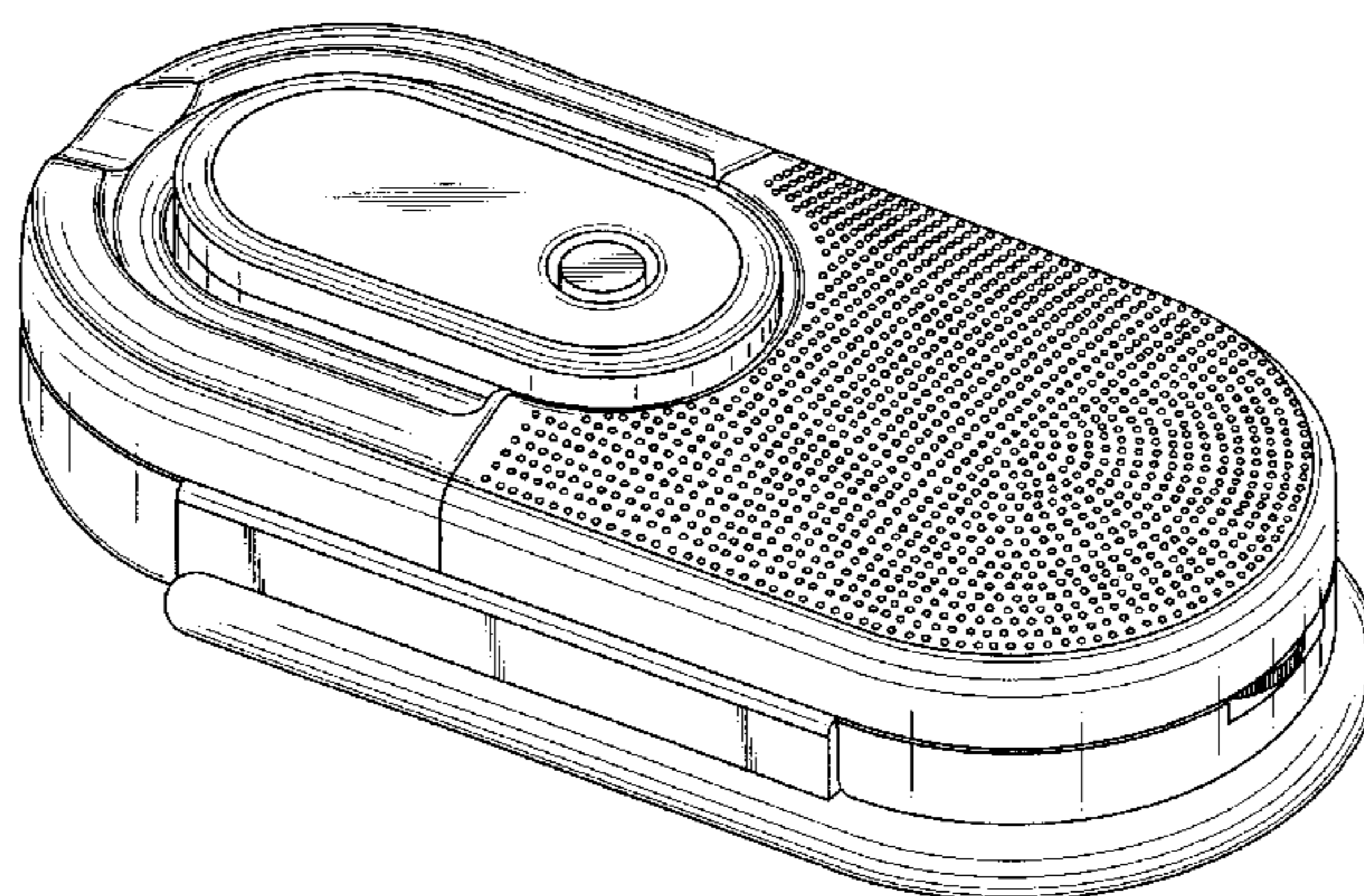


FIG. 16 is a bottom plan view of the microphone-and-transmitter unit of FIG. 14;

FIG. 17 is a left elevational view of the microphone-and-transmitter unit of FIG. 14;

FIG. 18 is a right elevational view of the microphone-and-transmitter unit of FIG. 14;

FIG. 19 is a rear elevational view of the microphone-and-transmitter unit of FIG. 14;

FIG. 20 is a perspective view of the microphone-and-transmitter unit of FIG. 14;

FIG. 21 is a front, bottom, right perspective view of the hands-free telephone system of FIG. 1;

FIG. 22 is a front, top, left perspective view of the hands-free telephone system of FIG. 1;

FIG. 23 is a front, bottom, right perspective view of the hands-free telephone system of FIG. 21 shown in its erect position;

FIG. 24 is a front, bottom, right perspective view of the hands-free telephone system of FIG. 21 shown in its erect position with the headset unit shown removed therefrom;

FIG. 25 is a front, top, left perspective view of the hands-free telephone system of FIG. 22 with the microphone-and-transmitter unit shown removed therefrom;

FIG. 26 is a rear, top, left perspective view of the hands-free telephone system of FIG. 23 shown in the erect position; and,

FIG. 27 is a rear, top, left perspective view of the hands-free telephone system of FIG. 23 shown in the erect position with the microphone-and-transmitter unit shown removed therefrom.

Individual components of the complete article have been shown separately in FIGS. 7-20 to show portions not visible when in a combined state.

**1 Claim, 8 Drawing Sheets**

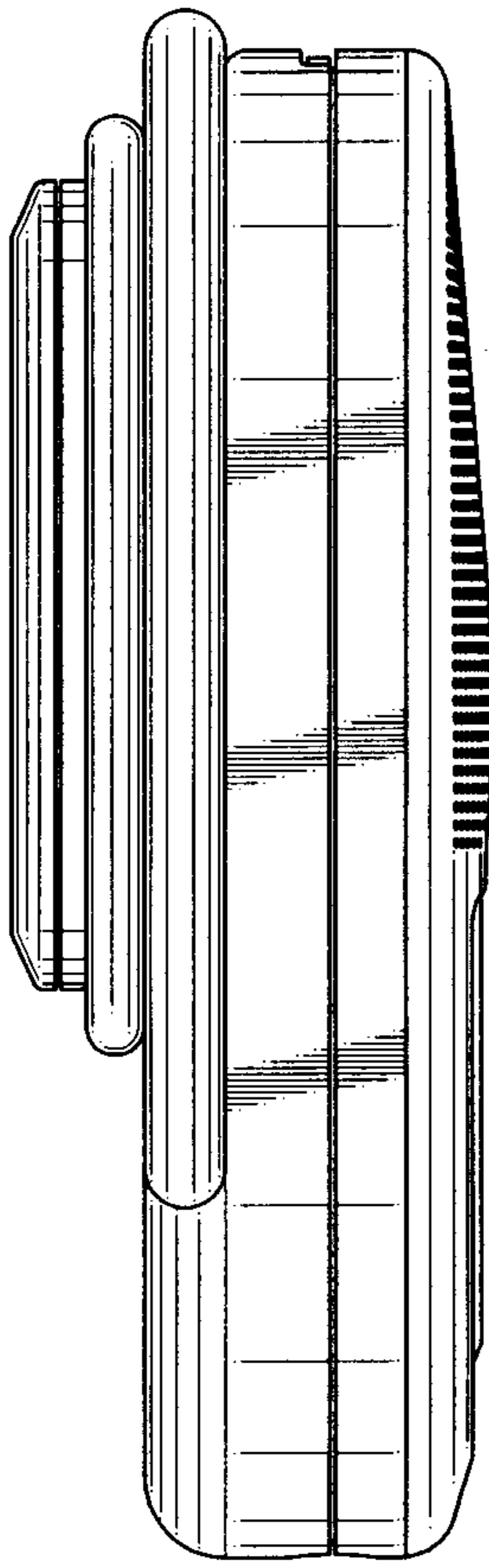


FIG. 4

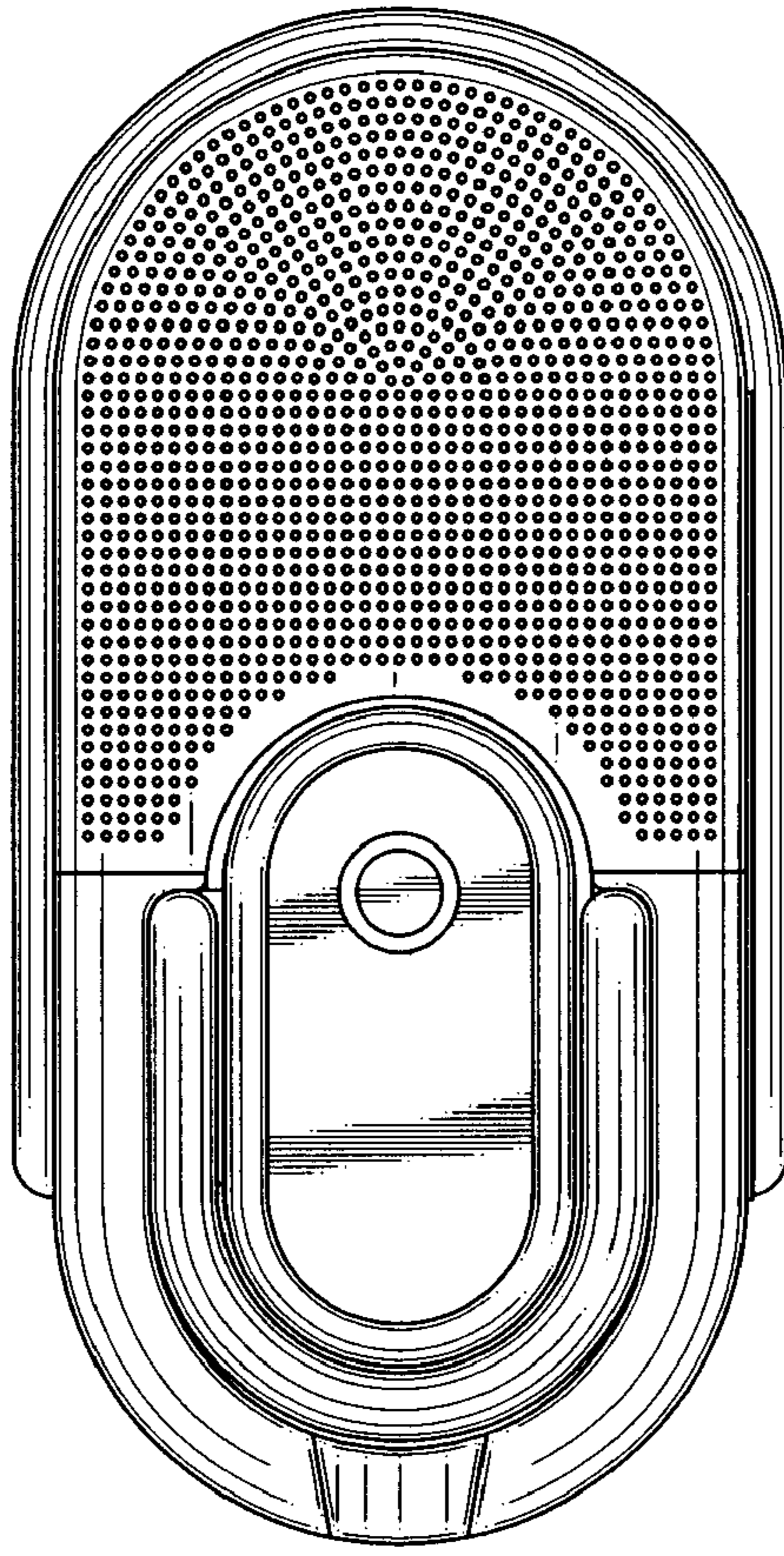


FIG. 1

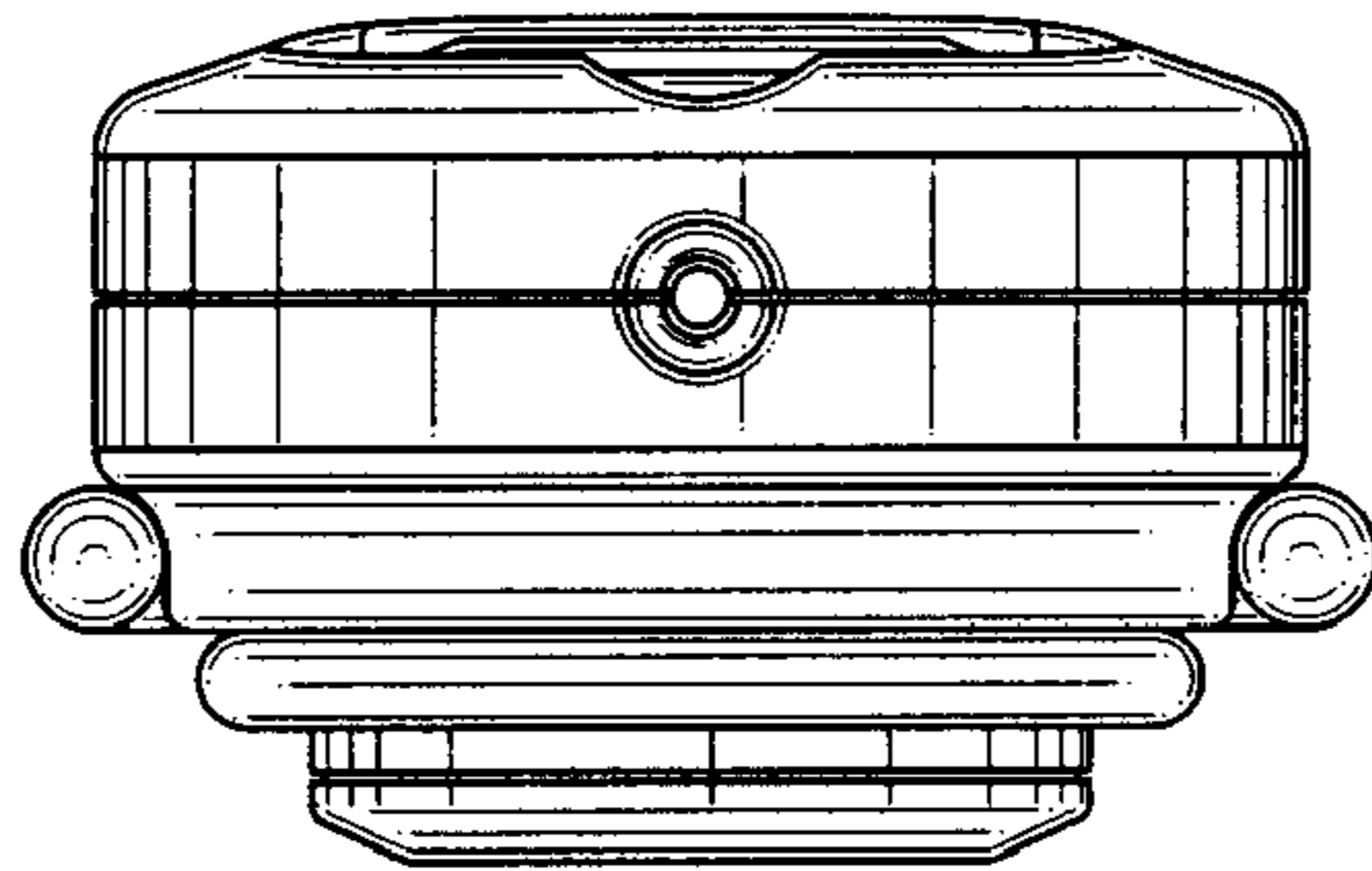


FIG. 2

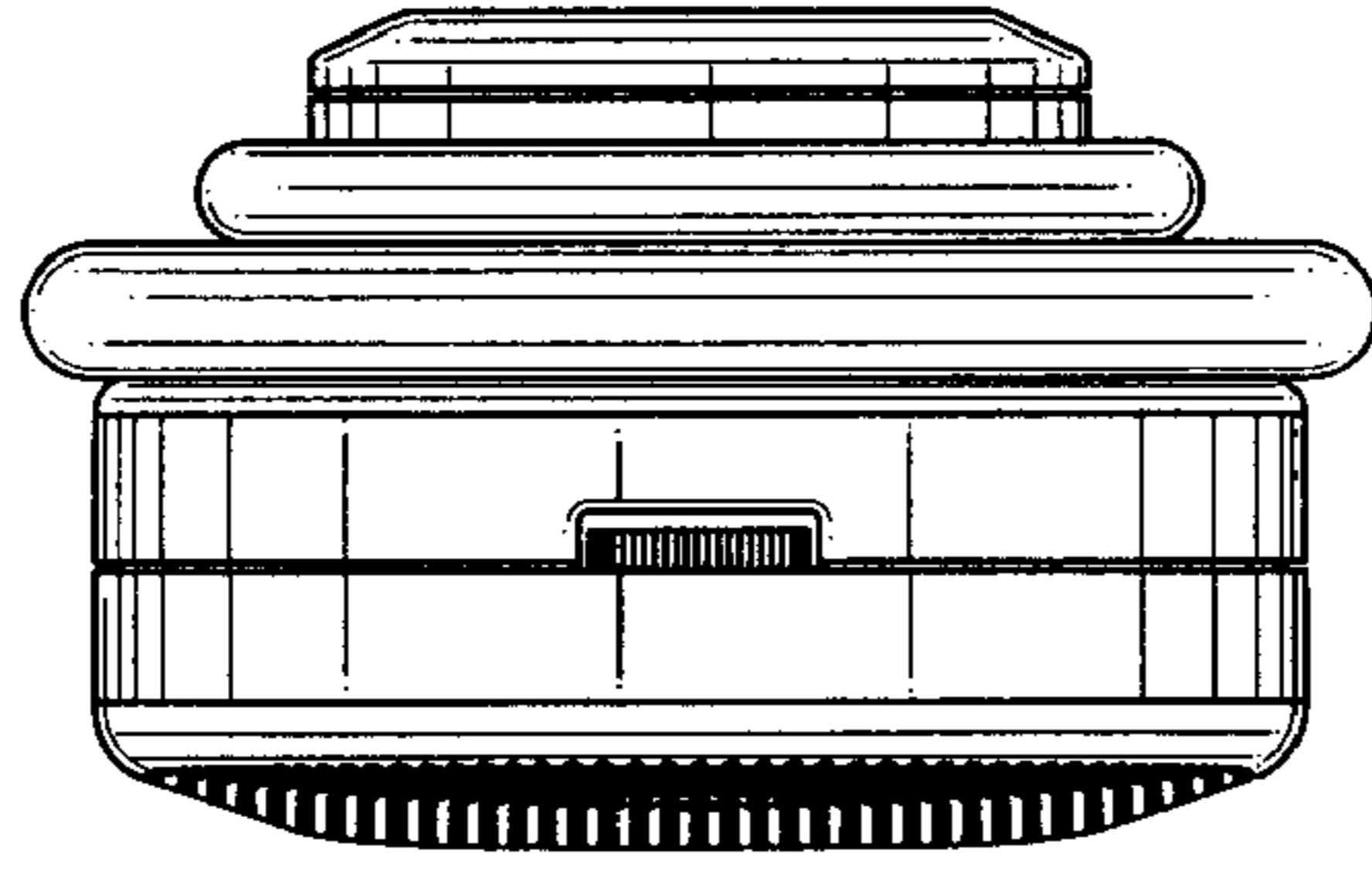


FIG. 3

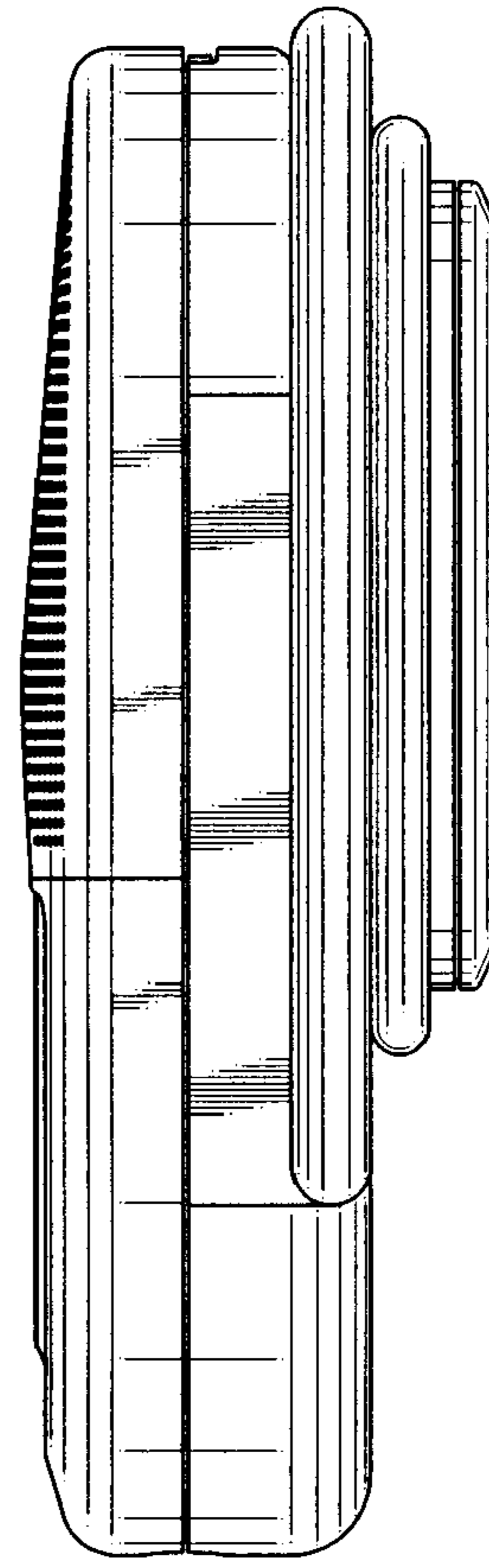


FIG. 5

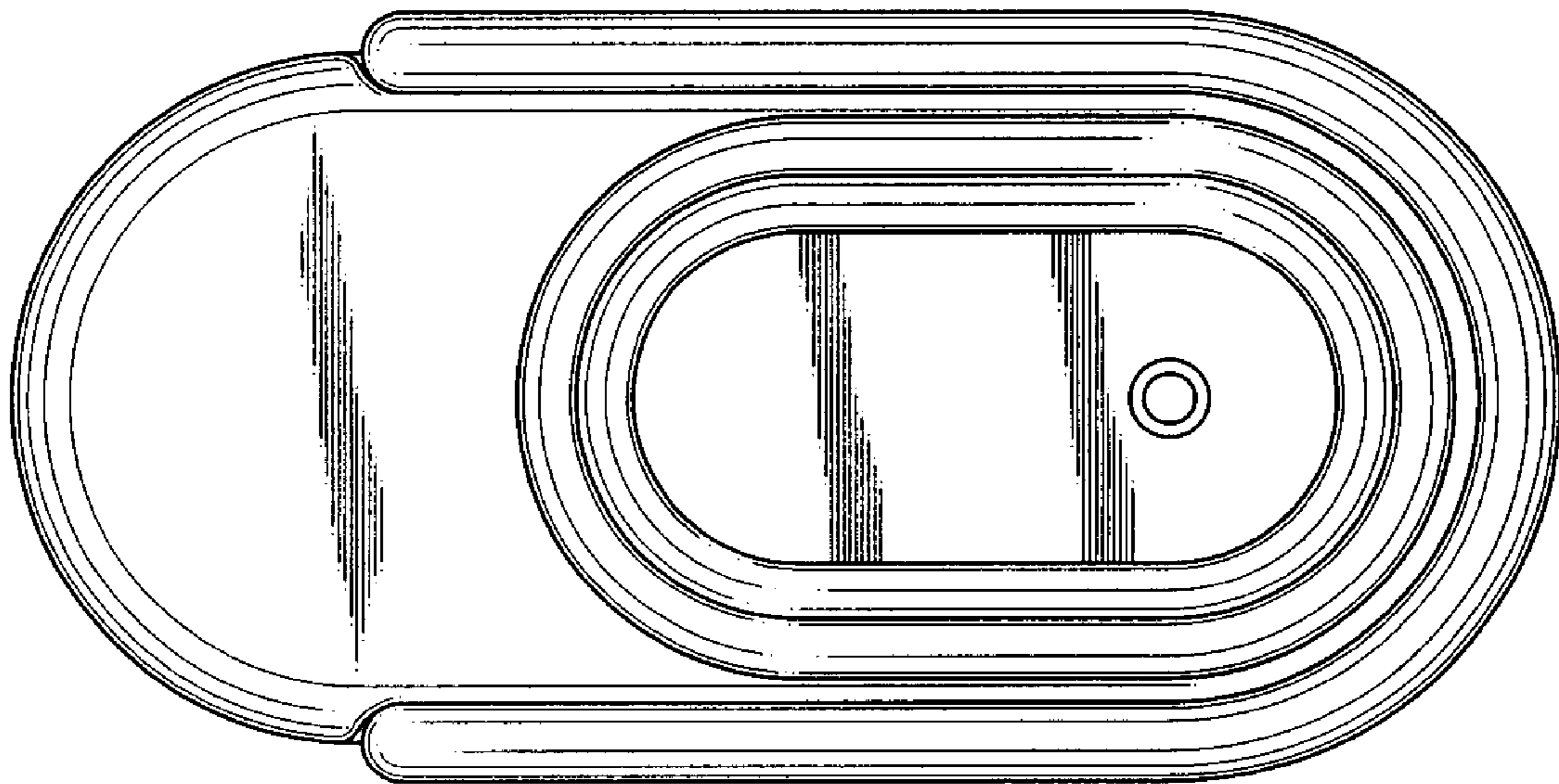


FIG.6

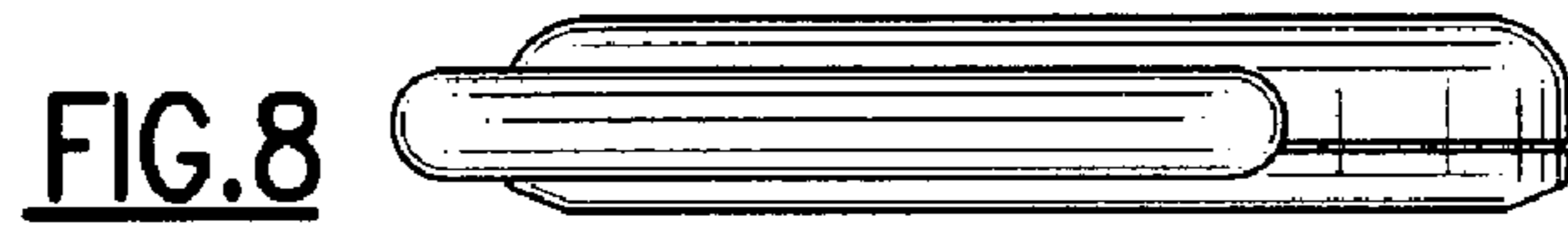


FIG.10

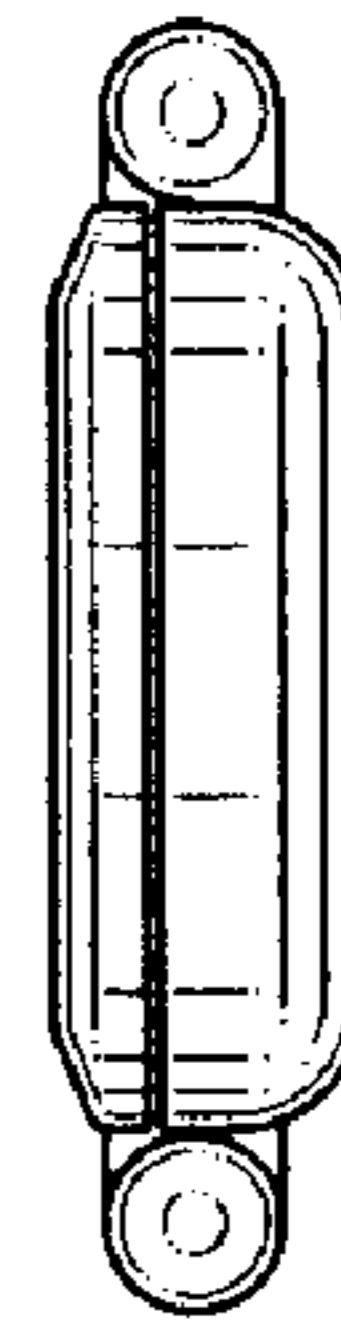
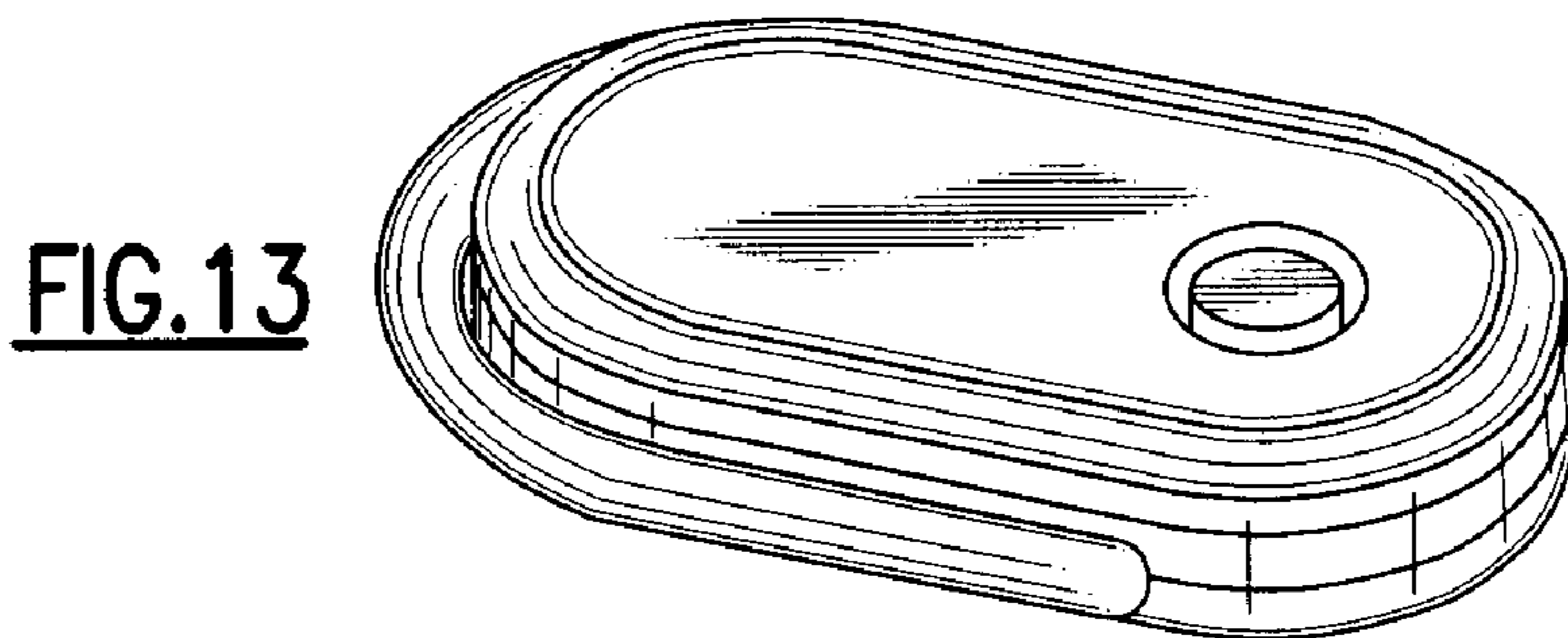
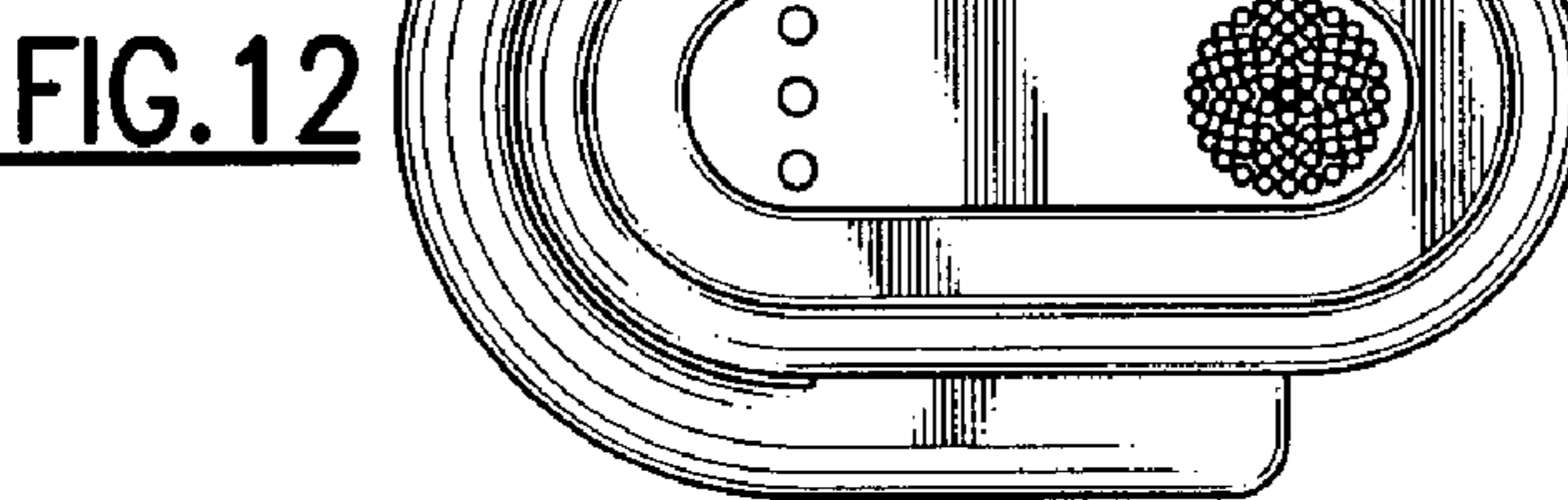
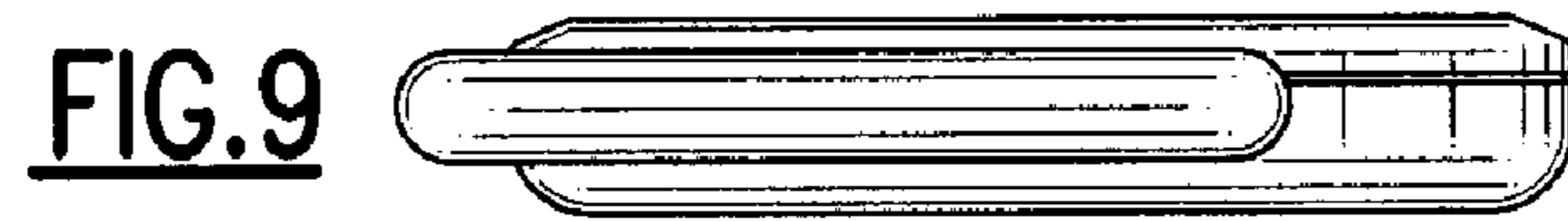
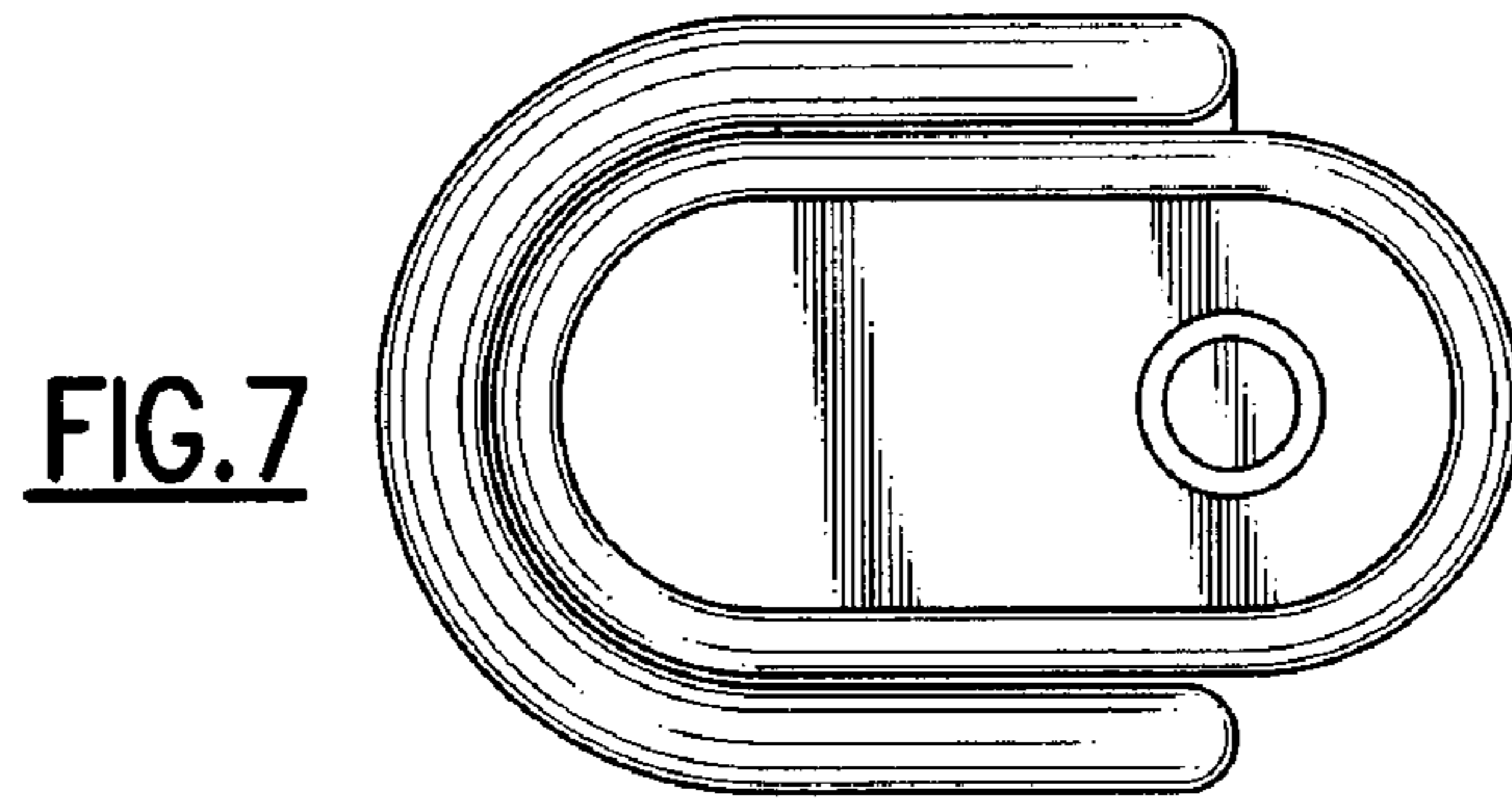


FIG.11

FIG.15

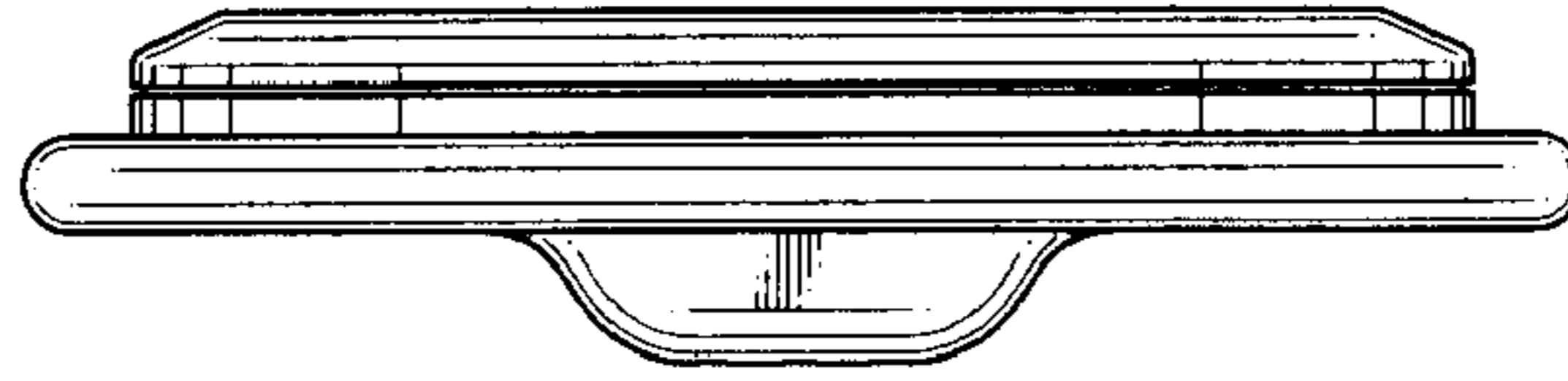


FIG.14

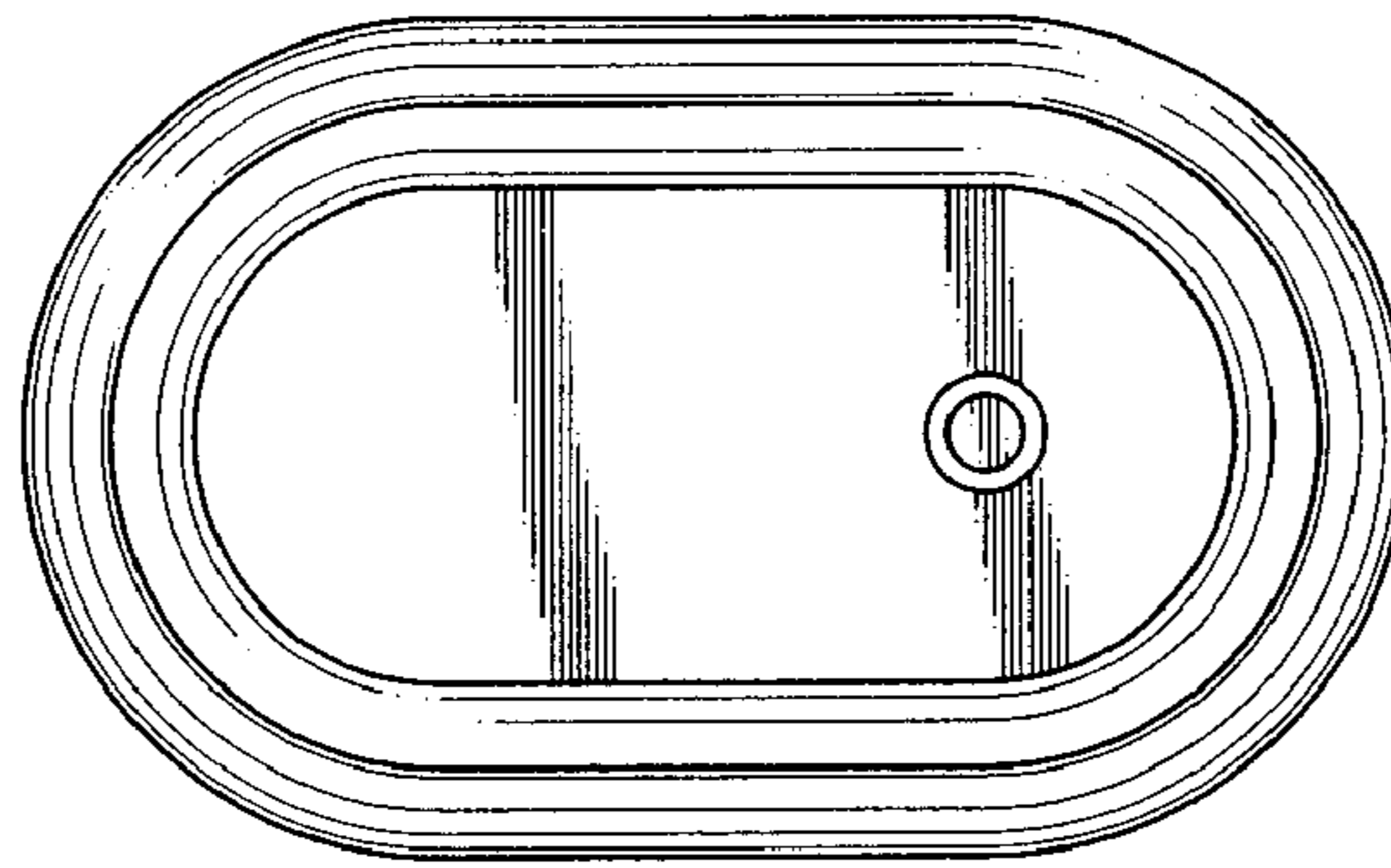


FIG.17

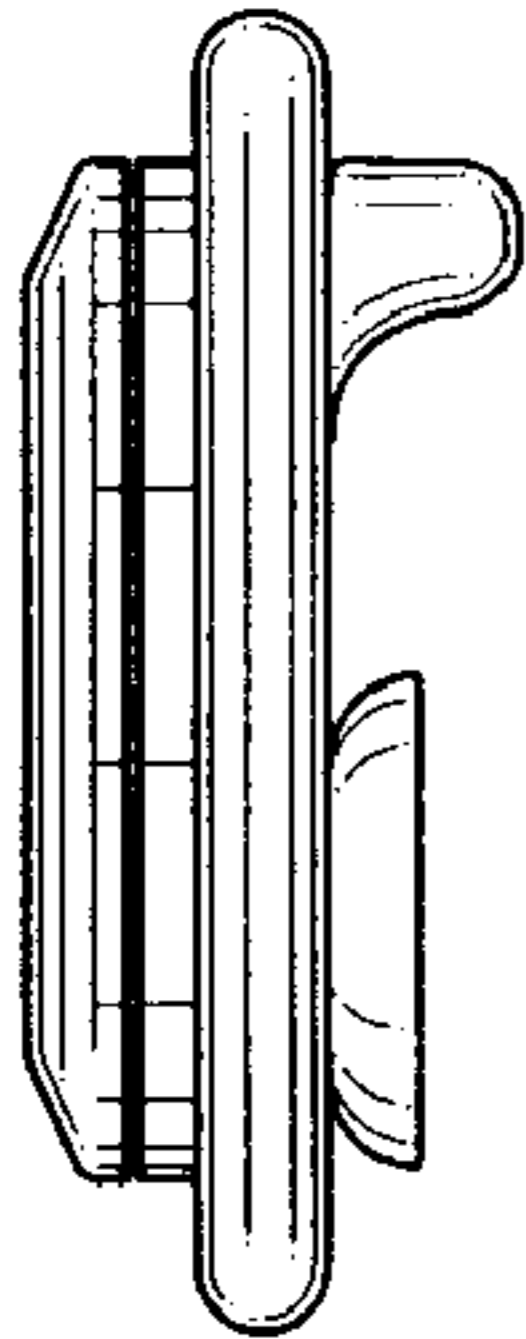


FIG.18

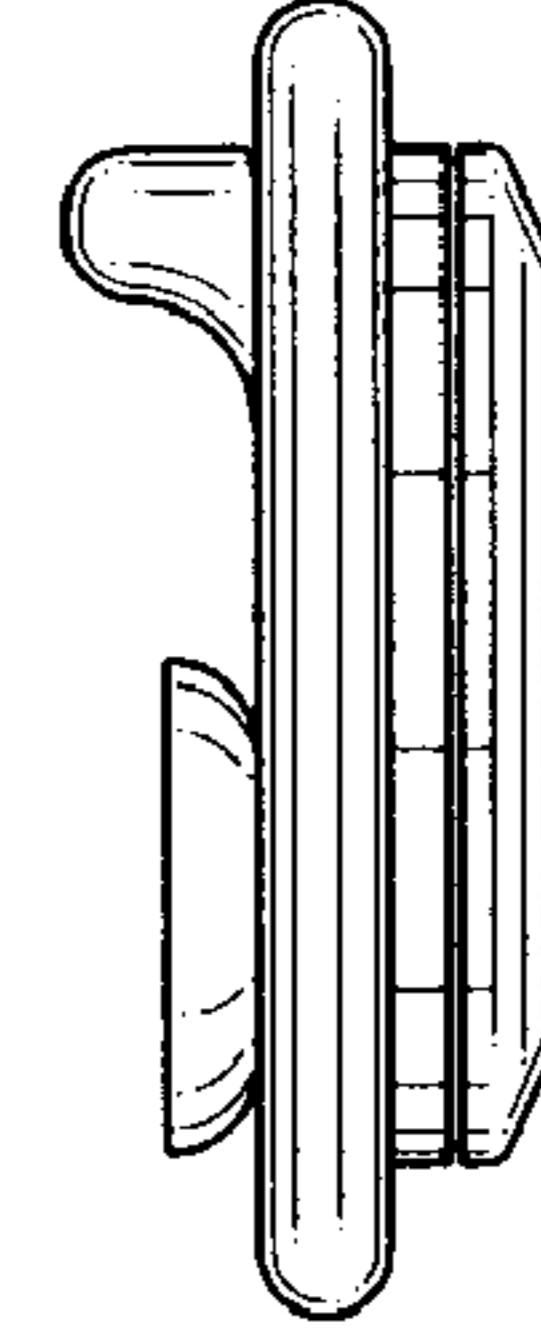


FIG.16

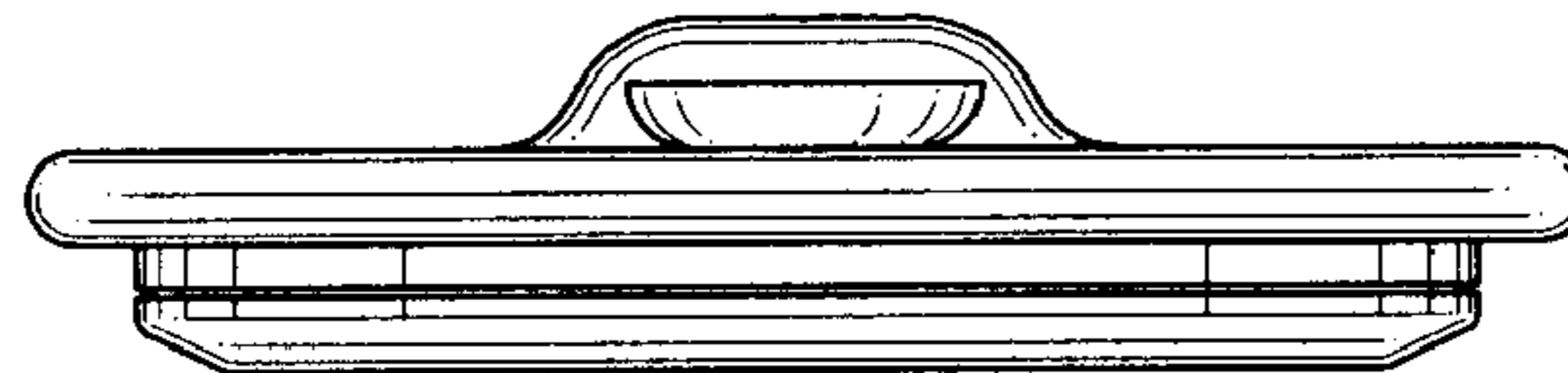


FIG.19

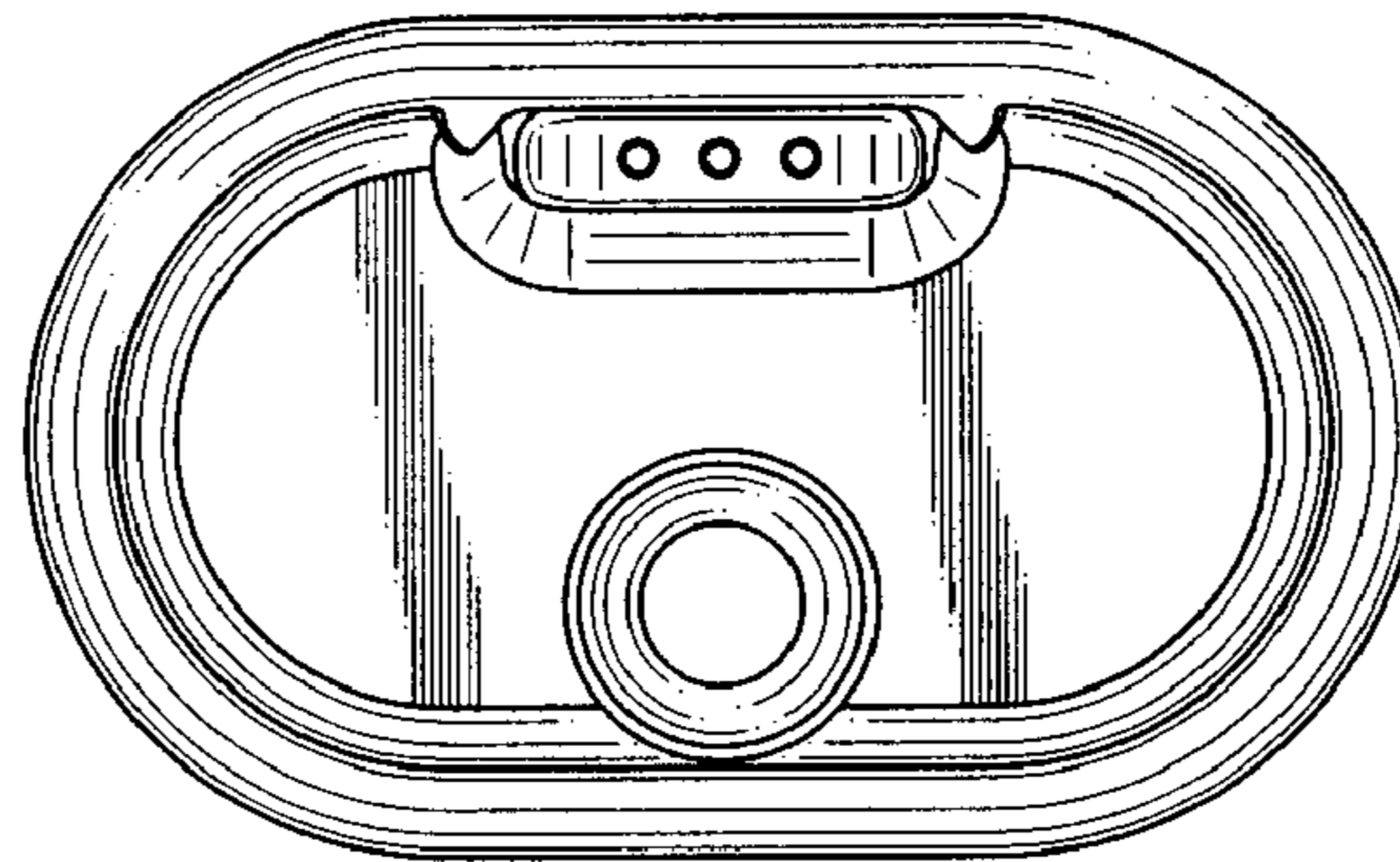
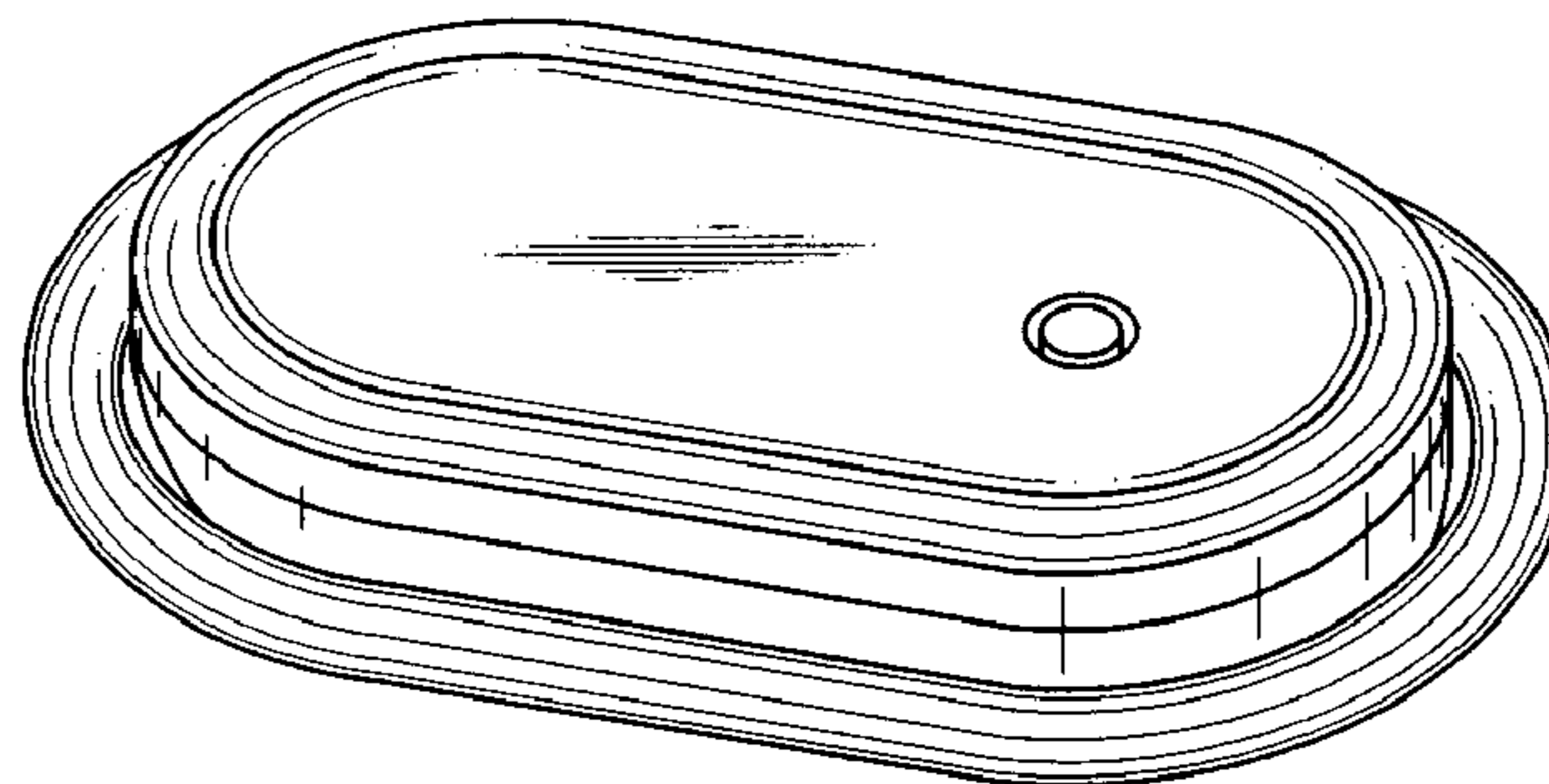


FIG.20



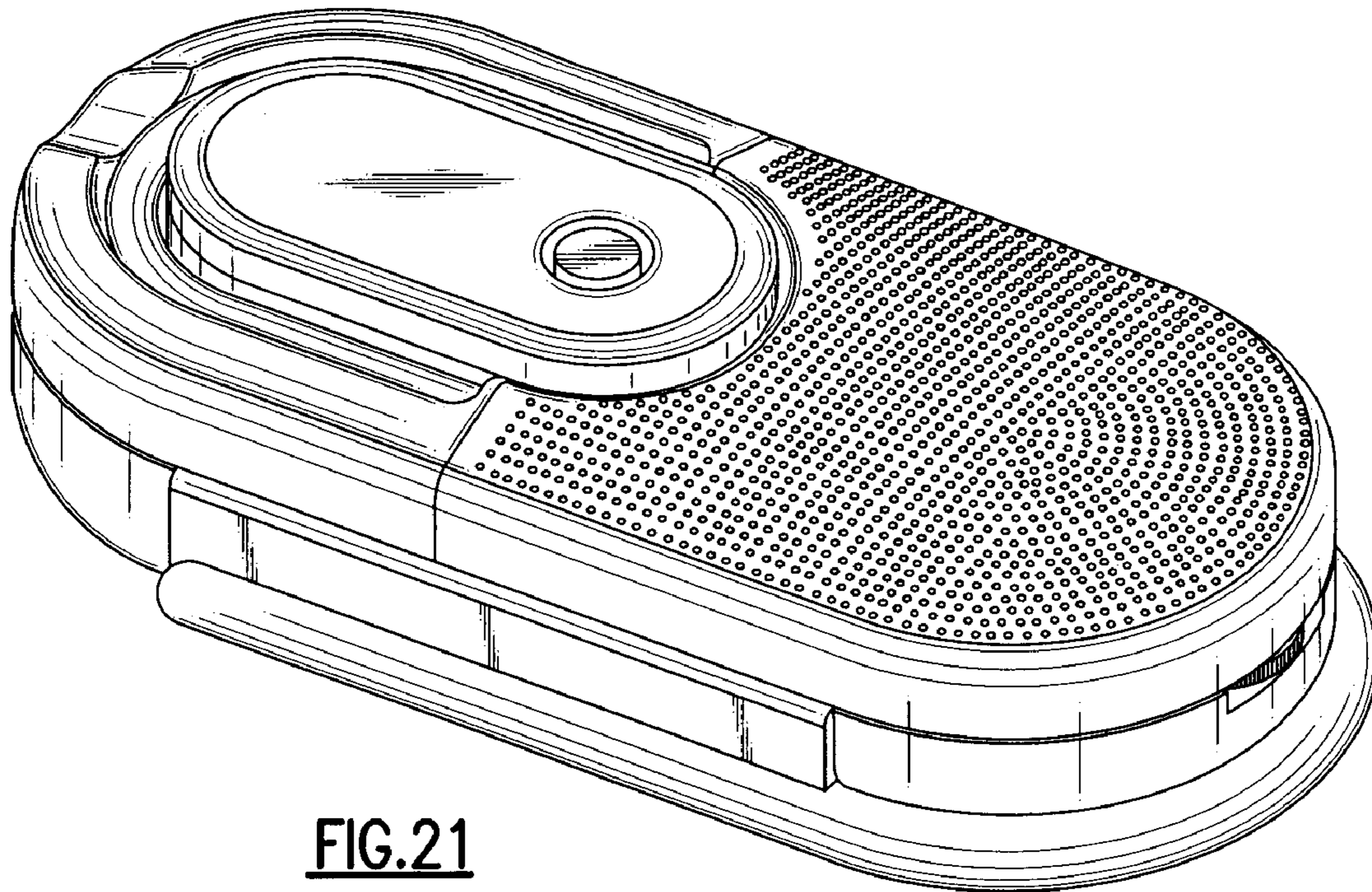


FIG. 21

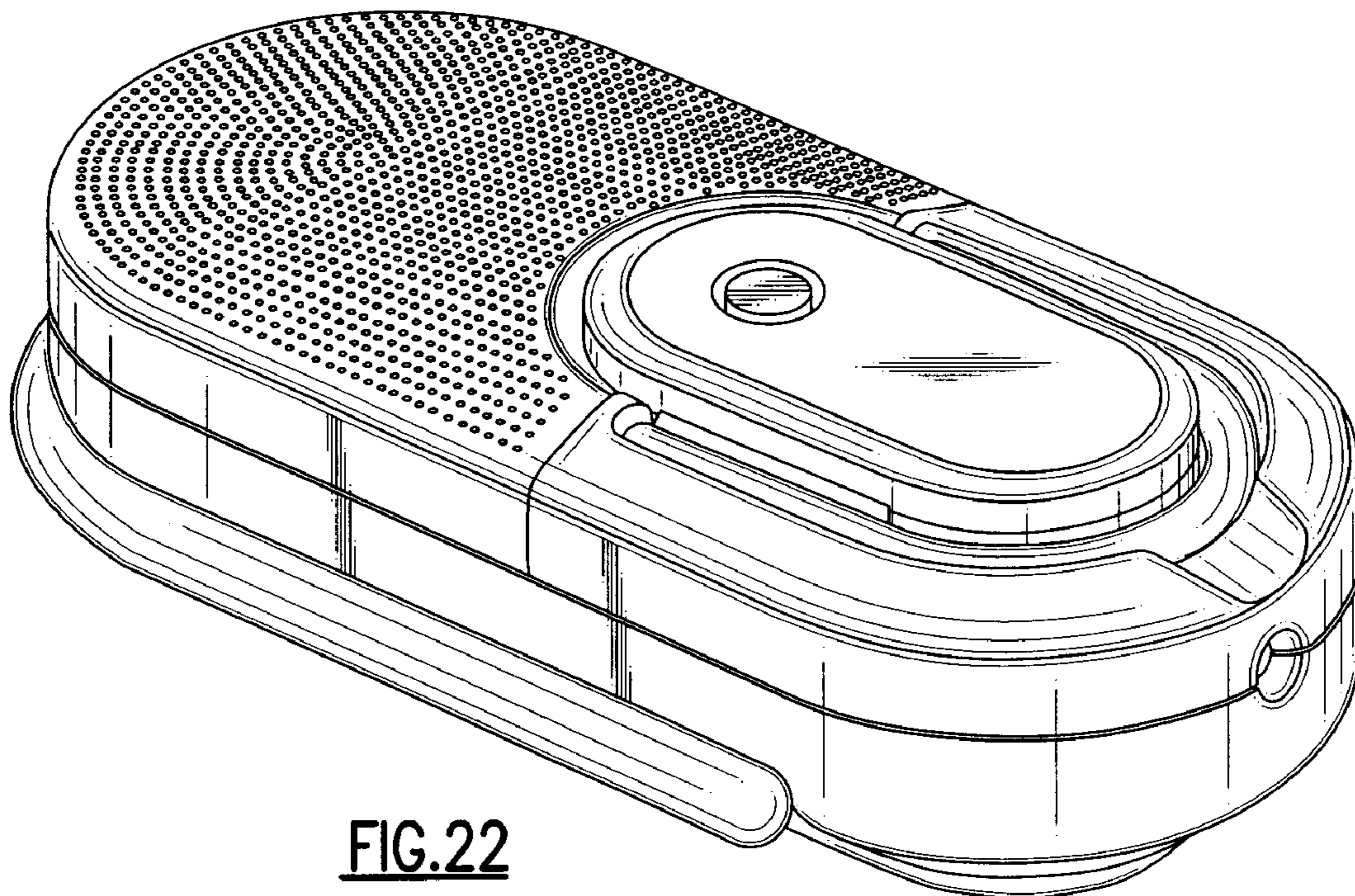


FIG. 22

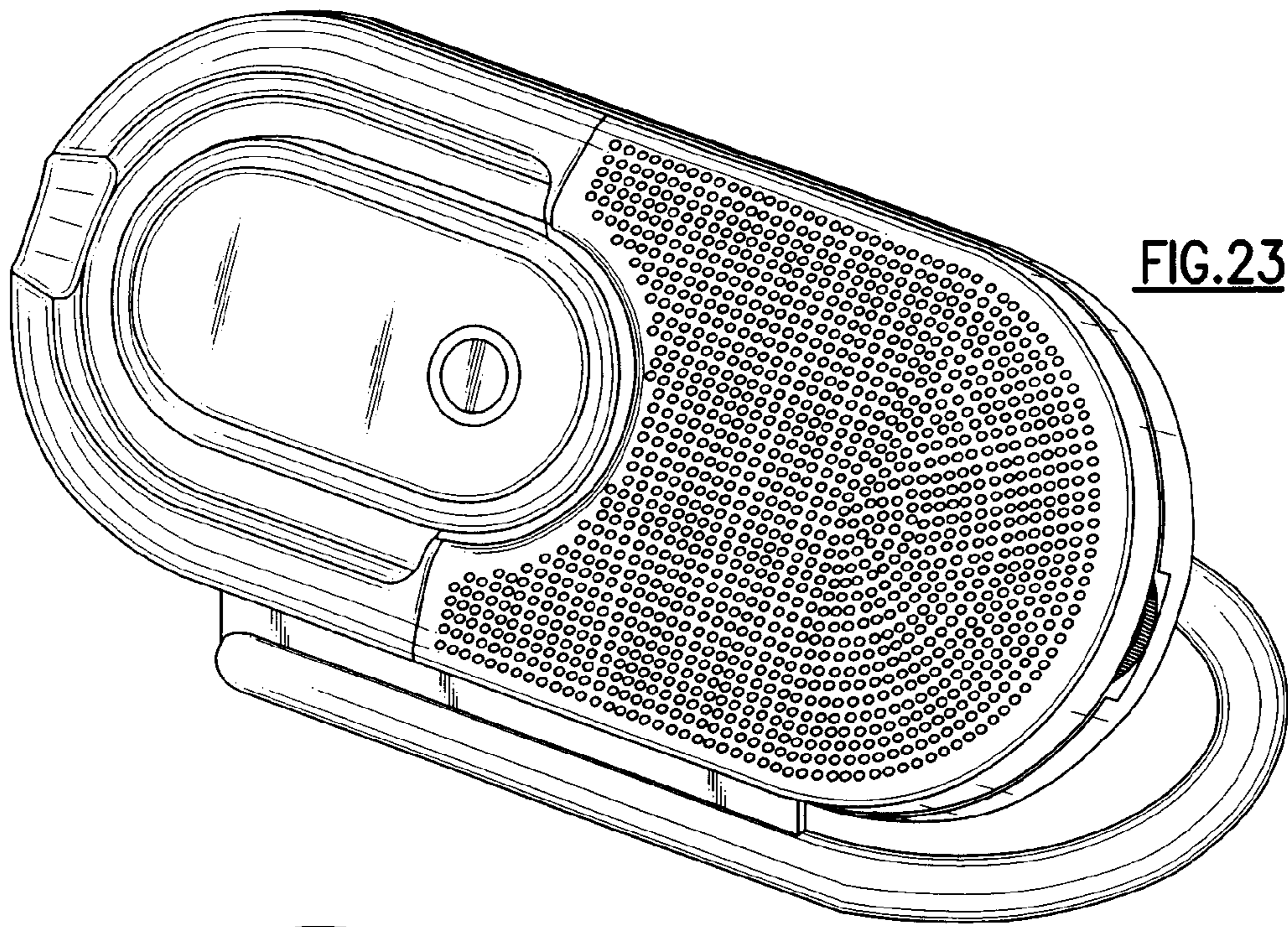


FIG. 23

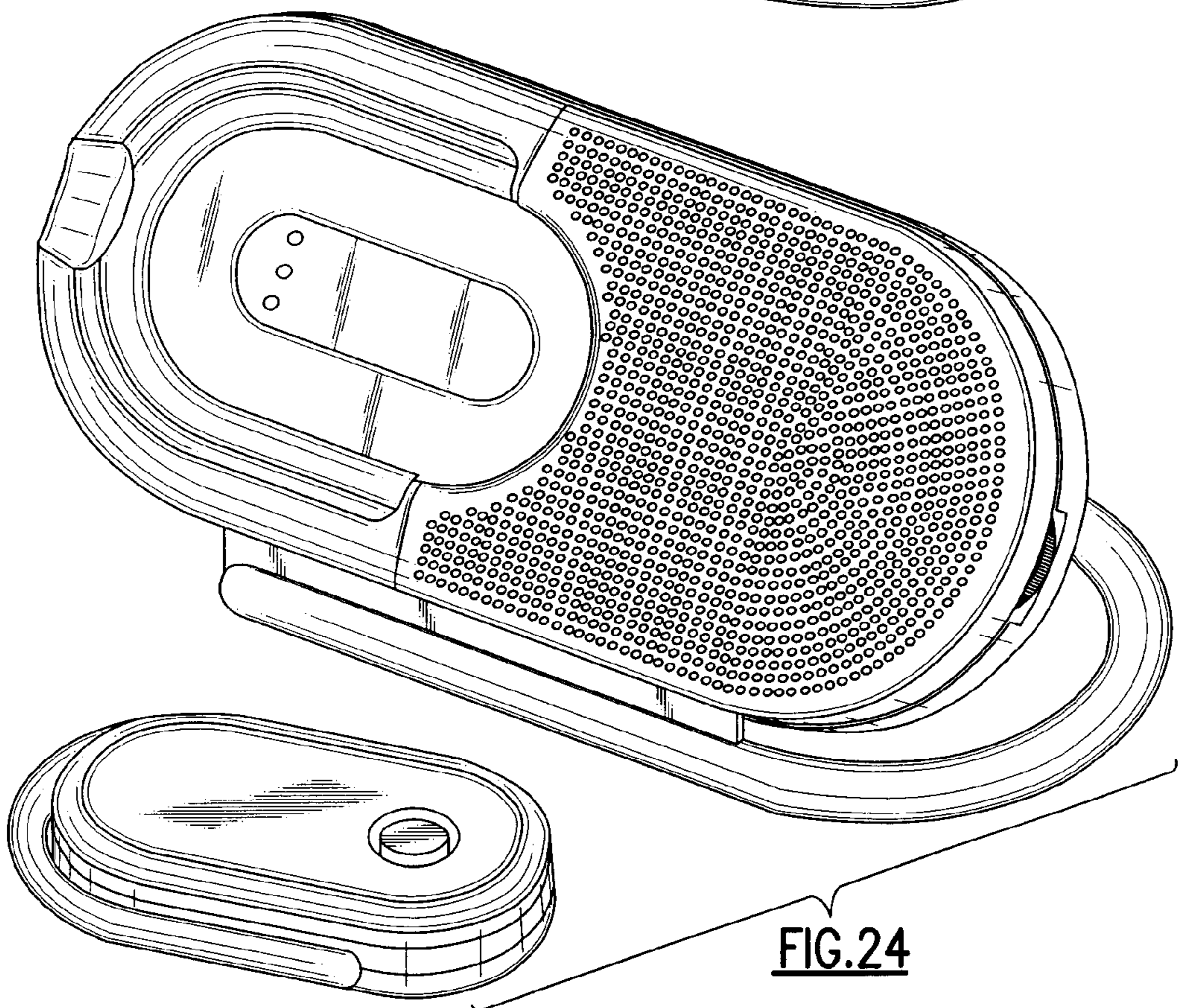


FIG. 24



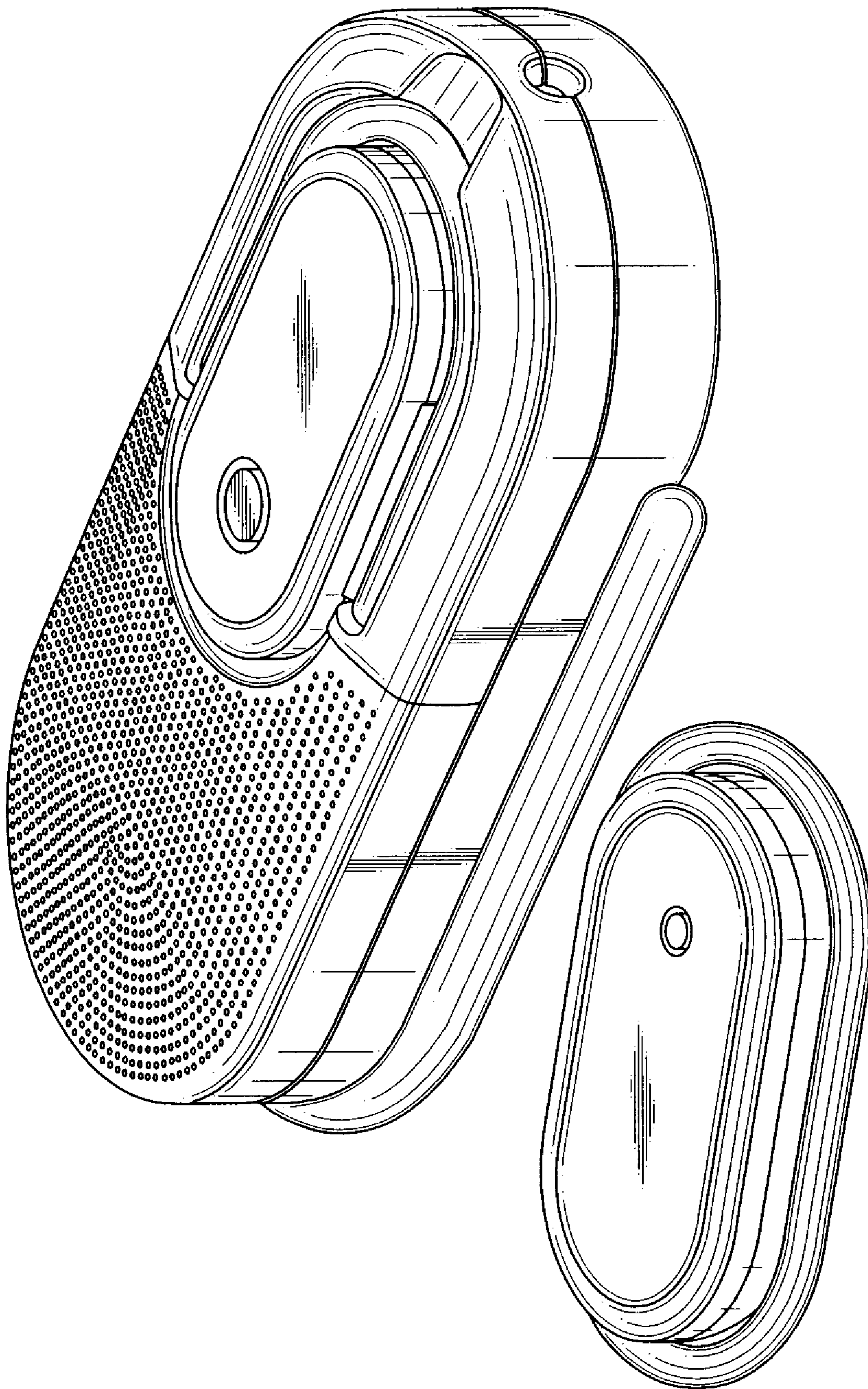


FIG. 25

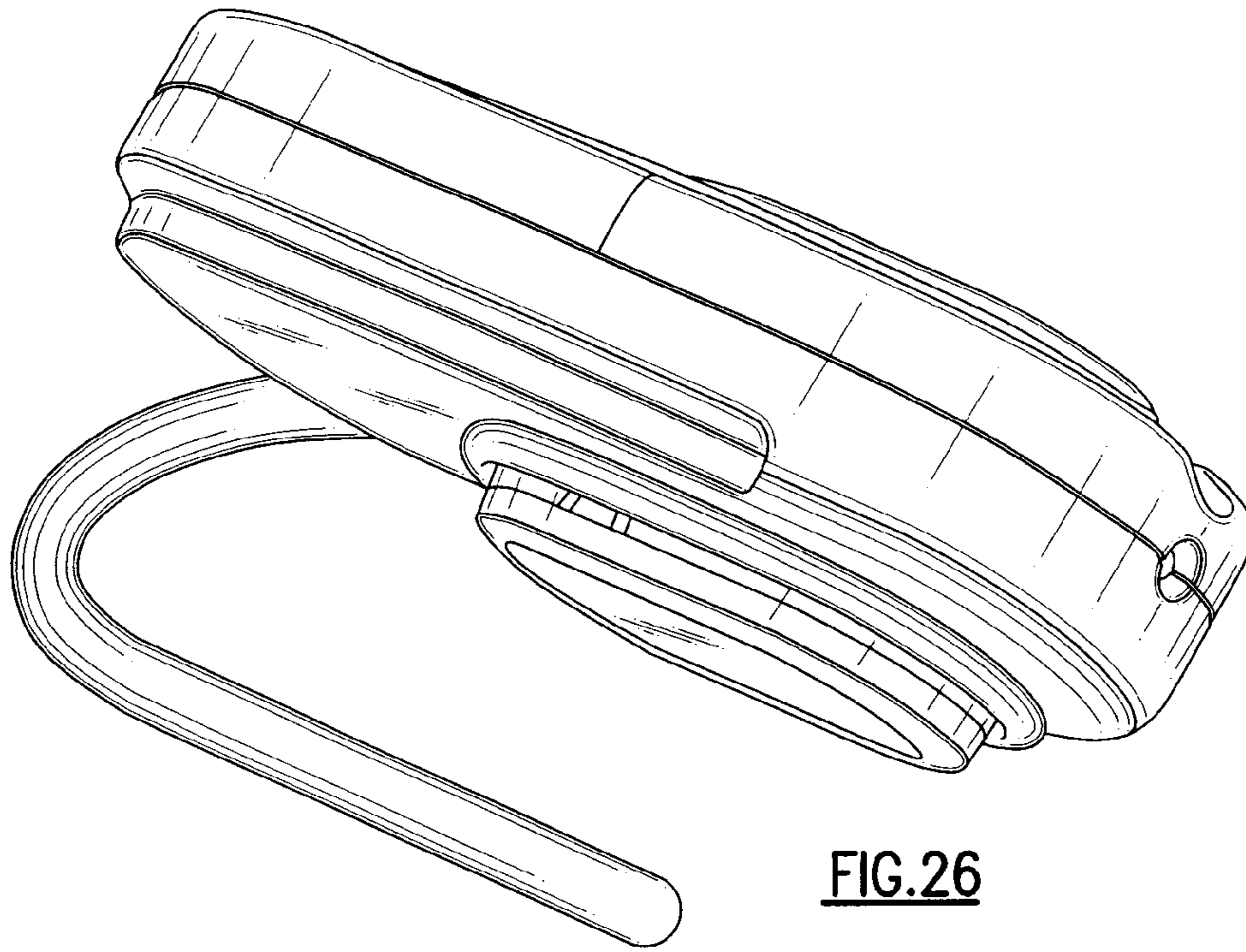


FIG.26

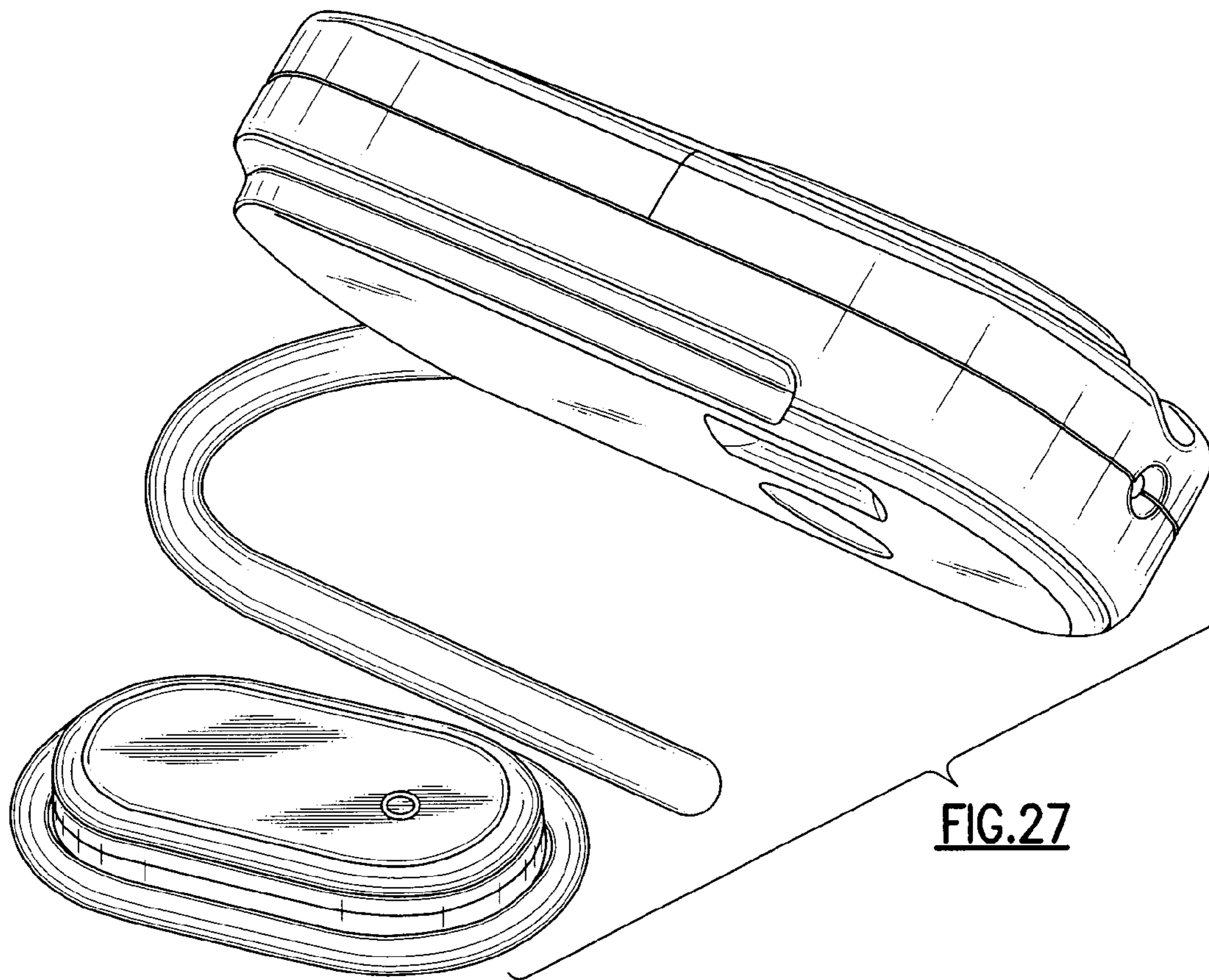


FIG.27