

US00D525959S

(12) **United States Design Patent**
Kim et al.

(10) **Patent No.:** **US D525,959 S**

(45) **Date of Patent:** **** Aug. 1, 2006**

(54) **CELLULAR PHONE**

(75) Inventors: **Hyun-Seop Kim**, Gunpo-si (KR);
Chang-Hwan Hwang, Goyang-si (KR)

(73) Assignee: **Samsung Electronics Co., Ltd.** (KR)

(**) Term: **14 Years**

(21) Appl. No.: **29/217,240**

(22) Filed: **Nov. 15, 2004**

(30) **Foreign Application Priority Data**

Jun. 23, 2004 (KR) 30-2004-0018792

(51) **LOC (8) Cl.** **14-03**

(52) **U.S. Cl.** **D14/138**

(58) **Field of Classification Search** D14/137,
D14/138, 147-148, 247-248, 144, 341-347;
379/433.01-433.13; 455/575.4, 566, 575.1,
455/556.1, 556.2, 90.3; D16/208

See application file for complete search history.

(56) **References Cited**

U.S. PATENT DOCUMENTS

D348,458 S	*	7/1994	Brown et al.	D14/138
D397,706 S	*	9/1998	Shibata	D16/202
D445,409 S	*	7/2001	Segers	D14/138
D455,137 S	*	4/2002	Wang	D14/138
D465,219 S	*	11/2002	Tamaki et al.	D14/346
D466,096 S	*	11/2002	Takada	D14/138
D477,596 S	*	7/2003	Hayes	D14/343
D495,695 S	*	9/2004	Yugaya	D14/346
D496,644 S	*	9/2004	Yoo et al.	D14/138
D496,645 S	*	9/2004	Yoo et al.	D14/138
D502,159 S	*	2/2005	Chan et al.	D14/138
D502,162 S	*	2/2005	Kim et al.	D14/138
D502,703 S	*	3/2005	Tsujimoto et al.	D14/346
D503,164 S	*	3/2005	Park et al.	D14/138
D508,240 S	*	8/2005	Lee et al.	D14/138
D508,473 S	*	8/2005	Lee et al.	D14/138
D508,688 S	*	8/2005	Lee et al.	D14/138
D509,215 S	*	9/2005	Han et al.	D14/343
D509,814 S	*	9/2005	Shin et al.	D14/138
6,980,840 B1	*	12/2005	Kim et al.	455/575.4

D513,741 S	*	1/2006	Jensfelt	D14/138
D515,060 S	*	2/2006	Lee et al.	D14/138
2003/0064688 A1	*	4/2003	Mizuta et al.	455/90
2005/0009581 A1	*	1/2005	Im et al.	455/575.4
2005/0107126 A1	*	5/2005	Kim	455/565
2005/0124394 A1	*	6/2005	Kim et al.	455/575.3
2005/0176479 A1	*	8/2005	Bae et al.	455/575.4
2005/0215298 A1	*	9/2005	Lee	455/575.4
2005/0245297 A1	*	11/2005	Lee	455/575.4
2005/0250532 A1	*	11/2005	Hwang et al.	455/550.1
2005/0255897 A1	*	11/2005	Lee et al.	455/575.4
2006/0025184 A1	*	2/2006	Cho et al.	455/575.4

OTHER PUBLICATIONS

VK Mobile VK610 telephone, announced third quarter 2004, [online], [retrieved on Feb. 13, 2006]. Retrieved from Internet , <URL:http://www.gsmarena.com>.*

LG M6100 telephone, announced Jan. 2006, [online], [retrieved on Feb. 24, 2006]. Retrieved from Internet , <URL:http://www.gsmarena.com>.*

Samsung E880 telephone, announced first quarter 2005, [online], [retrieved on Feb. 26, 2006]. Retrieved from Internet , <URL:http://www.gsmarena.com>.*

* cited by examiner

Primary Examiner—Jeffrey Asch

(74) *Attorney, Agent, or Firm*—Cantor Colburn LLP

(57) **CLAIM**

We claim, the ornamental design for a cellular phone, as shown and described.

DESCRIPTION

FIG. 1 is a top and front perspective view of a cellular phone, showing our new design;

FIG. 2 is a front elevational view thereof;

FIG. 3 is a rear elevational view thereof;

FIG. 4 is a left side elevational view thereof;

FIG. 5 is a right side elevational view thereof;

FIG. 6 is a top elevational view thereof;

FIG. 7 is a bottom elevational view thereof; and,

FIG. 8 is a front perspective view thereof, the cellular phone being in an alternate position.

1 Claim, 3 Drawing Sheets

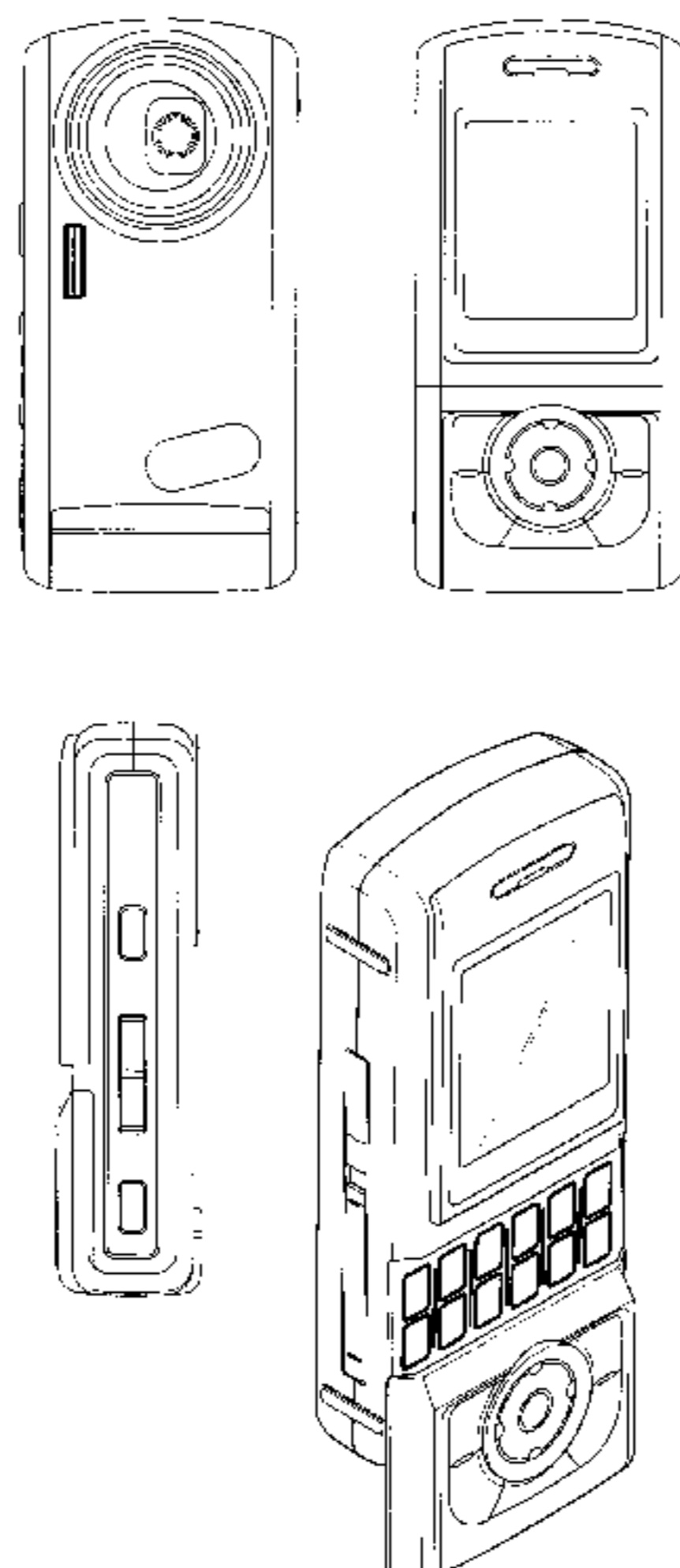


FIG. 1

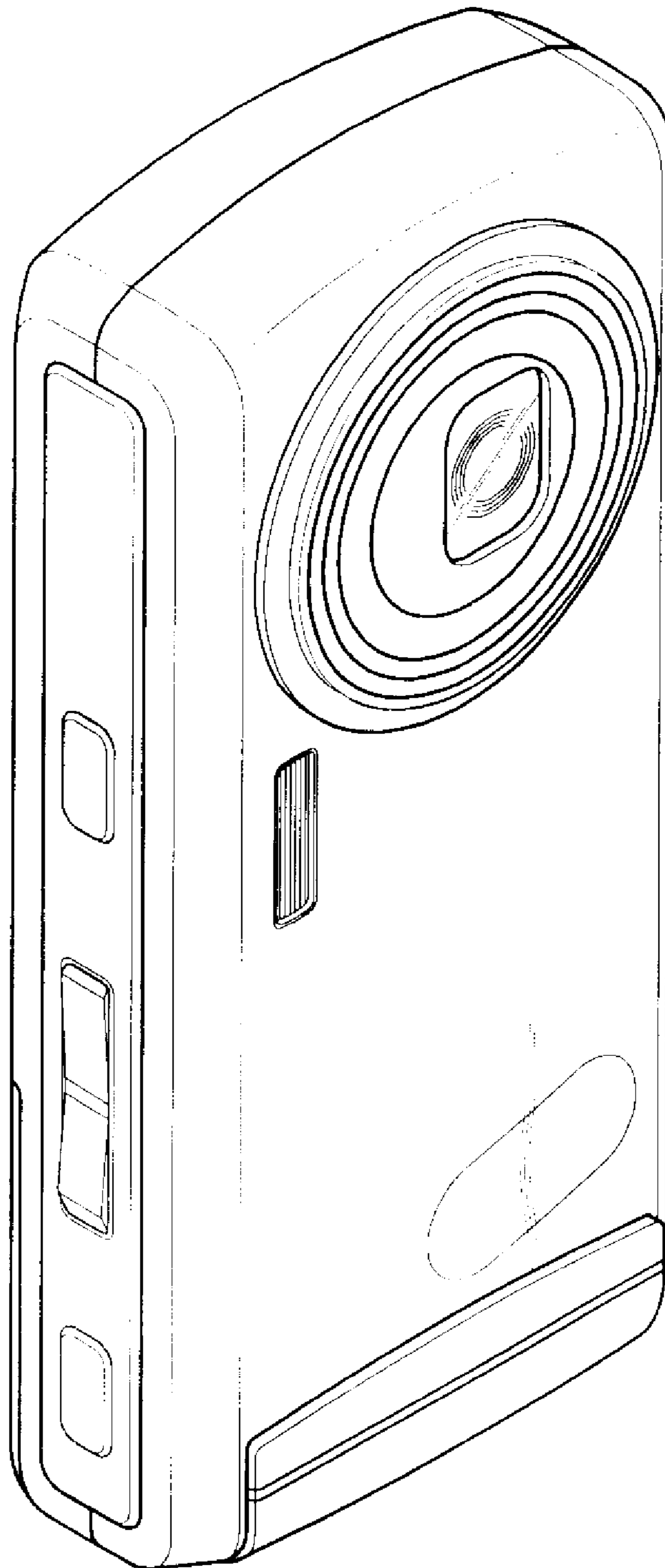


FIG.2

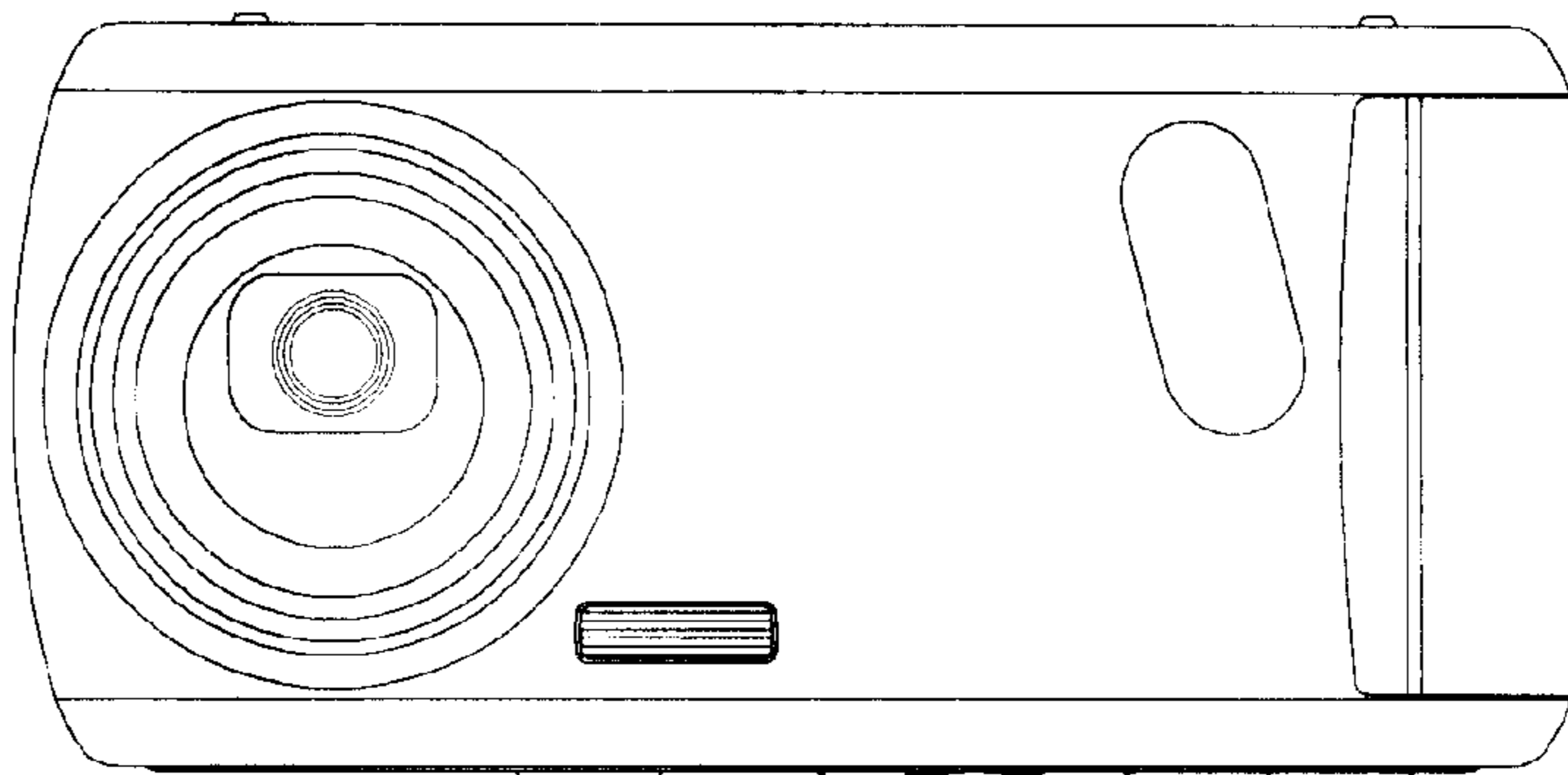


FIG.3

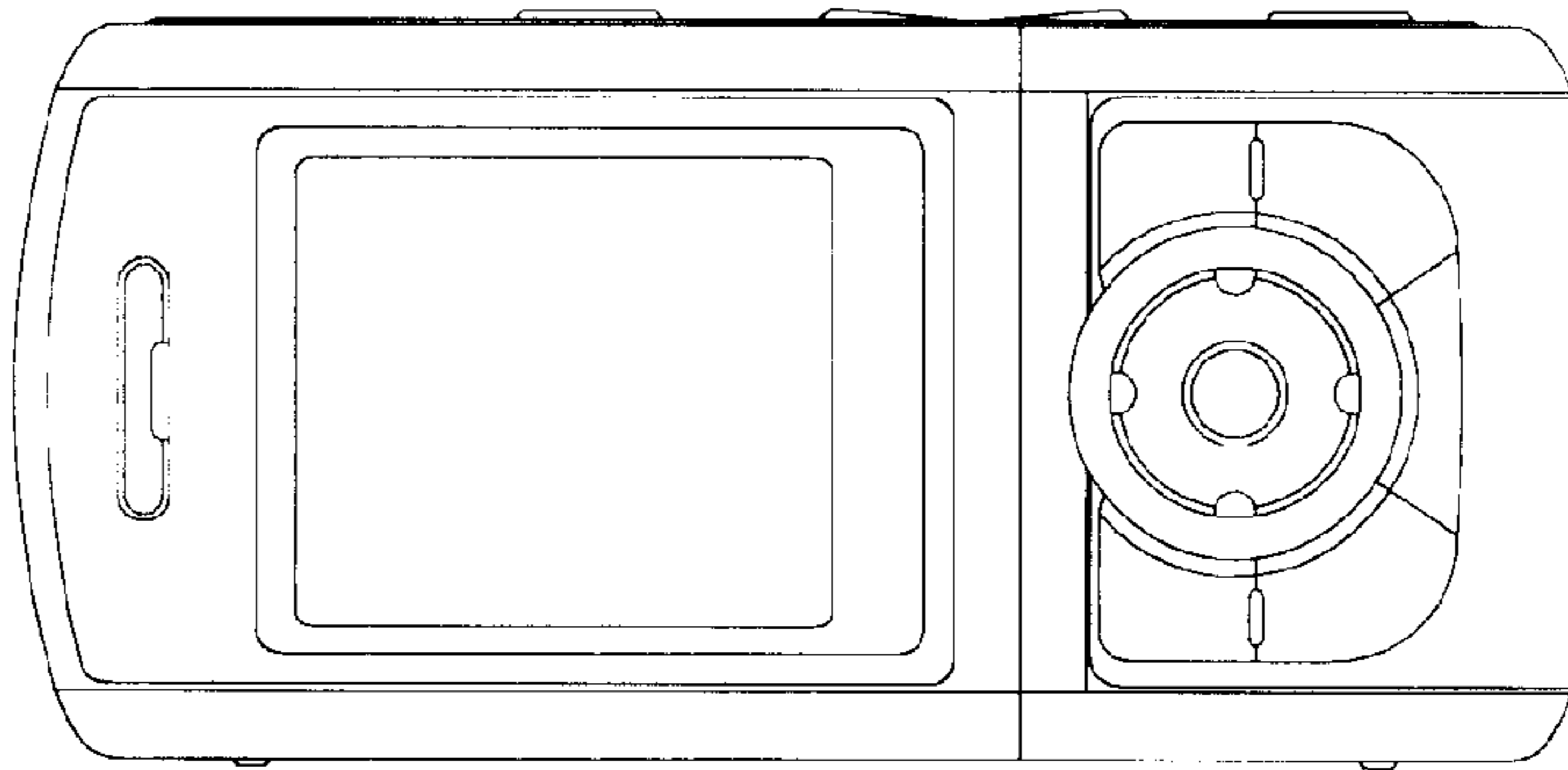


FIG.4

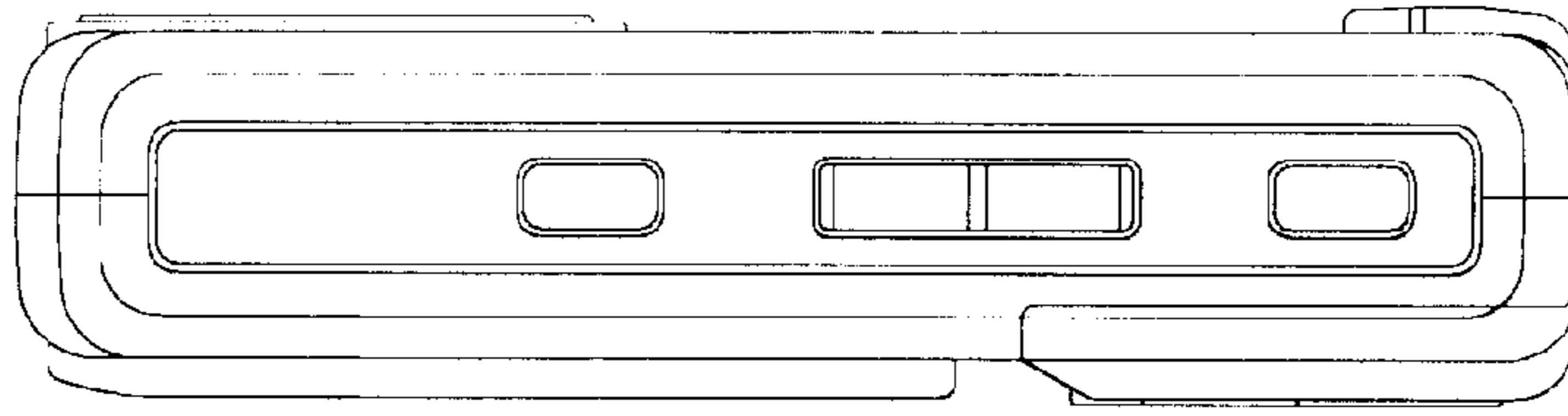


FIG.5

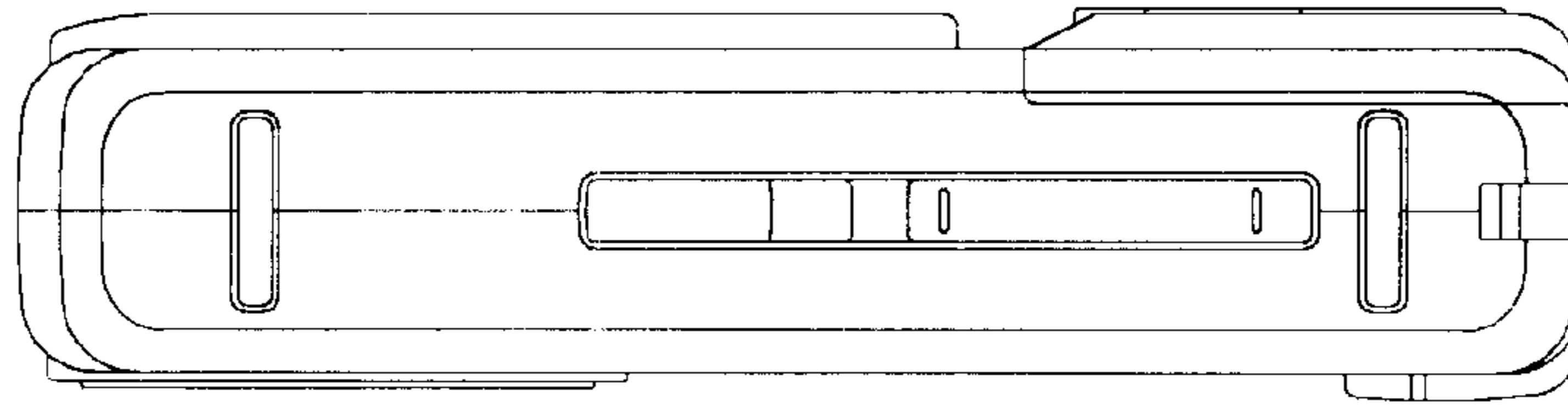


FIG. 6

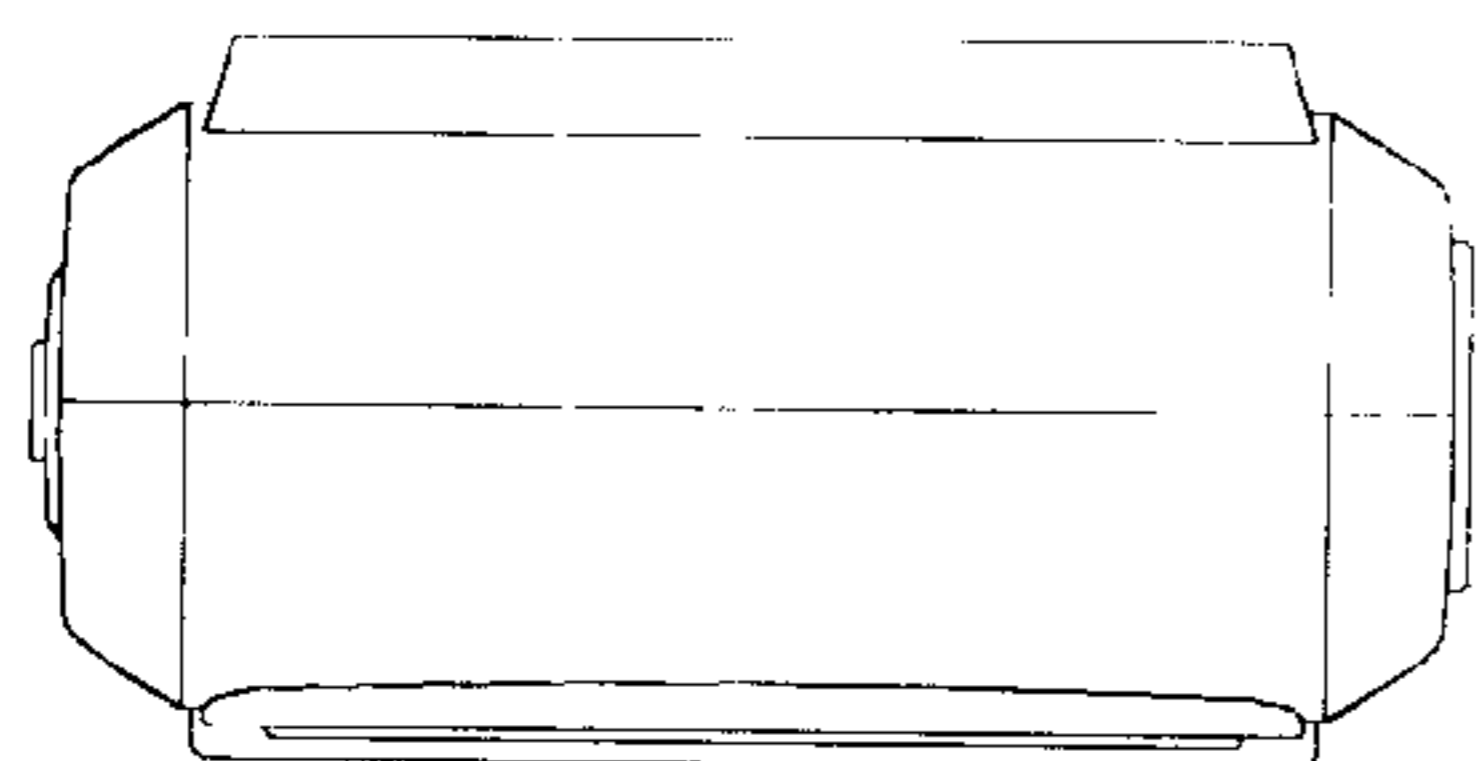


FIG. 7

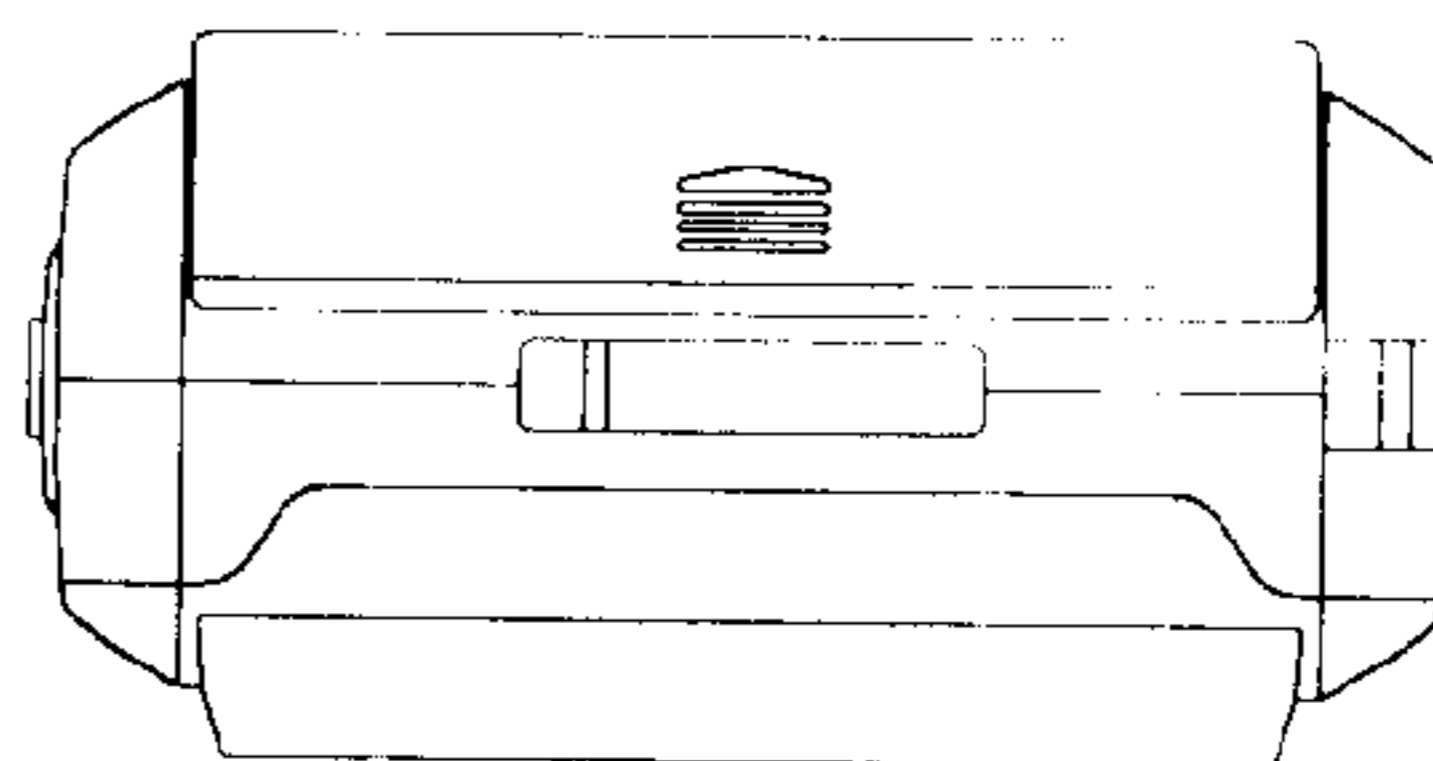


FIG. 8

