



US00D525958S

(12) **United States Design Patent**
Kwon et al.

(10) **Patent No.:** **US D525,958 S**

(45) **Date of Patent:** **** *Aug. 1, 2006**

(54) **COMPLEX IMAGE PLAYER**

(75) Inventors: **Young-Sam Kwon**, Seoul (KR);
Won-Gab Byun, Seoul (KR)

(73) Assignee: **Samsung Electronics Co., Ltd.**,
Kyunggi-do (KR)

(*) Notice: This patent is subject to a terminal disclaimer.

(**) Term: **14 Years**

(21) Appl. No.: **29/228,033**

(22) Filed: **Apr. 19, 2005**

(51) **LOC (8) Cl.** **14-01**

(52) **U.S. Cl.** **D14/136**

(58) **Field of Classification Search** D14/135-136,
D14/156-157, 160-165, 167-168, 192-198,
D14/188, 217, 257, 258, 445; 360/99.02,
360/99.07; 369/75.11, 75.21, 77.21, 77.11;
720/612, 619, 647, 655; 455/344, 347-351

See application file for complete search history.

(56) **References Cited**

U.S. PATENT DOCUMENTS

D297,931 S * 10/1988 Yonezawa et al. D14/135
D323,163 S * 1/1992 Katayama D14/135
D345,156 S * 3/1994 Ishibashi et al. D14/135
D387,755 S * 12/1997 Shintani D14/135

(Continued)

OTHER PUBLICATIONS

U.S. Appl. No. 29/217,942, Applicant: Young-Sam Kwon,
et al., filed Nov. 23, 2004 entitled Complex Image Player.
U.S. Appl. No. 29/217,943, Applicant: Bong-Chan Ko, et
al., filed Nov. 23, 2004 entitled Complex Image Player.
U.S. Appl. No. 29/217,940, Applicant: Young-Sam Kwon,
et al., filed Nov. 23, 2004 entitled Complex Image Player.
U.S. Appl. No. 29/217,946, Applicant: Young-Sam Kwon,
et al., filed Nov. 23, 2004 entitled DVD Player.

U.S. Appl. No. 29/217,945, Applicant: Young-Sam Kwon,
et al., filed Nov. 23, 2004 entitled Double-Deck DVD
Recorder.

U.S. Appl. No. 29/217,947, Applicant: Young-Sam Kwon,
et al., filed Nov. 23, 2004 entitled Complex Image Player.

U.S. Appl. No. 29/226,437, Applicant: Min-Geun Kim, et
al., filed Mar. 29, 2005 entitled Digital Video Recorder.

U.S. Appl. No. 29/228,009, Applicant: Han Kim, et al., filed
Apr. 19, 2005 entitled Complex Image Player.

U.S. Appl. No. 29/228,003, Applicant: Hyun-Teak Lim, et
al., filed Apr. 19, 2005 entitled DVD Recorder.

U.S. Appl. No. 29/228,001, Applicant: Hyun-Teak Lim,
filed Apr. 19, 2005 entitled DVD Recorder.

U.S. Appl. No. 29/228,005, Applicant: Han Kim, et al., filed
Apr. 19, 2005 entitled Complex Image Player.

U.S. Appl. No. 29/228,023, Applicant: Han Kim, et al., filed
Apr. 19, 2005 entitled Blu-Ray Player.

U.S. Appl. No. 29/228,020, Applicant: Hyun-Teak Lim,
filed Apr. 19, 2005 entitled DVD Recorder.

U.S. Appl. No. 29/228,006, Applicant: Han Kim, et al., filed
Apr. 19, 2005 entitled Complex Image Player.

(Continued)

Primary Examiner—Nanda Bondade

(74) *Attorney, Agent, or Firm*—Fynn, Thiel, Boutell &
Tanis, P.C.

(57) **CLAIM**

The ornamental design for a complex image player, as
shown and described.

DESCRIPTION

FIG. 1 is a top front perspective view of a complex image
player showing our new design.

FIG. 2 is a front elevational view thereof.

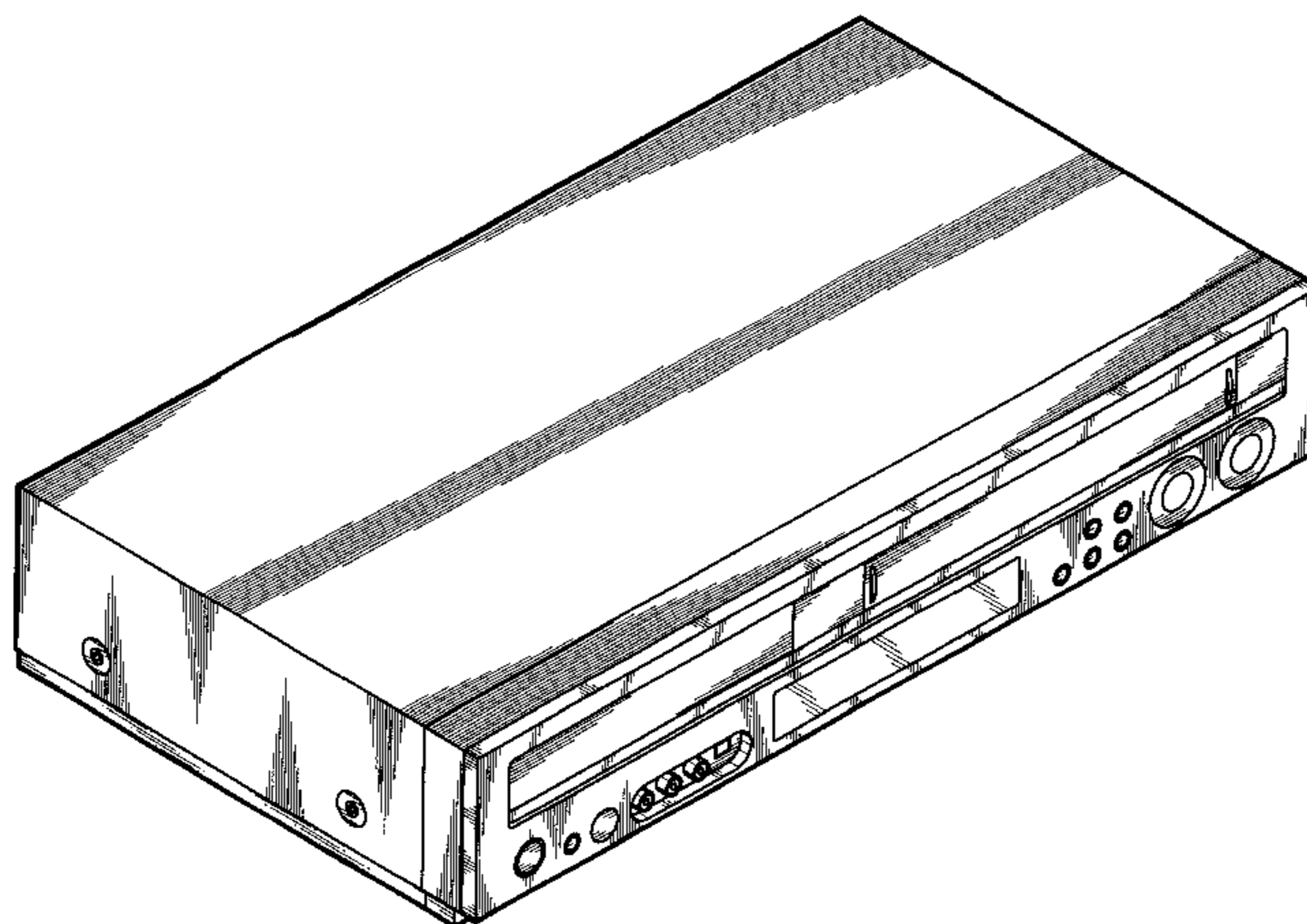
FIG. 3 is a rear elevational view thereof.

FIG. 4 is a left side elevational view thereof, the right side
view being a mirror image.

FIG. 5 is a top plan view thereof; and,

FIG. 6 is a bottom plan view thereof.

1 Claim, 4 Drawing Sheets



U.S. PATENT DOCUMENTS

D439,228 S * 3/2001 Tsuge D14/136
D476,305 S * 6/2003 Orihara et al. D14/168

OTHER PUBLICATIONS

U.S. Appl. No. 29/228,036, Applicant: Young-Sam Kwon,
et al., filed Apr. 19, 2005 entitled Complex Image Player.
U.S. Appl. No. 29/227,995, Applicant: Hyun-Teak Lim, et
al., filed Apr. 19, 2005 entitled DVD Player.

U.S. Appl. No. 29/228,002, Applicant: Hyun-Teak Lim,
filed Apr. 19, 2005 entitled Blu-Ray Player.

U.S. Appl. No. 29/228,008, Applicant: Young-Sam Kwon,
et al., filed Apr. 19, 2005 entitled Complex Image Player.

U.S. Appl. No. 29/228,011, Applicant: Young-Sam Kwon,
et al., filed Apr. 19, 2005 entitled Complex Image Player.

U.S. Appl. No. 29/228,000, Applicant: Young-Sam Kwon,
et al., filed Apr. 19, 2005 entitled DVD Player.

* cited by examiner

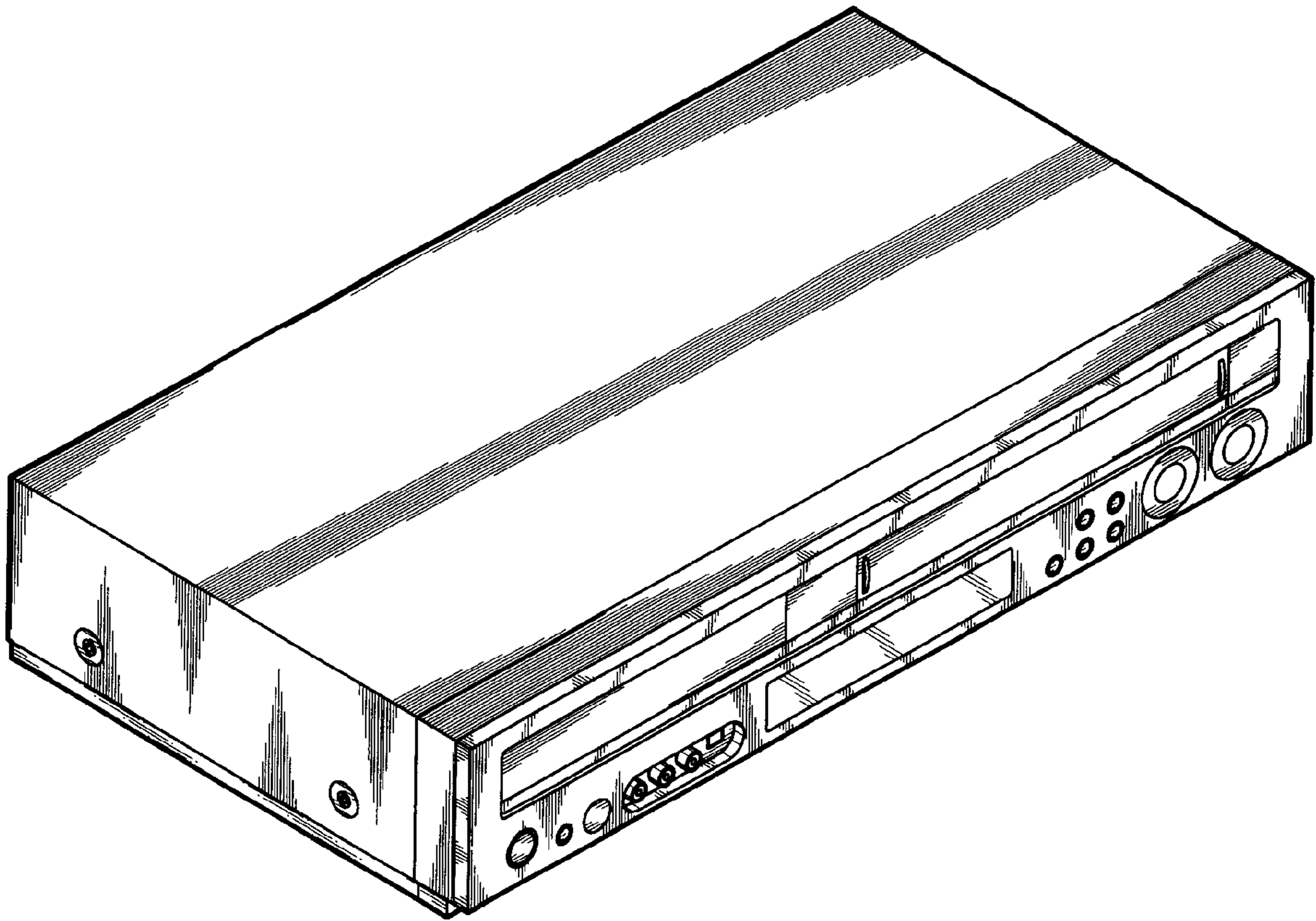


FIG. 1

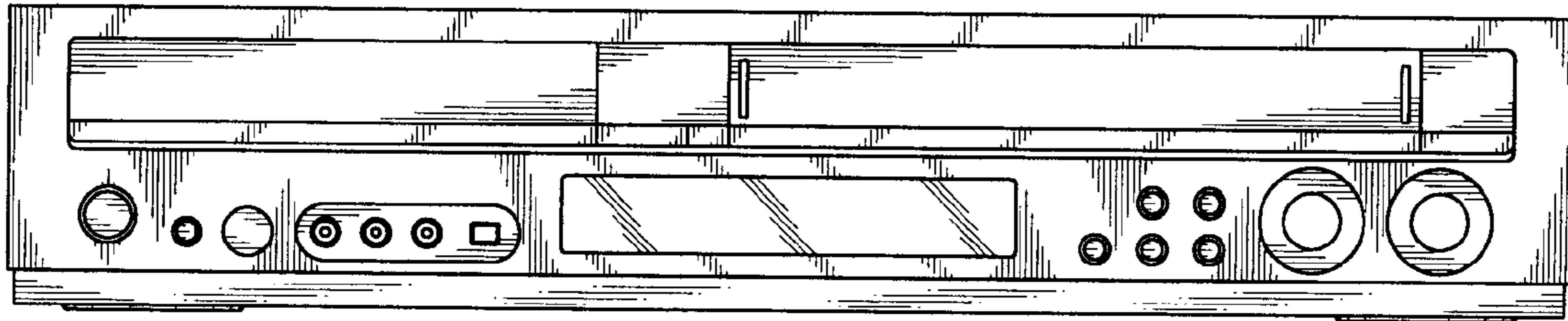


FIG. 2

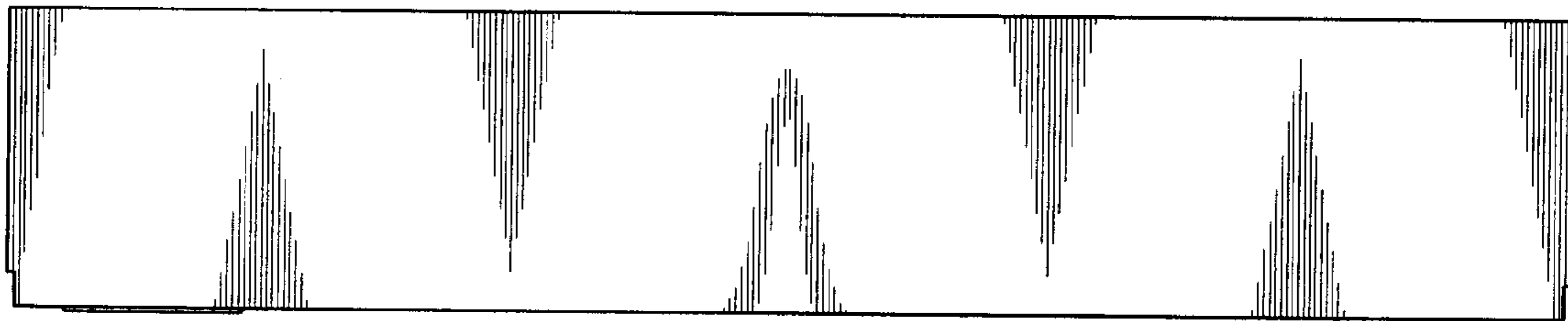


FIG. 3

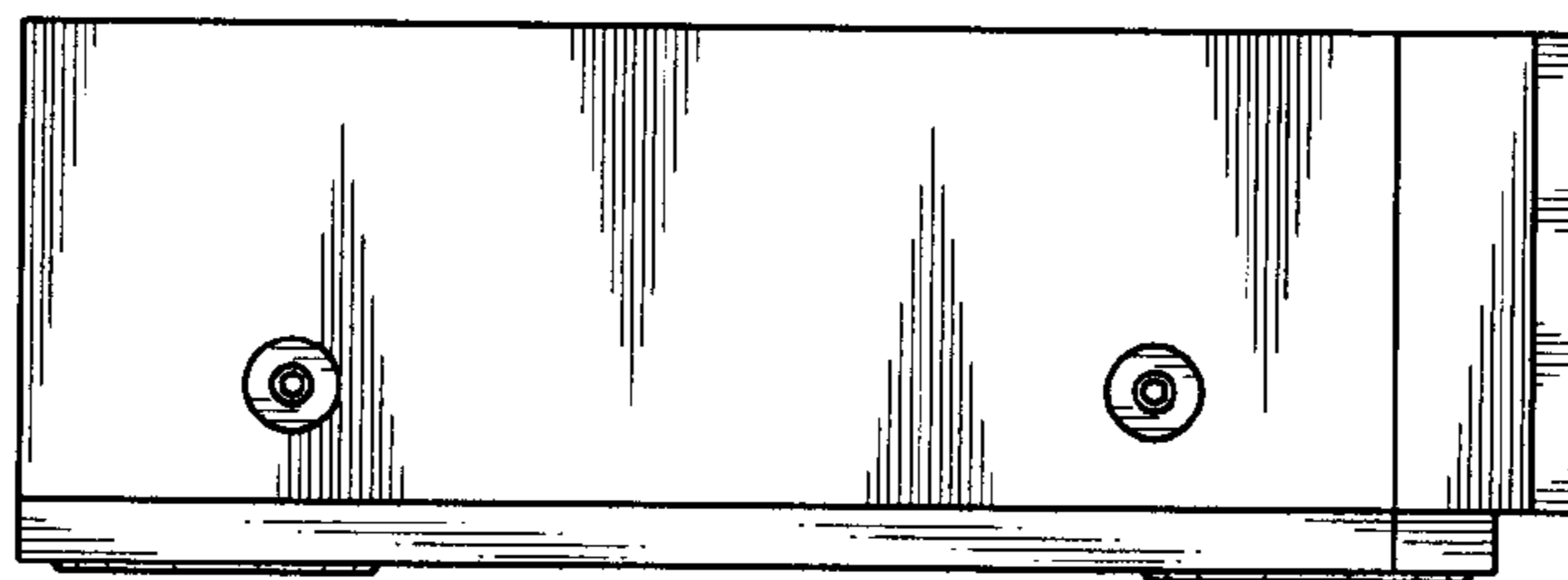


FIG. 4

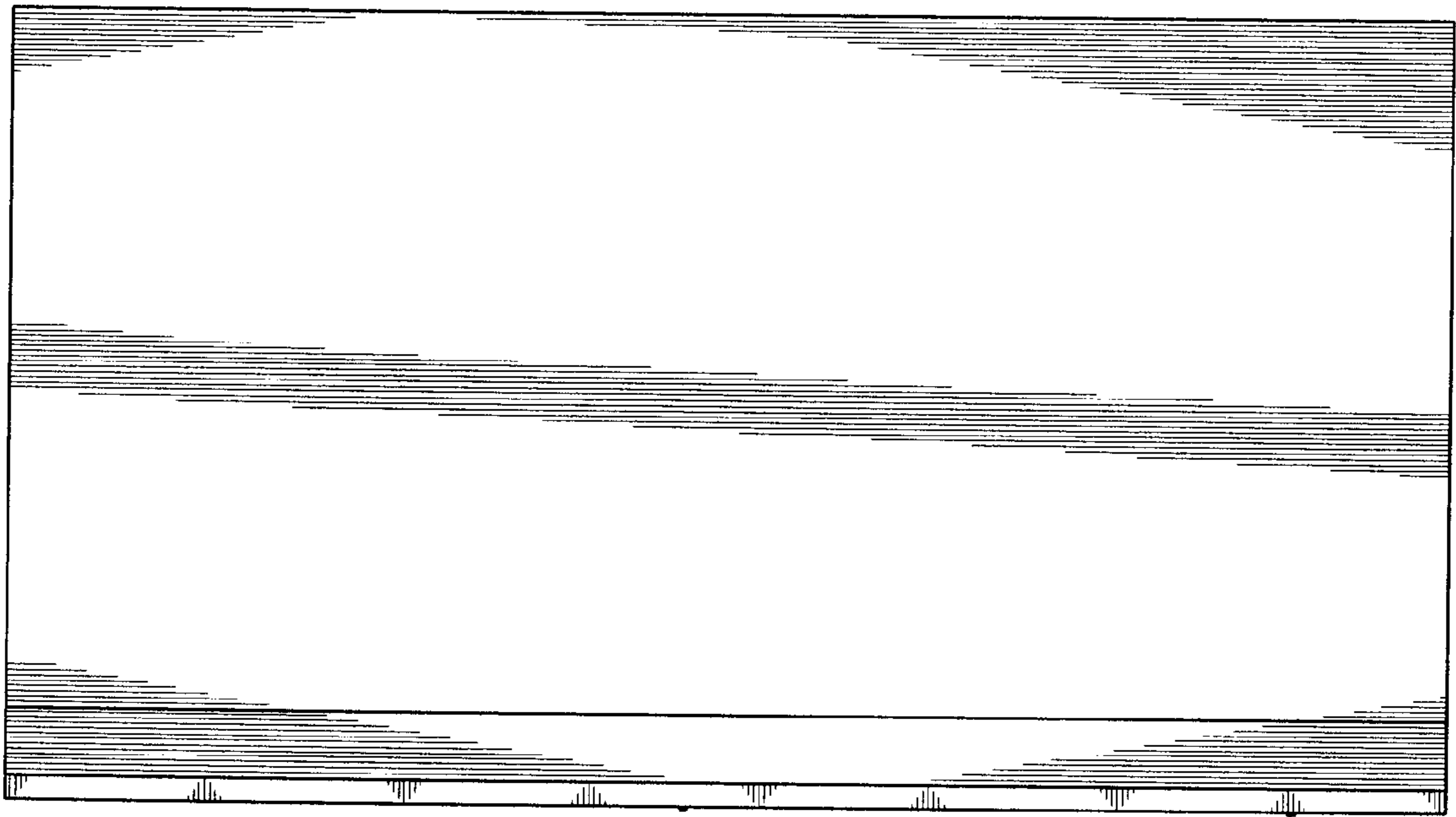


FIG. 5

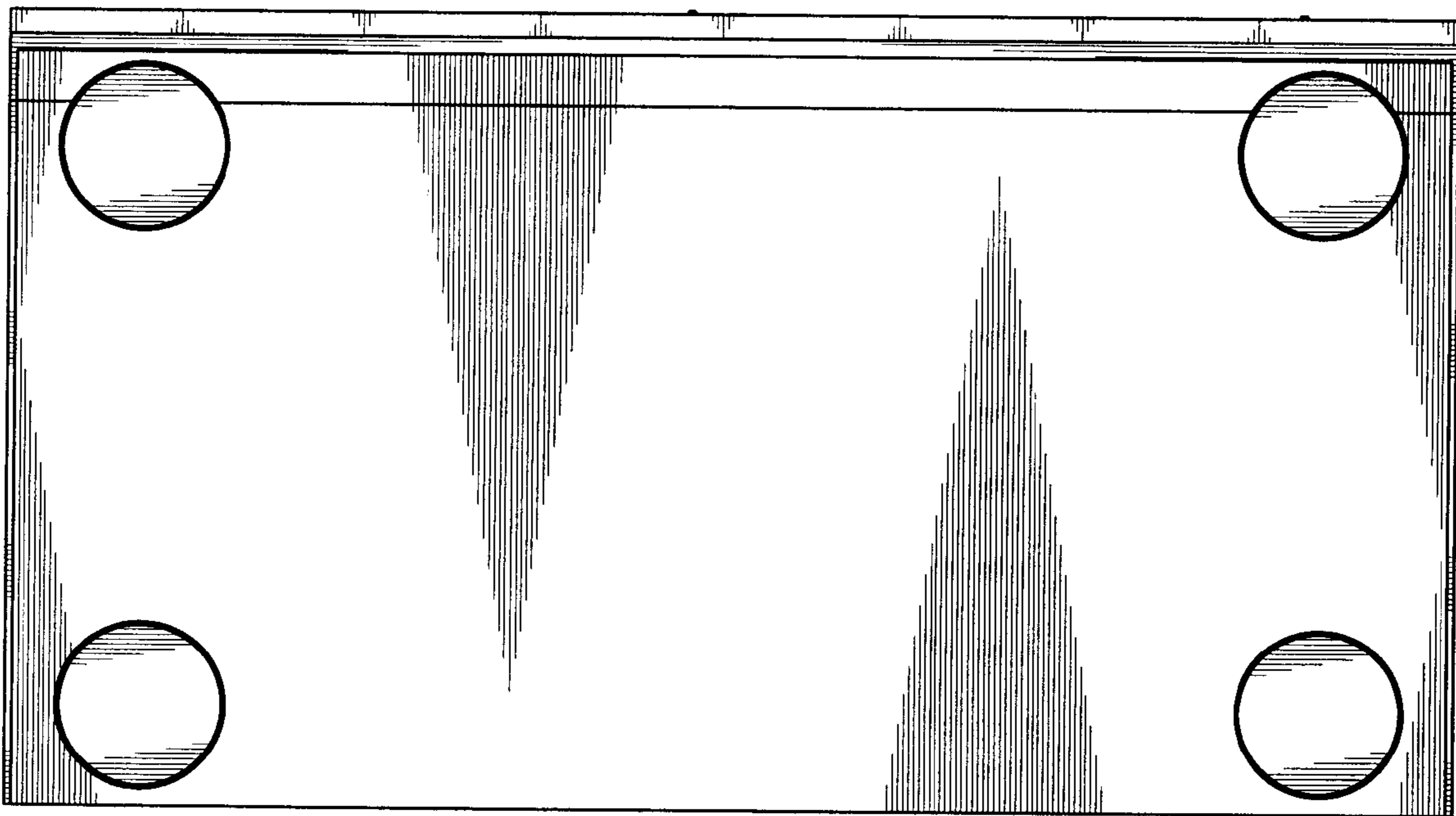


FIG.6