

US00D525956S

(12) **United States Design Patent**  
**Lee**

(10) **Patent No.:** **US D525,956 S**

(45) **Date of Patent:** **\*\* Aug. 1, 2006**

(54) **TELEVISION SET**

(75) Inventor: **Chueh Lee**, Sunnyvale, CA (US)

(73) Assignee: **Hannspree, Inc.**, Taipei (TW)

(\*\*) Term: **14 Years**

(21) Appl. No.: **29/232,450**

(22) Filed: **Jun. 16, 2005**

(30) **Foreign Application Priority Data**

Dec. 17, 2004 (TW) ..... 93307851

(51) **LOC (8) Cl.** ..... **14-03**

(52) **U.S. Cl.** ..... **D14/126**

(58) **Field of Classification Search** ..... D14/125-134,  
D14/239, 371, 136, 374-377; 312/7.2; 348/836,  
348/838, 180, 184, 325, 739; 341/12; 248/917-924,  
248/465; 345/104, 133, 156, 168, 87, 173;  
720/605, 669, 600, 655; 369/99, 197; 455/344-347  
See application file for complete search history.

(56) **References Cited**

**U.S. PATENT DOCUMENTS**

D472,552 S \* 4/2003 Borsboom et al. .... D14/375

D494,165 S \* 8/2004 Yokota ..... D14/341

D500,034 S \* 12/2004 Johnson ..... D14/336

6,937,464 B1 \* 8/2005 Adams et al. .... 361/681

D510,918 S \* 10/2005 Kubota et al. .... D14/126

D510,919 S \* 10/2005 Kubota et al. .... D14/126

\* cited by examiner

*Primary Examiner*—Raphael Barkai

(74) *Attorney, Agent, or Firm*—Michael A. Glenn; Glenn Patent Group

(57) **CLAIM**

The ornamental design for a television set, as shown and described herein.

**DESCRIPTION**

FIG. 1 is a perspective view of a television set showing my new design.

FIG. 2 is a front view thereof;

FIG. 3 is a rear view thereof;

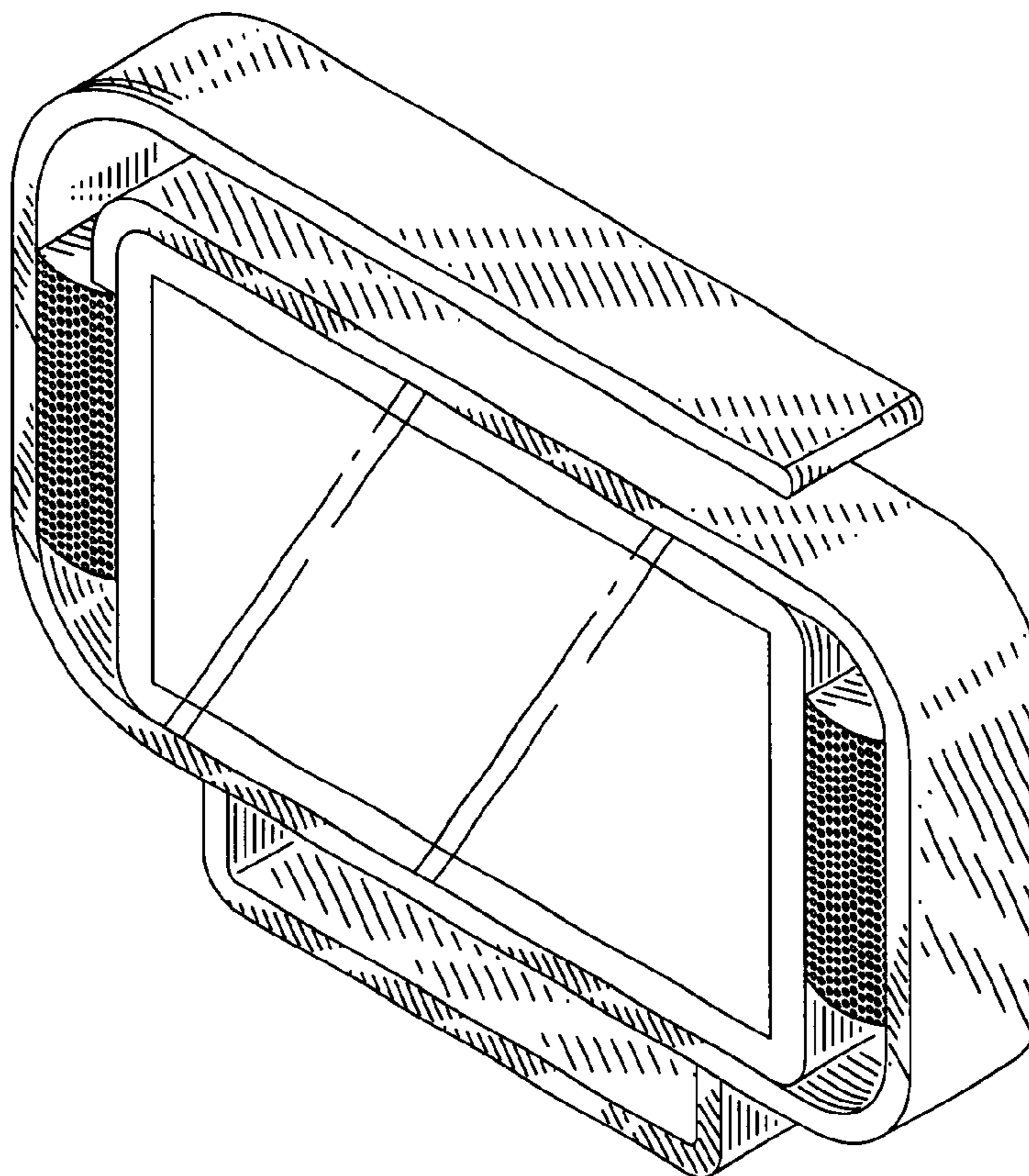
FIG. 4 is a left side view thereof;

FIG. 5 is a right side view thereof;

FIG. 6 is a top plan view thereof; and,

FIG. 7 is a bottom plan view thereof.

**1 Claim, 4 Drawing Sheets**



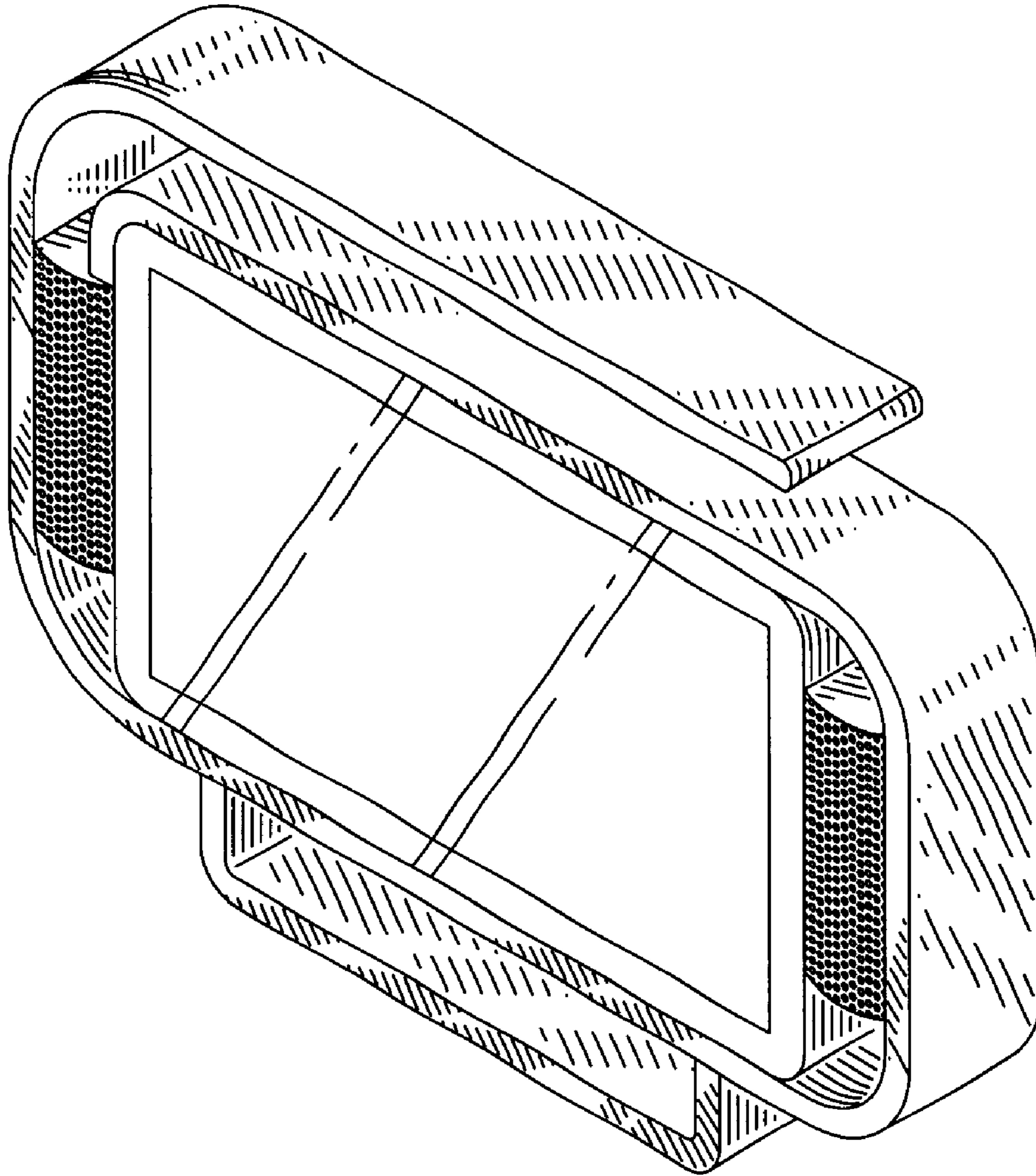


FIG. 1

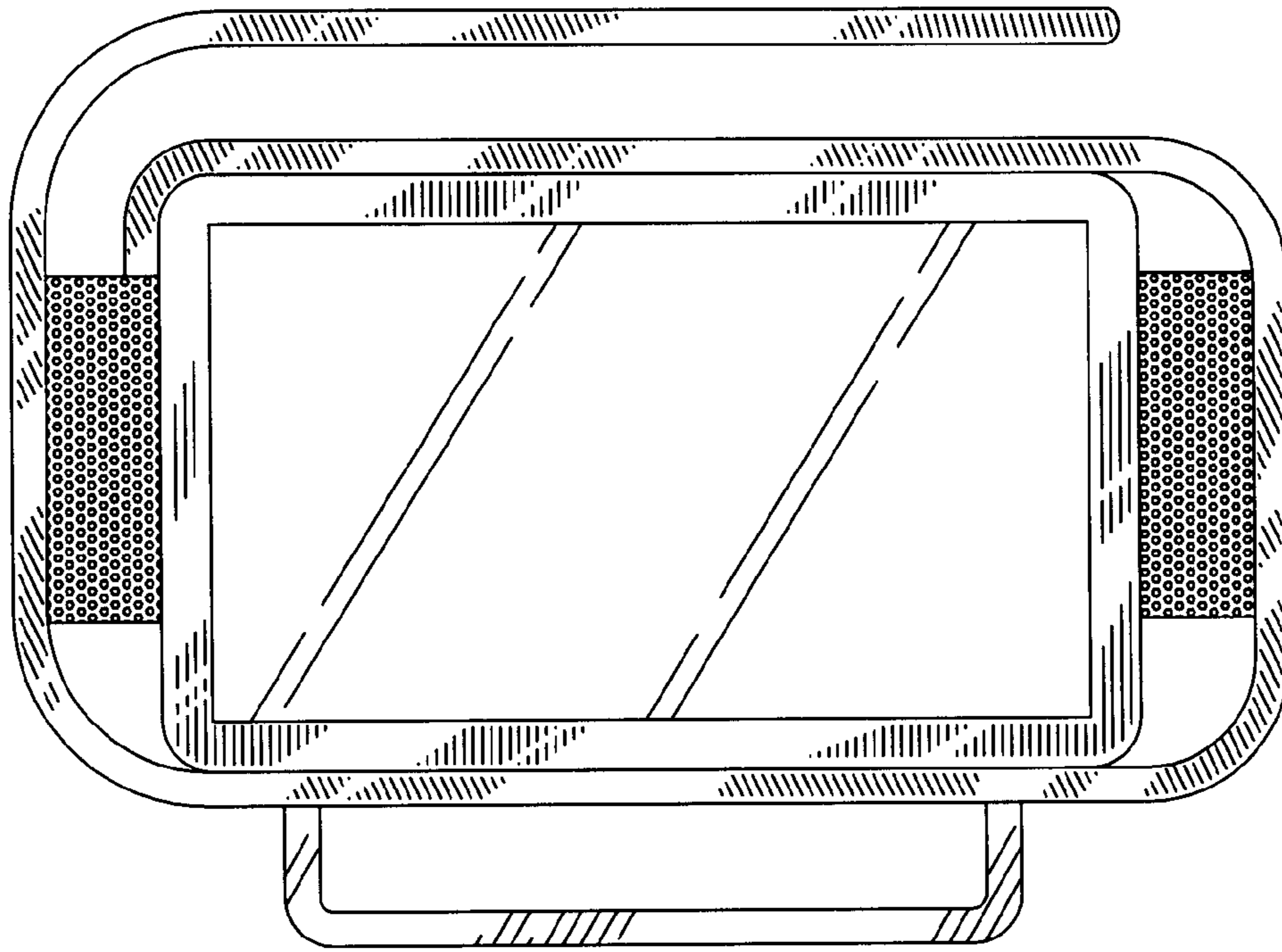


FIG. 2

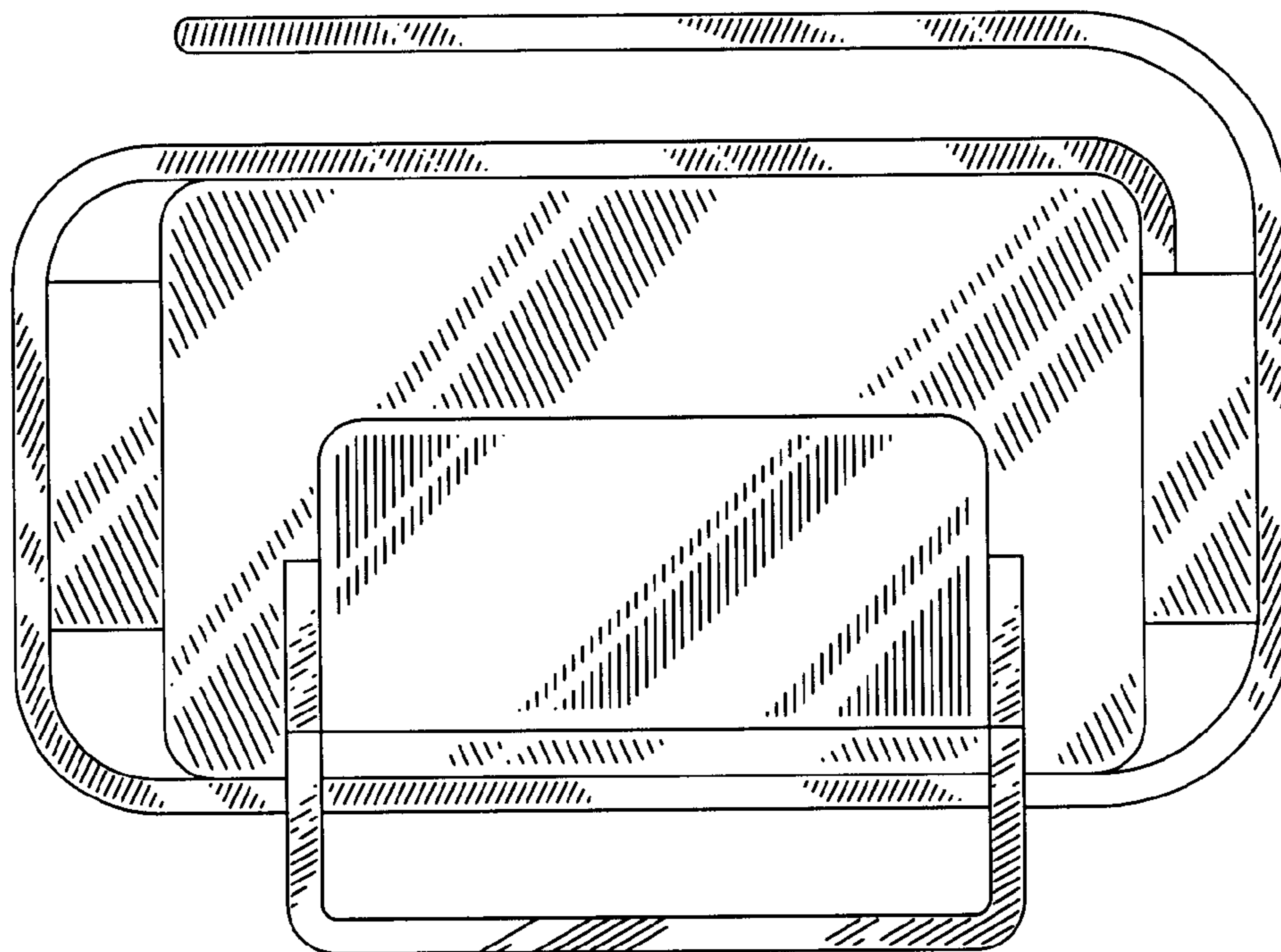


FIG. 3

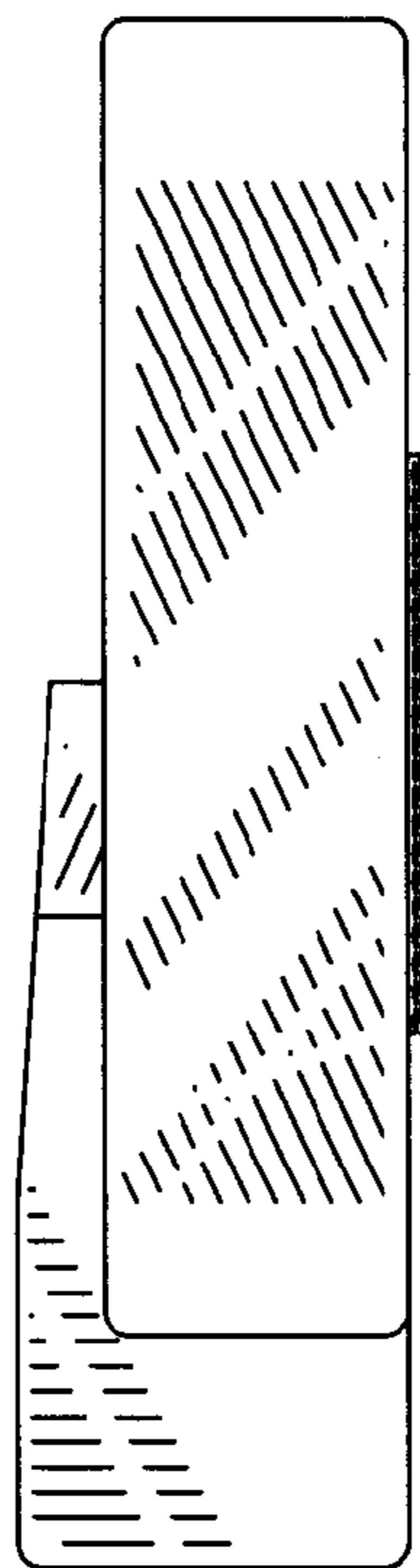


FIG. 4

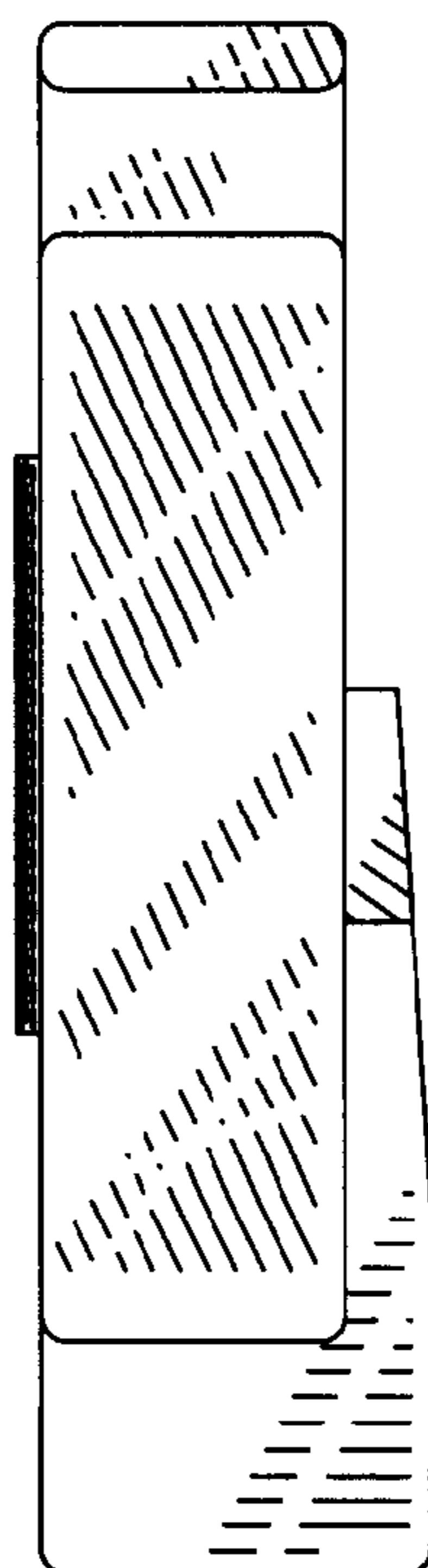


FIG. 5

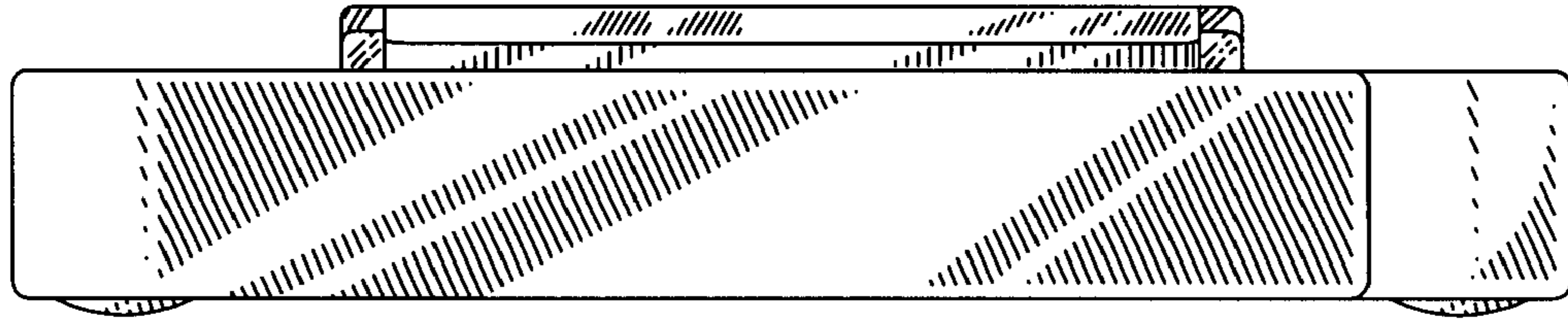


FIG. 6

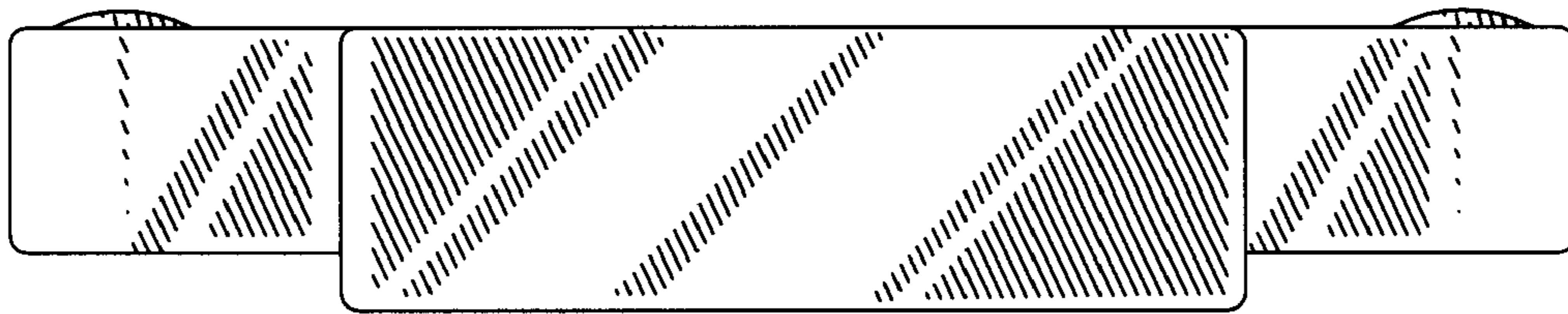


FIG. 7