

US00D525955S

(12) **United States Design Patent**
Anzures

(10) **Patent No.:** **US D525,955 S**

(45) **Date of Patent:** **** Aug. 1, 2006**

(54) **TELEVISION SET**

(75) **Inventor:** **Freddy Anzures**, San Francisco, CA
(US)

(73) **Assignee:** **Hannspree, Inc.**, Taipei (TW)

(**) **Term:** **14 Years**

(21) **Appl. No.:** **29/232,446**

(22) **Filed:** **Jun. 16, 2005**

(30) **Foreign Application Priority Data**

Dec. 17, 2004 (TW) 93307854

(51) **LOC (8) Cl.** **14-03**

(52) **U.S. Cl.** **D14/126**

(58) **Field of Classification Search** D14/125-134,
D14/239, 371, 136, 374-377; 312/7.2; 348/836,
348/838, 180, 184, 325, 739; 341/12; 248/917-924,
248/465; 345/104, 133, 156, 168, 87, 173;
720/605, 669, 600, 655; 369/99, 197; 455/344-347
See application file for complete search history.

(56) **References Cited**

U.S. PATENT DOCUMENTS

D453,153 S * 1/2002 Yu et al. D14/240

D462,722 S * 9/2002 Naghi et al. D21/333
D472,554 S * 4/2003 Zuege et al. D14/375
6,558,225 B1 * 5/2003 Rehkemper et al. 446/484
D493,430 S * 7/2004 Hussaini et al. D14/126
D496,660 S * 9/2004 Liu D14/371
6,937,464 B1 * 8/2005 Adams et al. 361/681

* cited by examiner

Primary Examiner—Raphael Barkai

(74) *Attorney, Agent, or Firm*—Glenn Patent Group;
Michael A. Glenn

(57) **CLAIM**

The ornamental design for a “television set,” as shown and described herein.

DESCRIPTION

FIG. 1 is a perspective view of a television set showing my new design.

FIG. 2 is a front view thereof;

FIG. 3 is a rear view thereof;

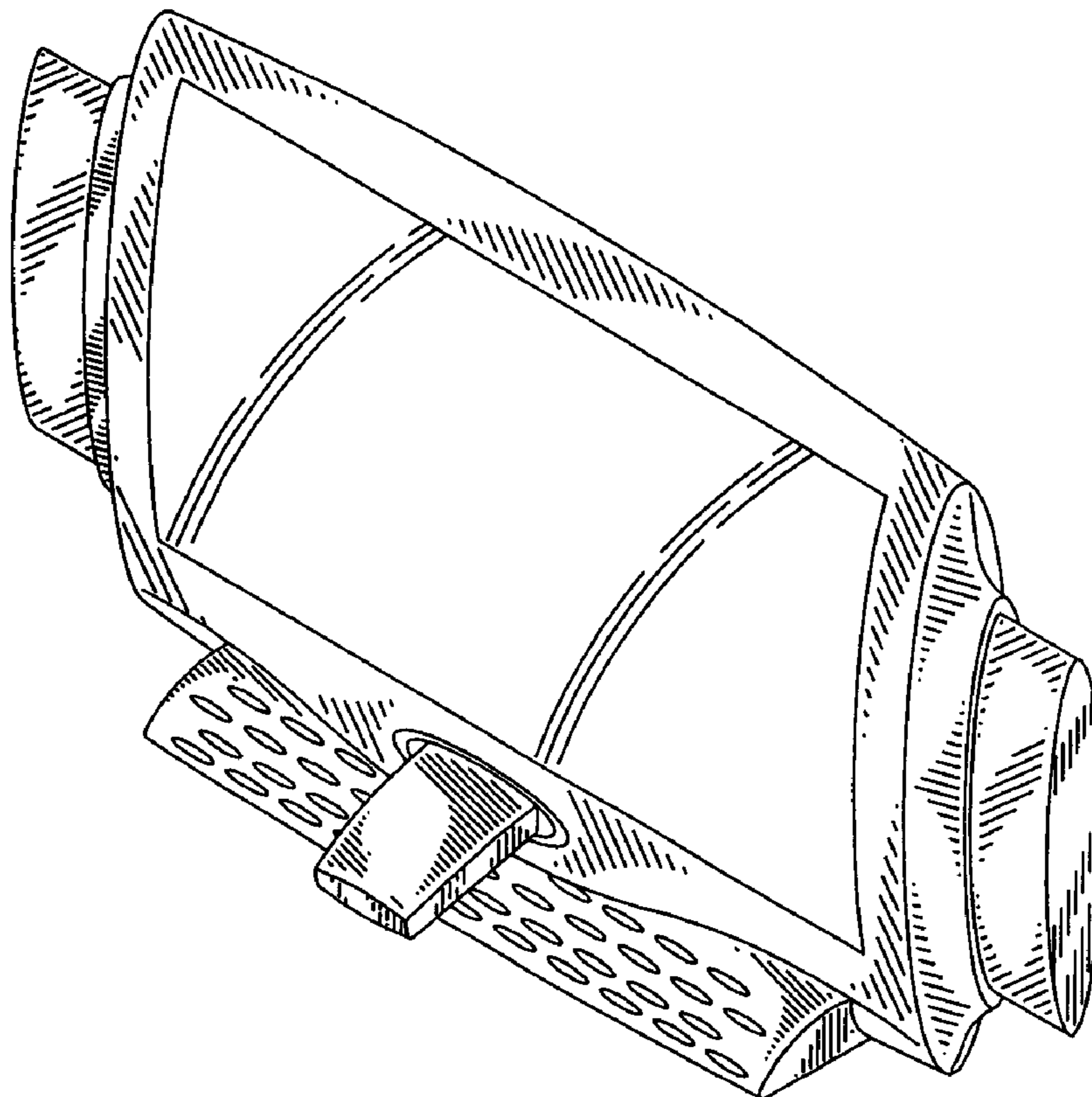
FIG. 4 is a left side view thereof;

FIG. 5 is a right side view thereof;

FIG. 6 is a top plan view thereof; and,

FIG. 7 is a bottom plan view thereof.

1 Claim, 4 Drawing Sheets



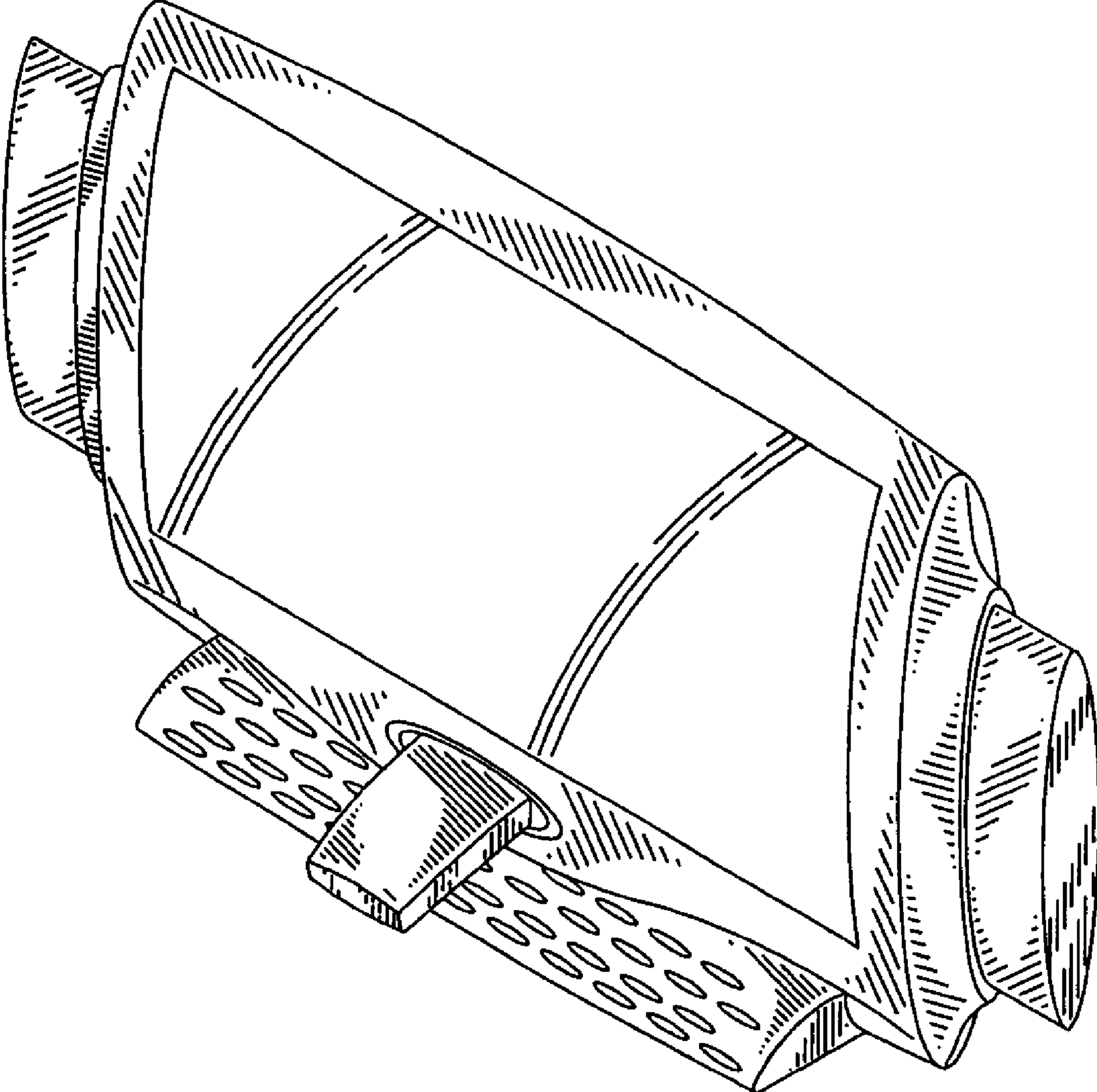


FIG. 1

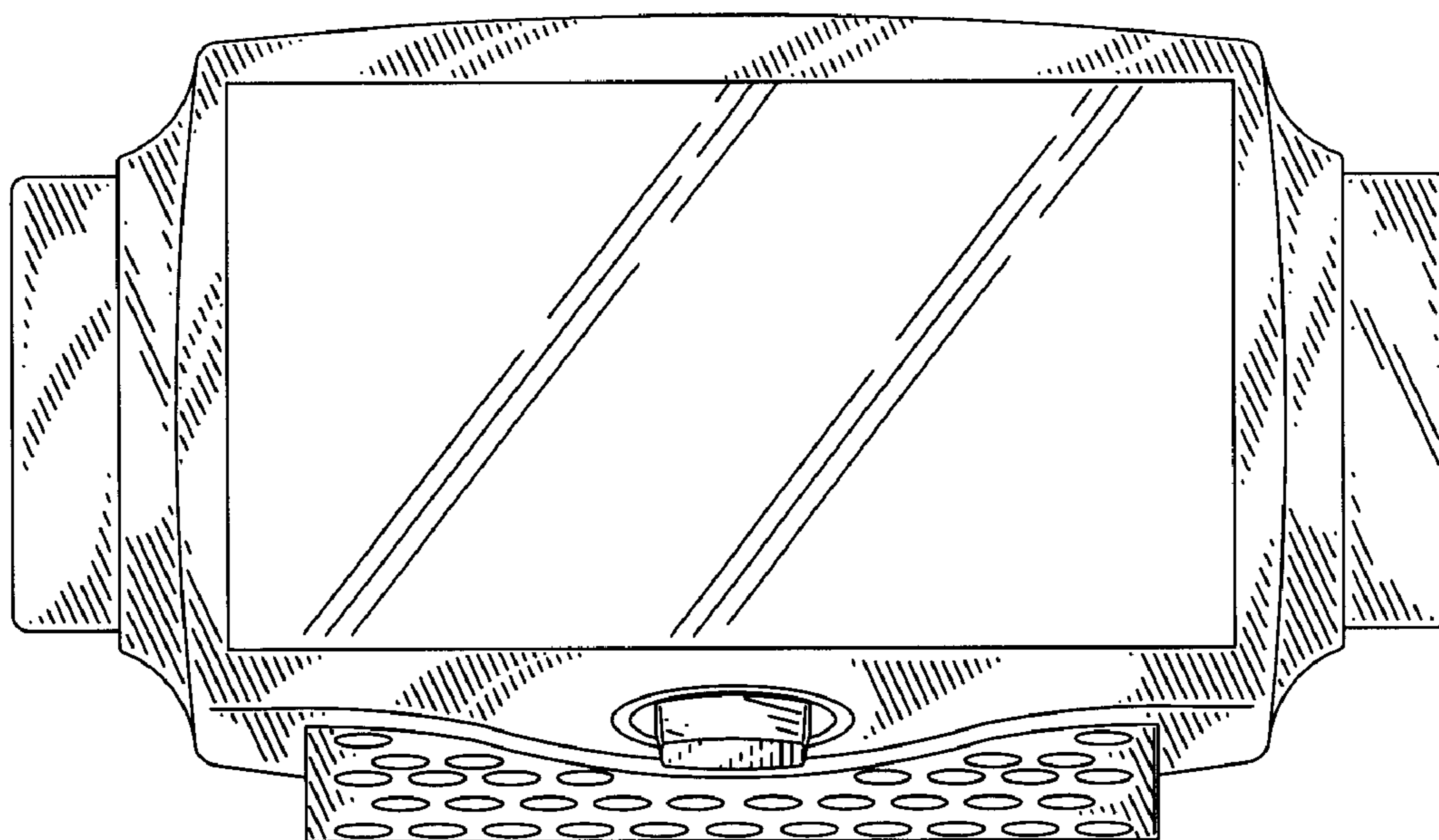


FIG. 2

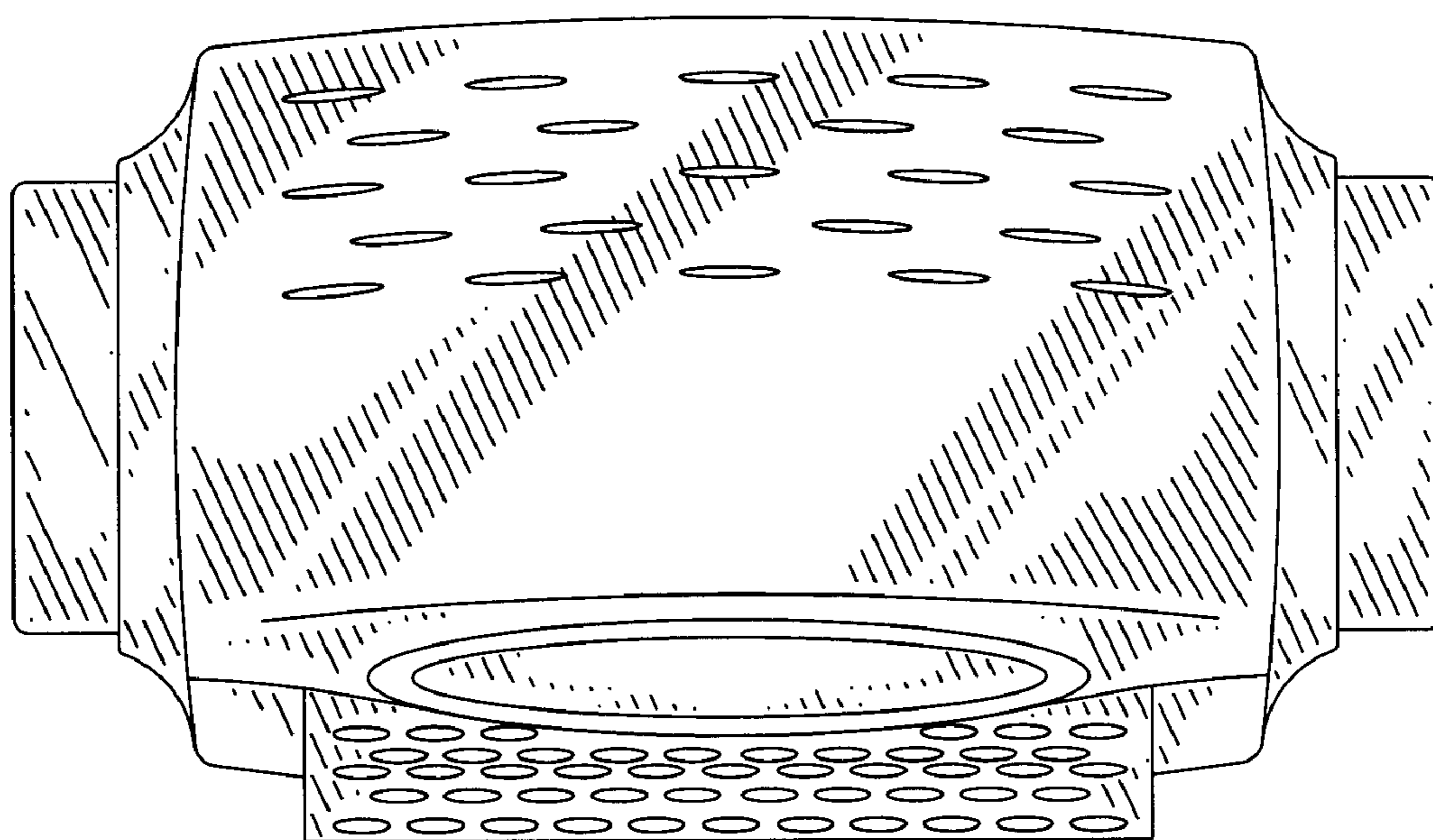


FIG. 3

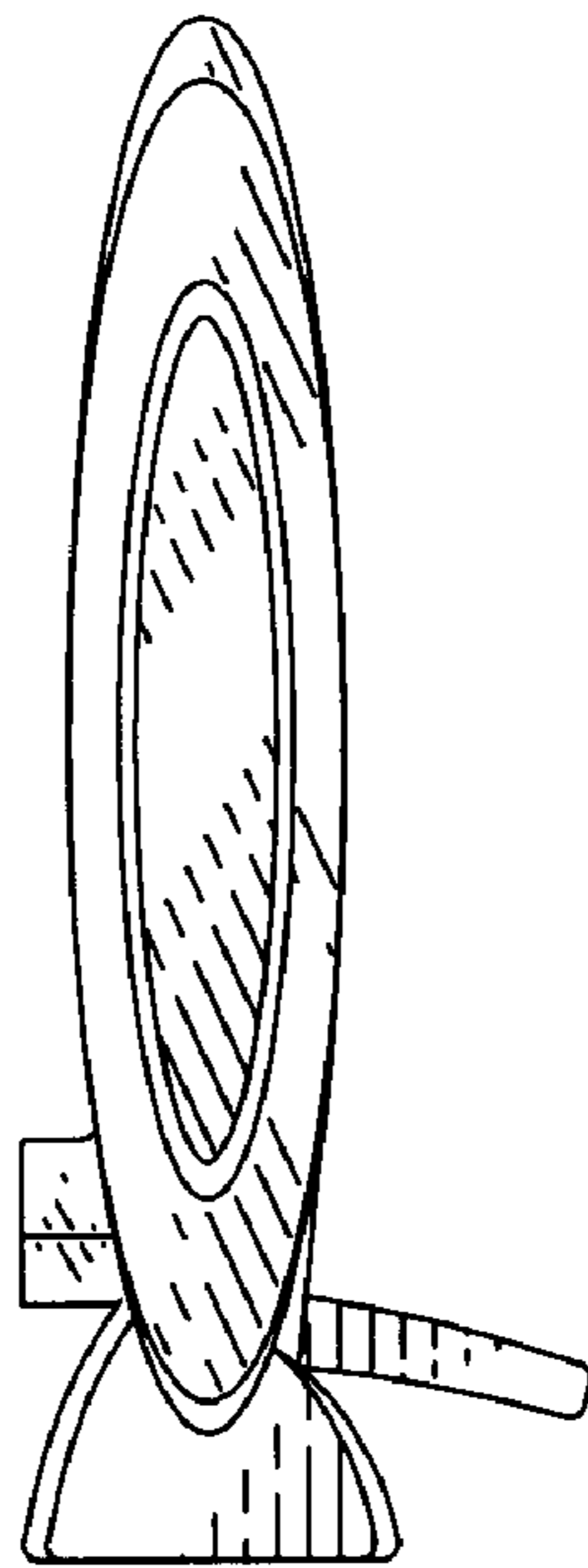


FIG. 4

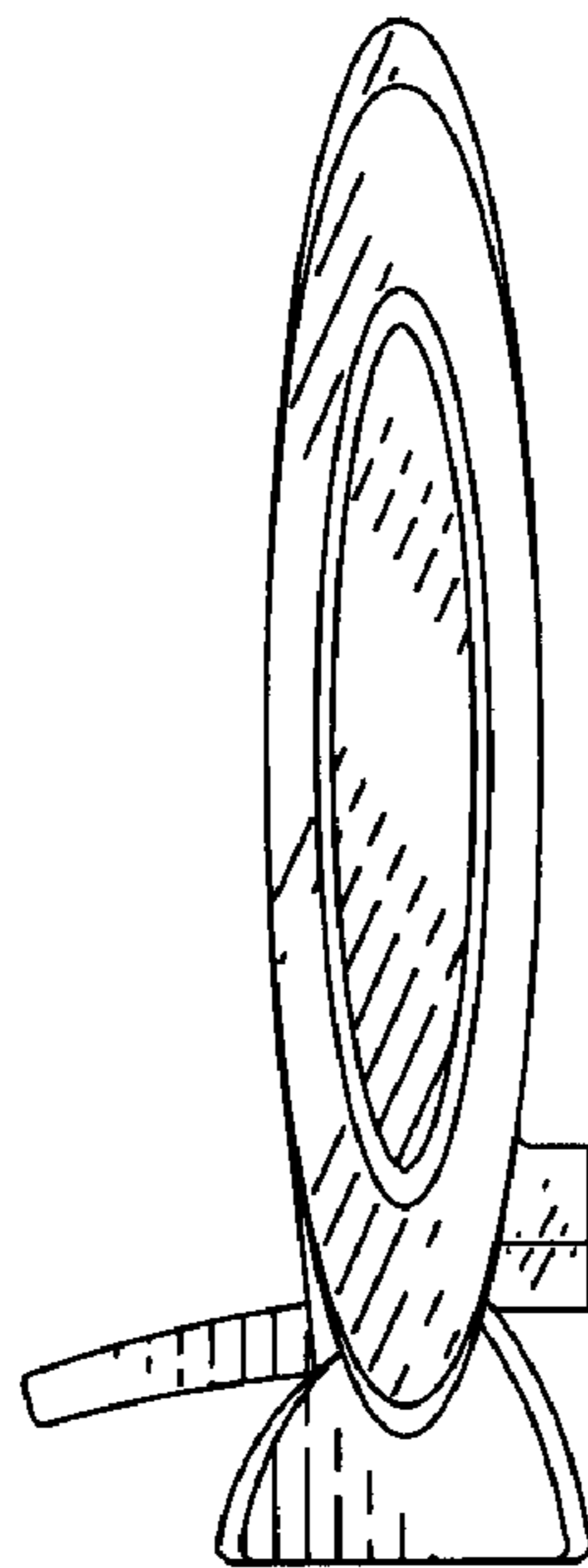


FIG. 5

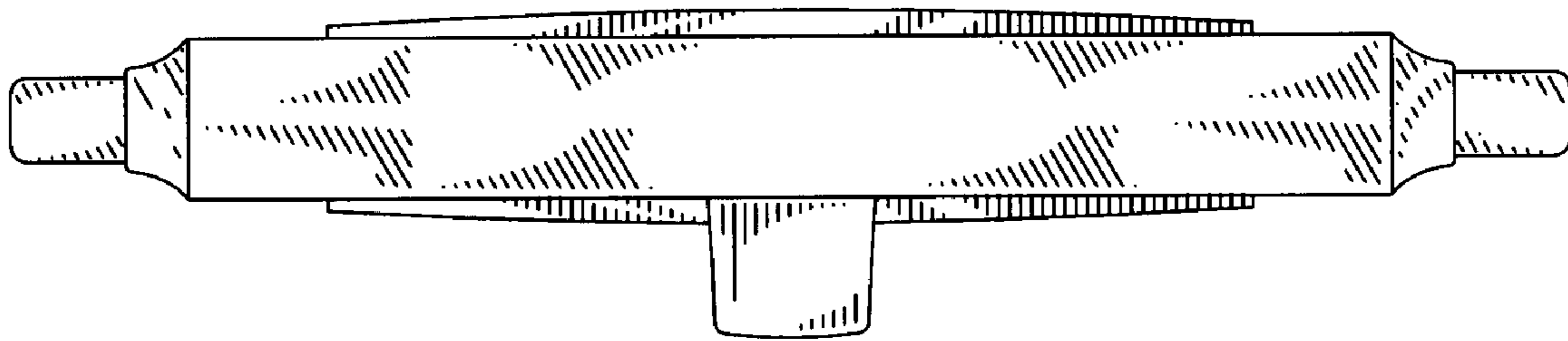


FIG. 6

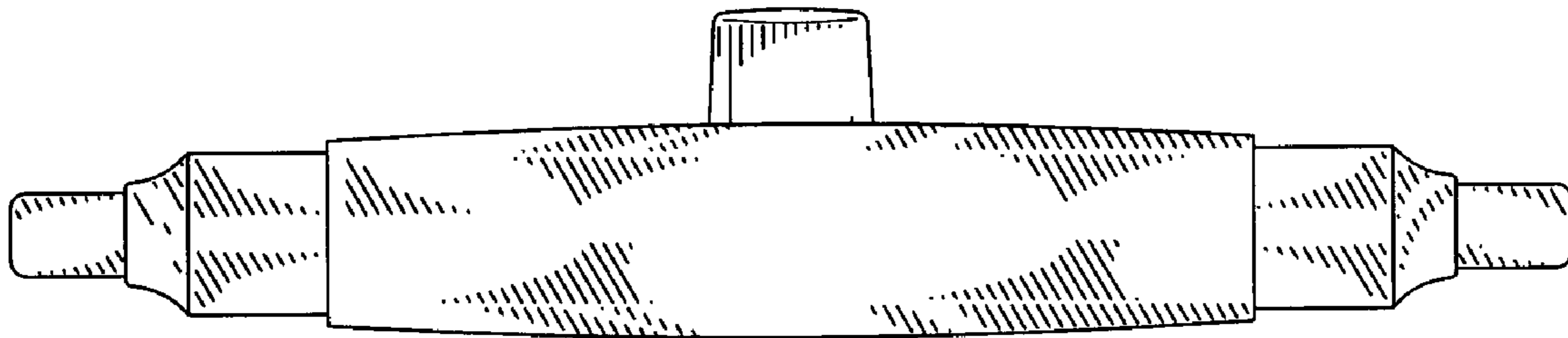


FIG. 7