



US00D525945S

(12) **United States Design Patent**  
**Hamada et al.**

(10) **Patent No.:** **US D525,945 S**

(45) **Date of Patent:** **\*\* Aug. 1, 2006**

(54) **ELECTRICAL CONNECTOR**

(75) Inventors: **Takeo Hamada**, Aichi (JP); **Takashi Yanagisawa**, Aichi (JP); **Atsushi Nishida**, Aichi (JP); **Fumihiko Itakura**, Tokyo (JP); **Toshihiro Oka**, Tokyo (JP)

(73) Assignees: **Toyota Motor Corporation**, Toyota (JP); **Japan Aviation Electronics Industry, Limited**, Tokyo (JP)

(\*\*) Term: **14 Years**

(21) Appl. No.: **29/242,942**

(22) Filed: **Nov. 16, 2005**

(30) **Foreign Application Priority Data**

May 19, 2005 (JP) ..... 2005-014324

(51) **LOC (8) Cl.** ..... **13-03**

(52) **U.S. Cl.** ..... **D13/147**

(58) **Field of Classification Search** ..... D13/133,  
D13/146-147, 154, 199; 439/79, 83, 108,  
439/181, 607-610, 639

See application file for complete search history.

(56) **References Cited**

**U.S. PATENT DOCUMENTS**

D380,196 S \* 6/1997 Aramaki ..... D13/147  
6,315,608 B1 \* 11/2001 Lopata et al. .... 439/607  
D465,457 S \* 11/2002 Hu et al. .... D13/147

D466,082 S \* 11/2002 Hu et al. .... D13/147  
6,478,623 B1 \* 11/2002 Wu ..... 439/607  
6,482,037 B1 \* 11/2002 Zhu et al. .... 439/607  
D482,659 S \* 11/2003 Zhang ..... D13/147  
D491,146 S \* 6/2004 Hu et al. .... D13/147  
D503,927 S \* 4/2005 Yoneyama et al. .... D13/147  
D504,401 S \* 4/2005 Wang et al. .... D13/147  
D509,192 S \* 9/2005 Chen ..... D13/147

\* cited by examiner

*Primary Examiner*—Stella Reid

*Assistant Examiner*—Daniel Bui

(74) *Attorney, Agent, or Firm*—Collard & Roe, P.C.

(57) **CLAIM**

The ornamental design for an electrical connector, as shown and described.

**DESCRIPTION**

FIG. 1 is a front elevational view of an electrical connector showing our new design;

FIG. 2 is a top plan view thereof;

FIG. 3 is a rear elevational view thereof;

FIG. 4 is a bottom plan view thereof;

FIG. 5 is a right side elevational view thereof;

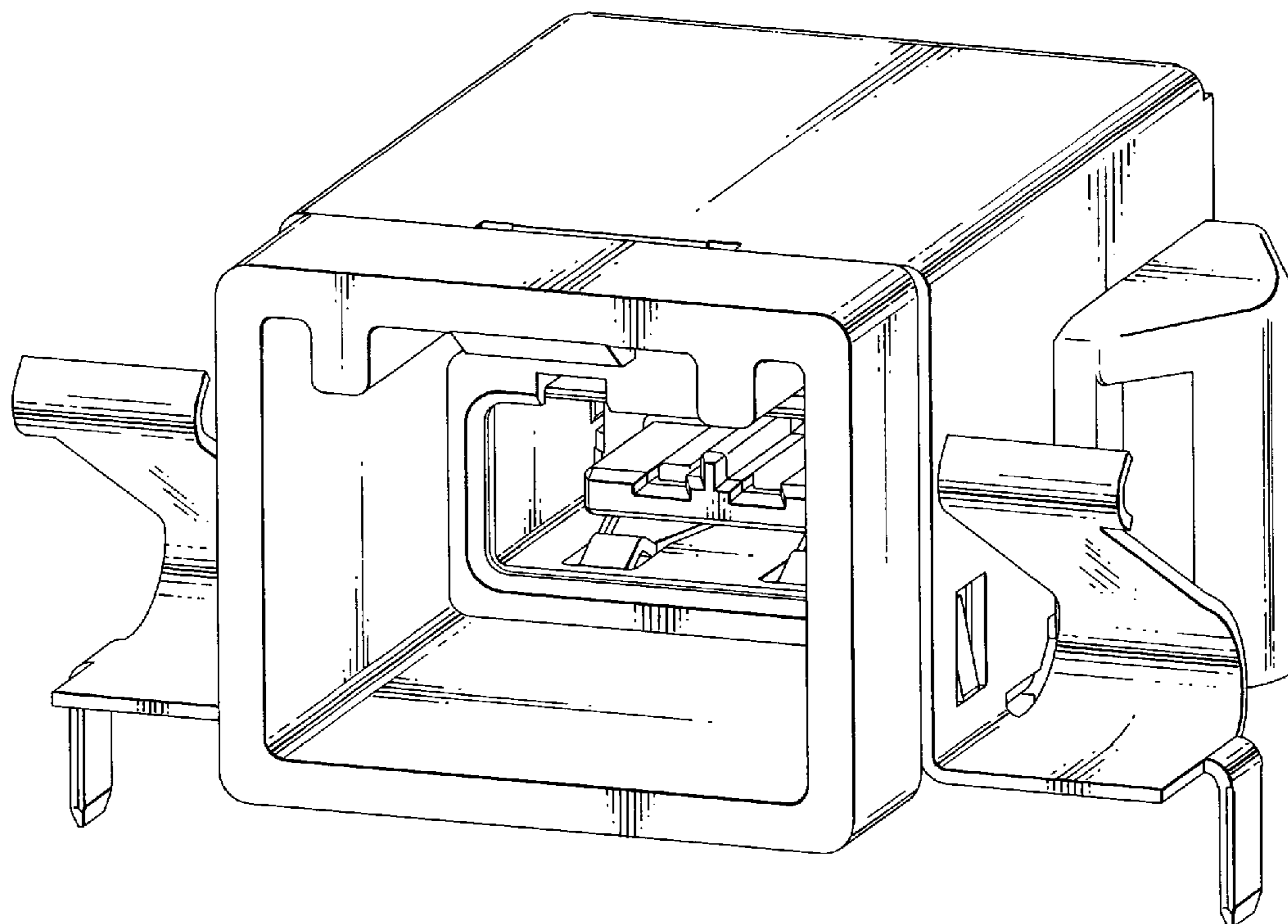
FIG. 6 is a left side elevational view thereof;

FIG. 7 is a front, top and right side perspective view thereof;

FIG. 8 is a rear, top and left side perspective view thereof; and,

FIG. 9 is a front, bottom and right side perspective view.

**1 Claim, 9 Drawing Sheets**



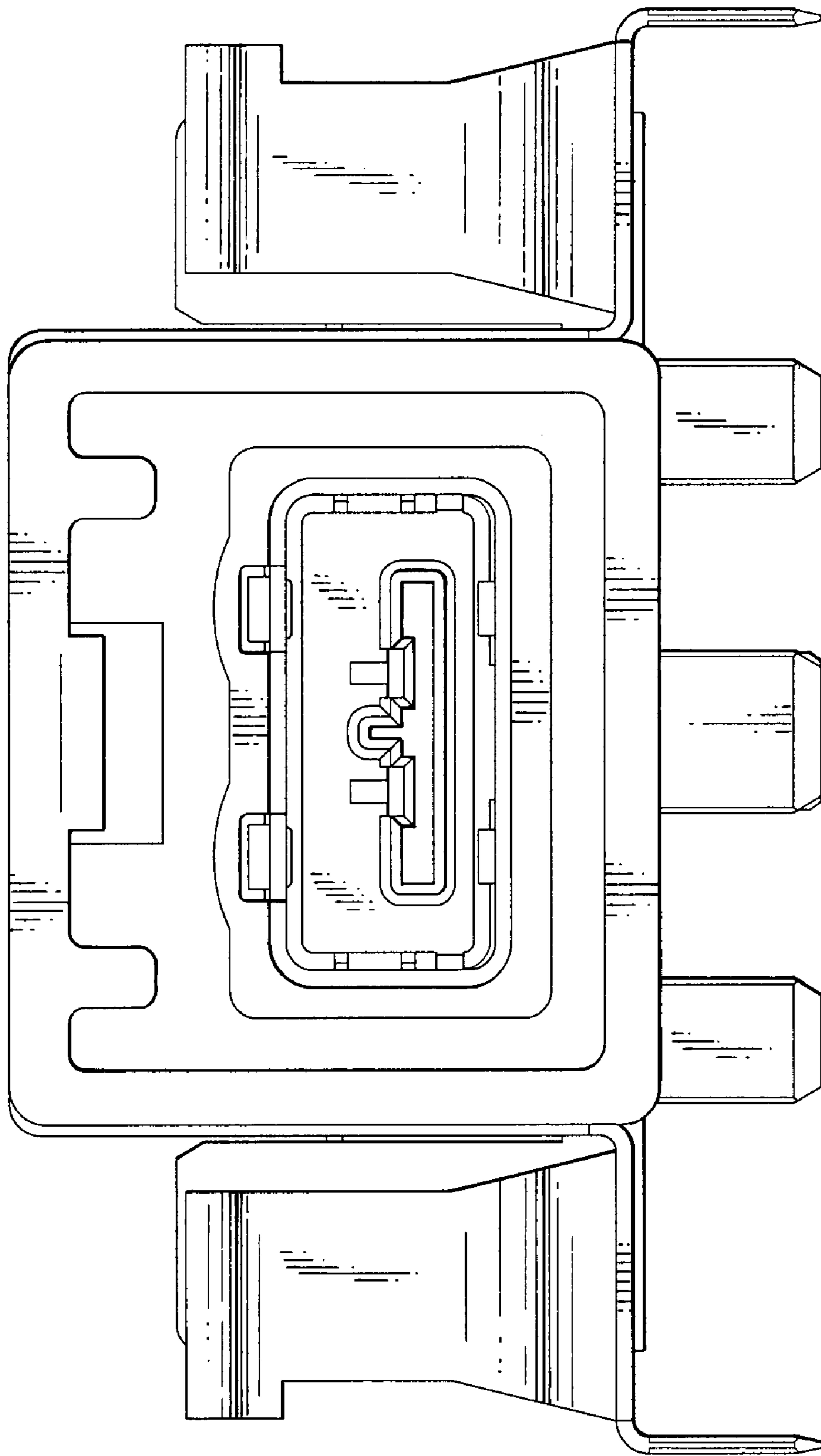


FIG. 1

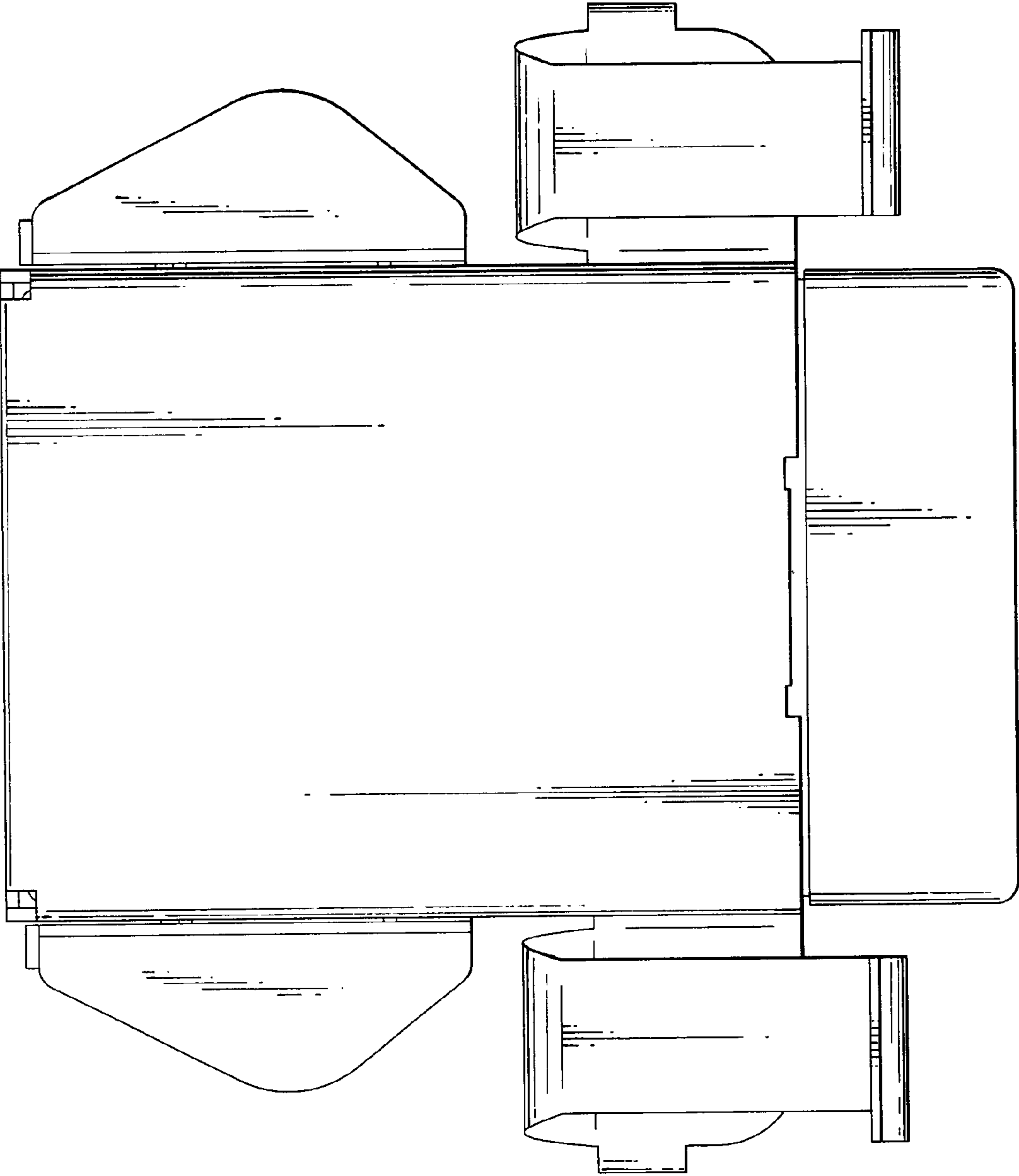


FIG. 2

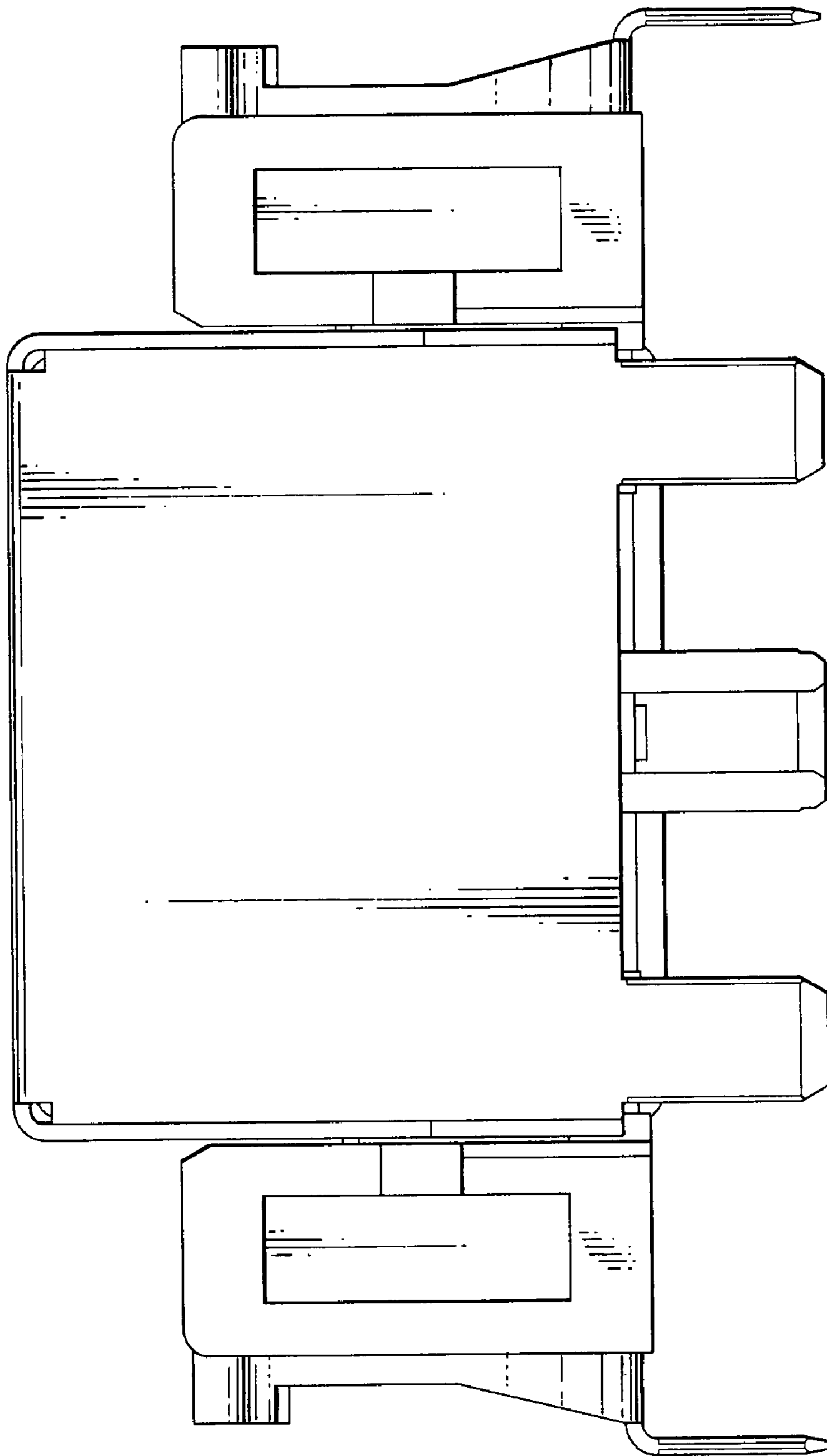


FIG. 3

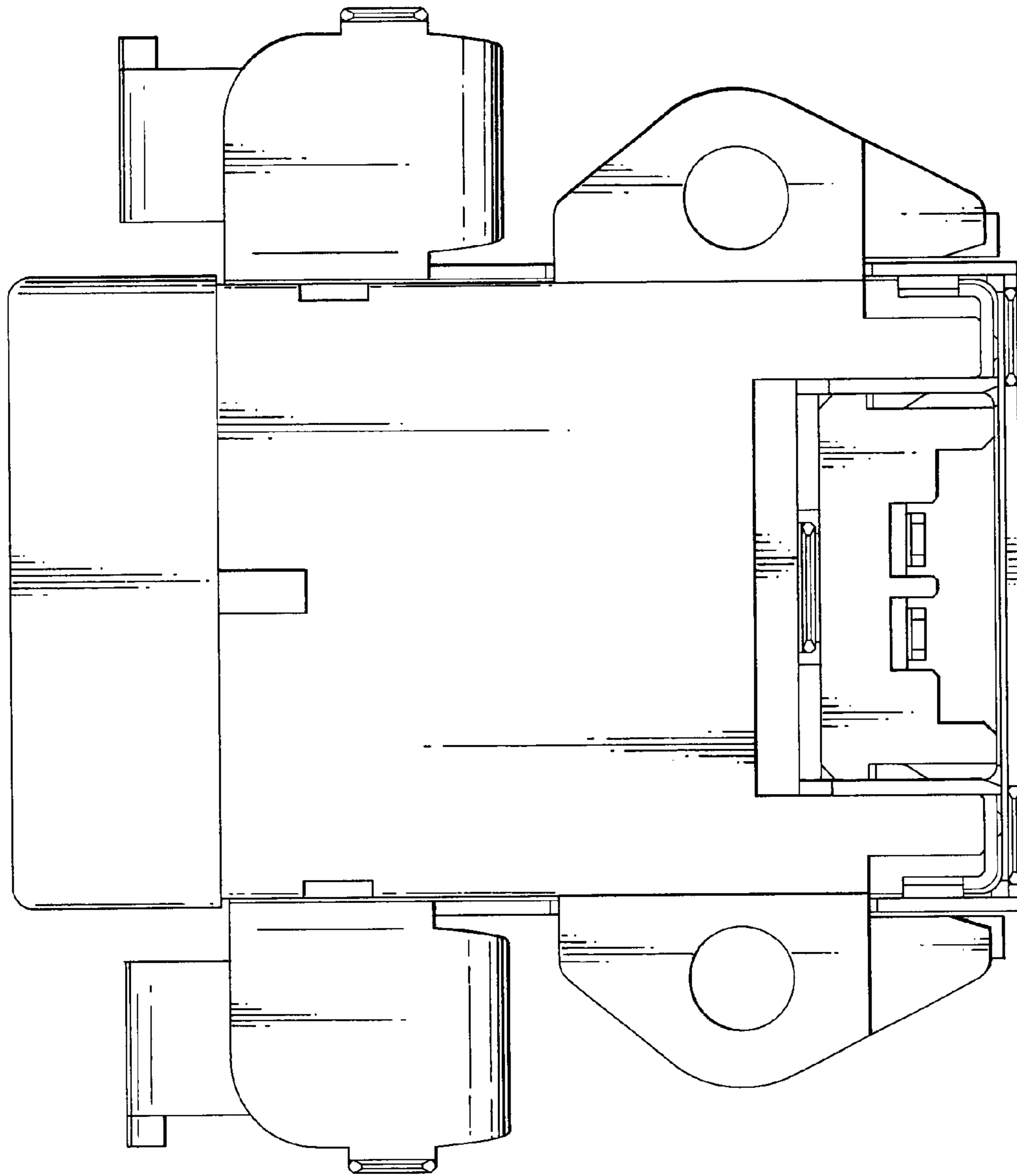


FIG. 4

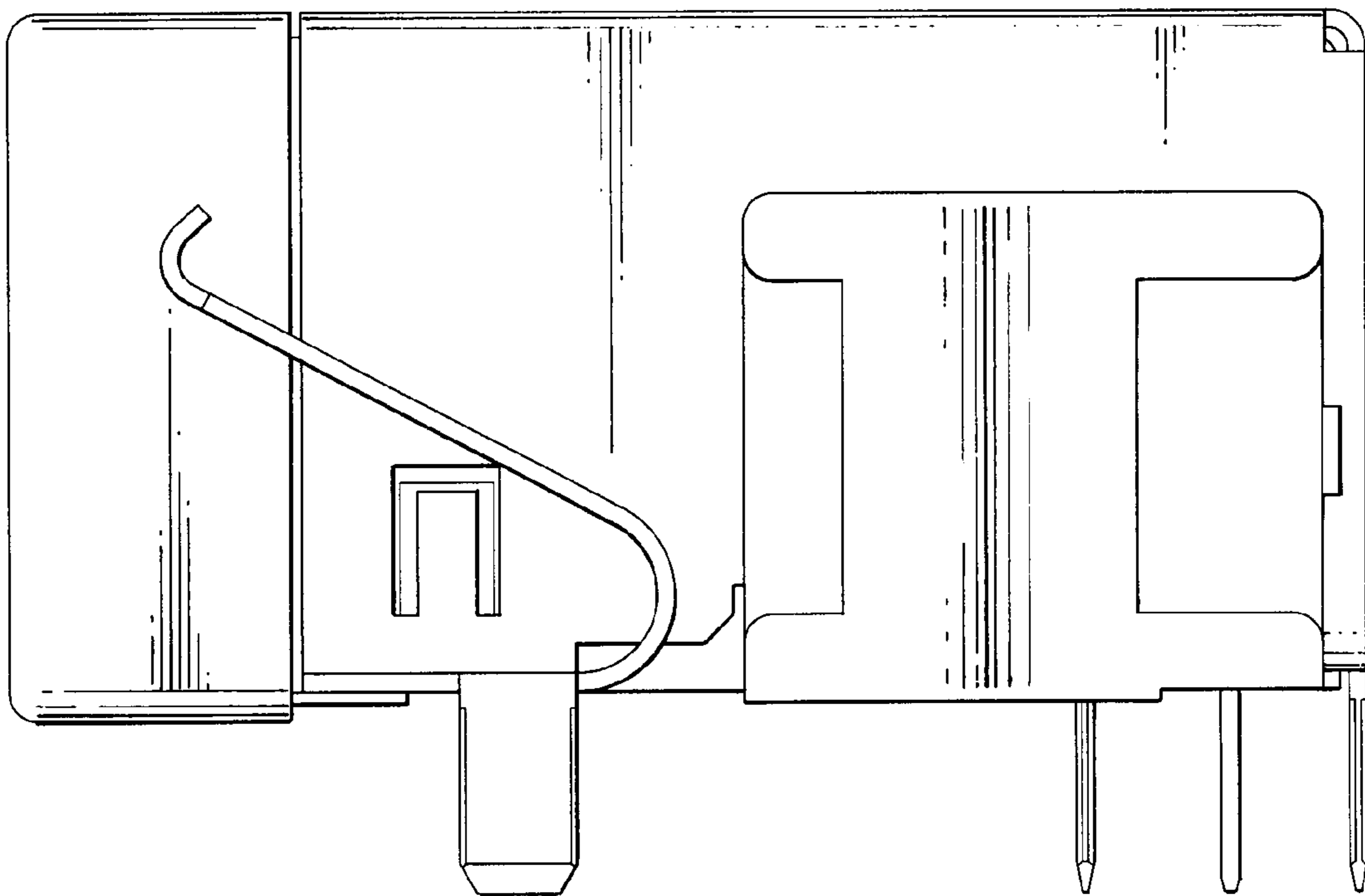


FIG. 5

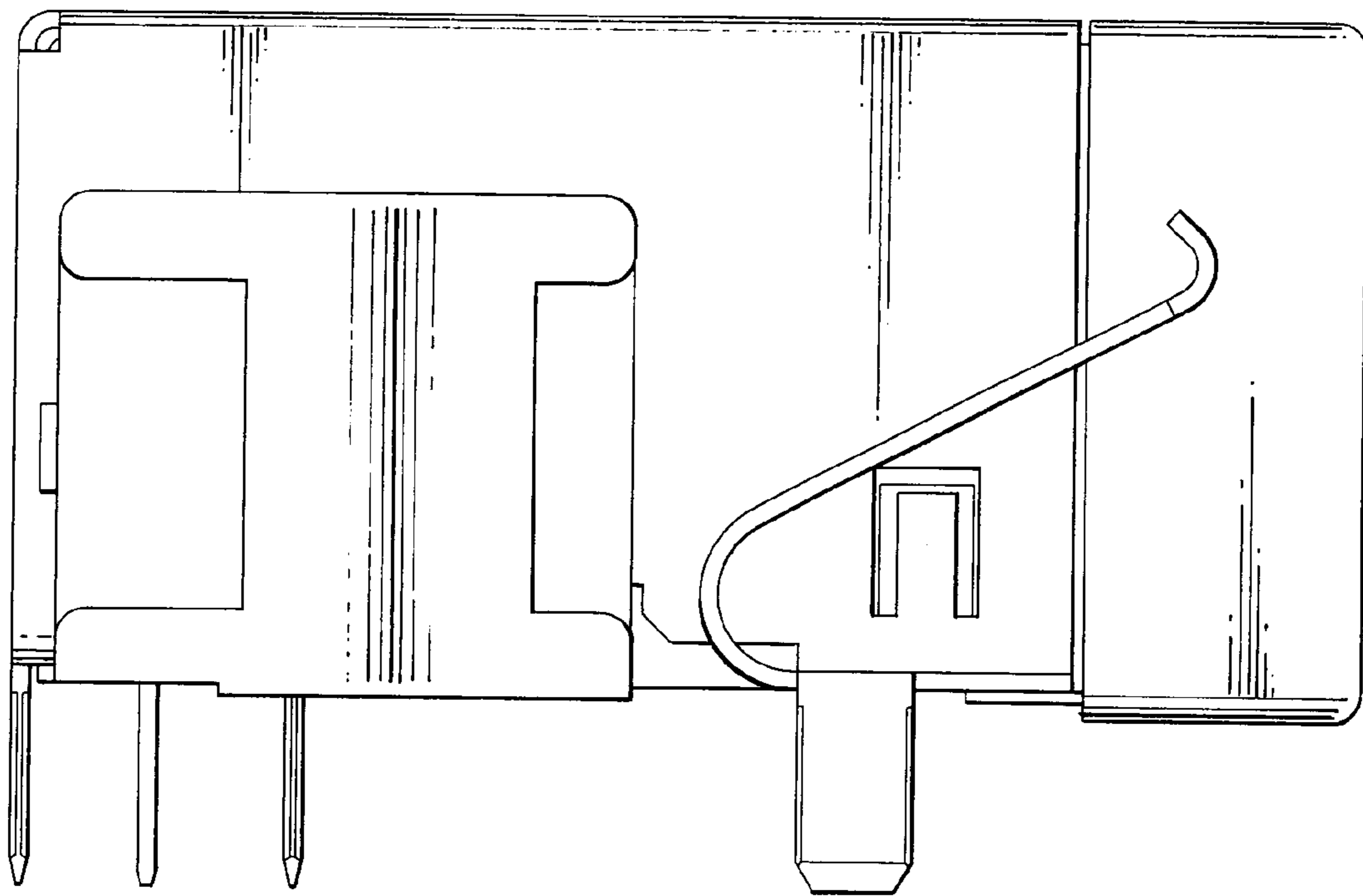


FIG. 6

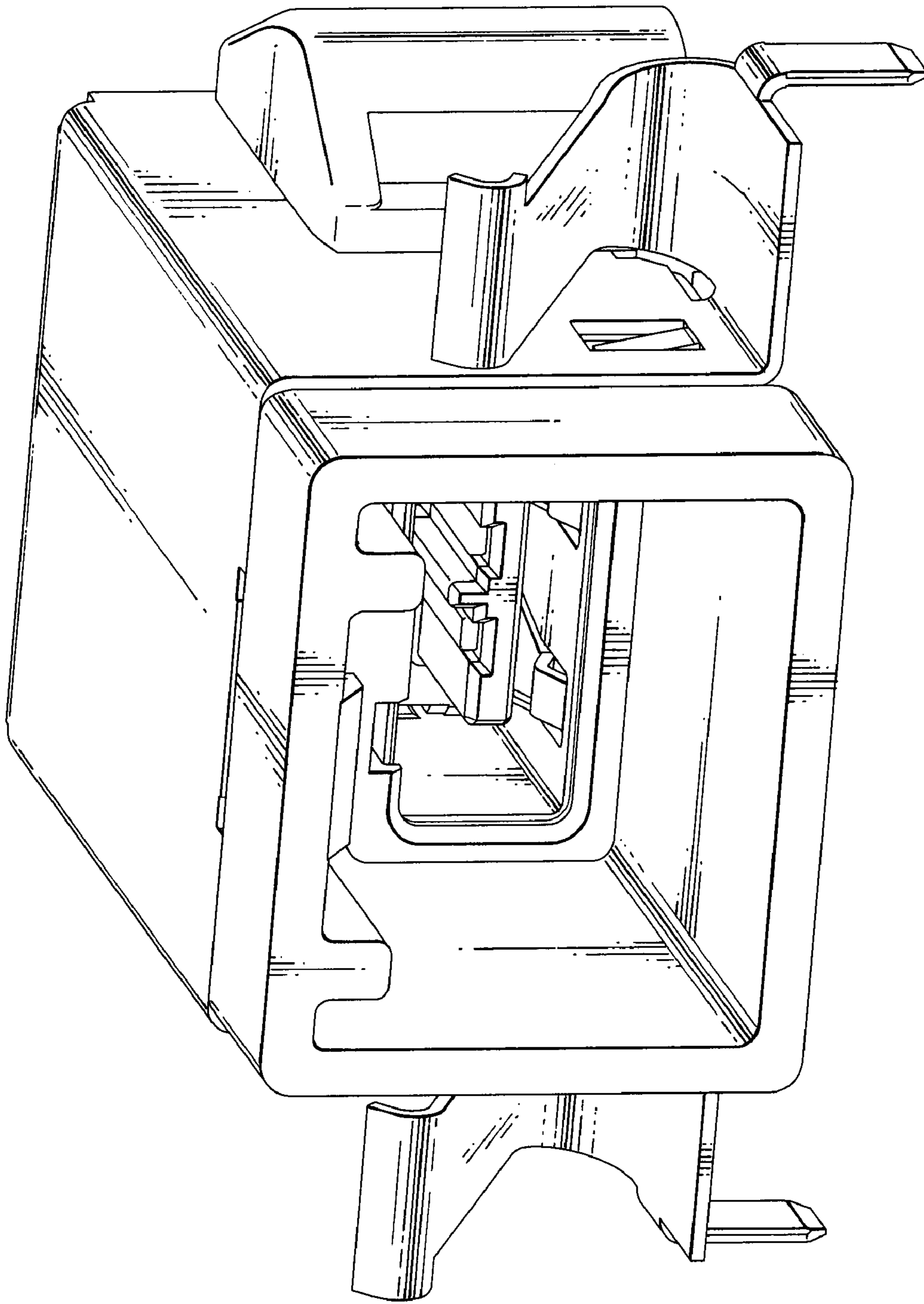


FIG. 7



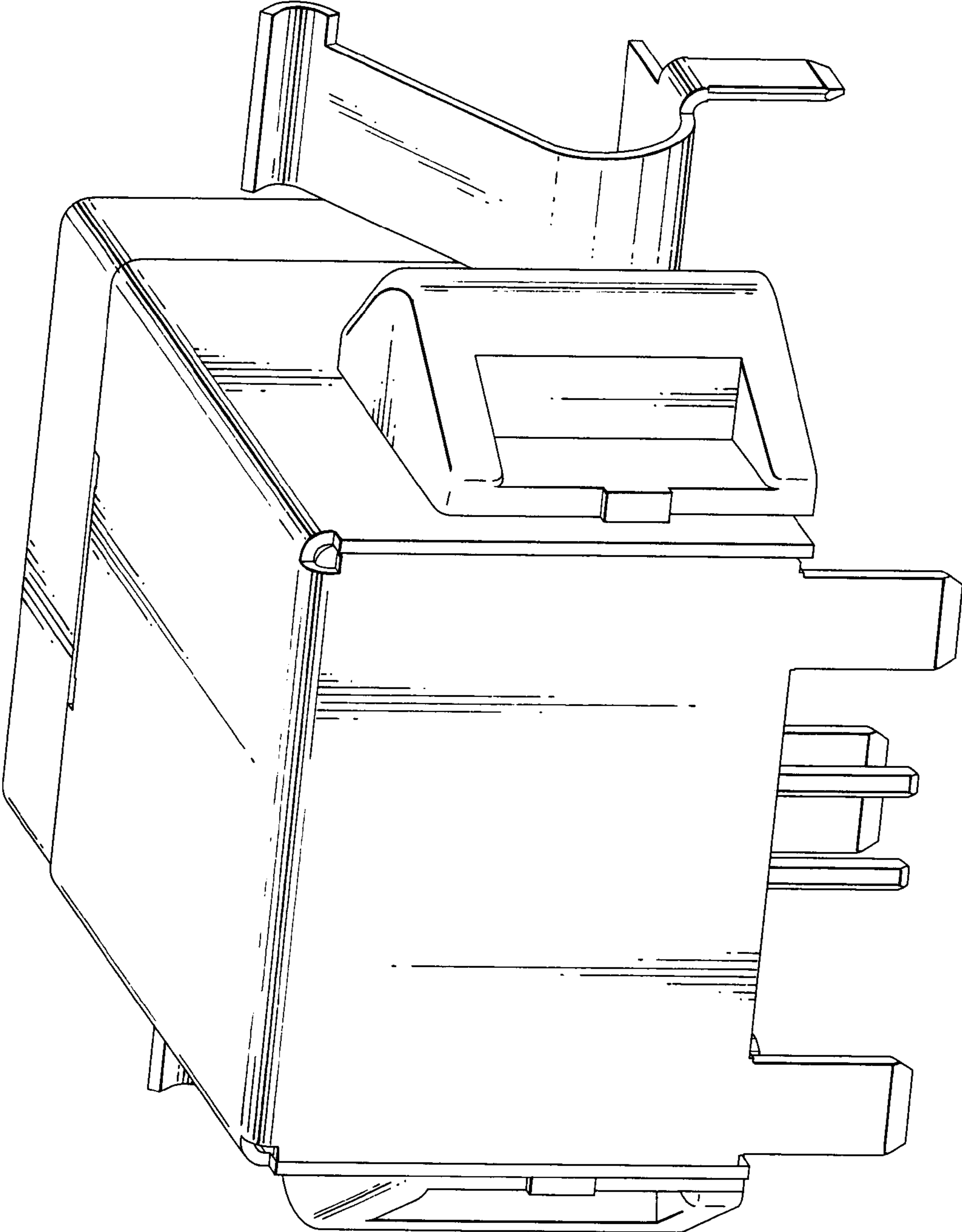


FIG. 8

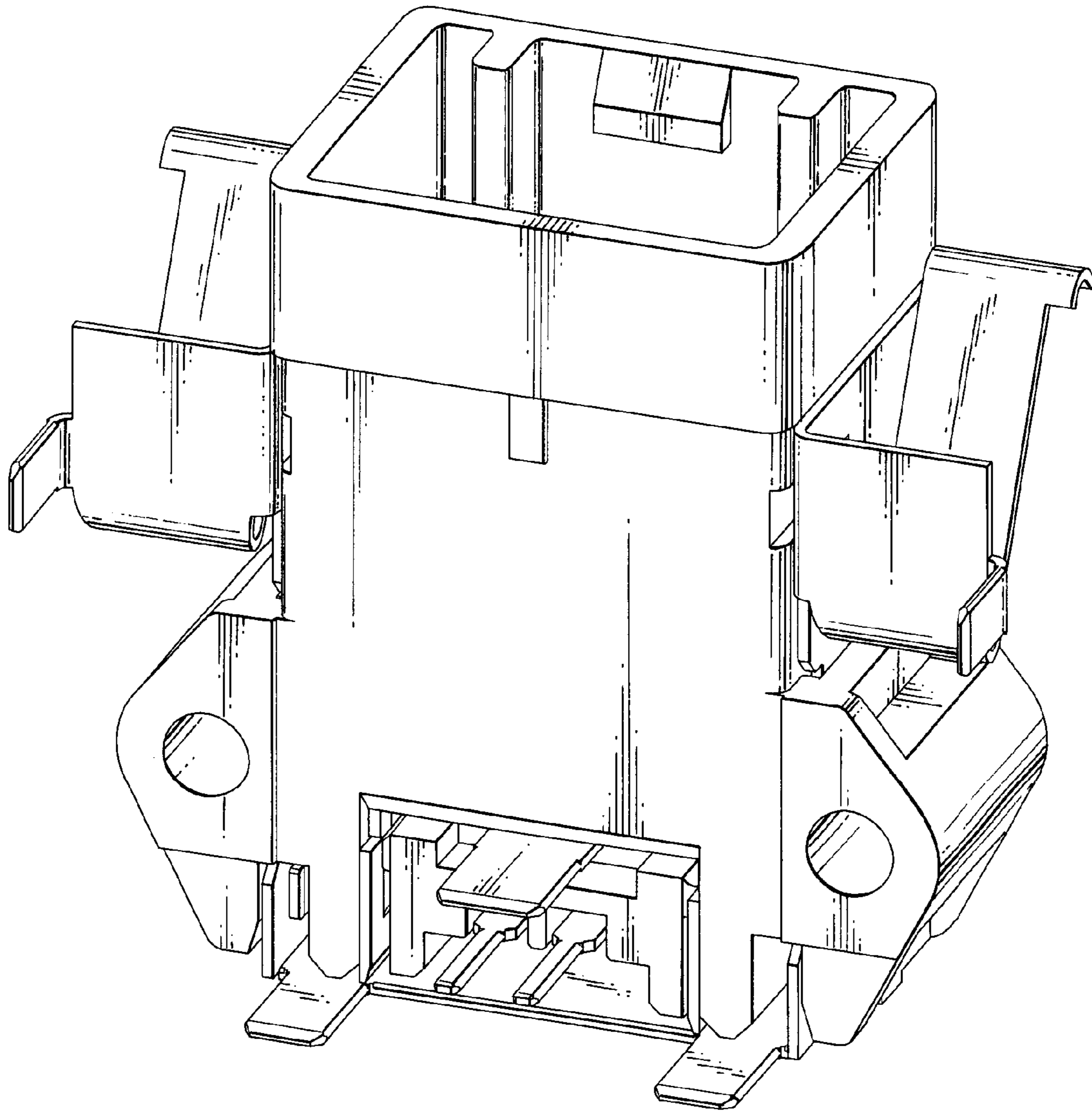


FIG. 9