



US00D525943S

(12) **United States Design Patent**
Huang et al.

(10) **Patent No.:** **US D525,943 S**

(45) **Date of Patent:** **** Aug. 1, 2006**

(54) **ELECTRICAL CONNECTOR**

(75) Inventors: **Shang Yen Huang**, Taipei (TW); **Sheng Ho Yang**, Taipei (TW)

(73) Assignee: **Advanced Connectek Inc.**, Taipei (TW)

(**) Term: **14 Years**

(21) Appl. No.: **29/232,889**

(22) Filed: **Jun. 27, 2005**

(51) **LOC (8) Cl.** **13-03**

(52) **U.S. Cl.** **D13/147**

(58) **Field of Classification Search** D13/133,
D13/146-147, 154, 199; 439/79, 83, 108,
439/181, 607-610, 639

See application file for complete search history.

(56) **References Cited**

U.S. PATENT DOCUMENTS

D391,551 S	*	3/1998	Ono	D13/147
6,109,967 A	*	8/2000	Chiou	439/607
D465,457 S	*	11/2002	Hu et al.	D13/147
D466,082 S	*	11/2002	Hu et al.	D13/147

6,478,623 B1	*	11/2002	Wu	439/607
D482,332 S	*	11/2003	Zhang	D13/147
D491,145 S	*	6/2004	Hu et al.	D13/147
D509,192 S	*	9/2005	Chen	D13/147
2004/0018772 A1	*	1/2004	Zhang et al.	439/607
2004/0092143 A1	*	5/2004	Fromm et al.	439/108

* cited by examiner

Primary Examiner—Stella Reid
Assistant Examiner—Daniel Bui

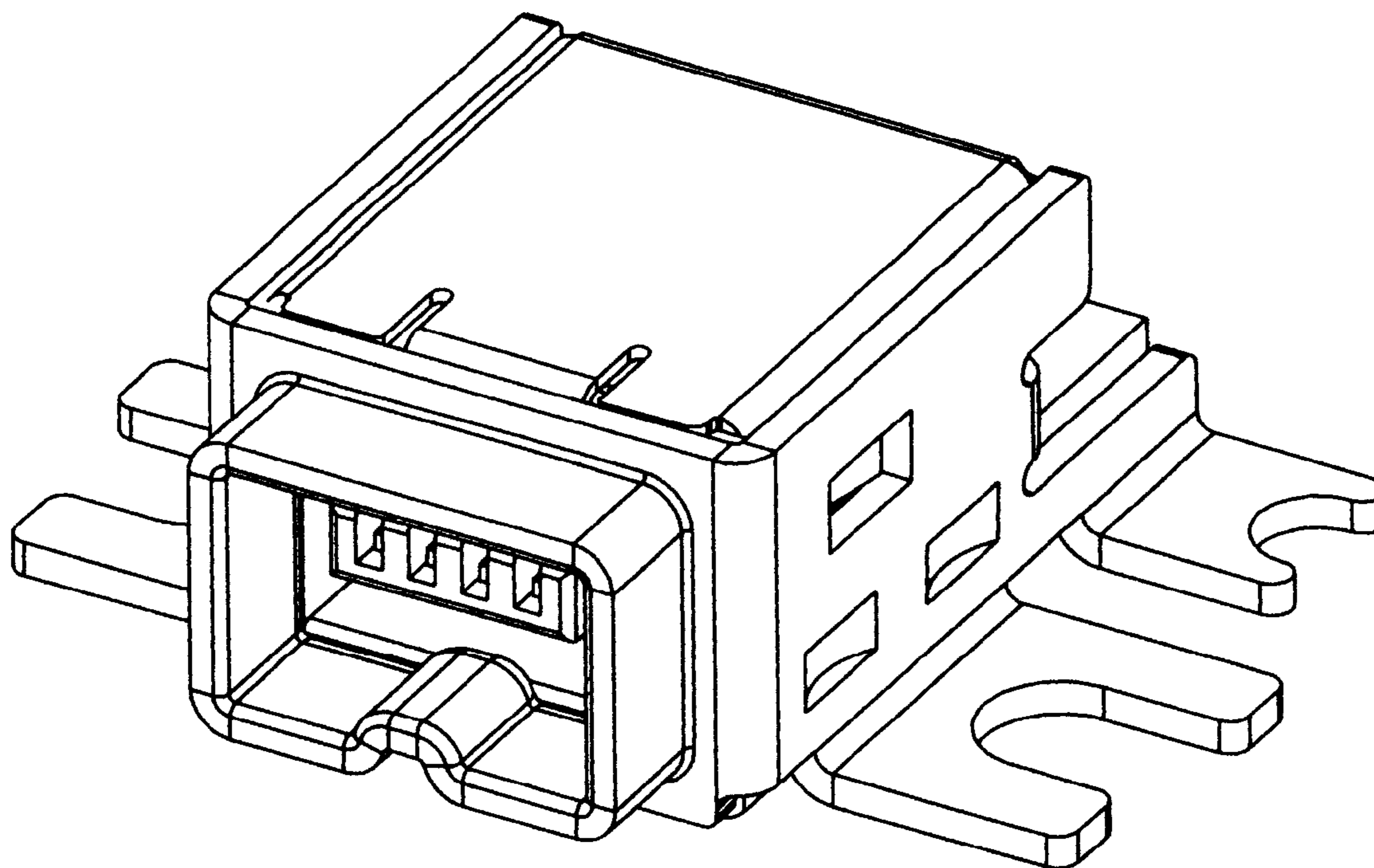
(57) **CLAIM**

The ornamental design for an electrical connector, as shown and described.

DESCRIPTION

FIG. 1 is an perspective view of a electrical connector showing our new design;
FIG. 2 is a front view thereof;
FIG. 3 is a rear view thereof;
FIG. 4 is a left view thereof;
FIG. 5 is a right view thereof;
FIG. 6 is a top view thereof; and,
FIG. 7 is a bottom view thereof.

1 Claim, 4 Drawing Sheets



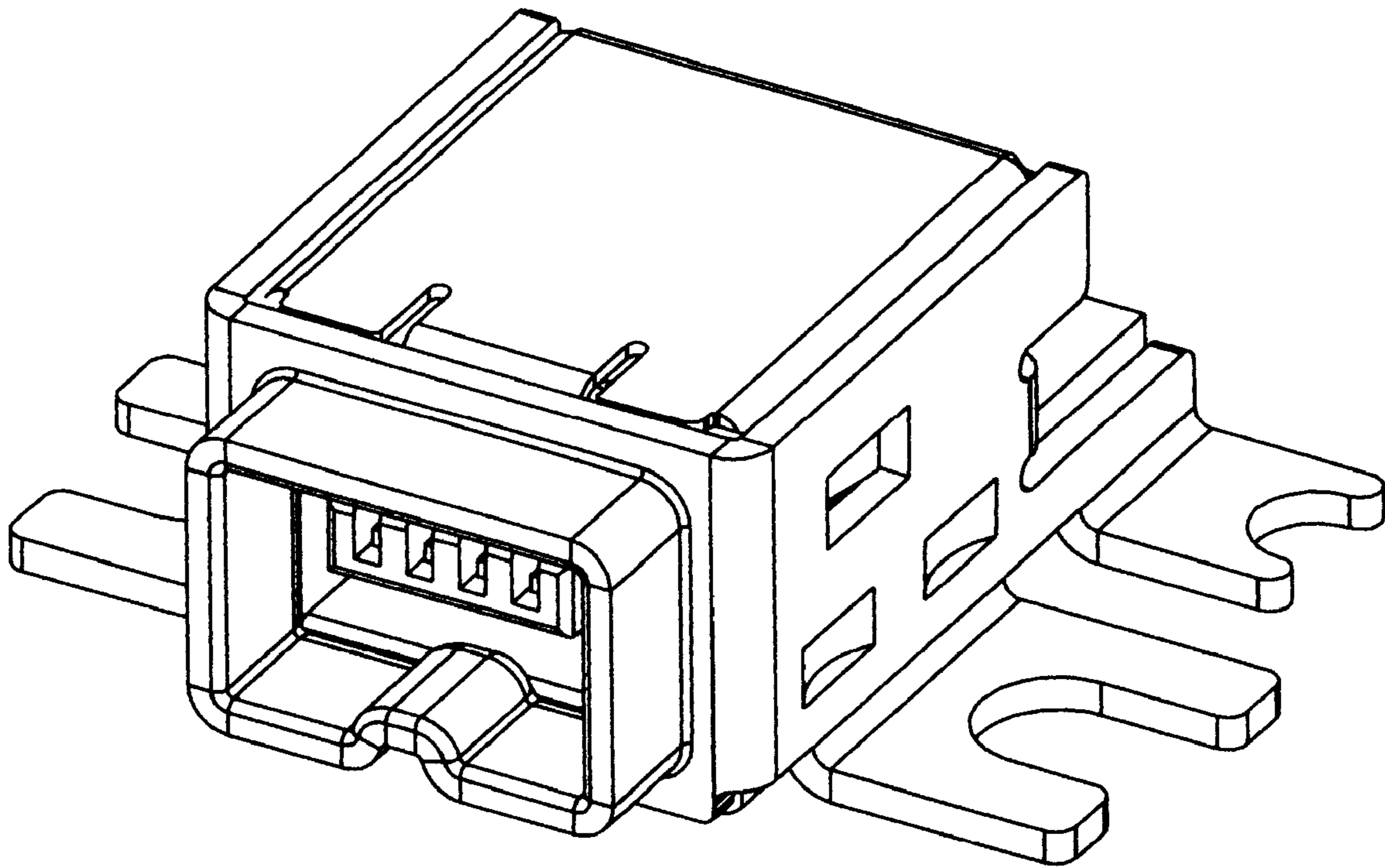


FIG.1

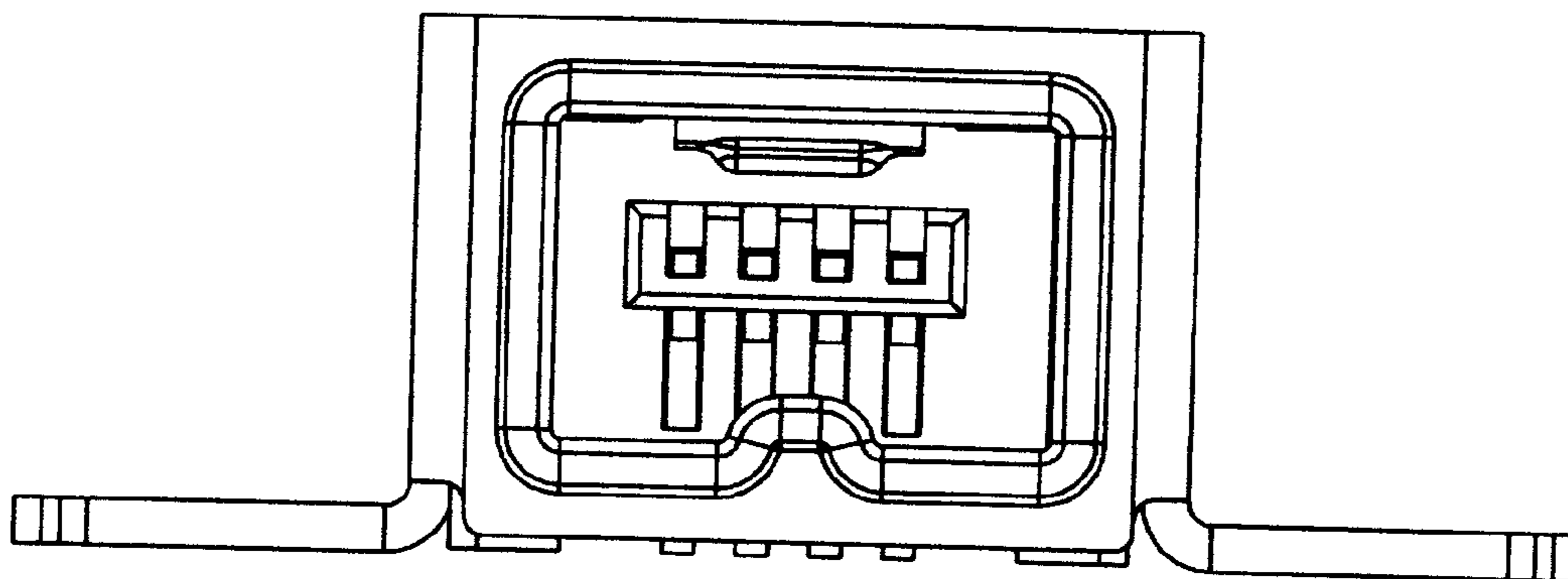


FIG. 2

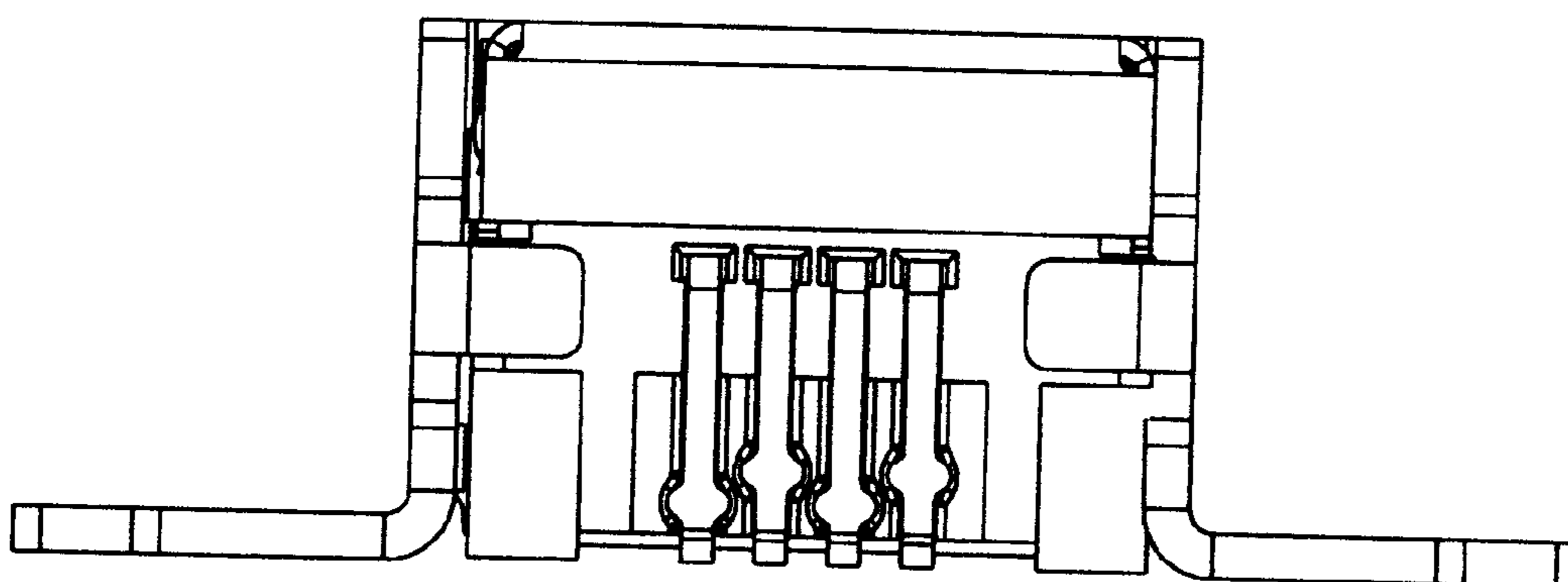


FIG. 3

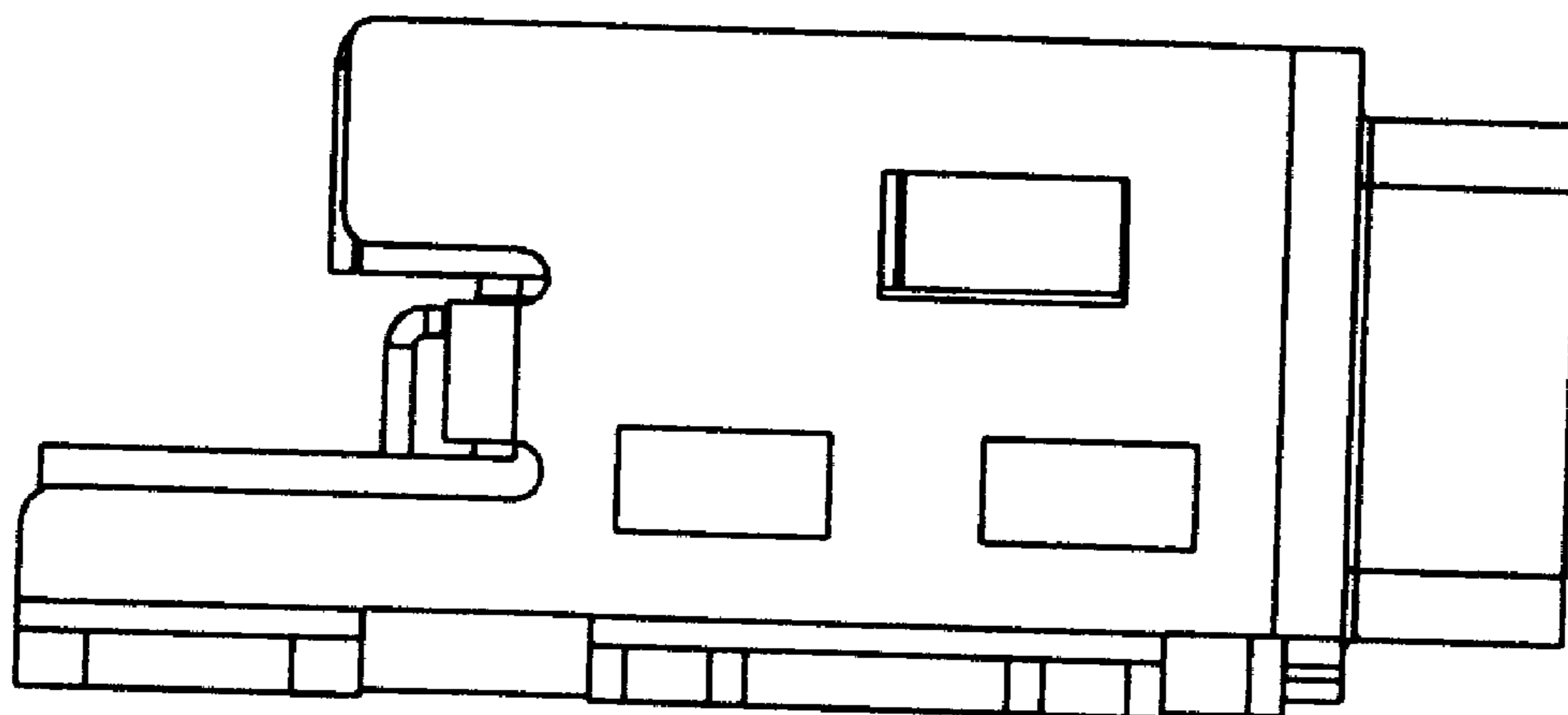


FIG. 4

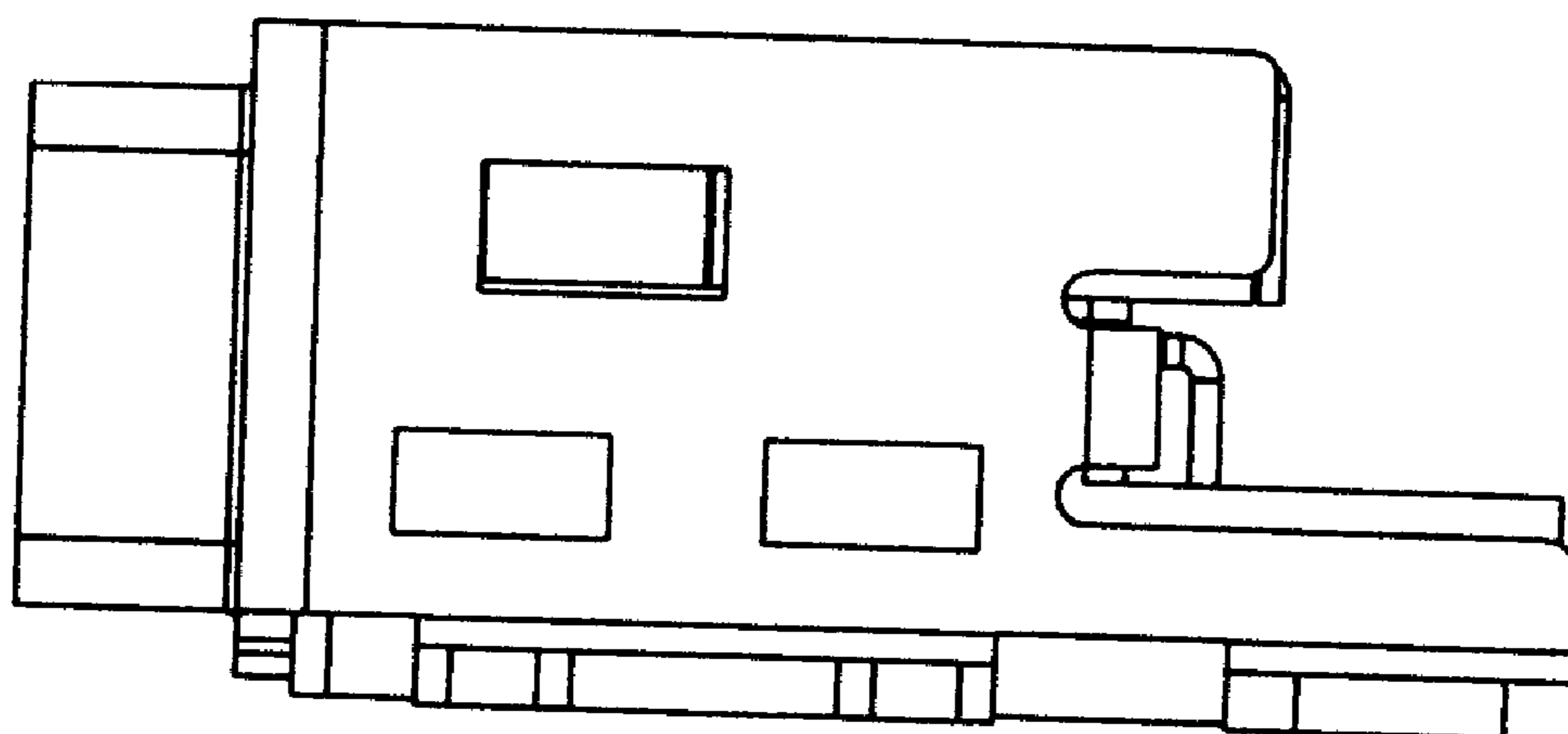


FIG. 5

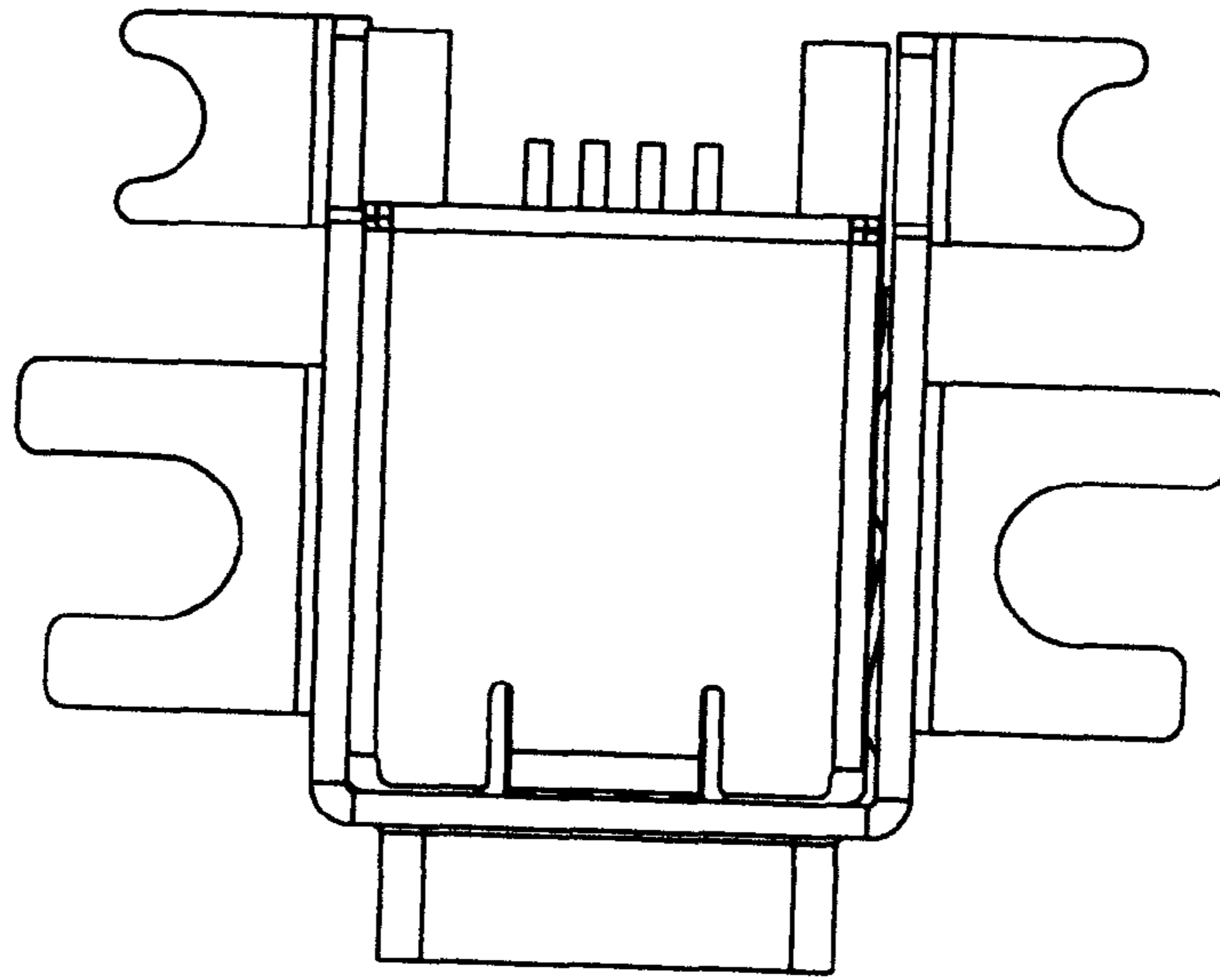


FIG. 6

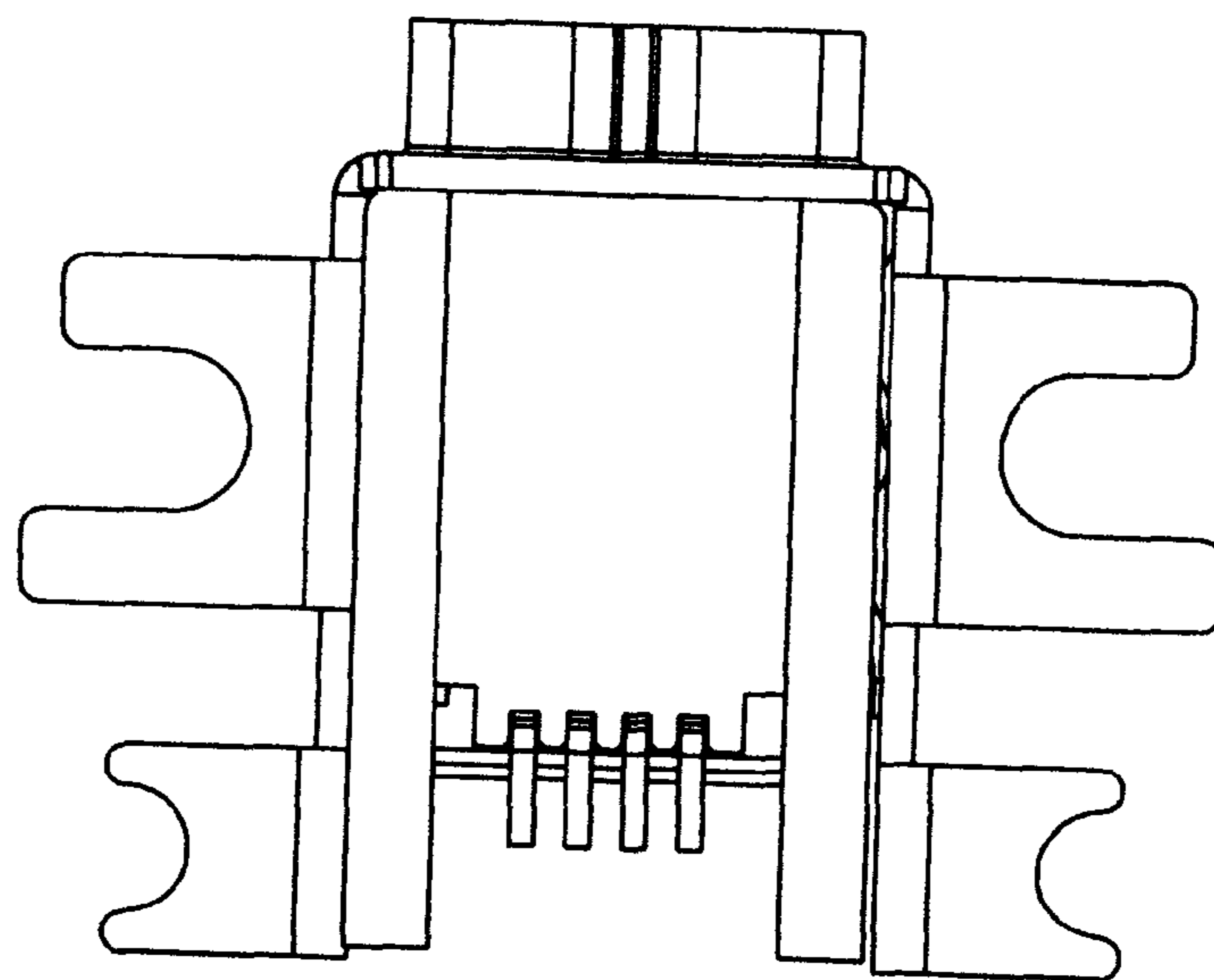


FIG. 7